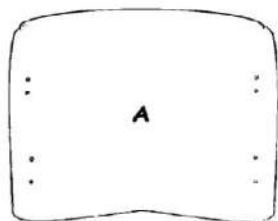
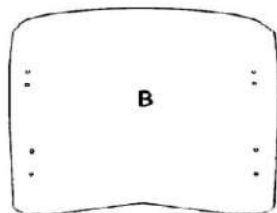


INSTALLATION INSTRUCTIONS

ELEMENTS



SIDE A - 1pcs



SIDE B - 1pcs

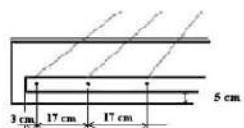
- screw cap - 16 pcs
- allen key - 1pcs
- Confirmat - 16 pcs
- screw 2,5x20x24 pcs
- screw 3,0x35x2 pcs
- screw 3,5x30x18 pcs

- Plastic batten rack overlay x 20 pcs (24 pcs model 160x80)
- support frame bar x 10 (12 pcs model 160x80)
- Bed side slats x 2 pcs
- connecting strip x 1pcs
- 2 pcs side C/D
- 1 pcs side panel
- side panel 1/2
- 1 pcs handle rail

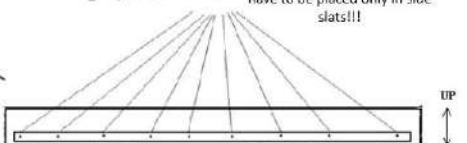
1

1A

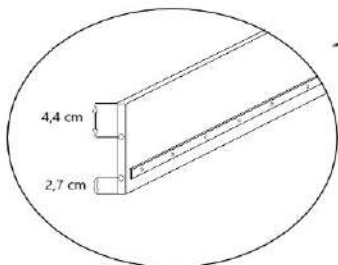
At first
Screw the side slats to the bed with screw No. 3 in 8 points (9 points model 160x80) keeping distances 17 cm (see figure 1A)



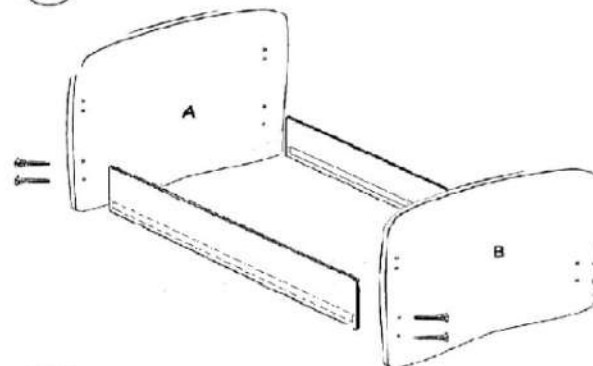
Warning!
Screw the side slats on the correct side (left / right). Be careful not to drill the sides of the bed: screws have to be placed only in side slats!!!



side C/D



2



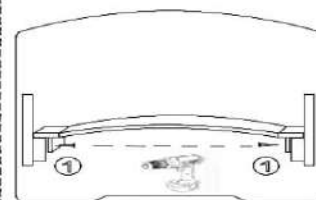
Twist bed sides with the back and front part of bed using Allen key and confirmats



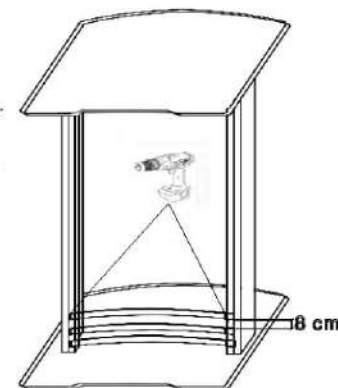
3



Connect support frame bar and 2 plastic batten rack overlays with screwdriver.

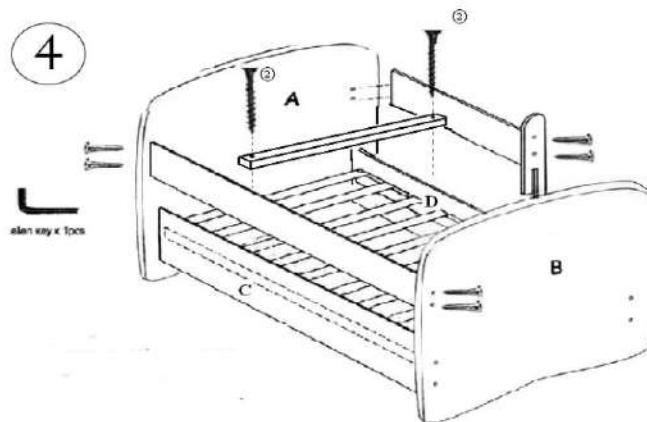


Then screw it into the side slats placed on the both sides of the bed.



18 cm

4



Twist the long side panel with two fronts of bed using Allen key and confirmats.

Finally, place a connecting strip in the middle of the bed and screw it into both sides of the bed using screws.