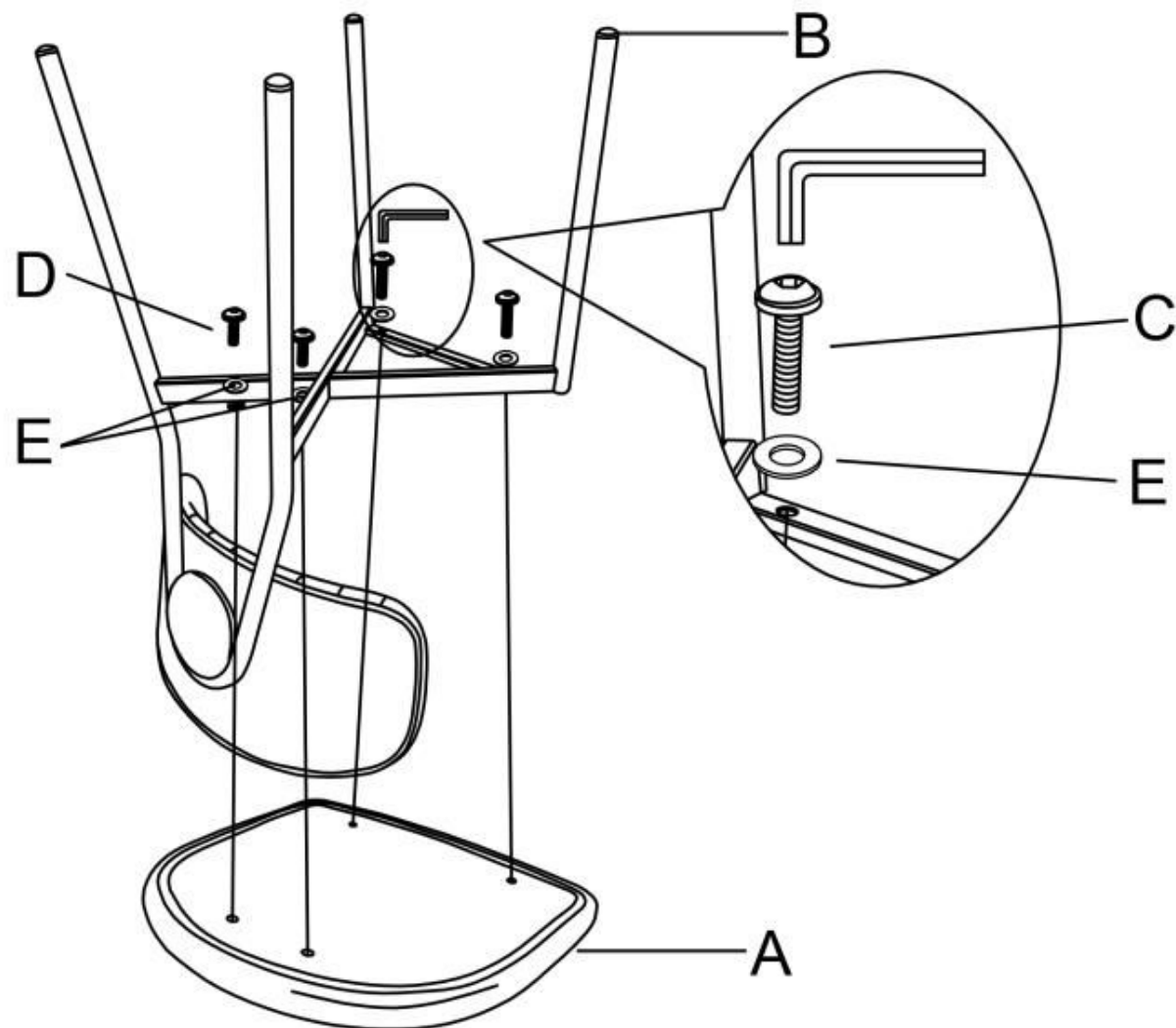
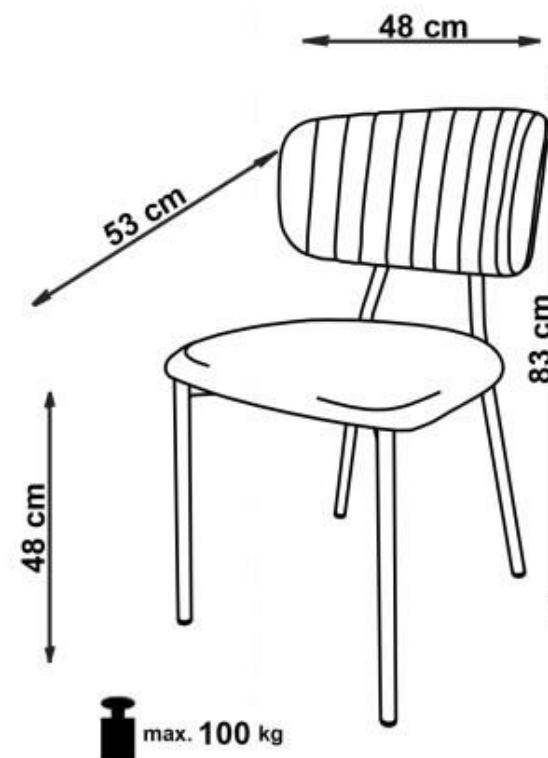


# K362



A		1
B		1
C		2
D		2
E		4



v.2