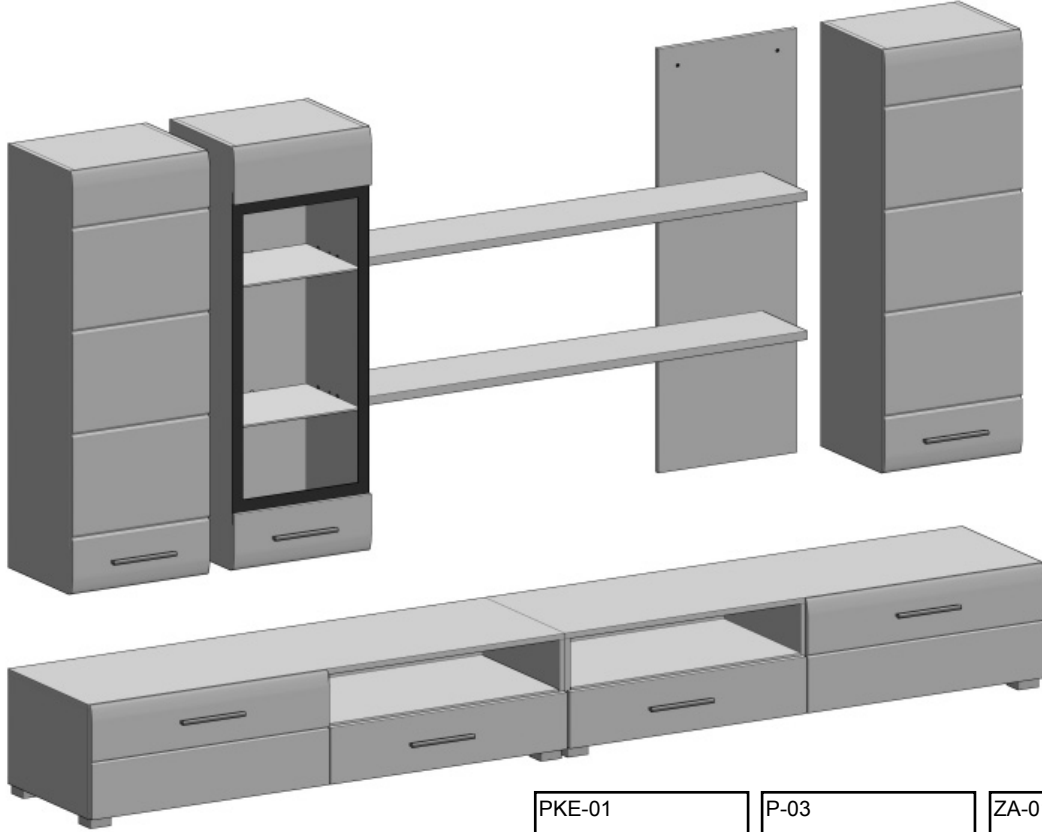
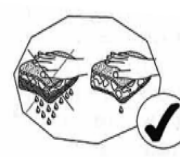
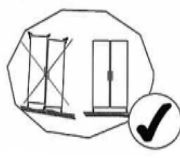
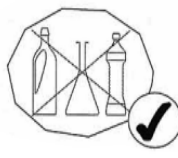
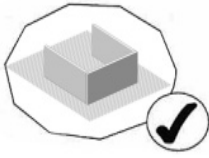


ELIZABETH

ELIZABETH 06062016

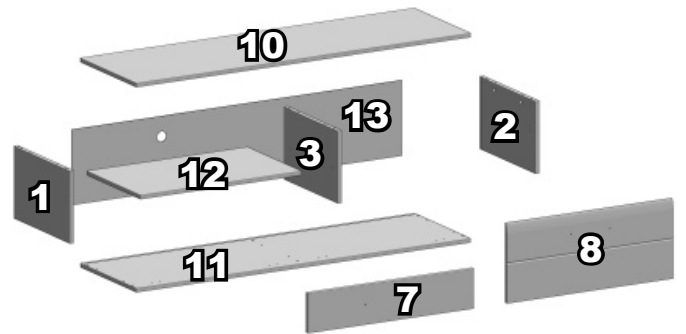
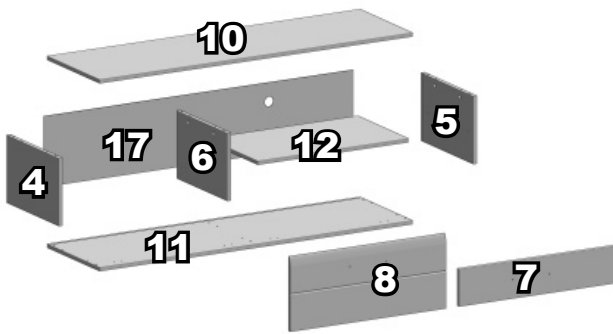
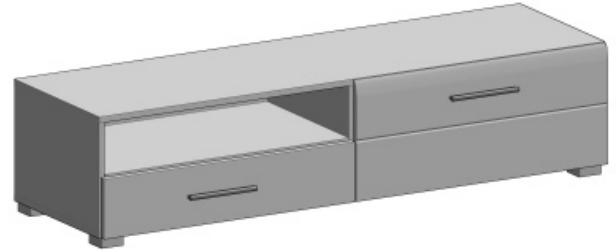
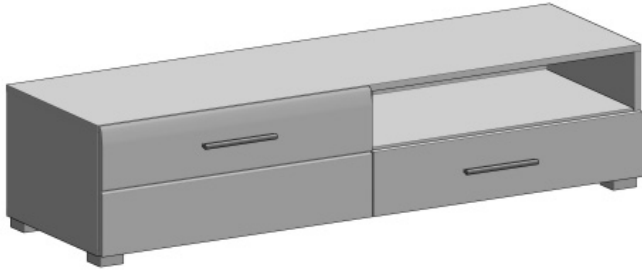


<p>PKE-01</p> <p>2x</p>	<p>P-03</p> <p>24x</p>	<p>ZA-01</p> <p>1x</p>
-------------------------	------------------------	------------------------

<p>K-01</p> <p>56x 8x30</p>	<p>T-01</p> <p>36x 20/ø6x11</p>	<p>M-01</p> <p>36x ø15x12</p>	<p>W-08</p> <p>32x 4x30</p>	<p>W-28</p> <p>14x 3,5x25</p>	<p>W-33</p> <p>4x 3,5x16</p>
<p>ZW-02</p> <p>14x</p>	<p>W-23</p> <p>28x 3,5x16</p>	<p>ZP-06</p> <p>14x</p>	<p>WE-01</p> <p>28x 6,3x13</p>	<p>ZM-01</p> <p>6x</p>	<p>WK-01</p> <p>16x 7/50</p>
<p>I-01</p> <p>1x</p>	<p>KM-01</p> <p>24x</p>	<p>KM-02</p> <p>8x</p>	<p>H-05</p> <p>2x L-200</p>	<p>TU-01</p> <p>4x</p>	<p>W-23</p> <p>8x 3,5x16</p>
<p>LKP-02</p> <p>36x</p>	<p>N-02</p> <p>10x 60x60x25</p>	<p>U-18</p> <p>7x 180/160</p>	<p>ZM-03</p> <p>2x</p>	<p>W-21</p> <p>4x 6x11</p>	

ELIZABETH

ELIZABETH 06062016

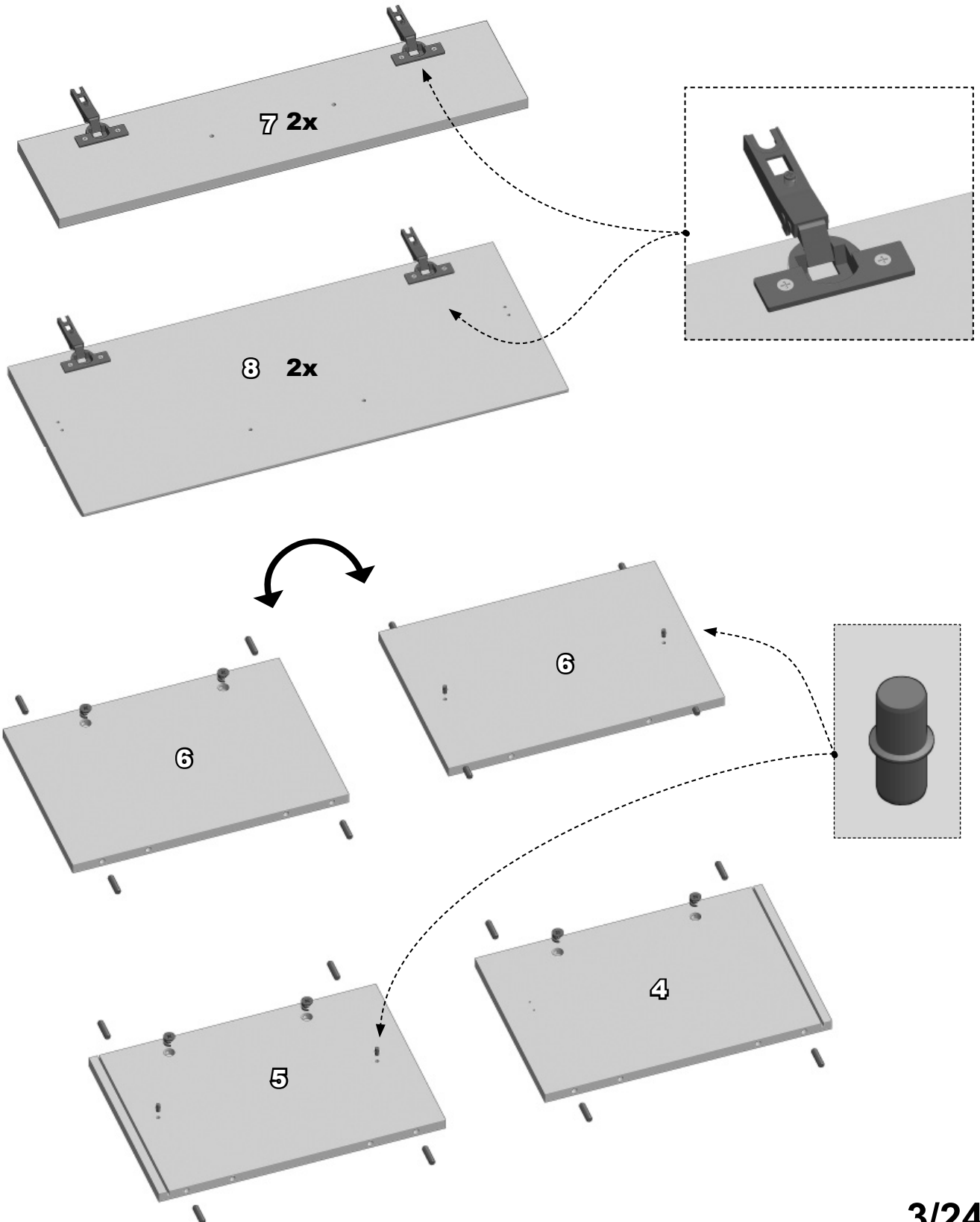
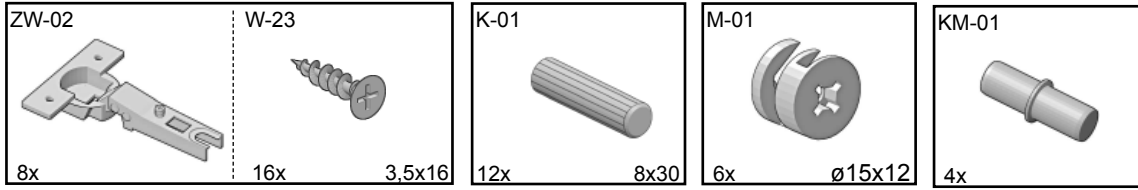


REP	DIM	QTE	package
4	268 x 400 x 15	1	1/4
5	268 x 400 x 15	1	1/4
6	268 x 385 x 15	1	1/4
7	686 x 147 x 16	1	1/4
8	686 x 294 x 16	1	1/4
10	1380 x 401 x 15	1	1/4
11	1380 x 401 x 15	1	1/4
12	667 x 384 x 15	1	1/4
17	1359 x 279 x 2,5	1	1/4

REP	DIM	QTE	package
1	268 x 400 x 15	1	2/4
2	268 x 400 x 15	1	2/4
3	268 x 385 x 15	1	2/4
7	686 x 147 x 16	1	2/4
8	686 x 294 x 16	1	2/4
10	1380 x 401 x 15	1	2/4
11	1380 x 401 x 15	1	2/4
12	667 x 384 x 15	1	2/4
13	1359 x 279 x 2,5	1	2/4

ELIZABETH

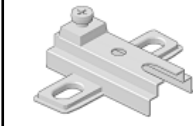
ELIZABETH 06062016



ELIZABETH

ELIZABETH 06062016

ZP-06



8x

WE-01



16x

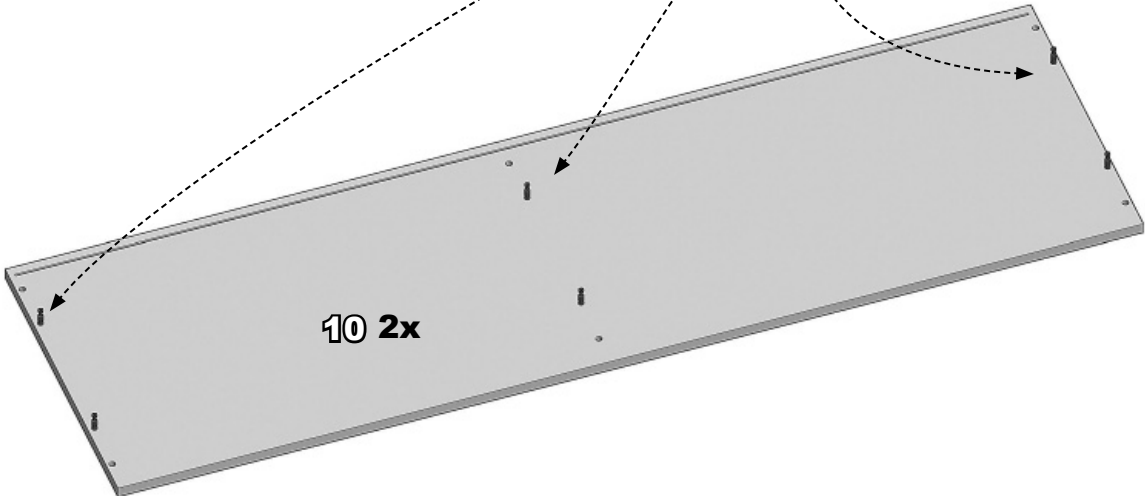
6.3x13

T-01

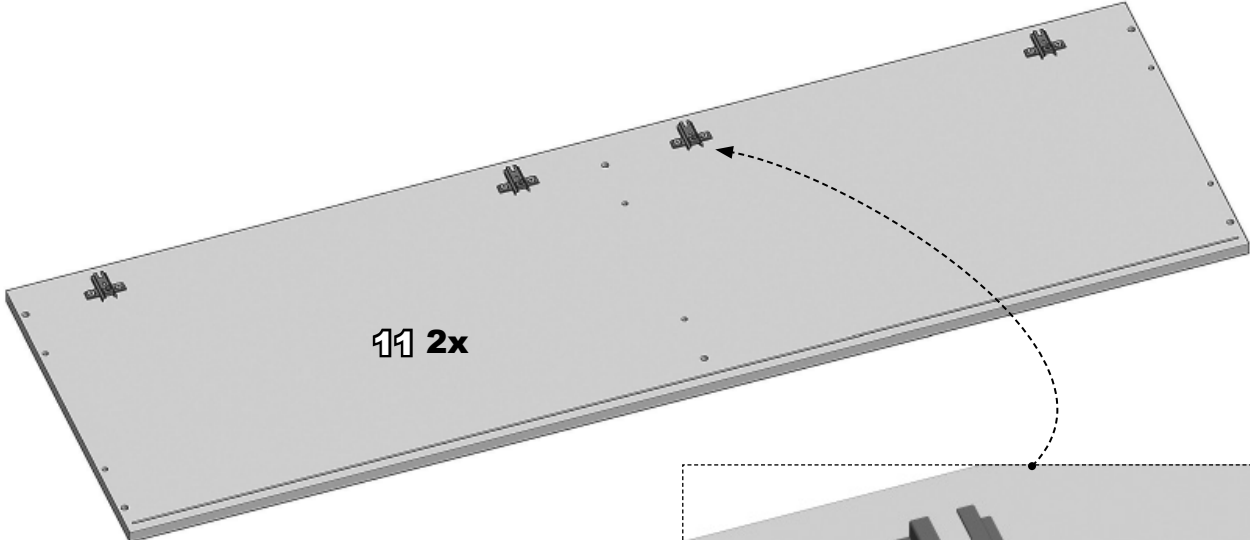


12x

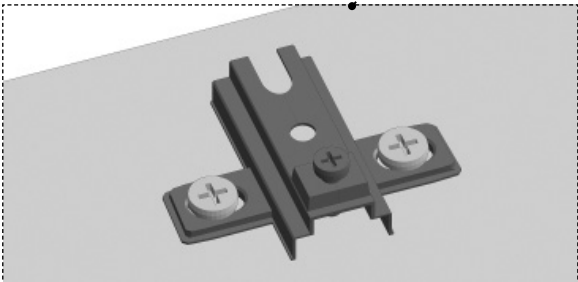
20/ø6x11



10 2x

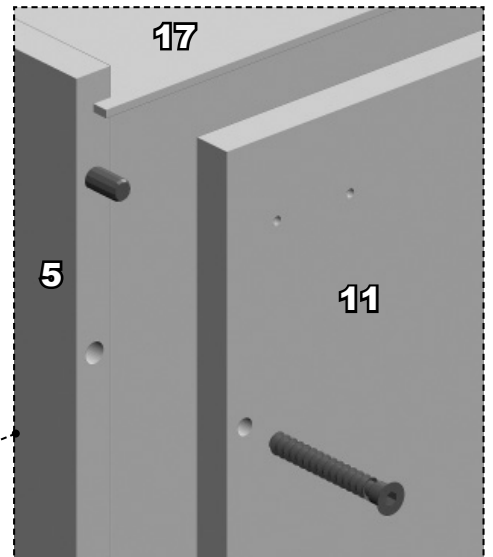
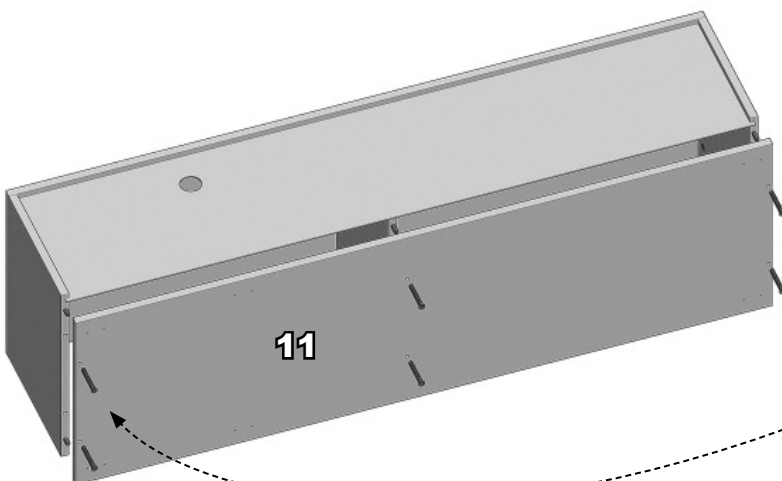
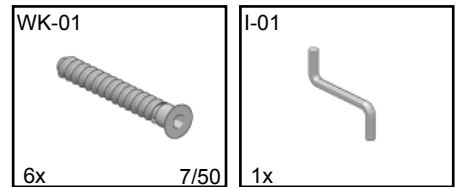
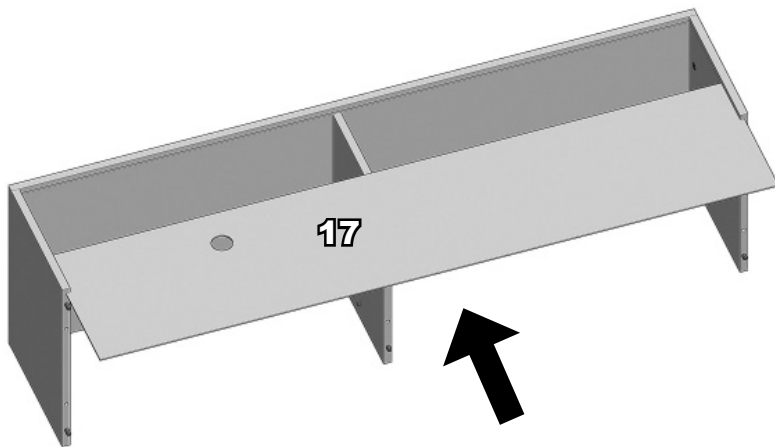
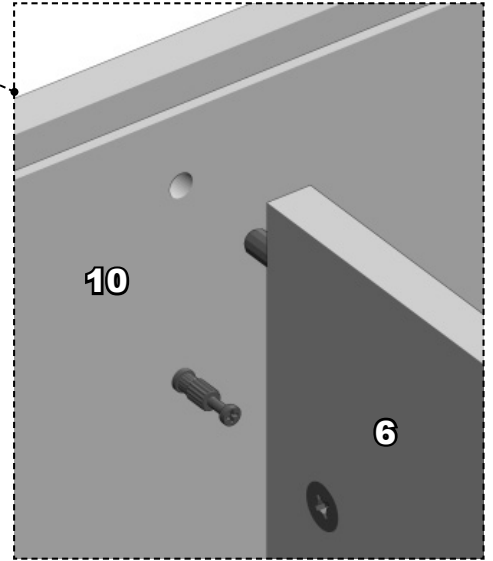
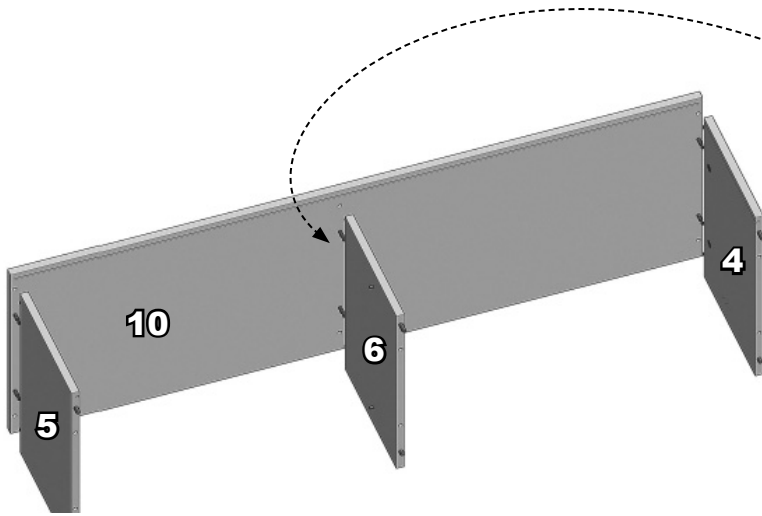


11 2x



ELIZABETH

ELIZABETH 06062016



ELIZABETH

ELIZABETH 06062016

W-08



10x

4x30

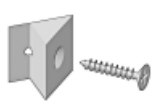
N-02



5x

60x60x25

LKP-02

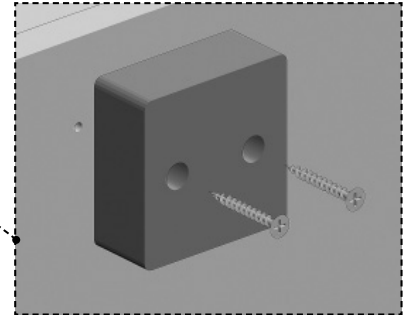
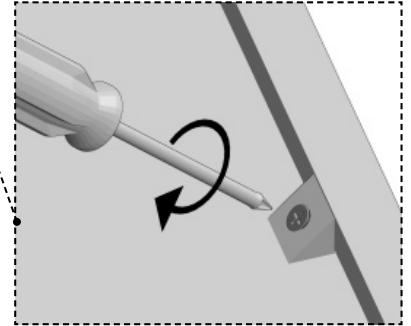
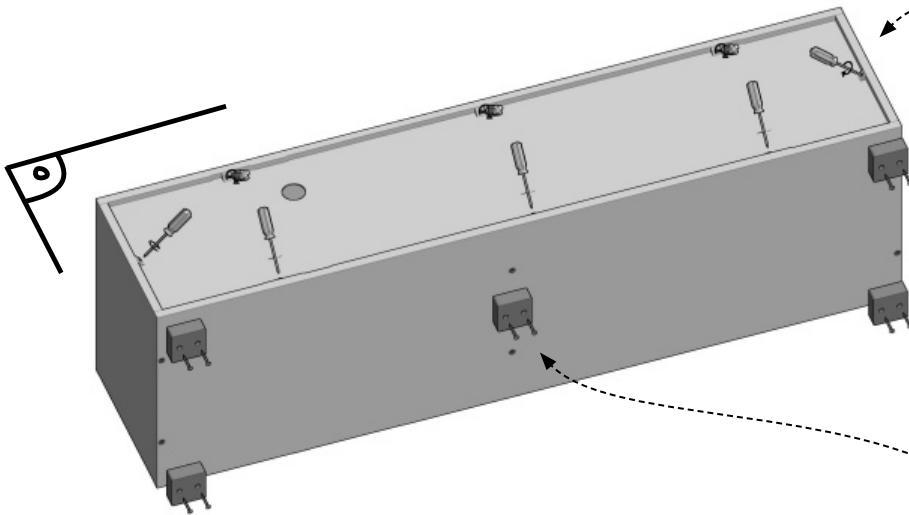


8x

PKE-01



1x



H-05



1x

L-200

W-23



4x

3.5x16

U-18



2x

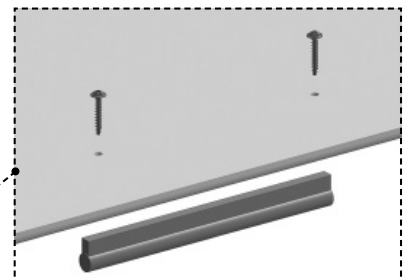
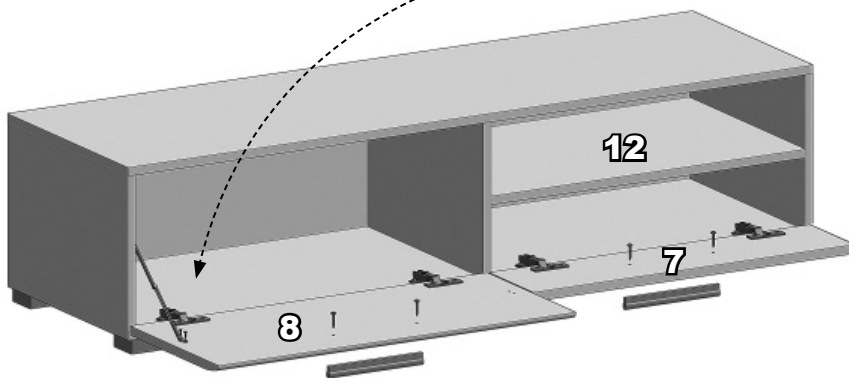
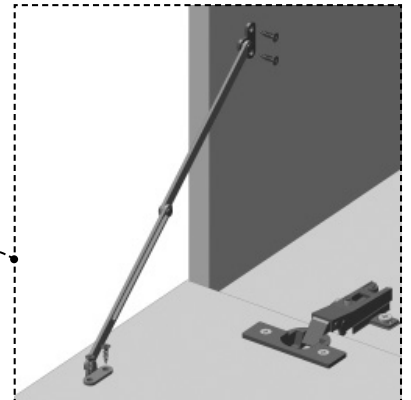
180/160

W-28



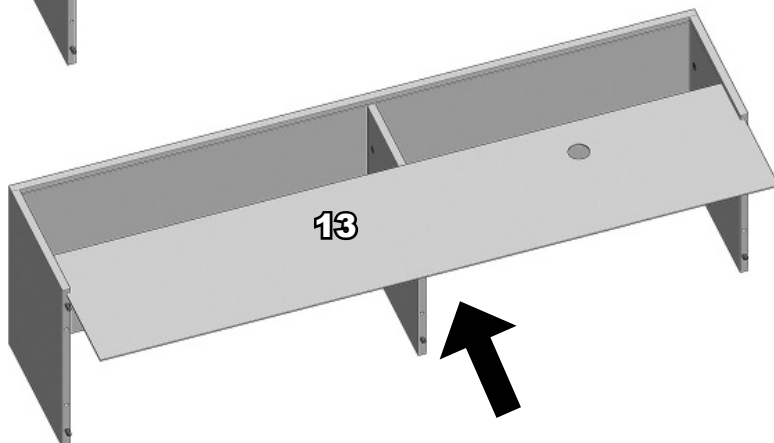
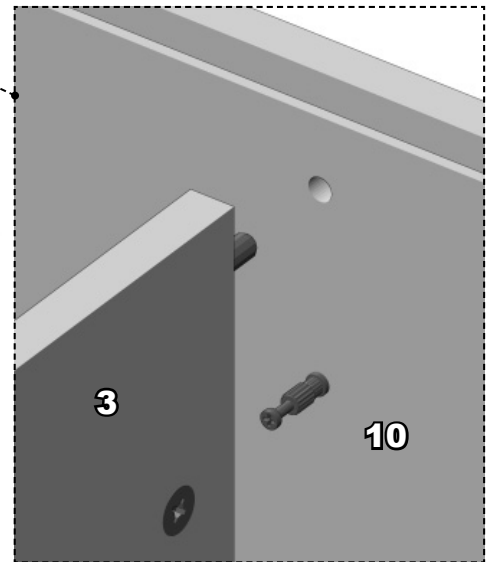
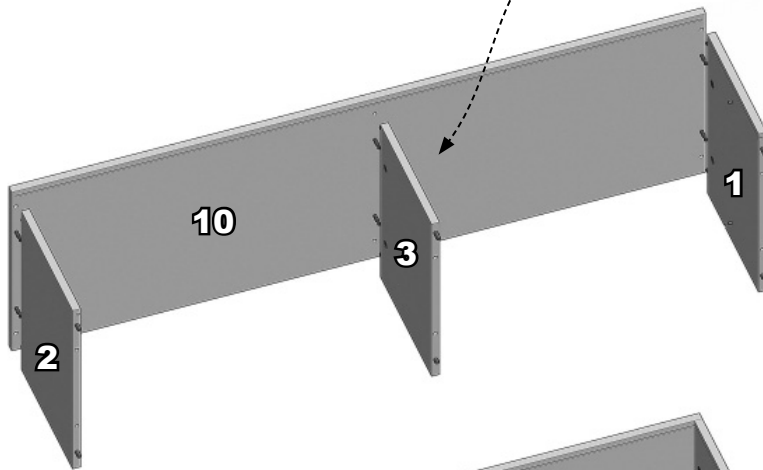
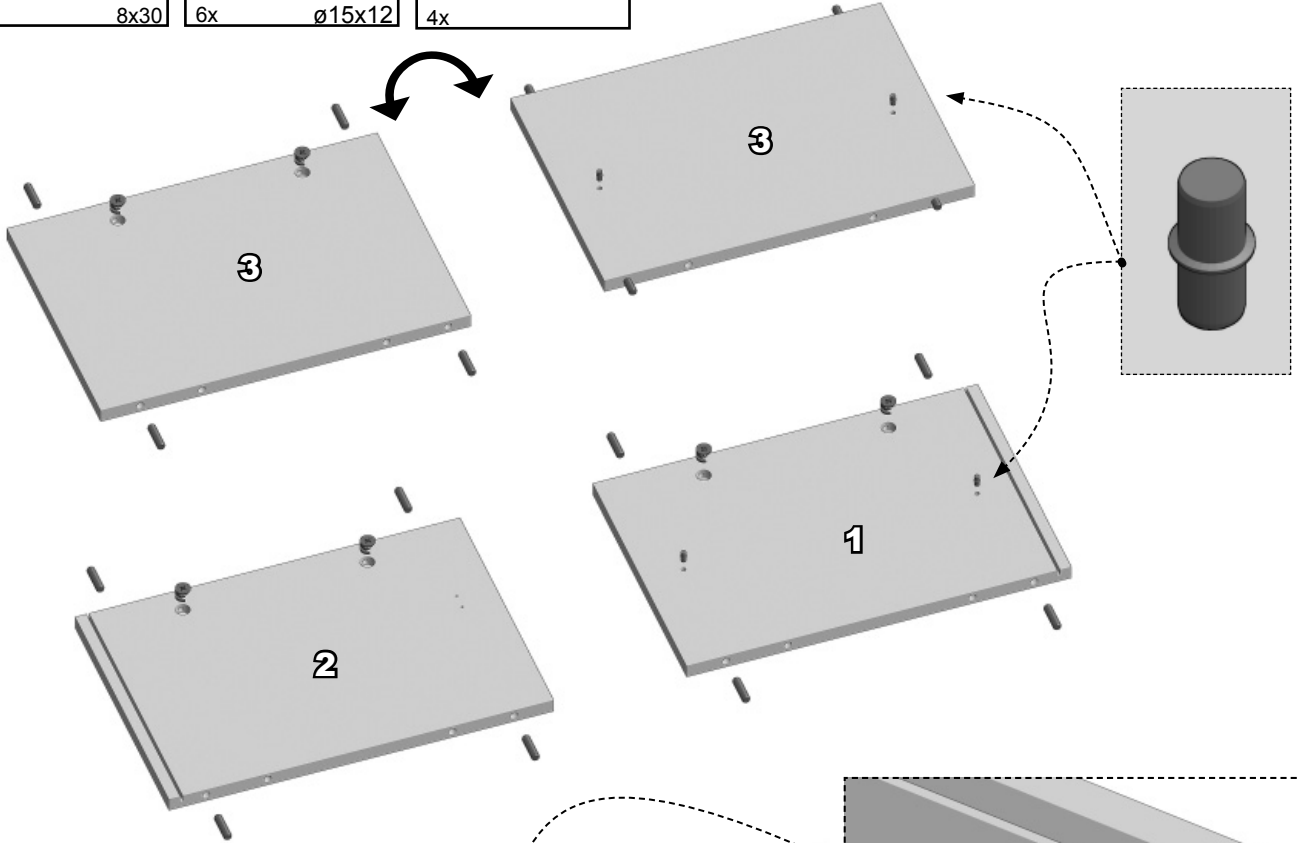
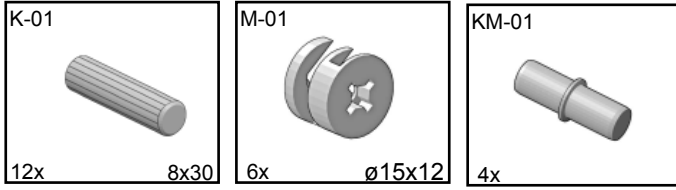
4x

3.5x25



ELIZABETH

ELIZABETH 06062016



ELIZABETH

ELIZABETH 06062016

WK-01



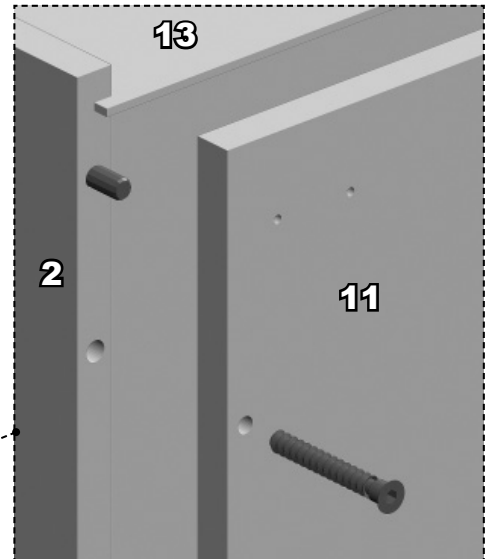
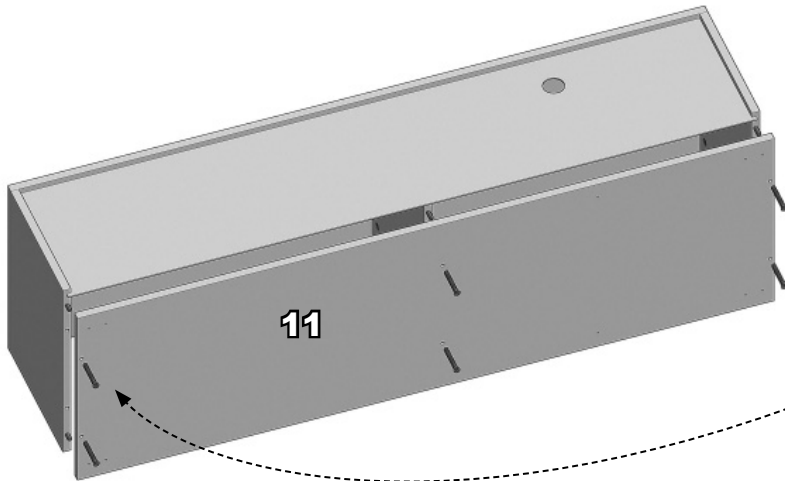
6x

7/50

I-01



1x



W-08



10x

4x30

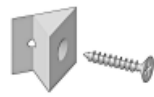
N-02



5x

60x60x25

LKP-02

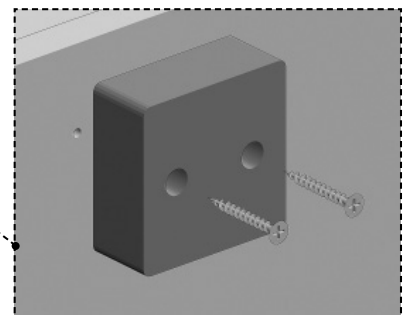
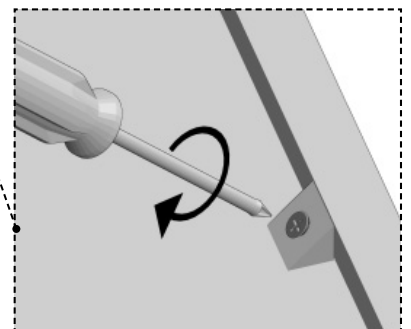
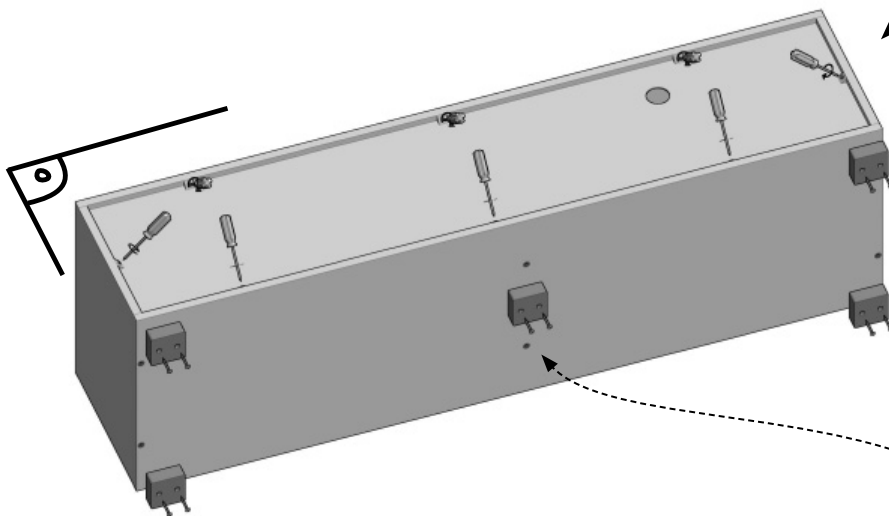


8x

PKE-01

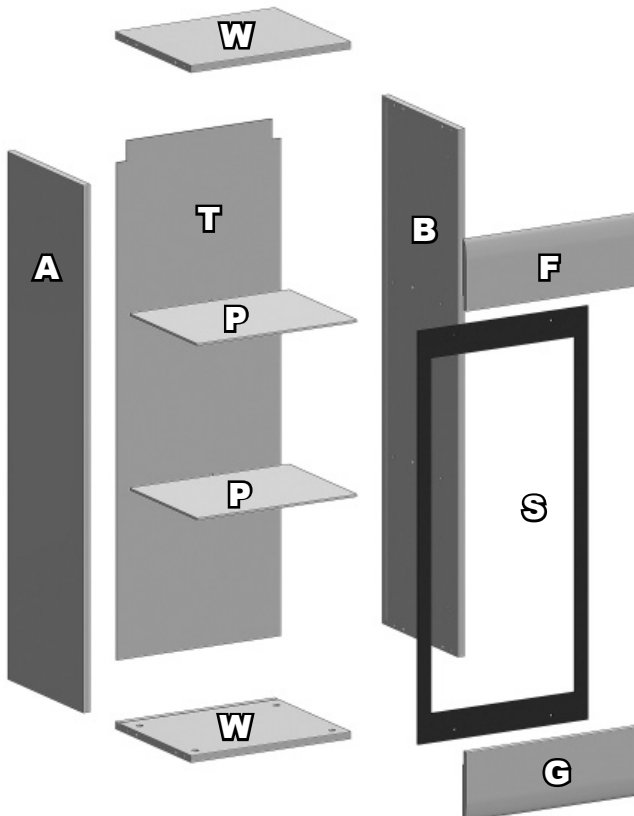
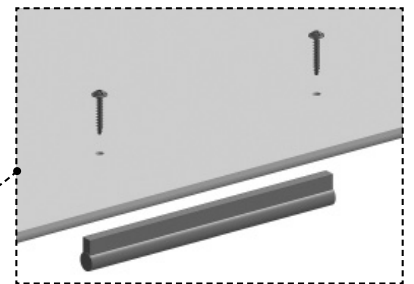
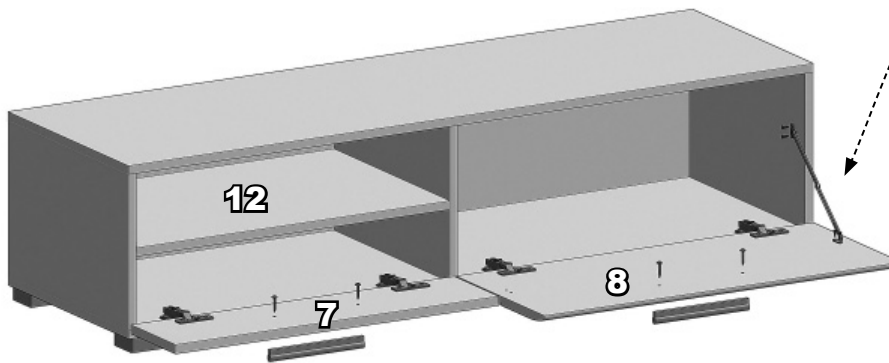
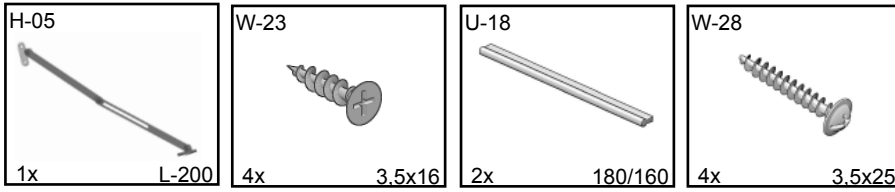


1x



ELIZABETH

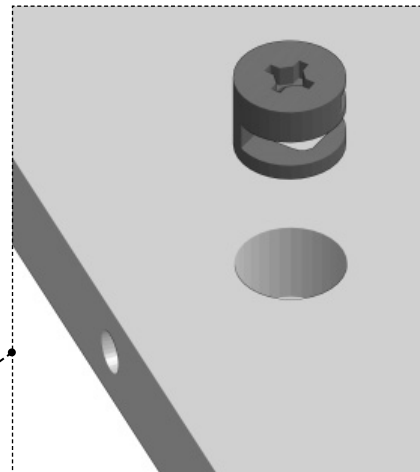
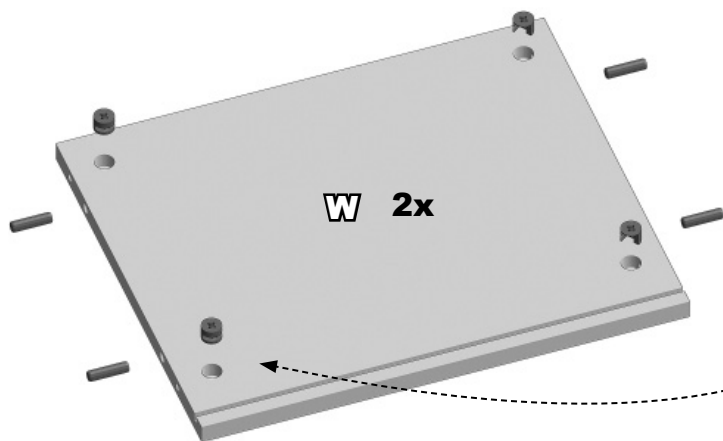
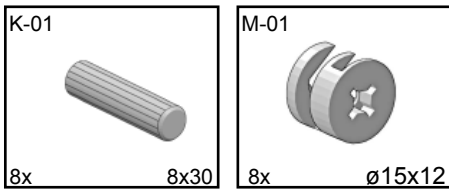
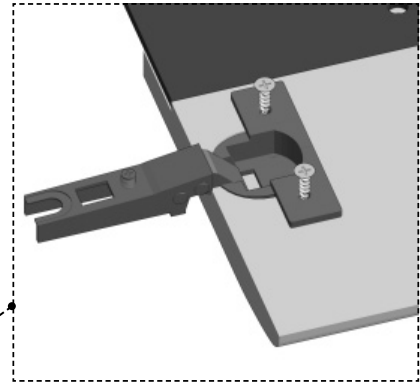
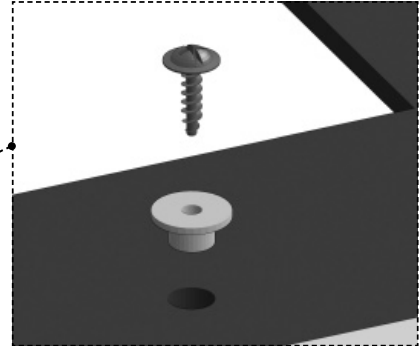
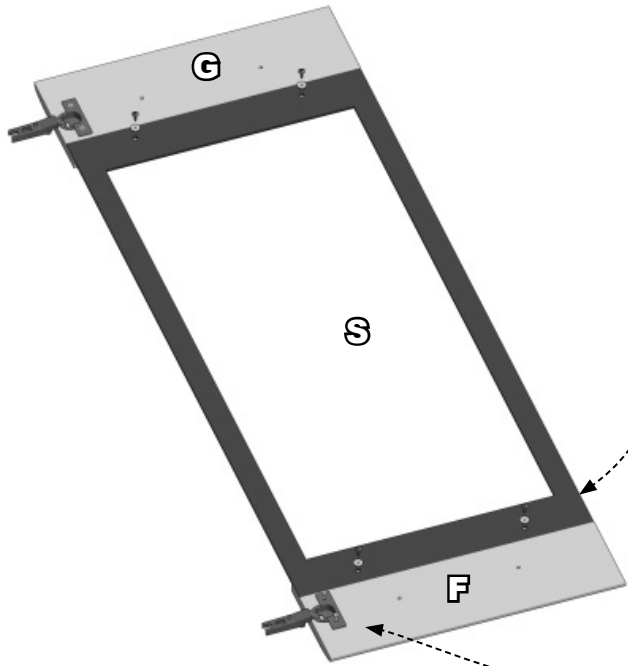
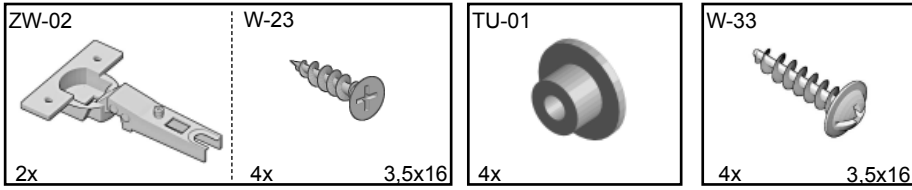
ELIZABETH 06062016



REP	DIM	QTE	package
A	1100 x 305 x 15	1	4/4
B	1100 x 305 x 15	1	4/4
F	396 x 147 x 16	1	4/4
G	396 x 147 x 16	1	4/4
S	862 x 395 x 4	1	4/4
P	370 x 270 x 5	2	4/4
T	1080 x 381 x 2,5	1	4/4
W	370 x 304 x 15	2	4/4

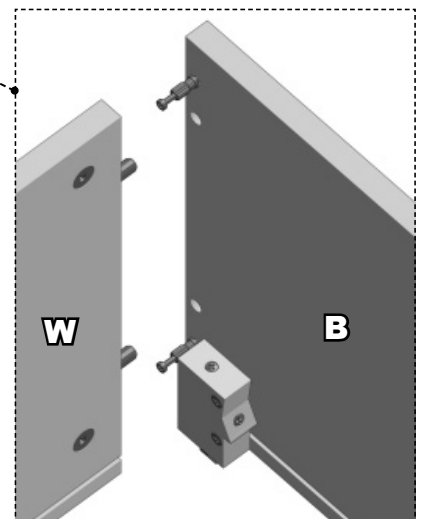
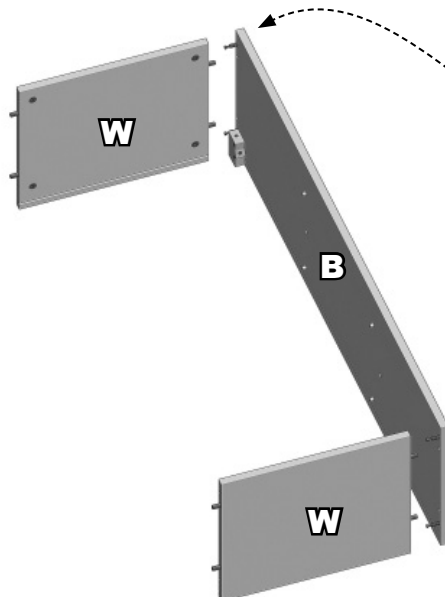
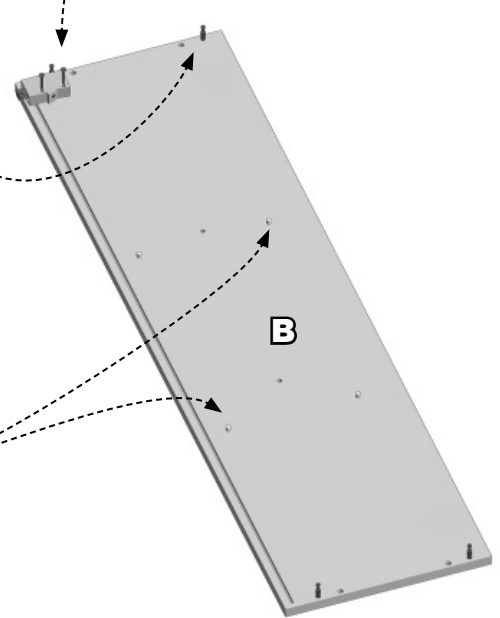
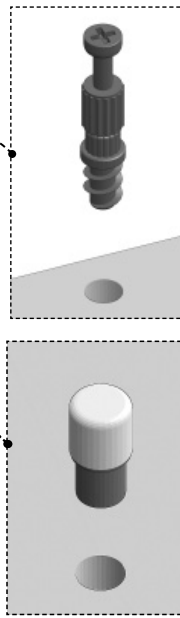
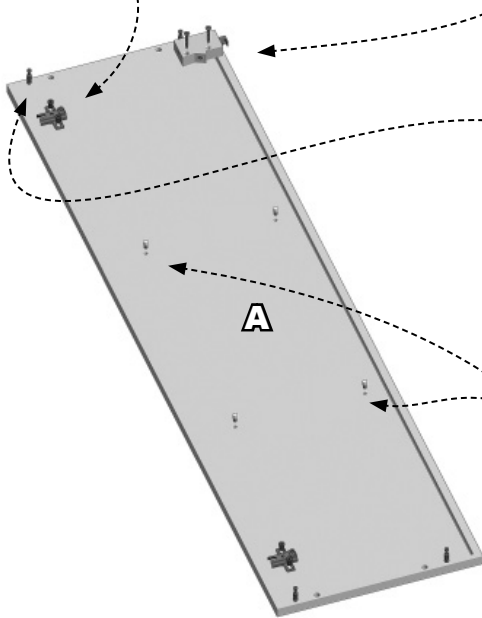
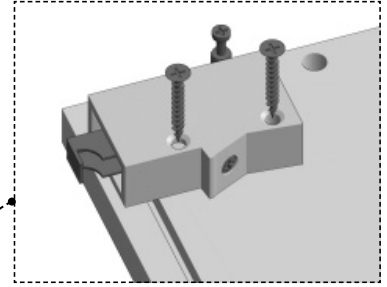
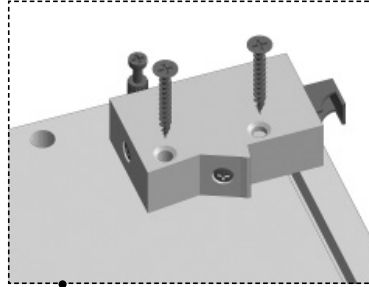
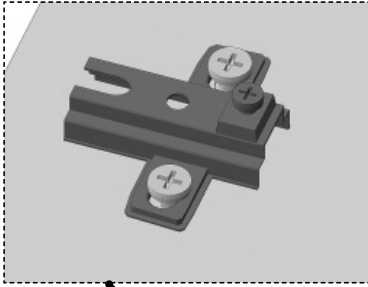
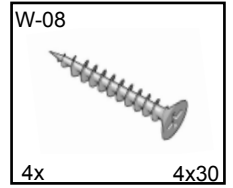
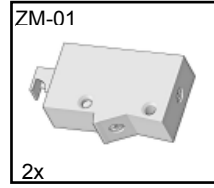
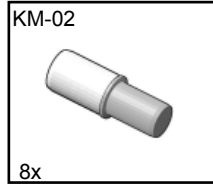
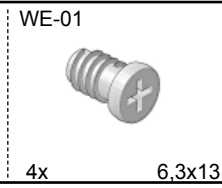
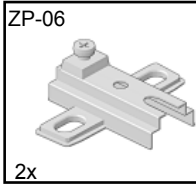
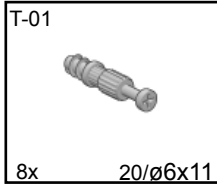
ELIZABETH

ELIZABETH 06062016



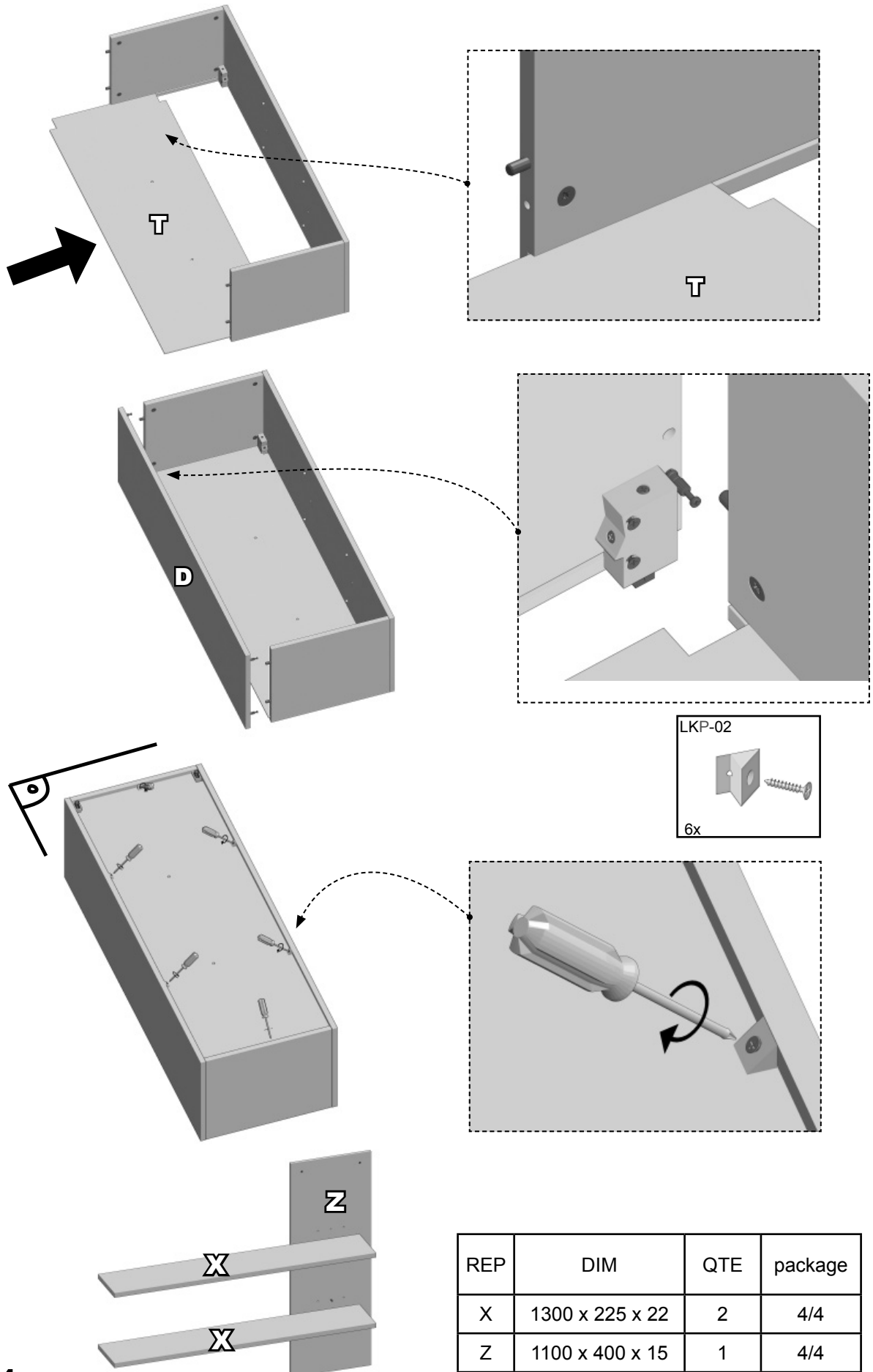
ELIZABETH

ELIZABETH 06062016



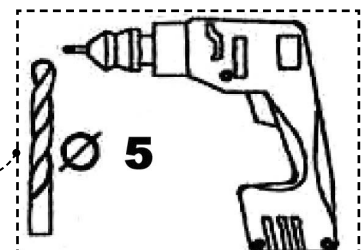
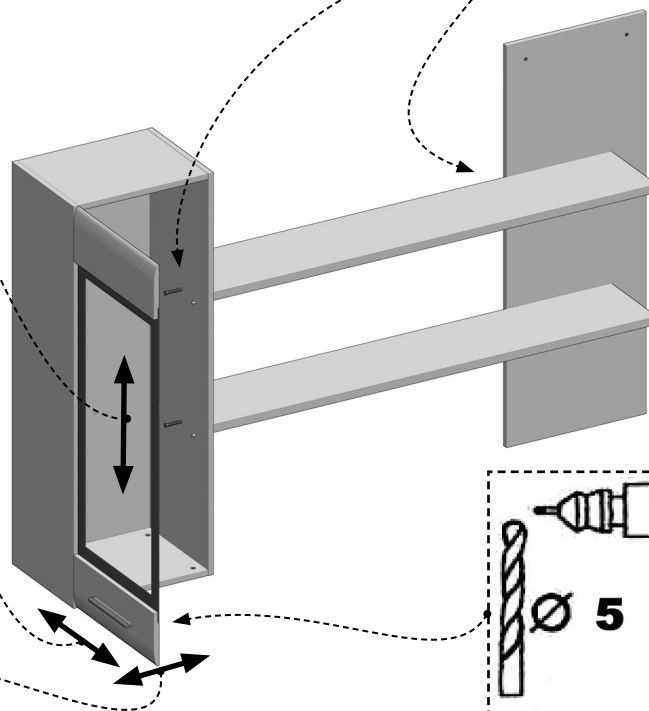
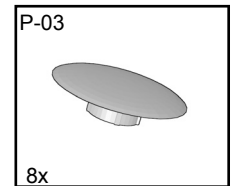
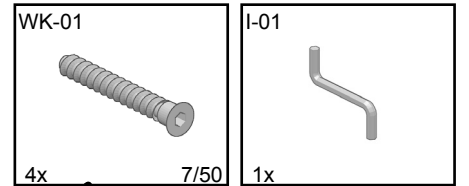
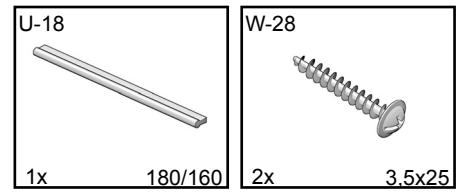
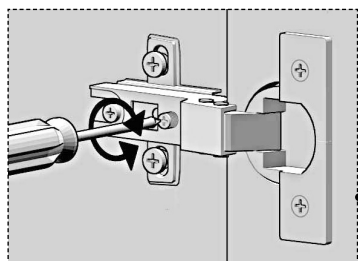
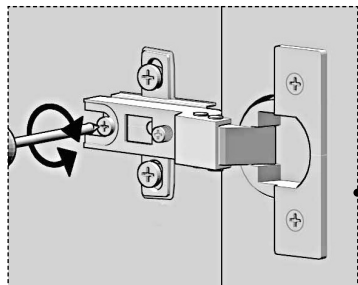
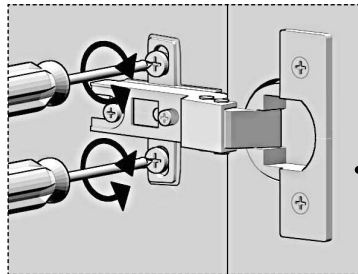
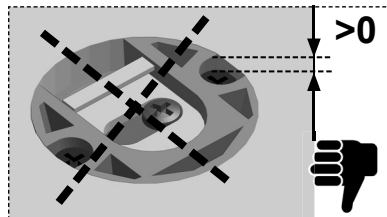
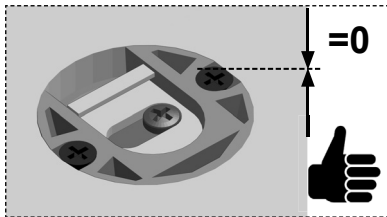
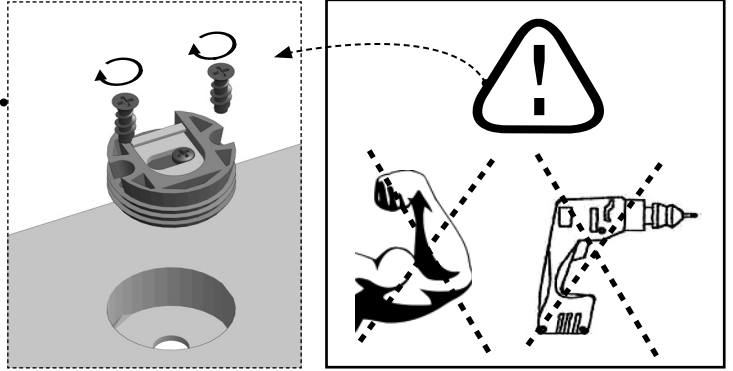
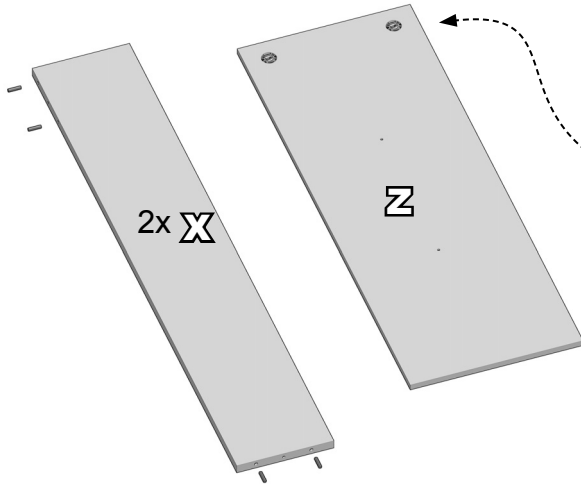
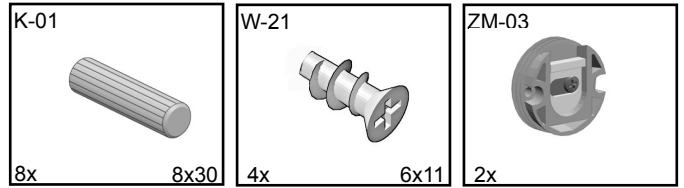
ELIZABETH

ELIZABETH 06062016



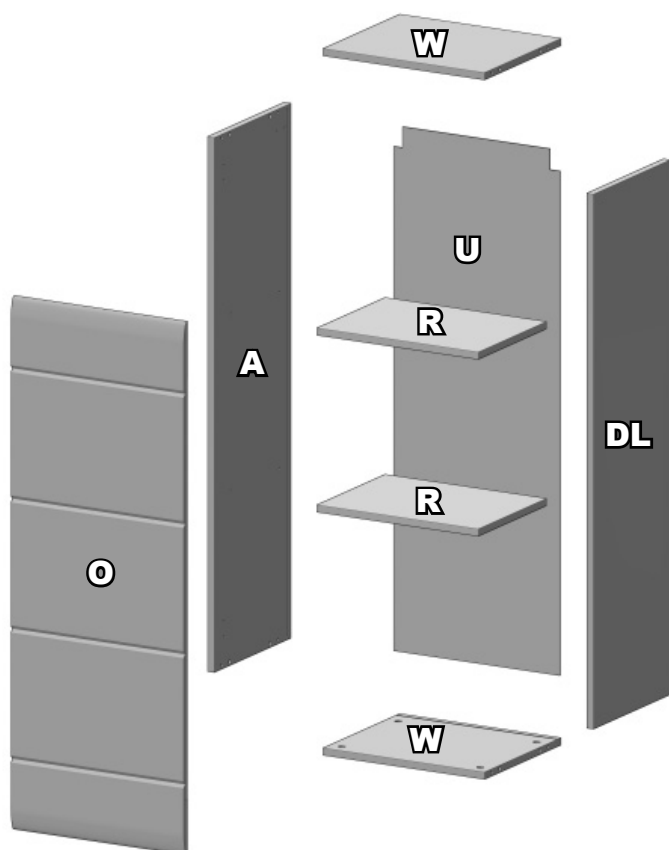
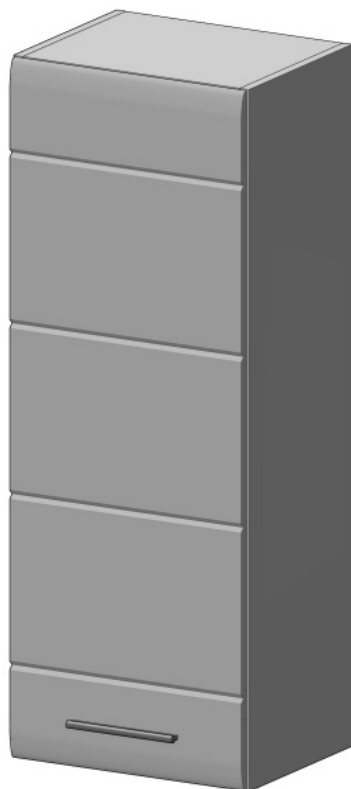
ELIZABETH

ELIZABETH 06062016



ELIZABETH

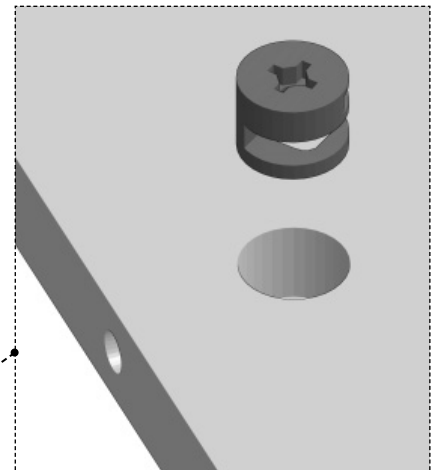
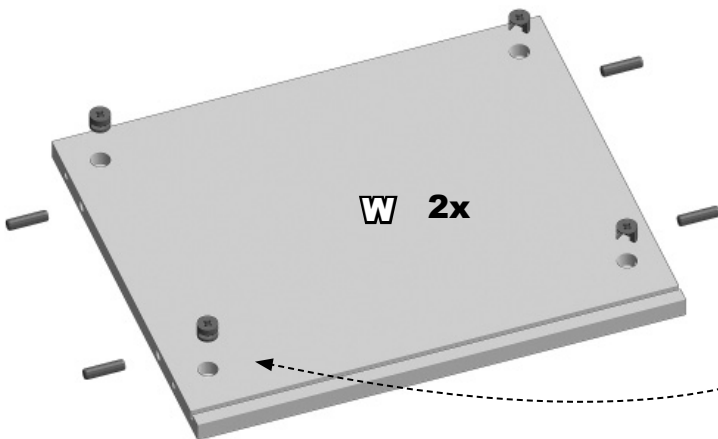
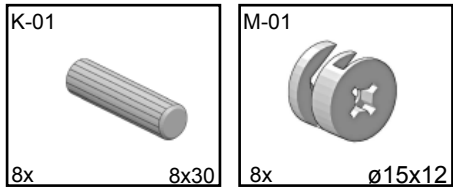
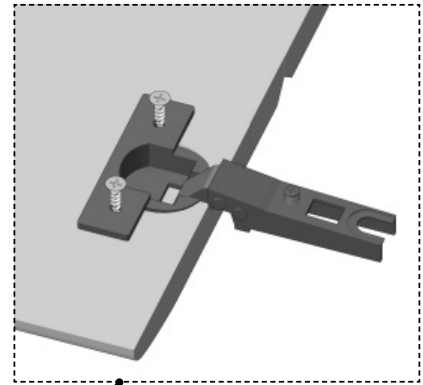
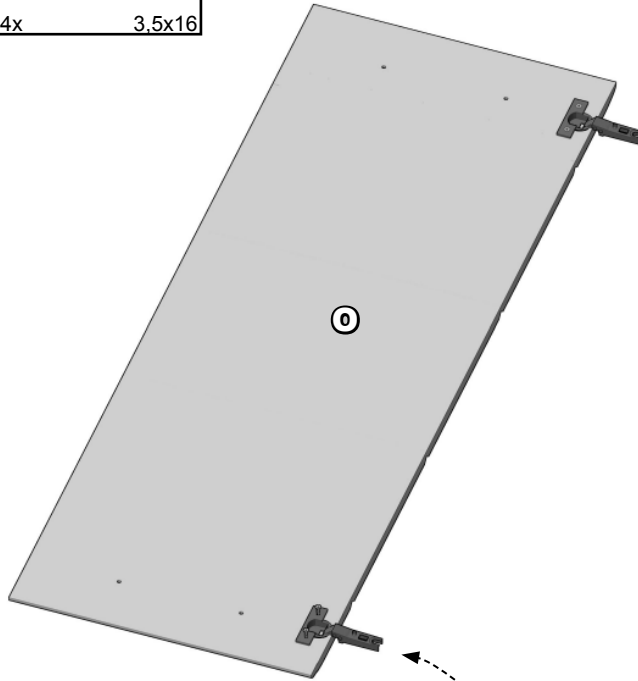
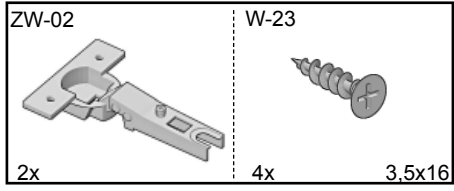
ELIZABETH 06062016



REP	DIM	QTE	package
A	1100 x 305 x 15	1	3/4
DL	1100 x 305 x 15	1	3/4
O	1096 x 396 x 16	1	3/4
R	370 x 270 x 15	2	4/4
U	1080 x 381 x 2,5	1	3/4
W	370 x 304 x 15	2	3/4

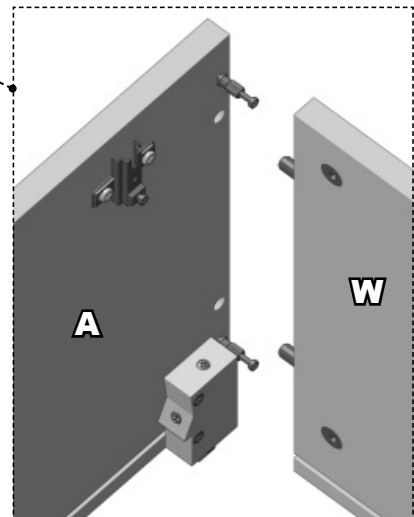
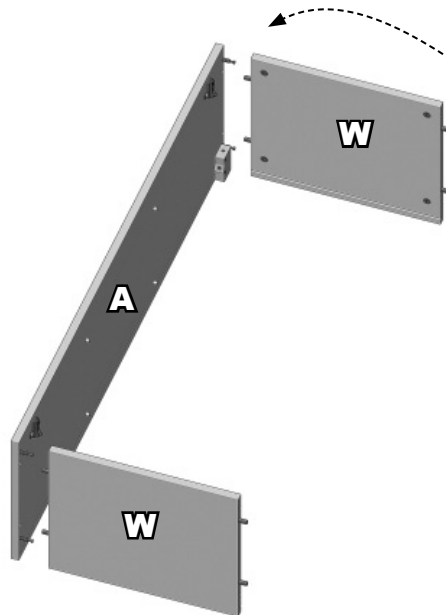
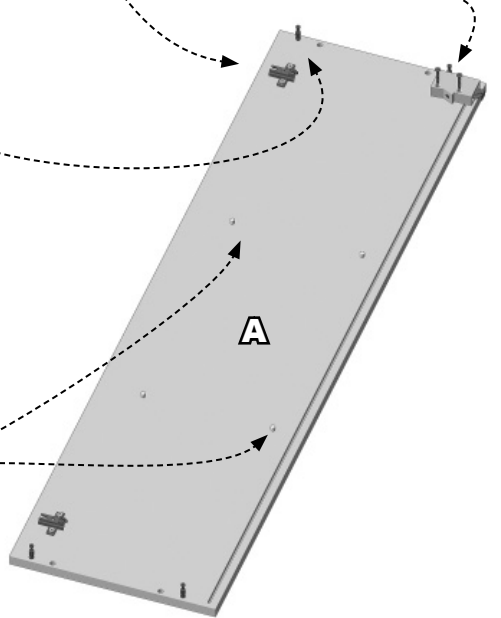
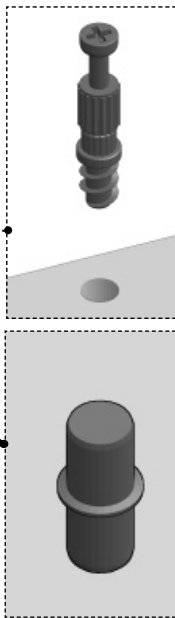
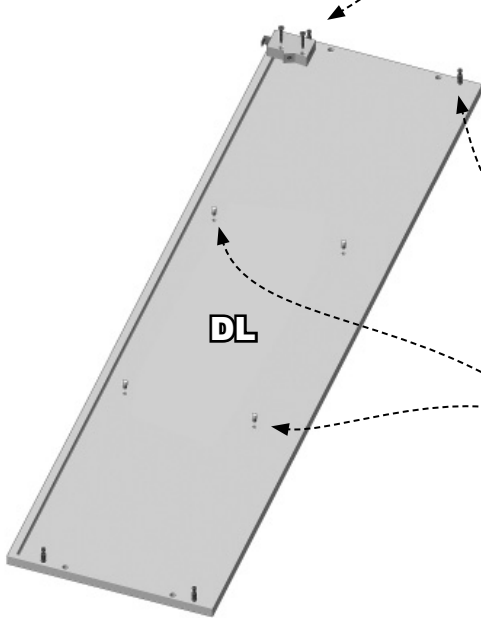
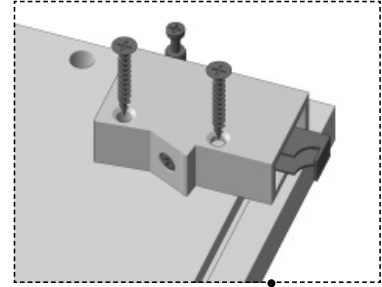
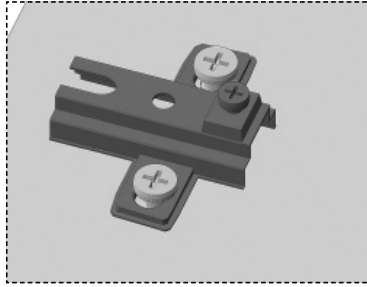
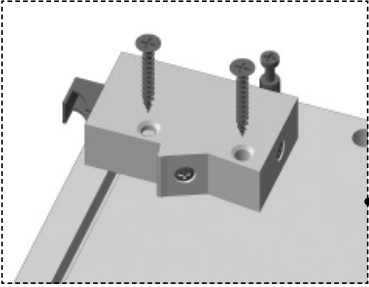
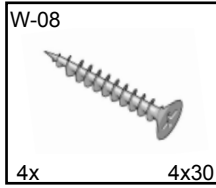
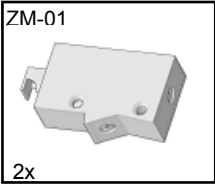
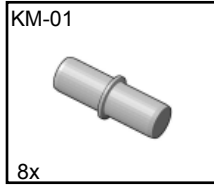
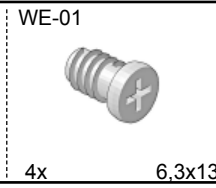
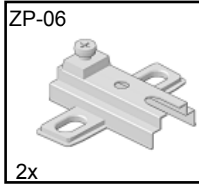
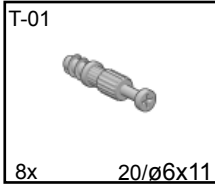
ELIZABETH

ELIZABETH 06062016



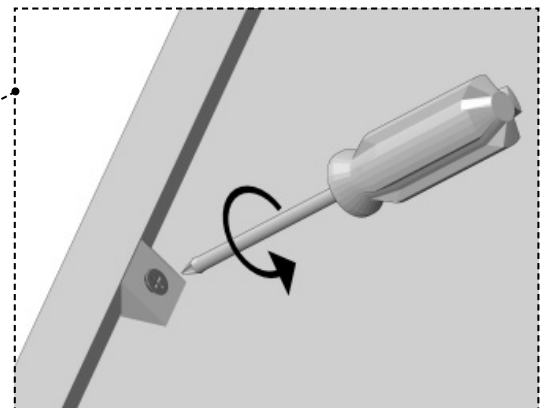
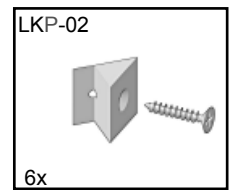
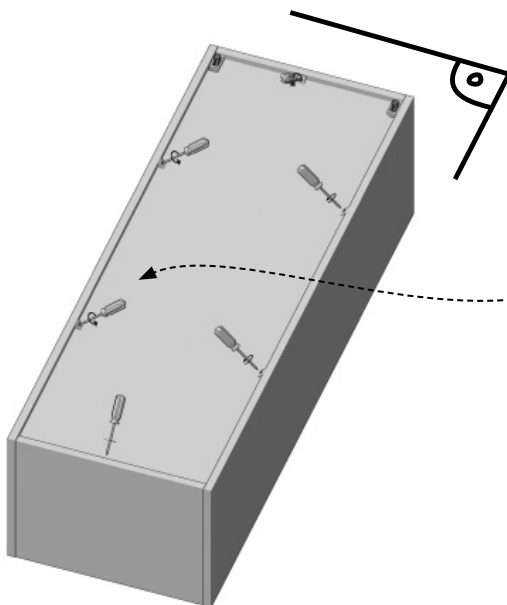
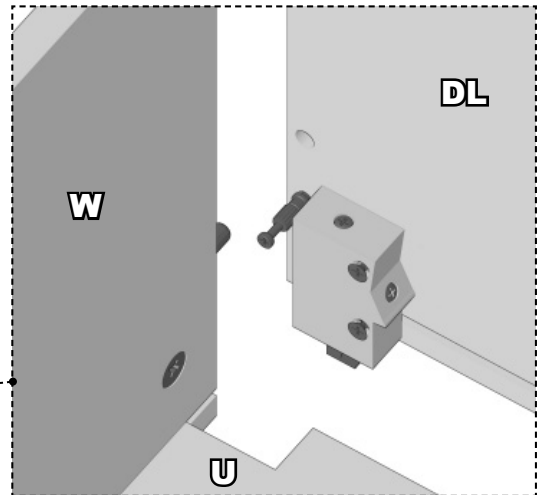
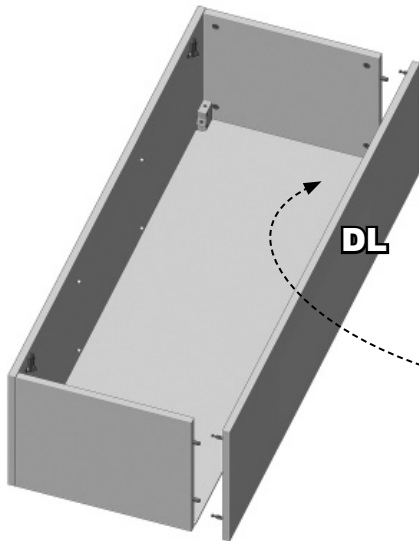
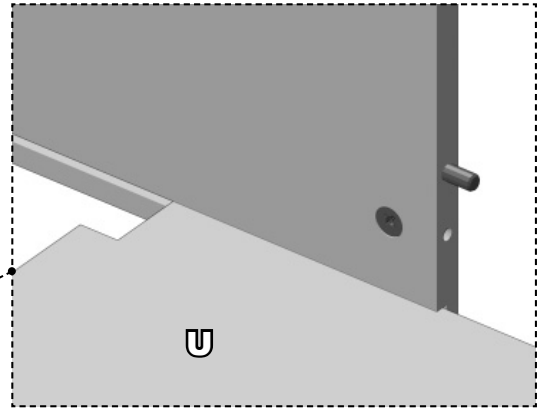
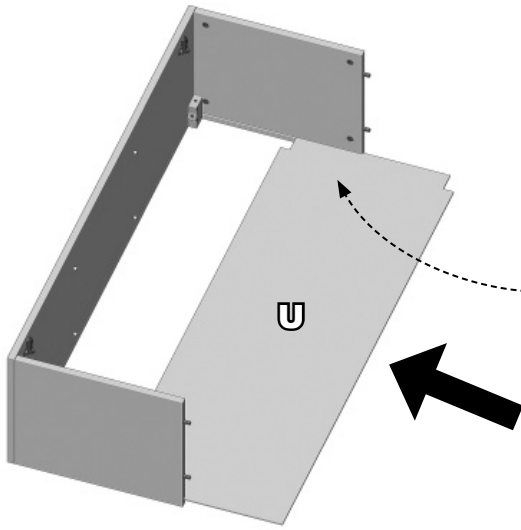
ELIZABETH

ELIZABETH 06062016



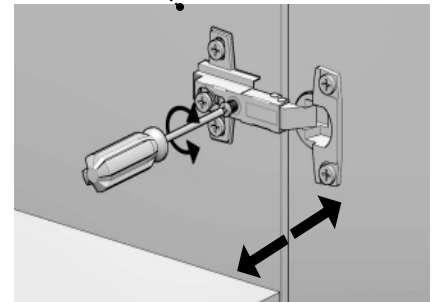
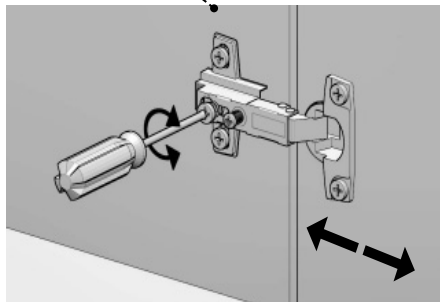
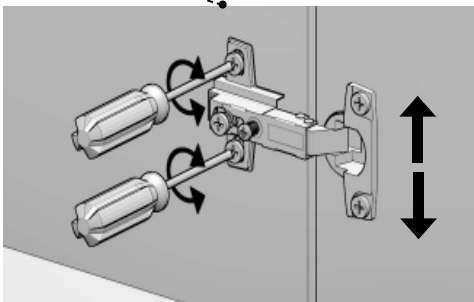
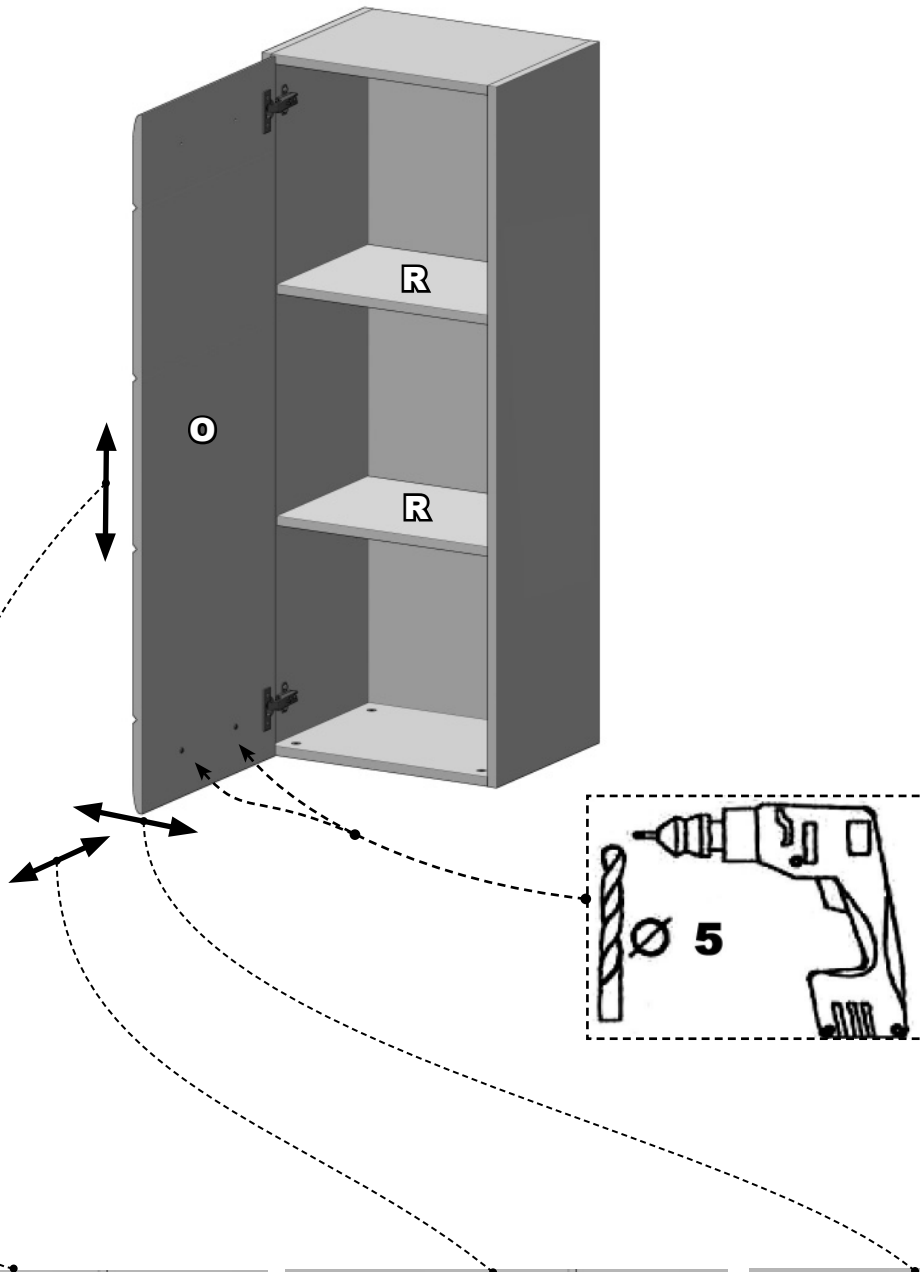
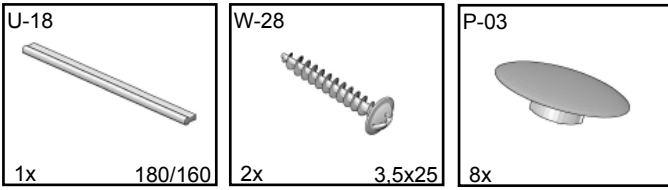
ELIZABETH

ELIZABETH 06062016



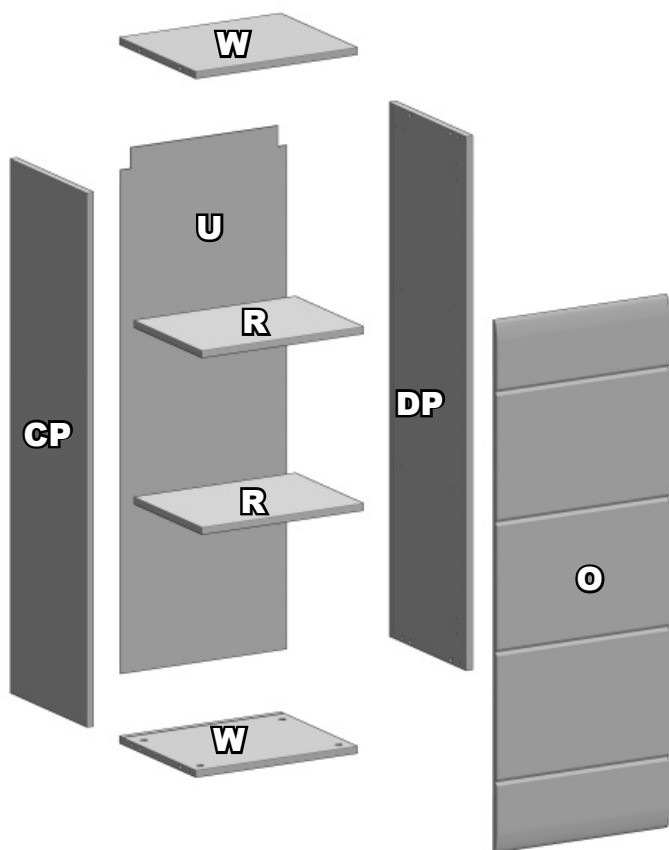
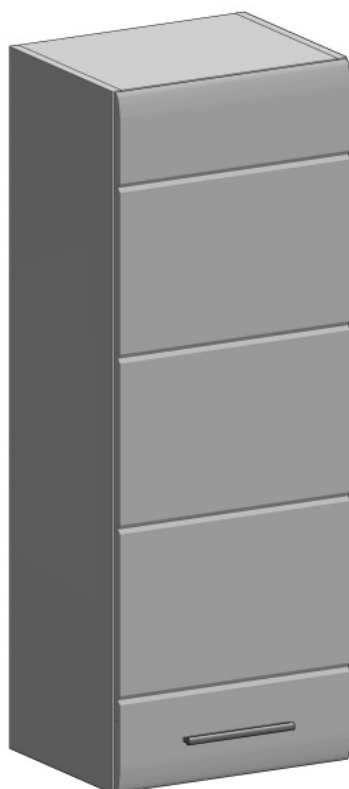
ELIZABETH

ELIZABETH 06062016



ELIZABETH

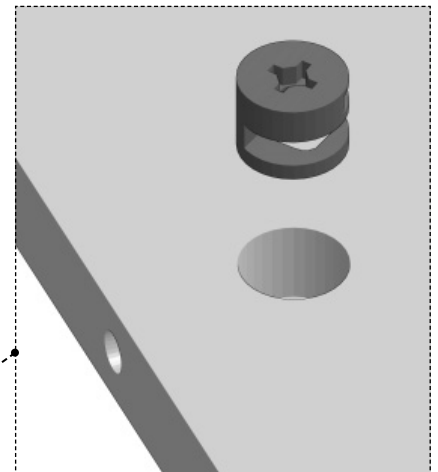
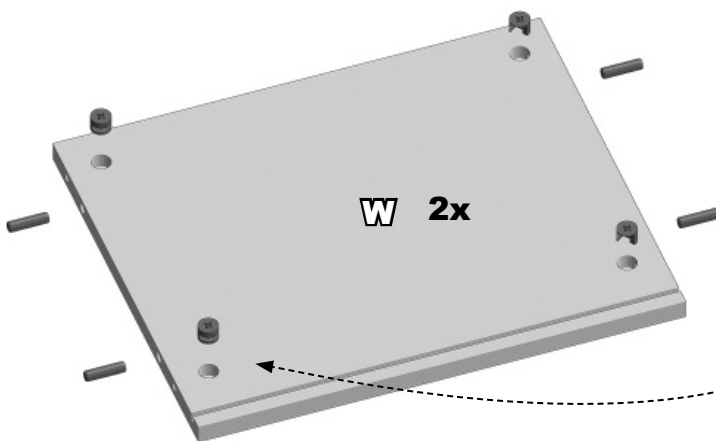
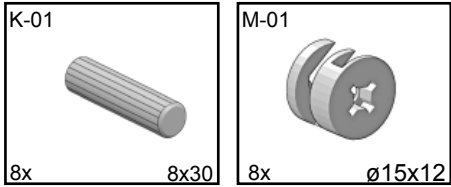
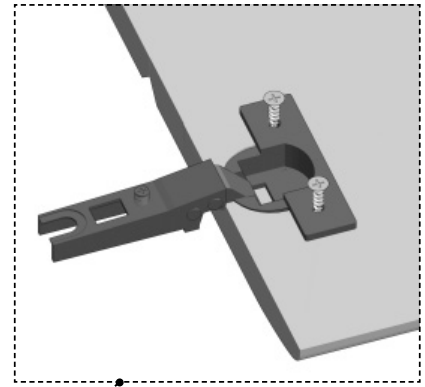
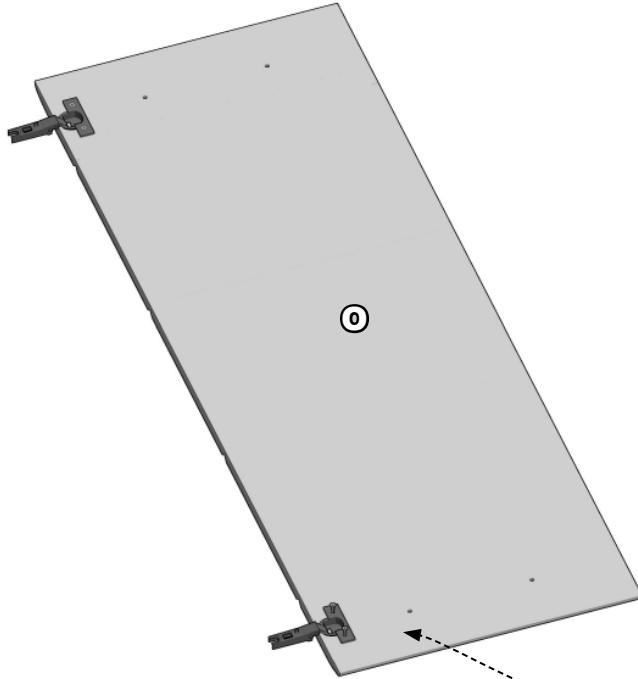
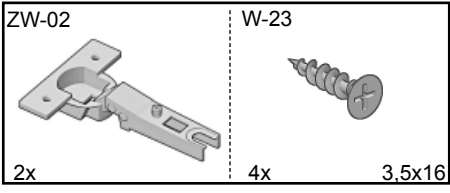
ELIZABETH 06062016



REP	DIM	QTE	package
CP	1100 x 305 x 15	1	3/4
DP	1100 x 305 x 15	1	3/4
O	1096 x 396 x 16	1	3/4
R	370 x 270 x 15	2	3/4
U	1080 x 381 x 2,5	1	3/4
W	370 x 304 x 15	2	3/4

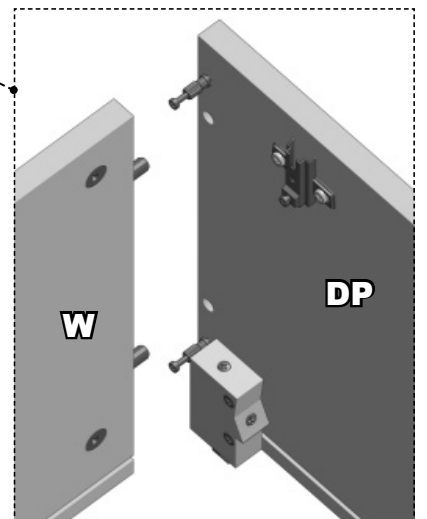
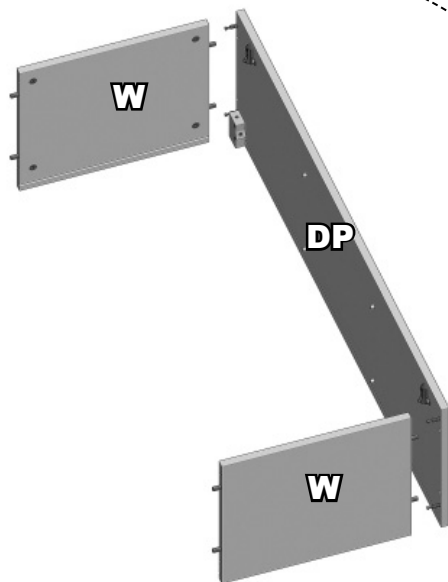
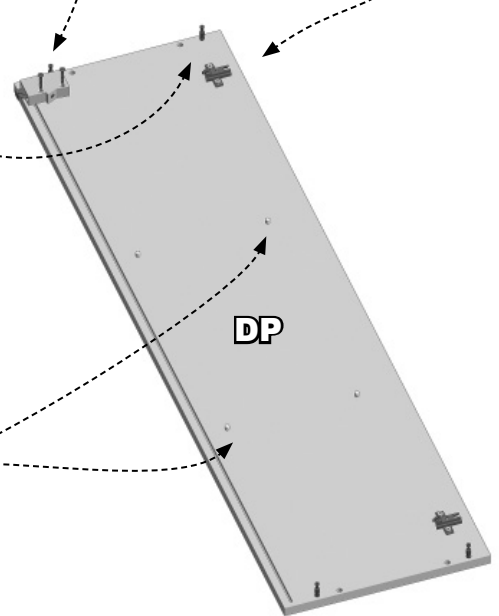
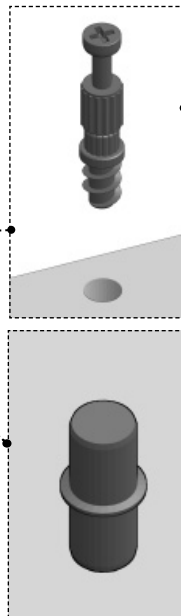
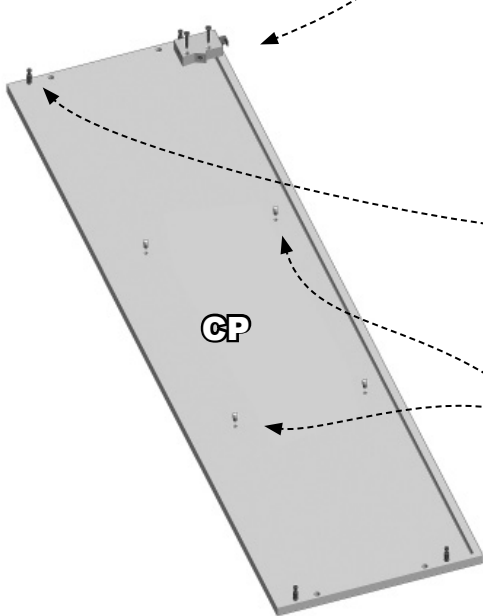
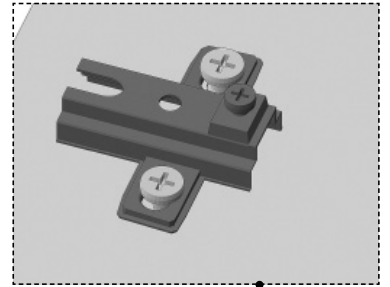
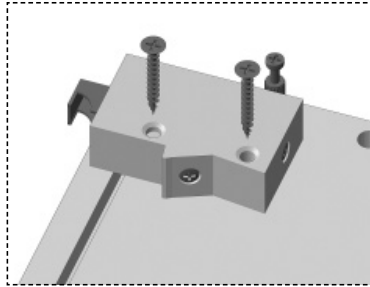
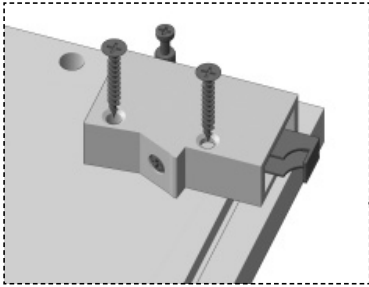
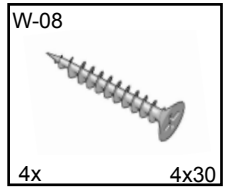
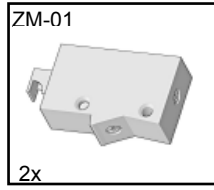
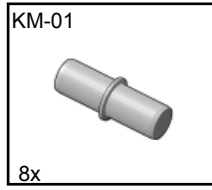
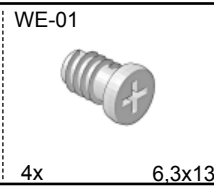
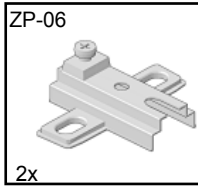
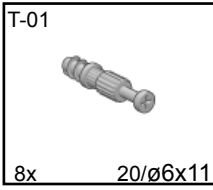
ELIZABETH

ELIZABETH 06062016



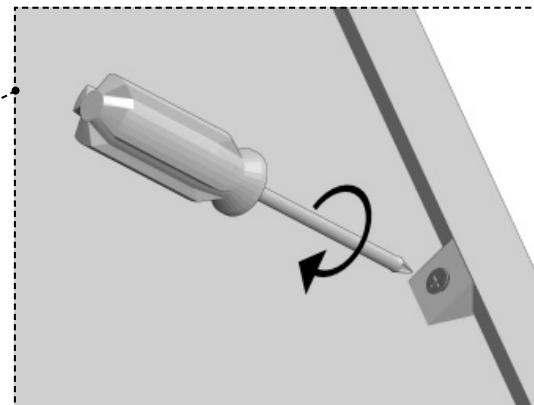
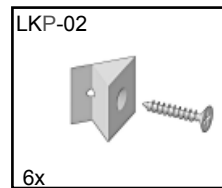
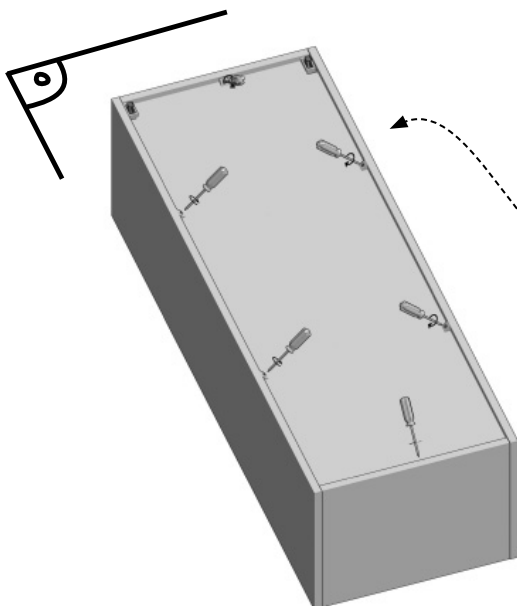
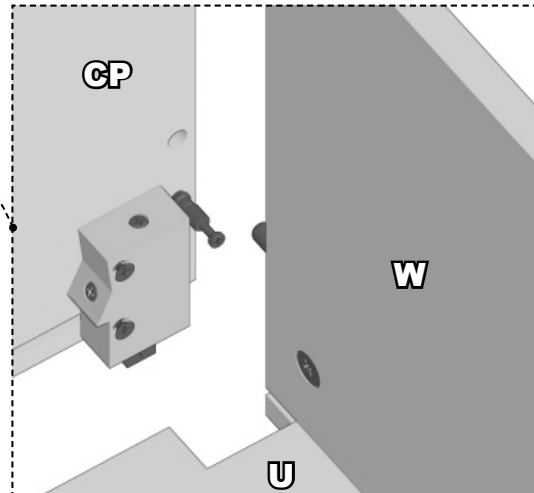
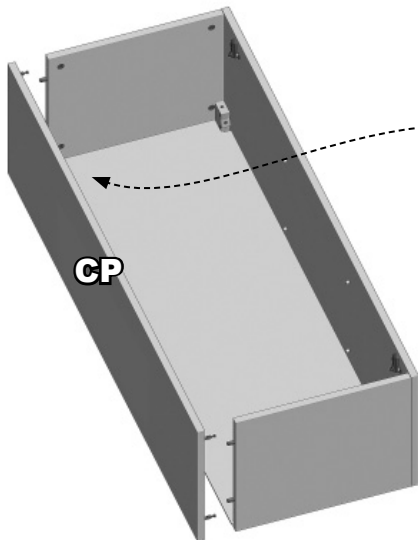
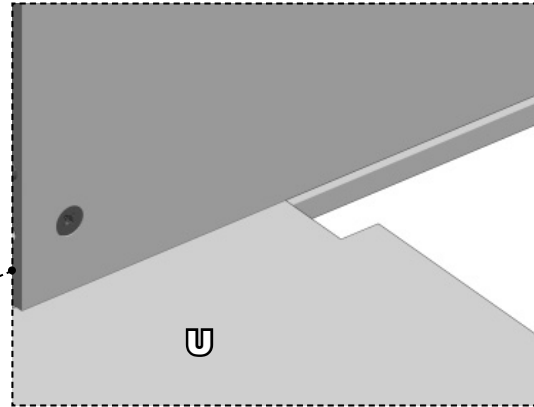
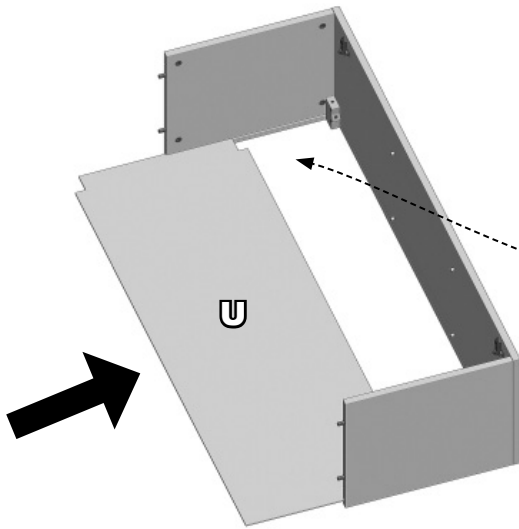
ELIZABETH

ELIZABETH 06062016



ELIZABETH

ELIZABETH 06062016



ELIZABETH

ELIZABETH 06062016

U-18



1x

180/160

W-28



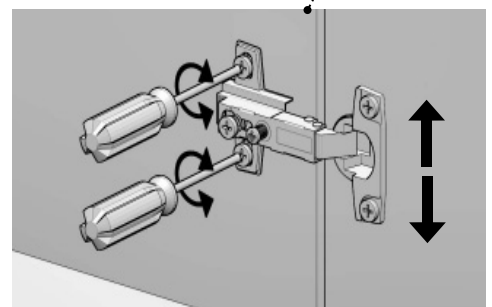
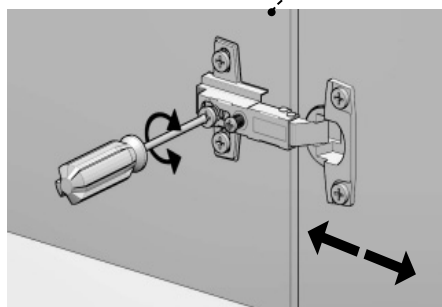
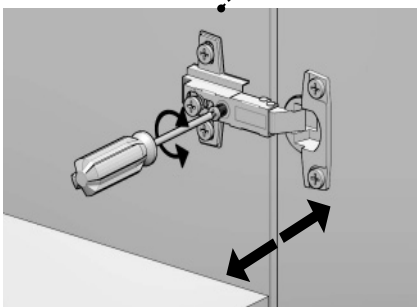
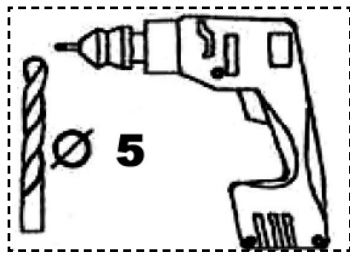
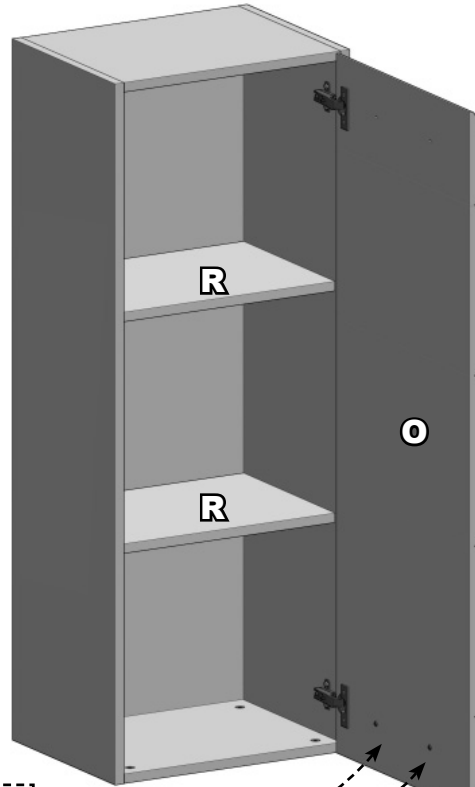
2x

3.5x25

P-03



8x



ELIZABETH

ELIZABETH 06062016



8 x



8 x



ZA-01



1x

