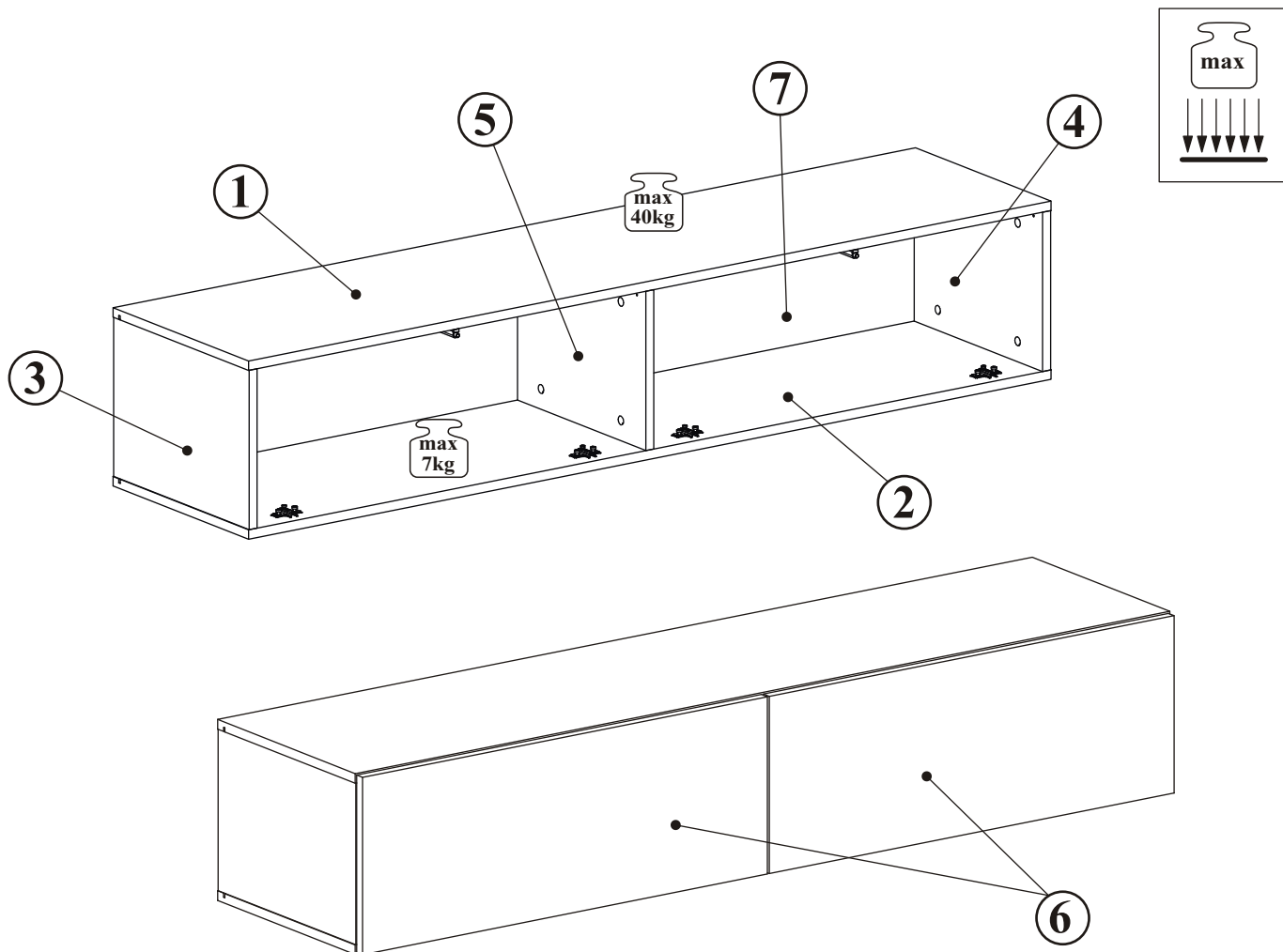
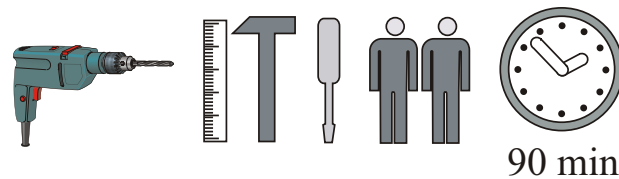


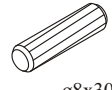
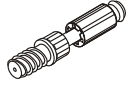


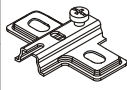
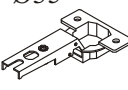
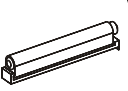
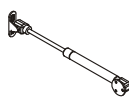
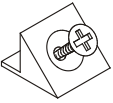
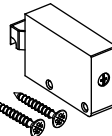
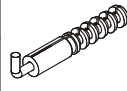


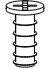
SOMERO 28 __ WS4 , 28 __ WS14

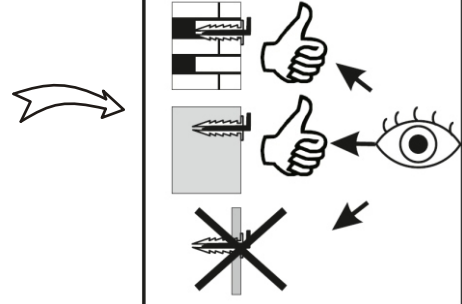
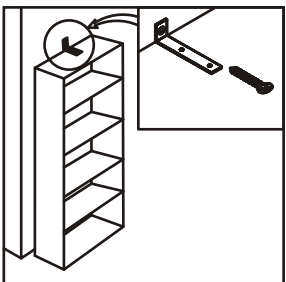
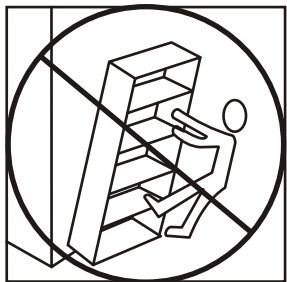
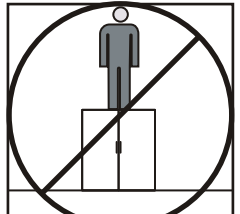
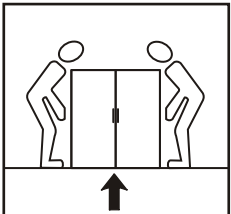
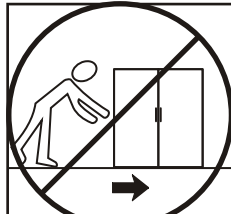
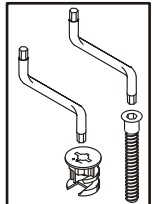
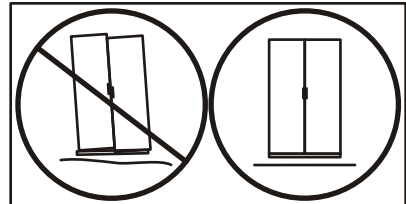
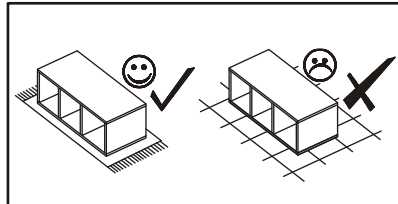
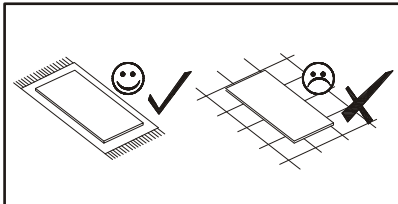
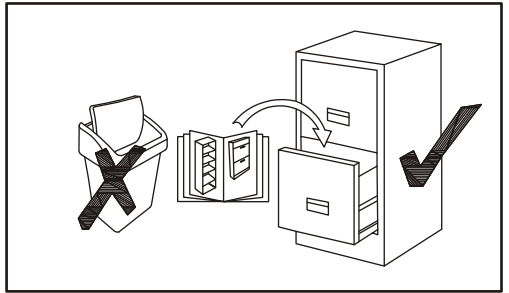
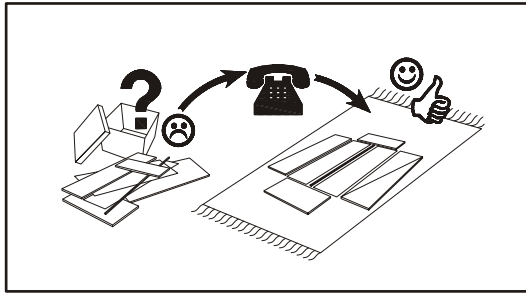
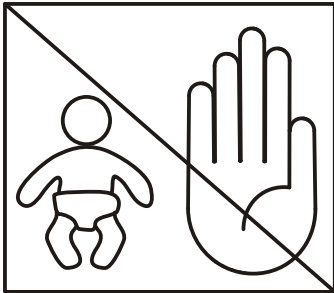
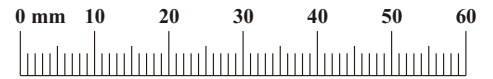



NO	Dim.		Col.-No	Qty
3	270	380	1	1
4	270	380	1	1
1	1602	380	1	1
2	1602	380	1	1
5	270	360	1	1
7	1579	282	1	1
6	796	296	1	2

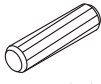


90 min

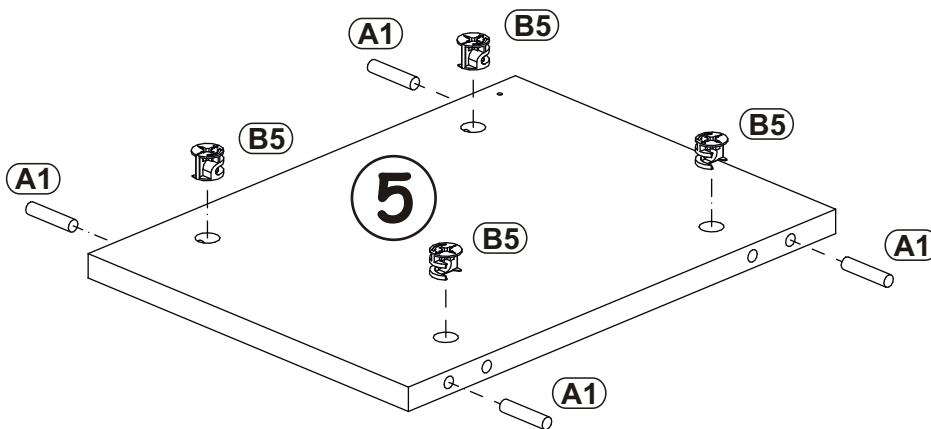
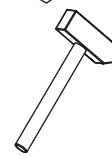
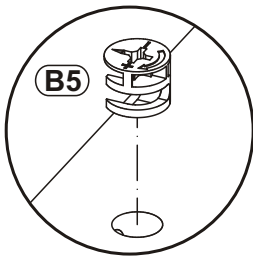
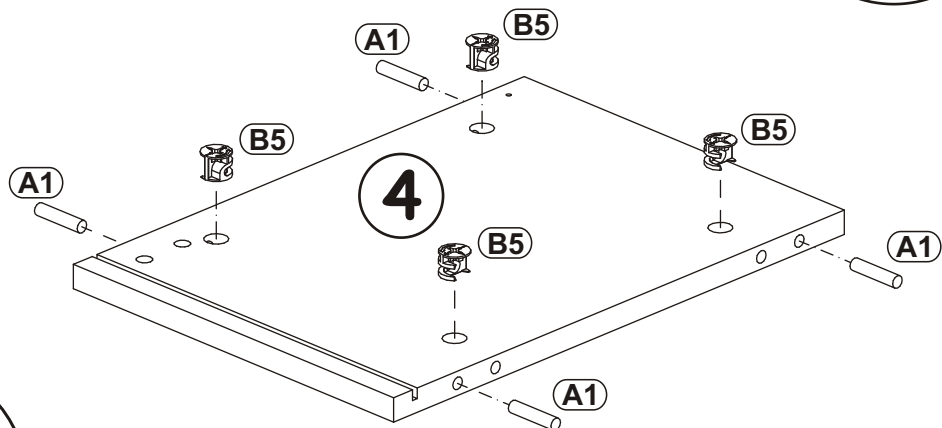
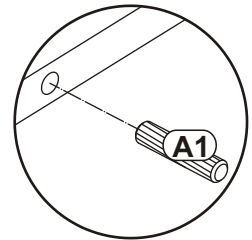
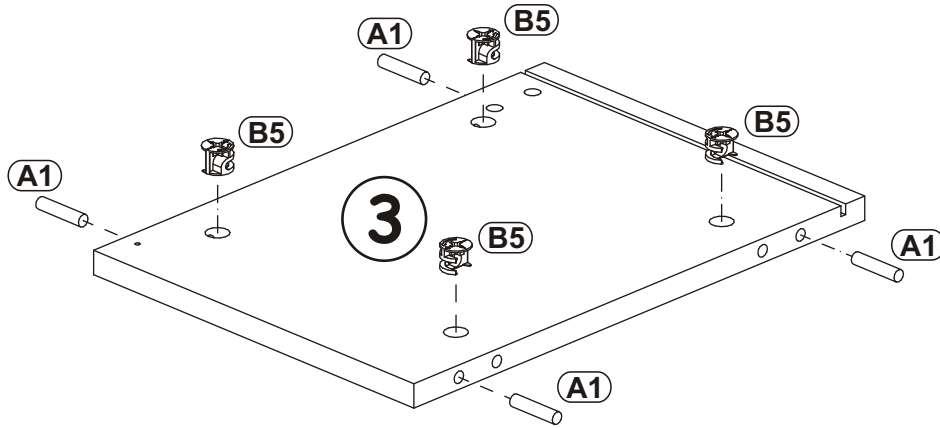
A1 x12  ø8x30	B4 x12 	B5 x12  ø15x12	G5 x12 	E2 x4  H=0	E21 x4  H=0 Ø35
T1 x2 	BO1 x4 	S1 x12 	ZX x3 	KR2 x3 	D10 x14  USØ3,5x16
G2 x1 	E1 x8  ø6,3x13				



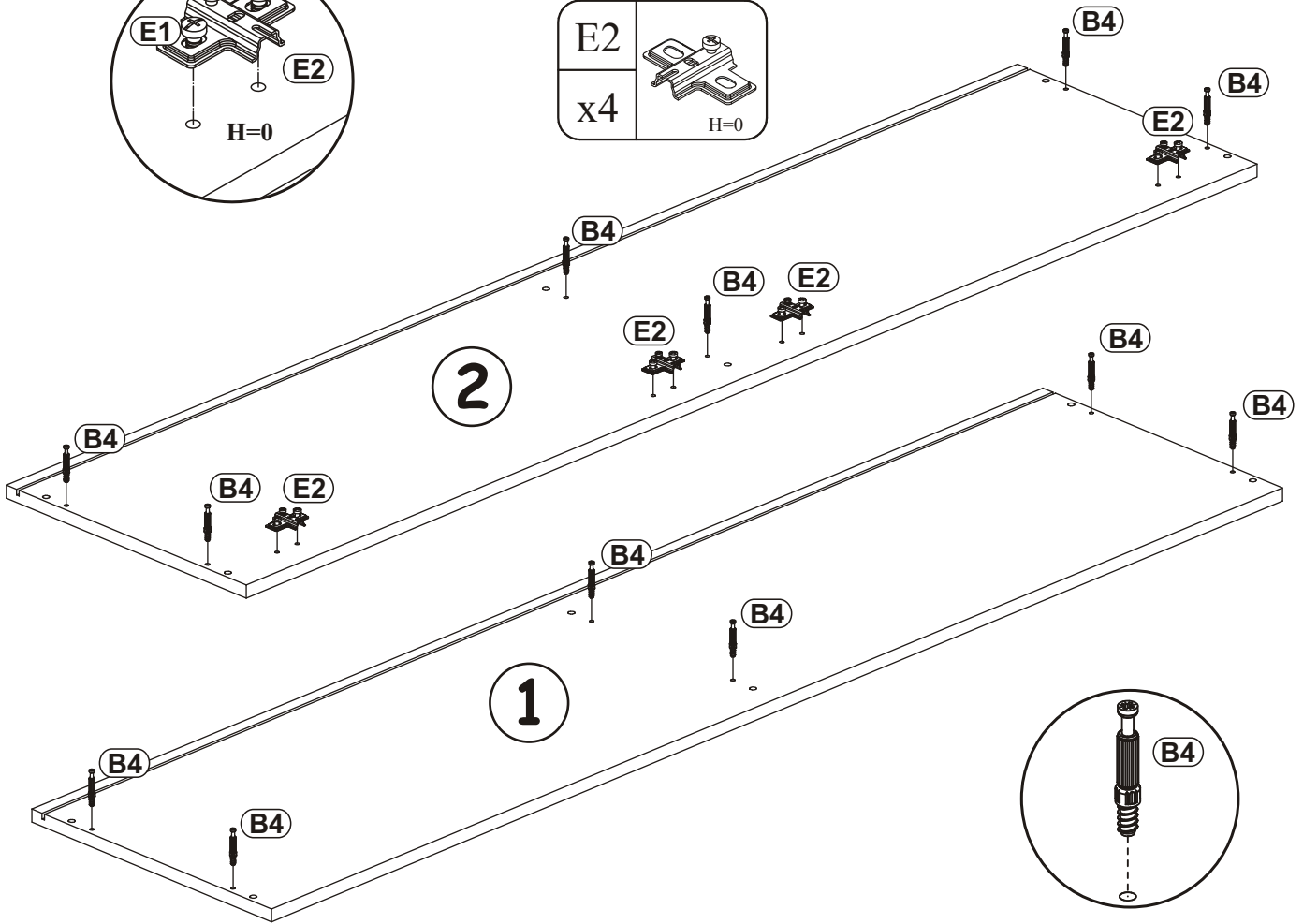
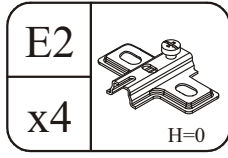
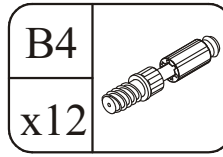
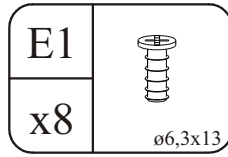
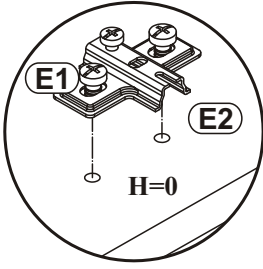
B5	
x12	ø15x12

A1	
x12	ø8x30

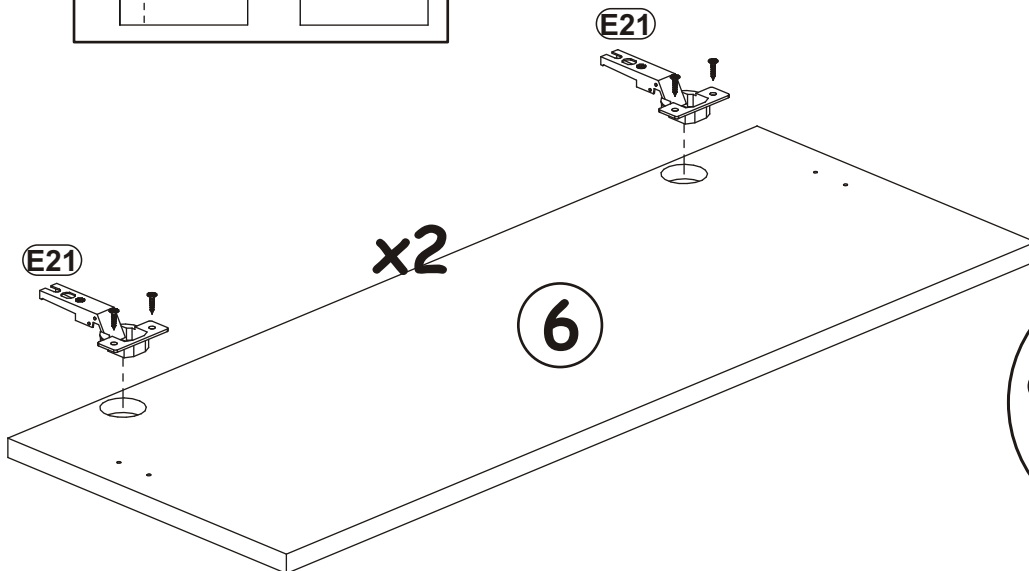
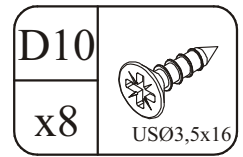
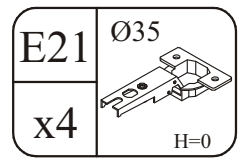
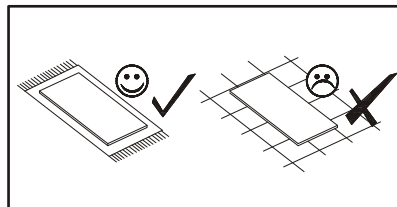
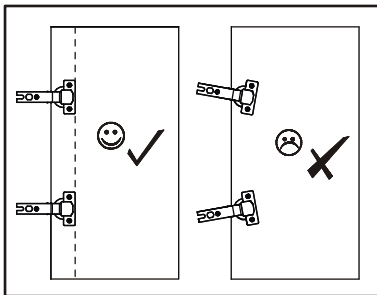
1



2

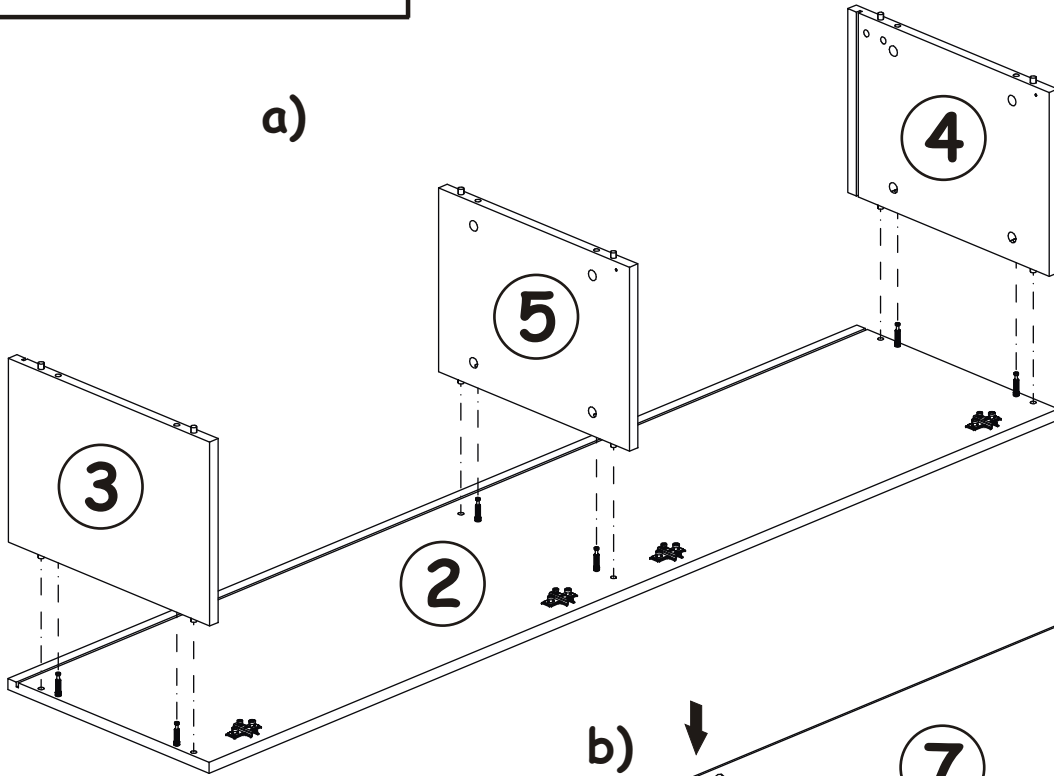


3

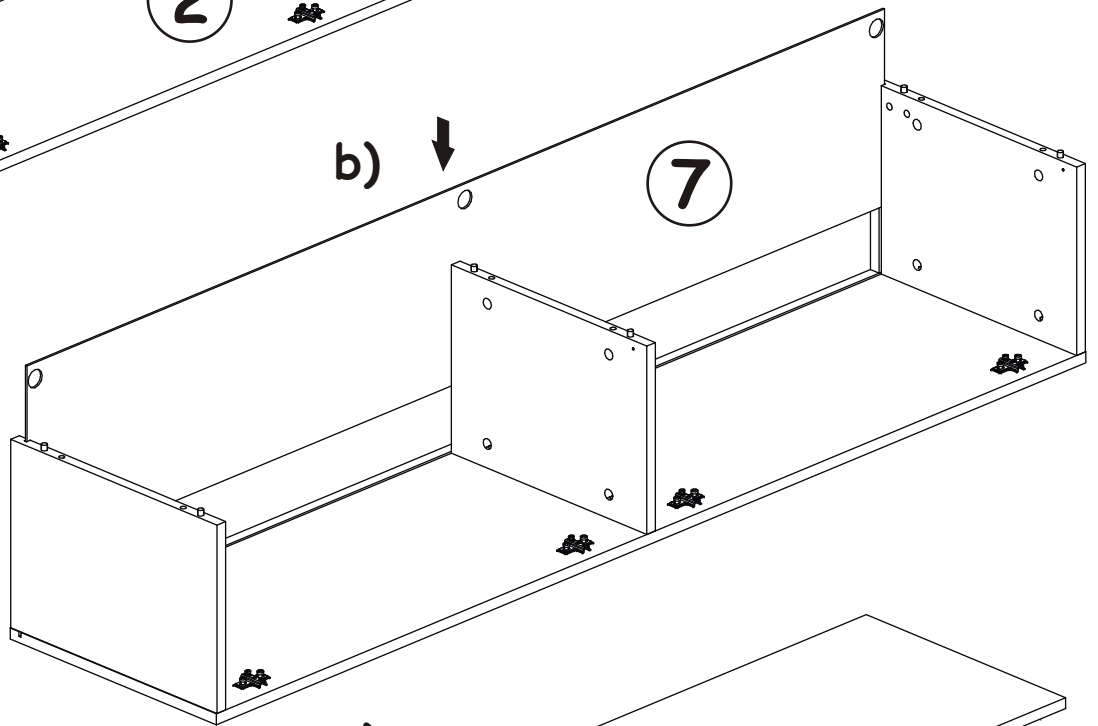


4

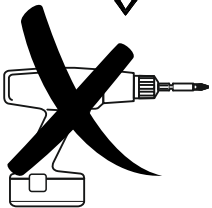
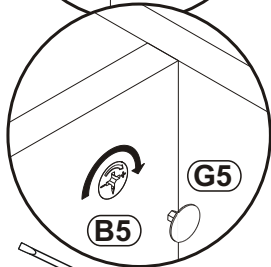
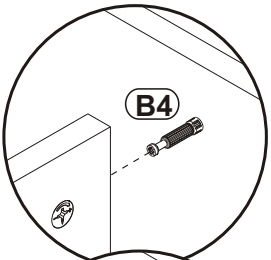
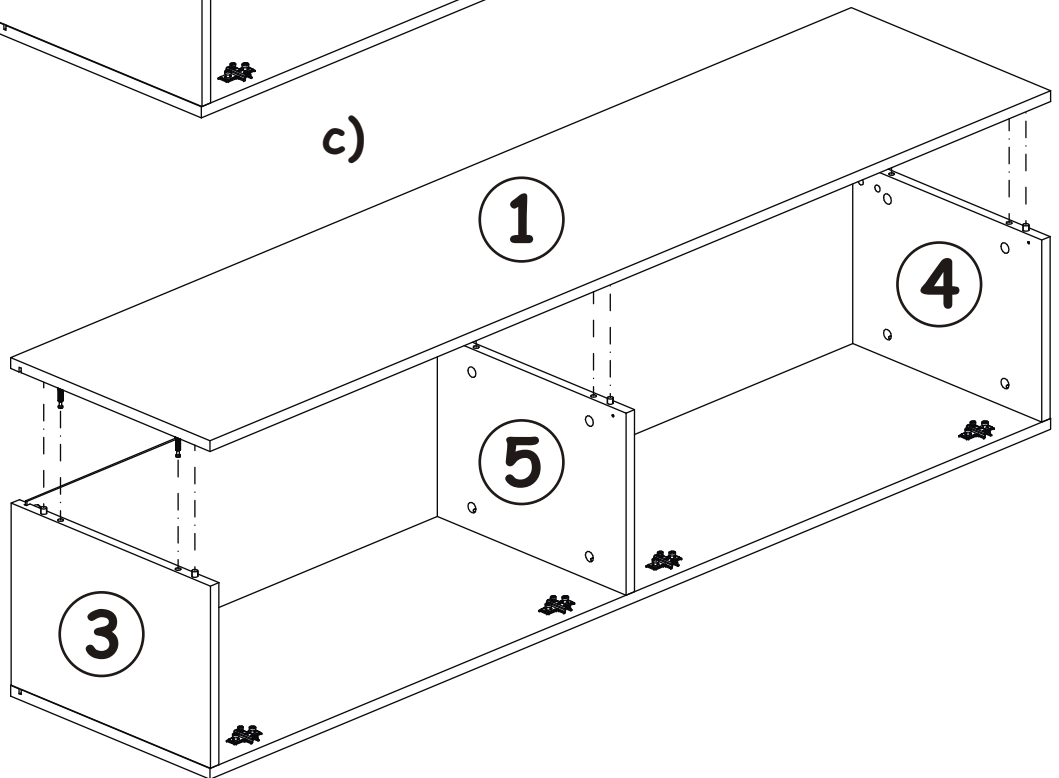
a)



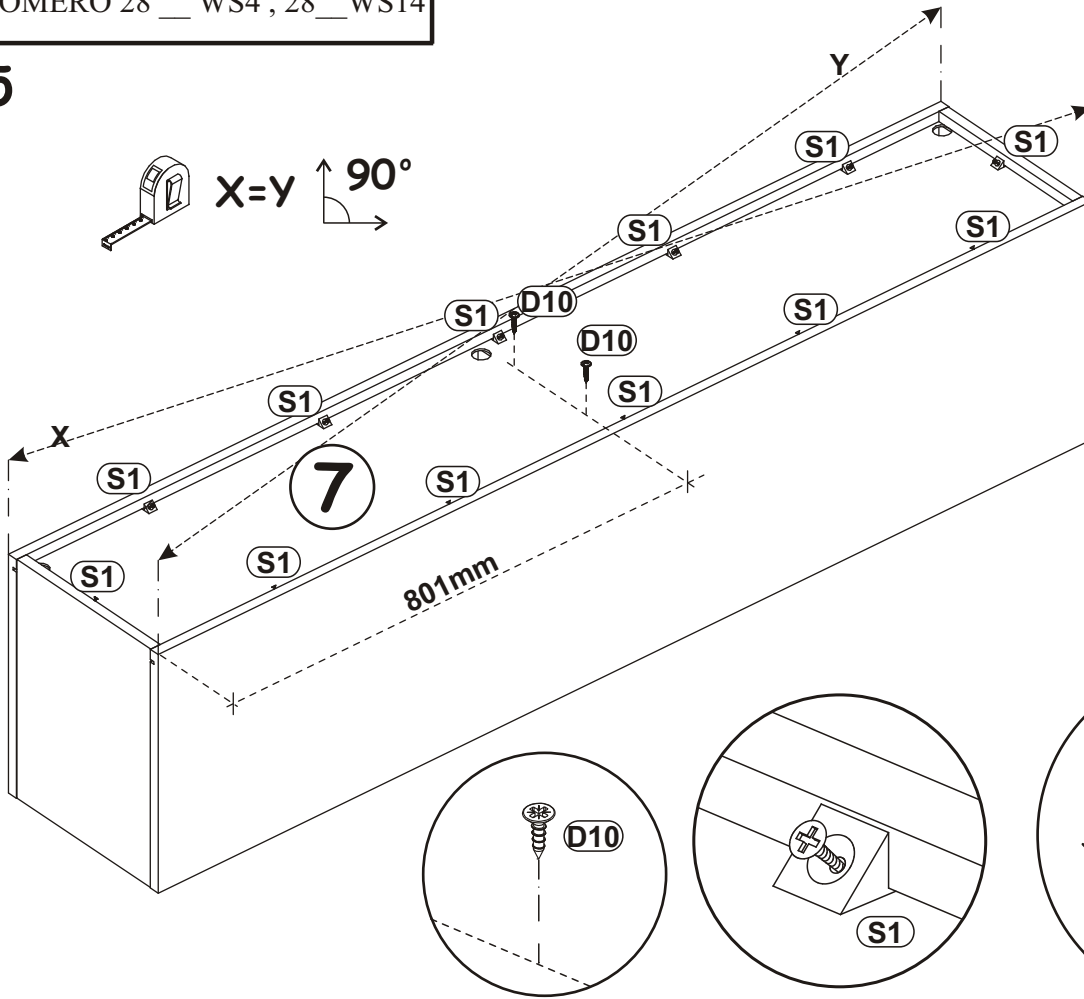
b)

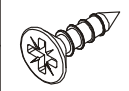



c)

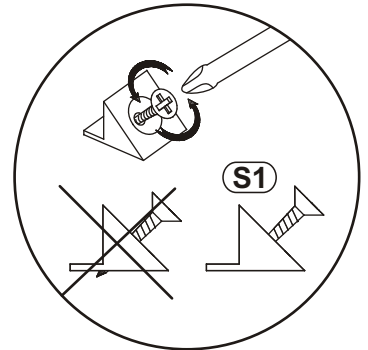
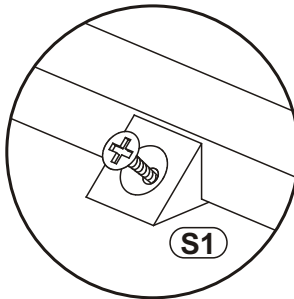
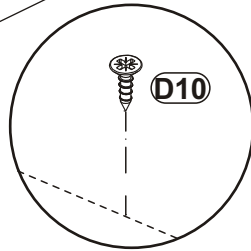


5

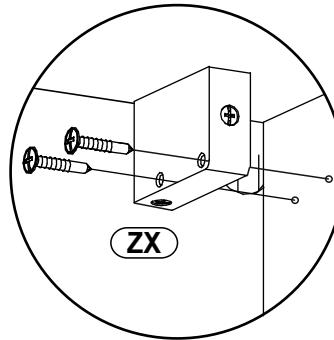
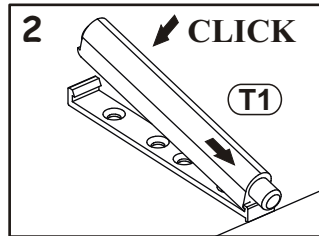
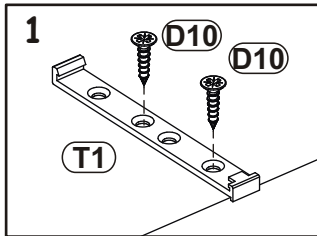


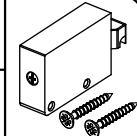
D10	
x2	USØ3,5x16

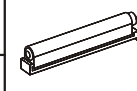
S1	
x12	




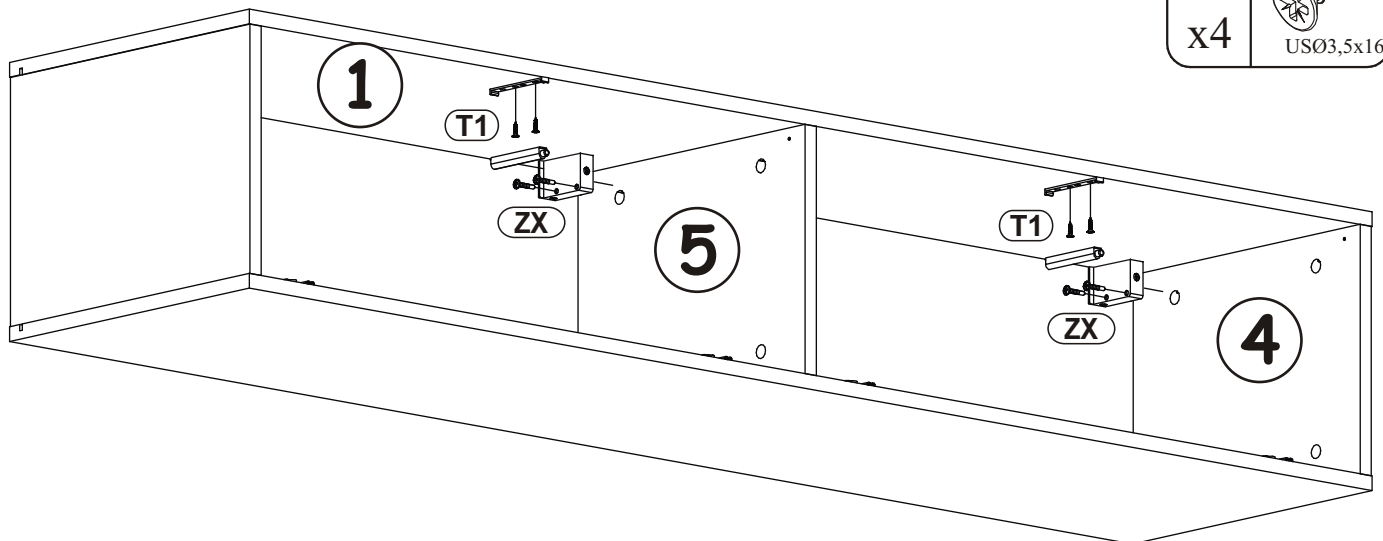
6



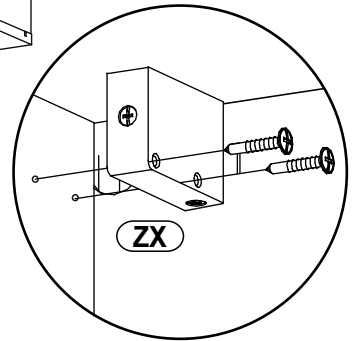
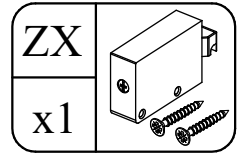
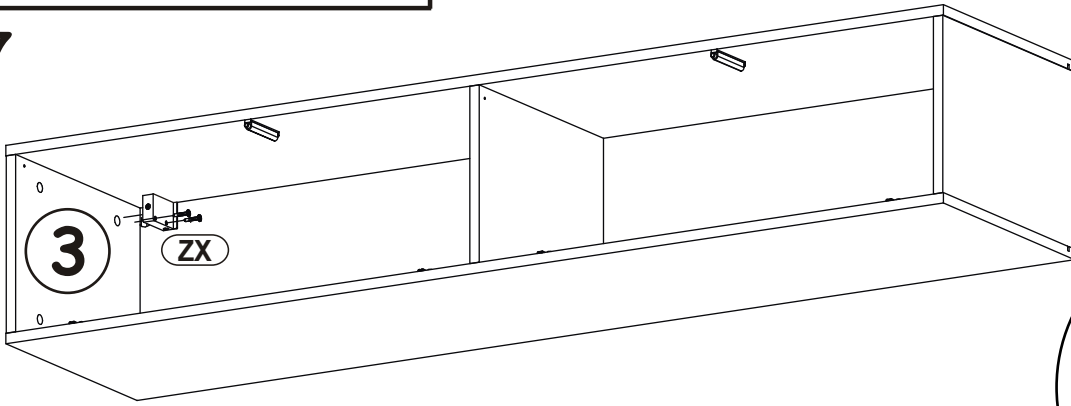
ZX	
x2	

T1	
x2	

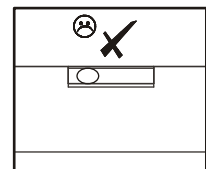
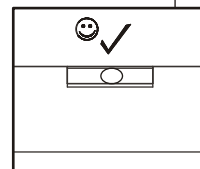
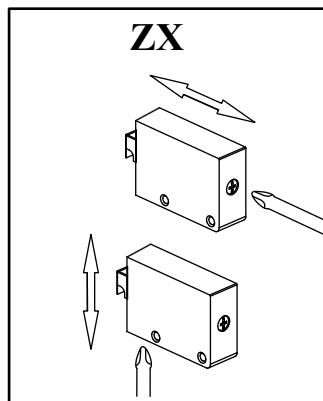
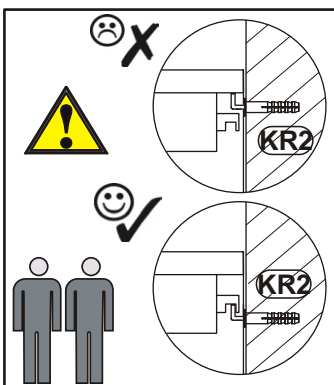
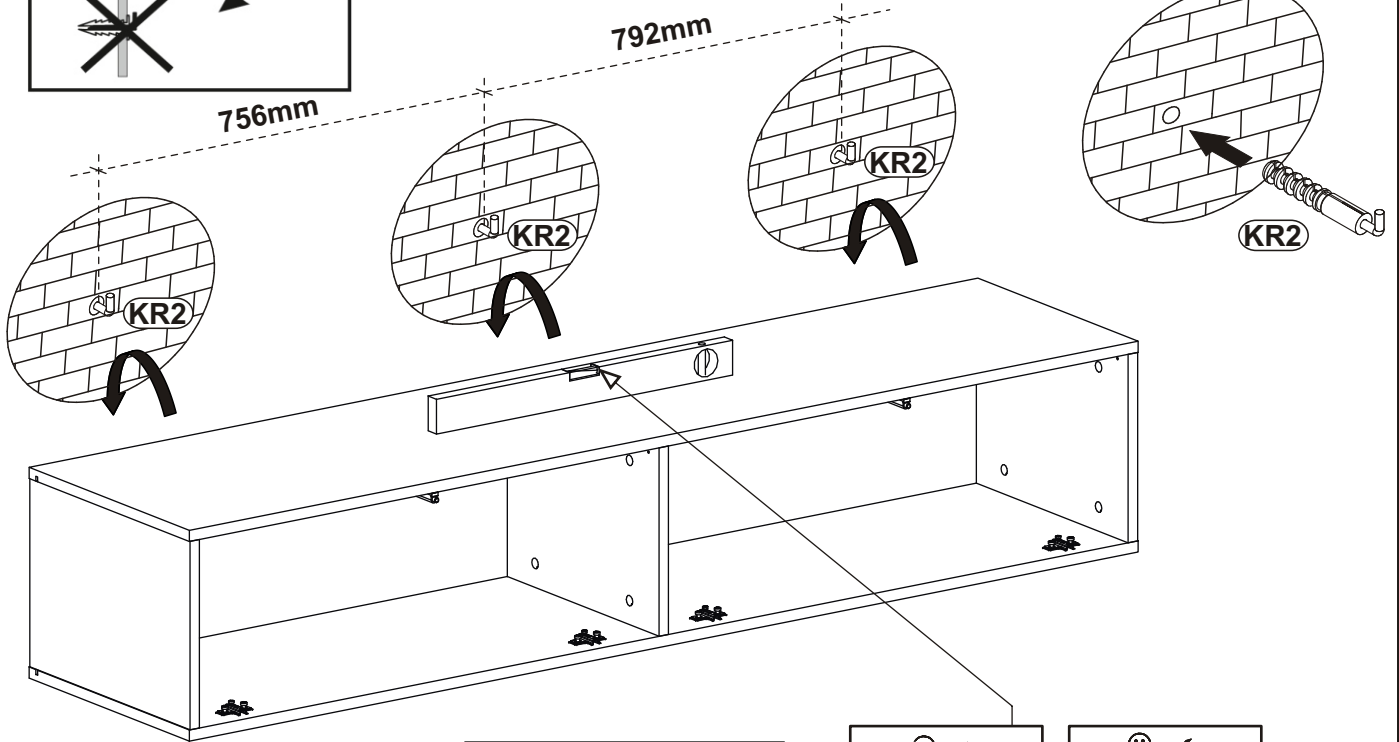
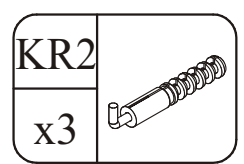
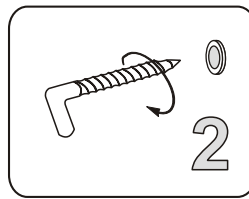
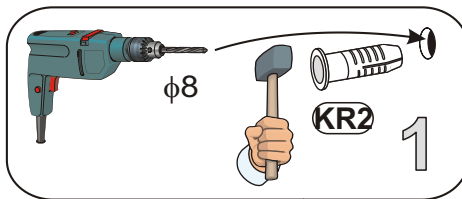
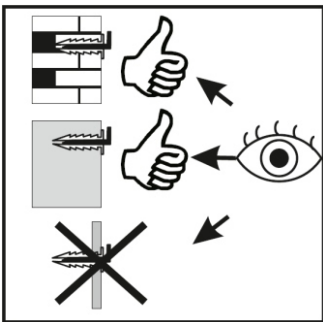
D10	
x4	USØ3,5x16



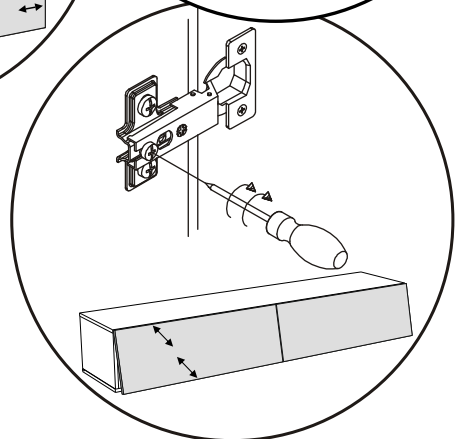
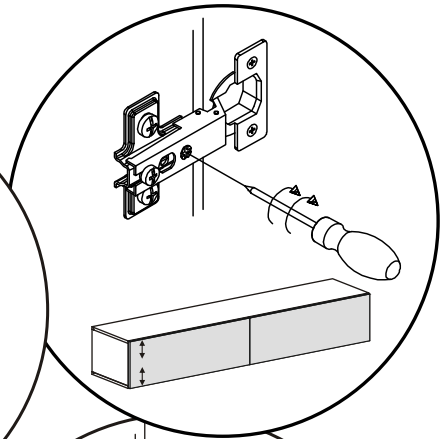
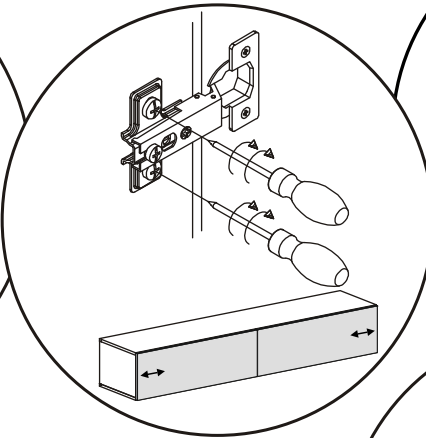
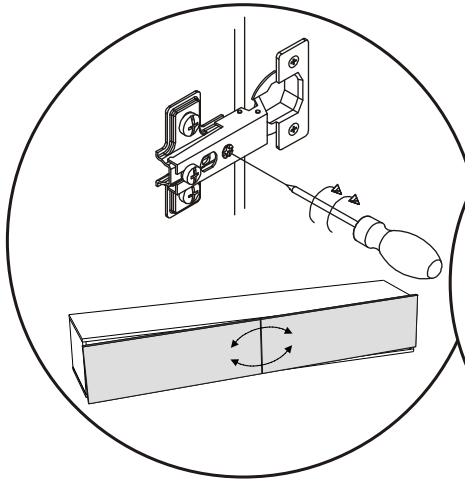
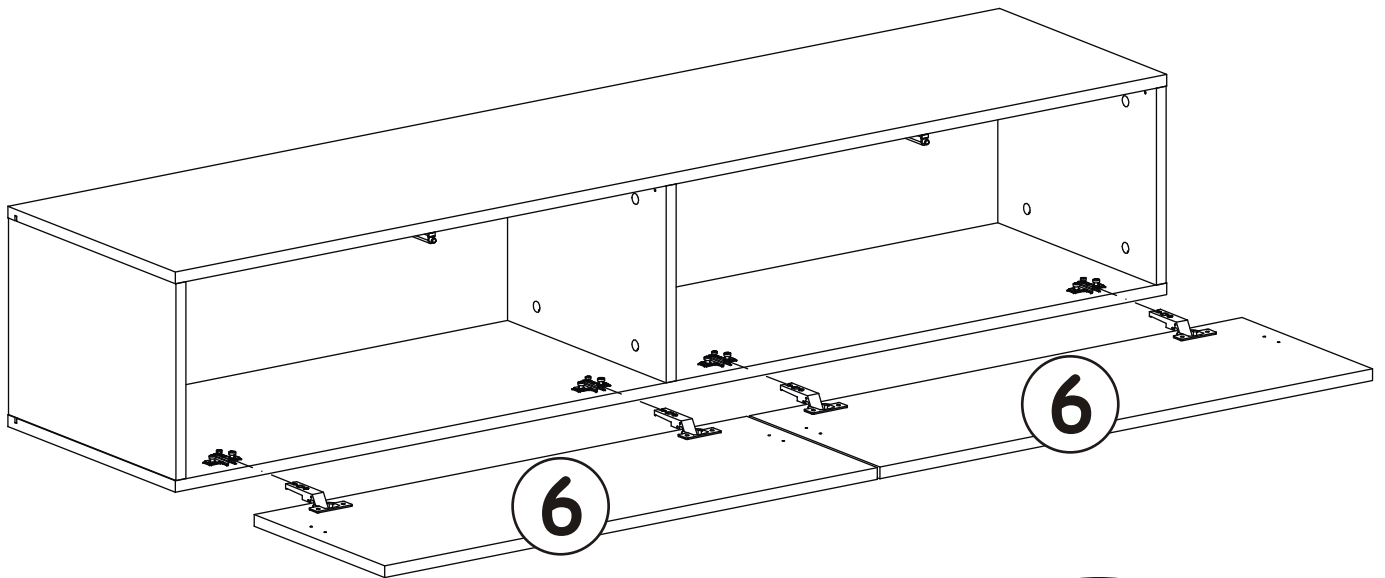
7



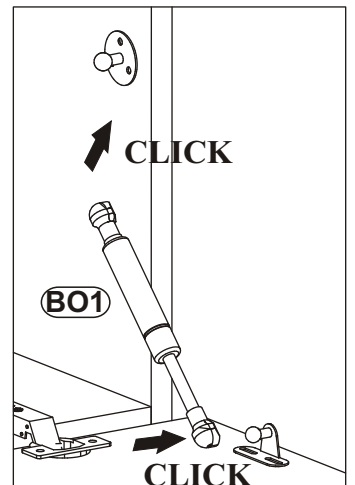
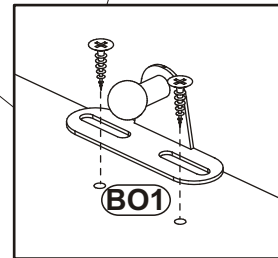
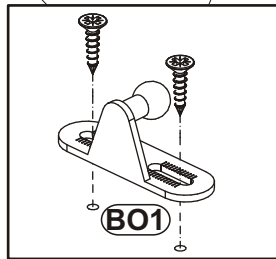
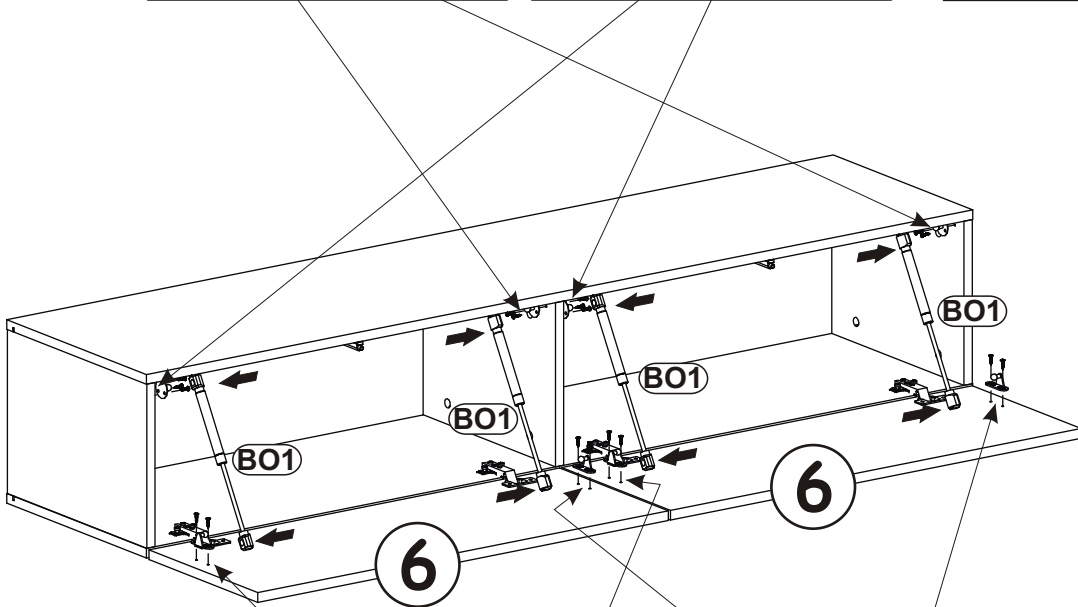
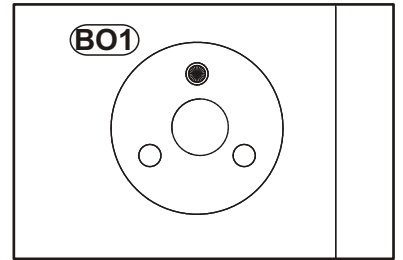
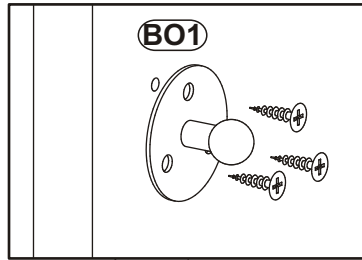
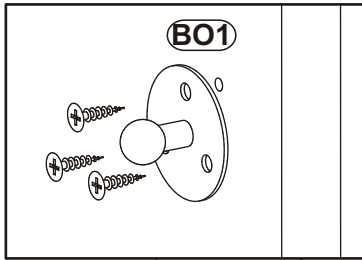
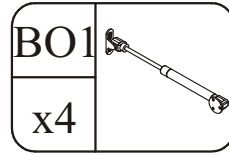
8



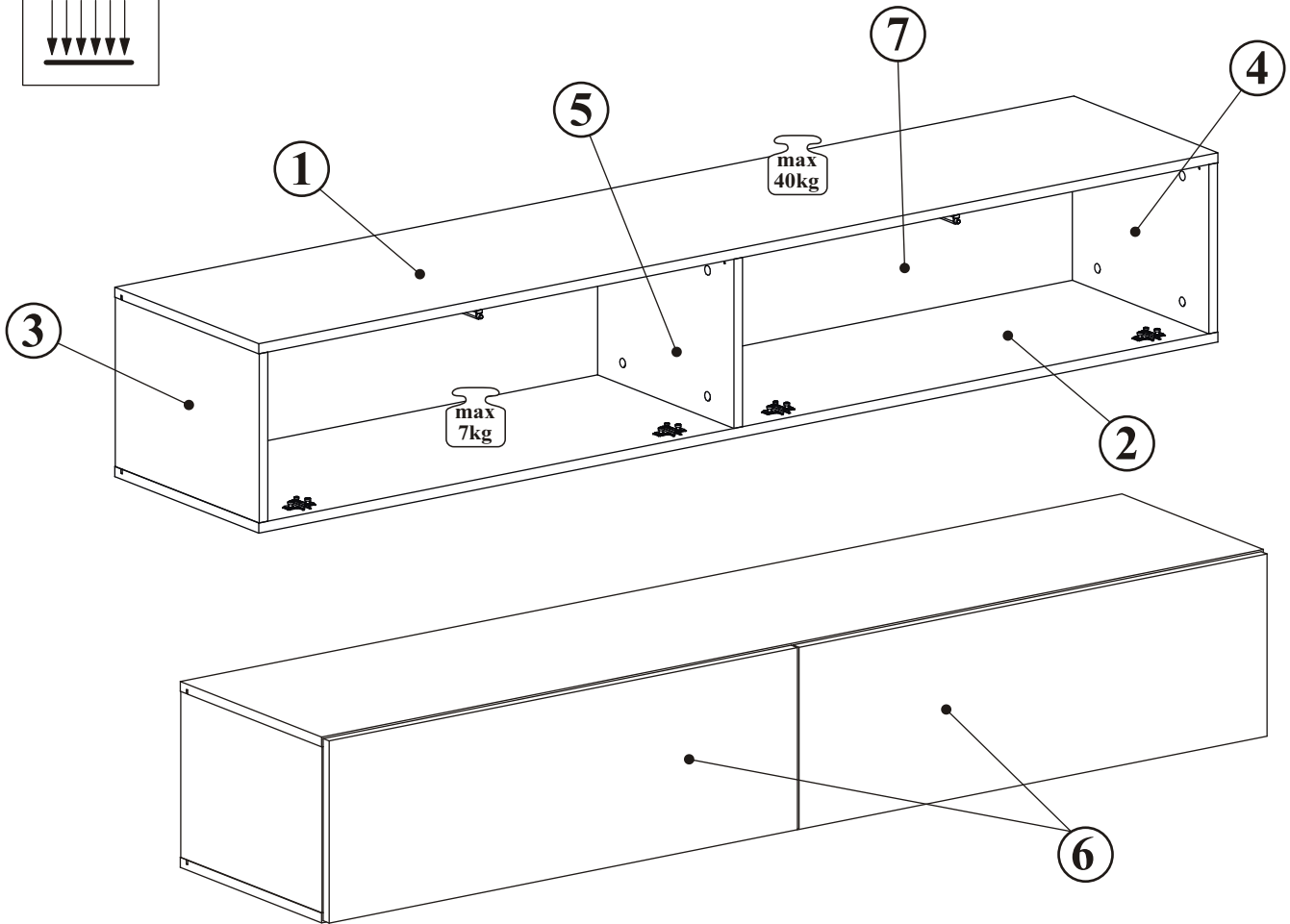
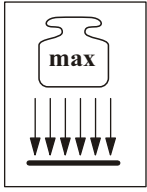
9



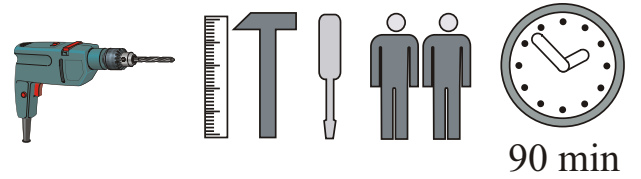
10

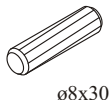
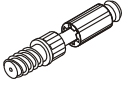


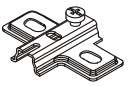
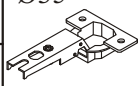
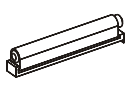
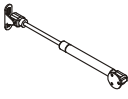
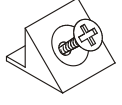
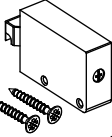
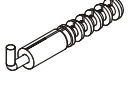





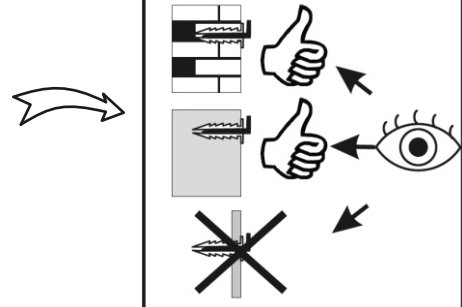
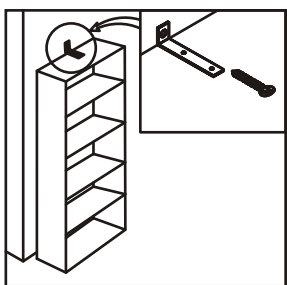
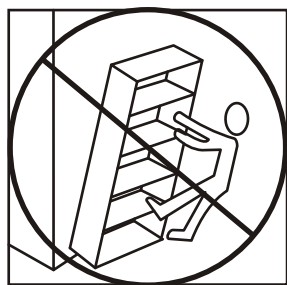
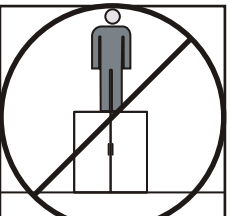
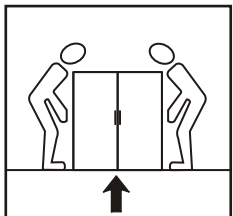
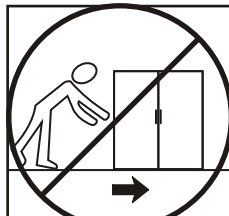
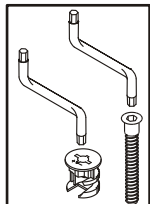
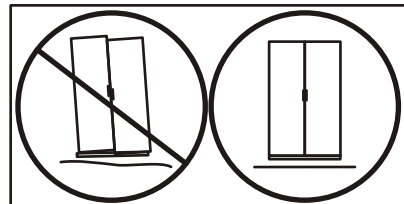
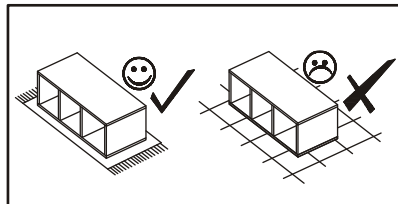
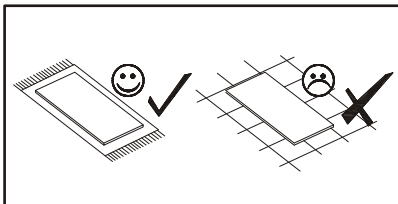
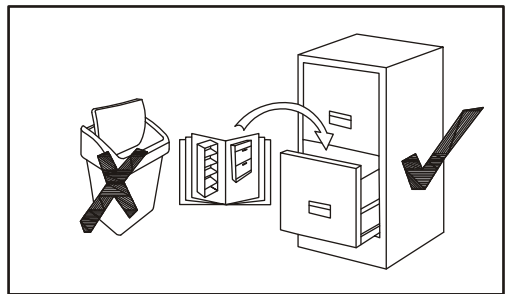
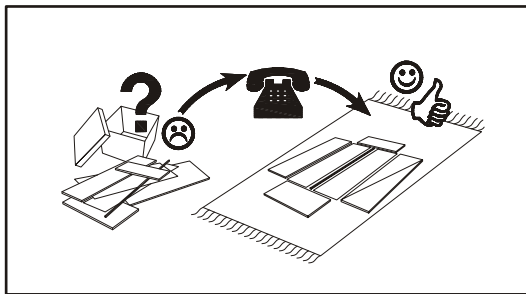
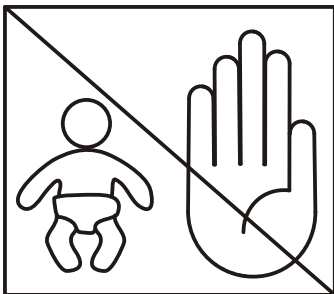
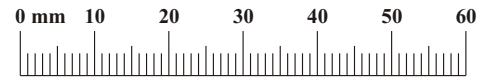
SOMERO 28 __ WS5 , 28 __ WS15



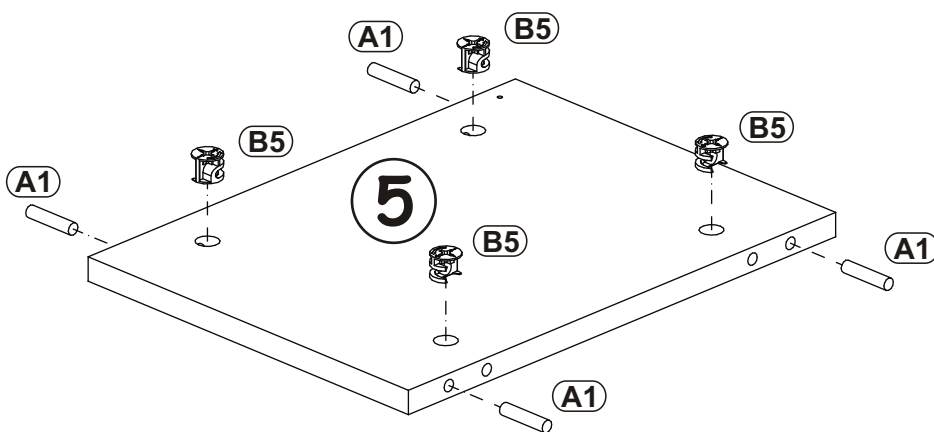
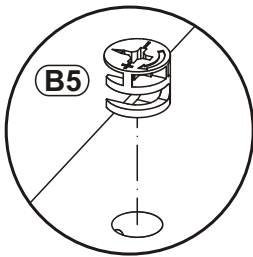
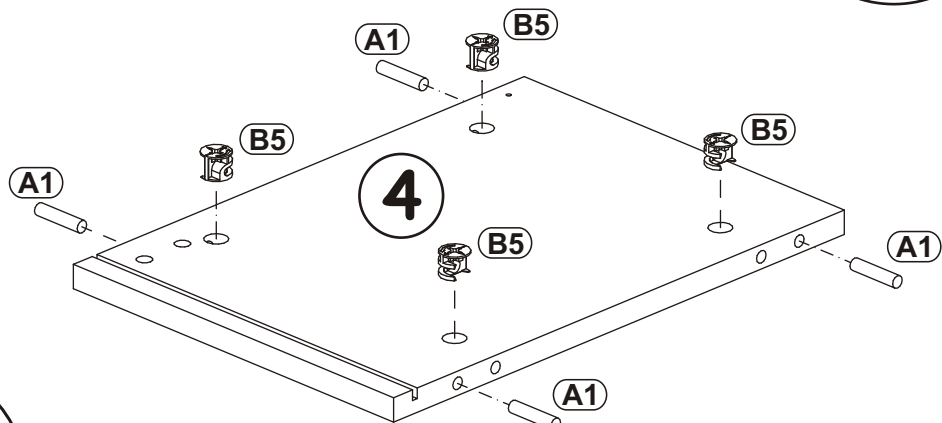
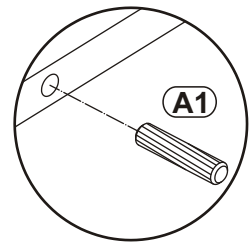
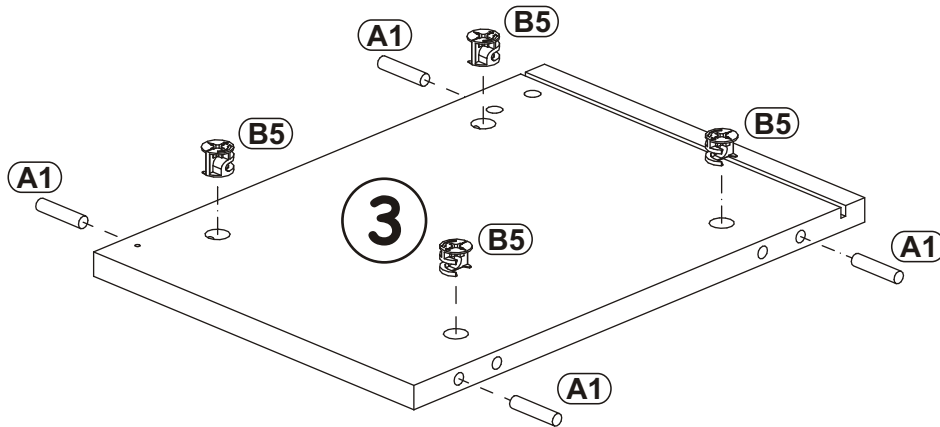
NO	Dim.		Col.-No	Qty
3	270	380	1	1
4	270	380	1	1
1	1802	380	1	1
2	1802	380	1	1
5	270	360	1	1
7	1779	282	1	1
6	896	296	1	2



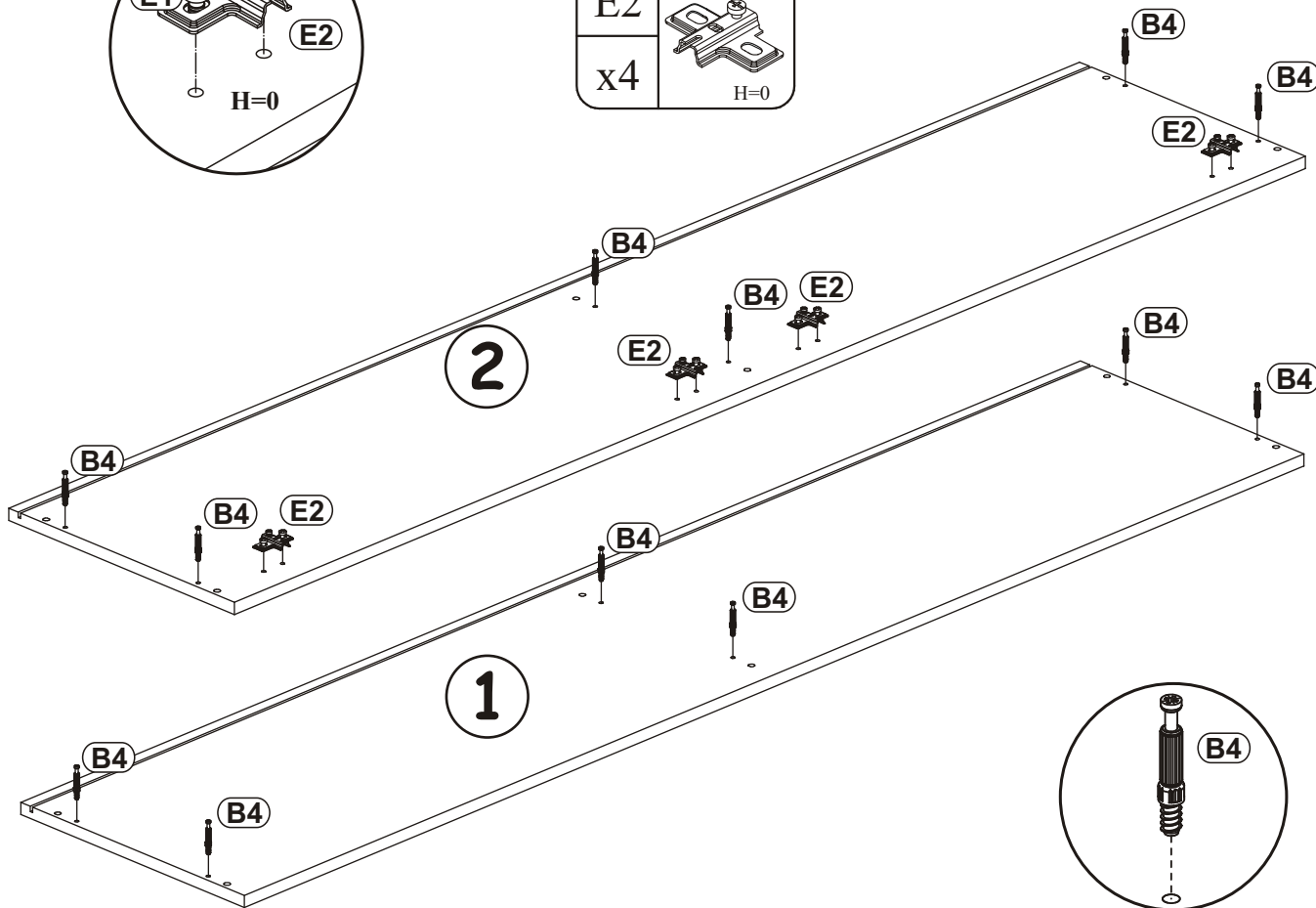
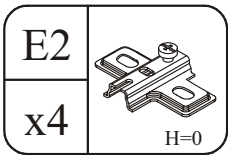
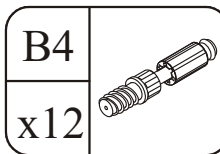
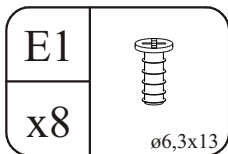
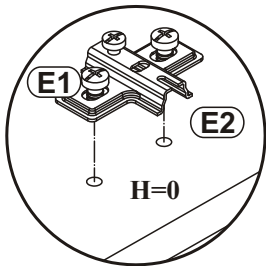
A1 x12  ø8x30	B4 x12 	B5 x12  ø15x12	G5 x12 	E2 x4  H=0	E21 x4  H=0 Ø35
T1 x2 	BO1 x4 	S1 x12 	ZX x3 	KR2 x3 	D10 x14  USØ3,5x16
G2 x1 	E1 x8  ø6,3x13				



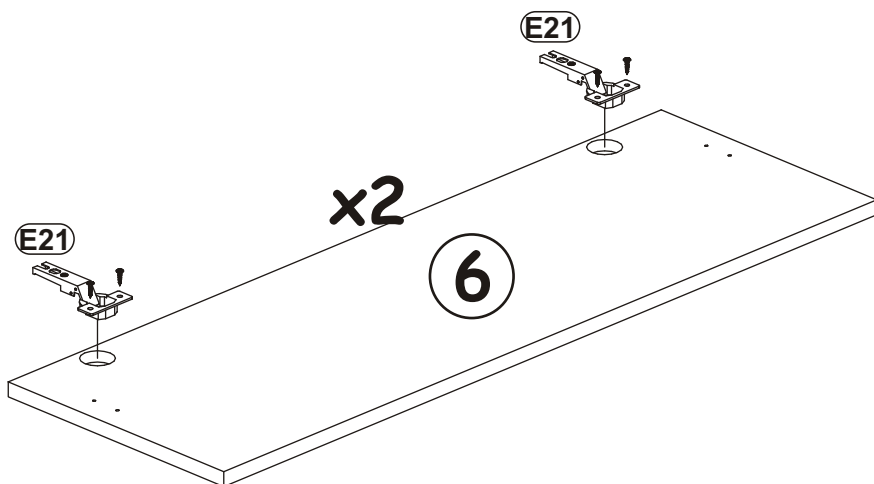
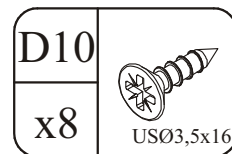
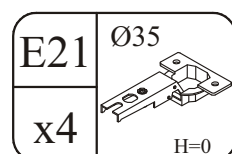
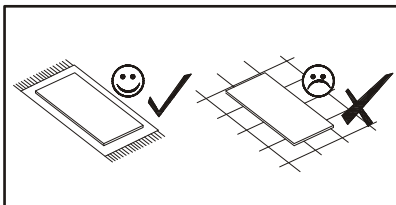
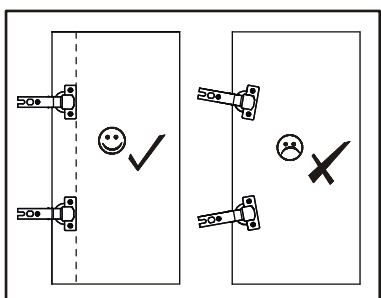
1



2

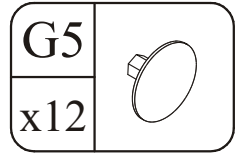
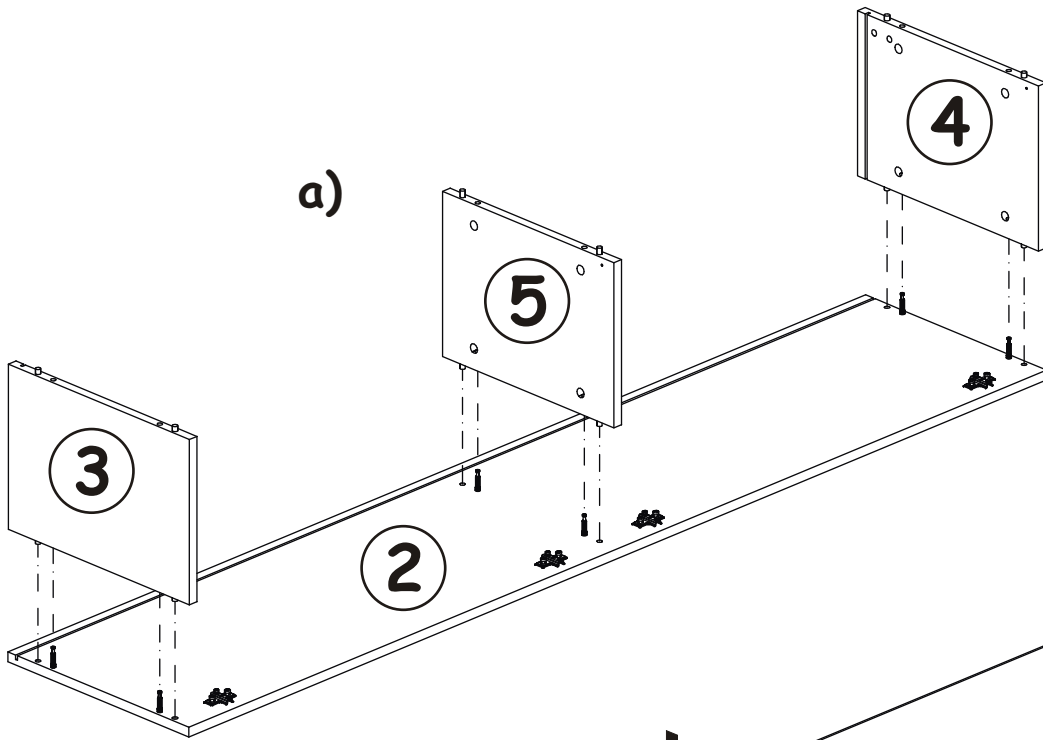


3

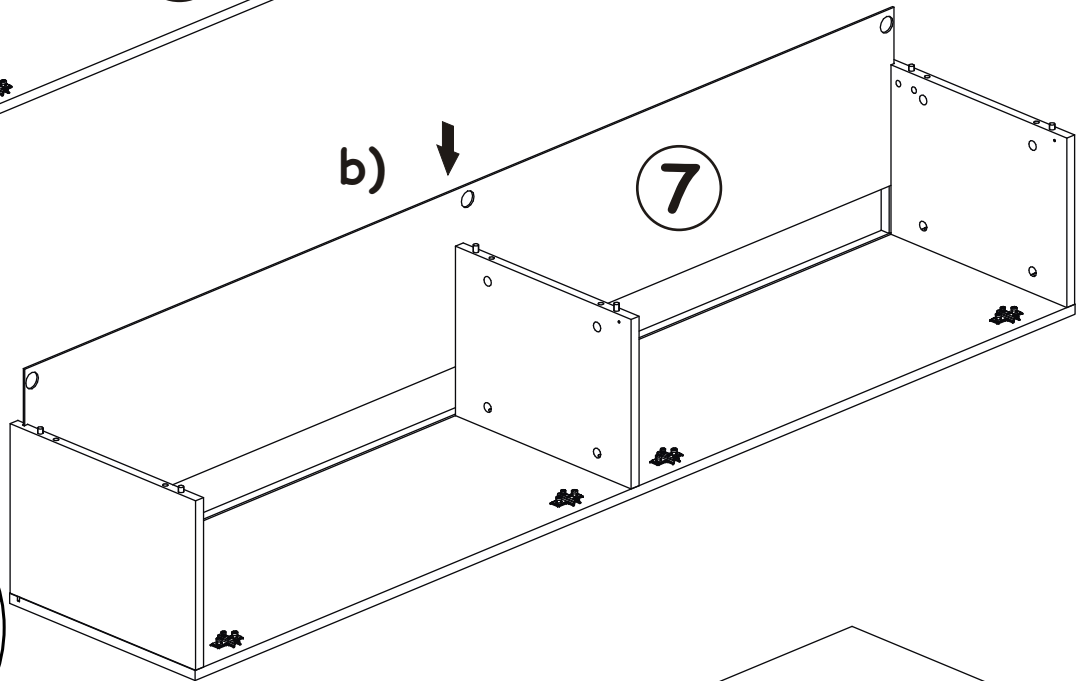


4

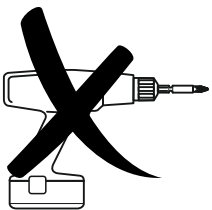
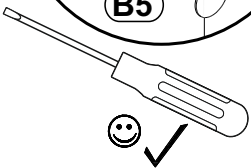
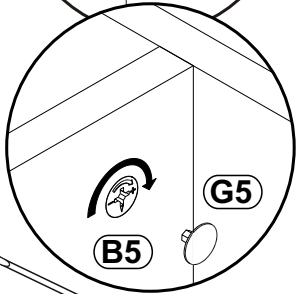
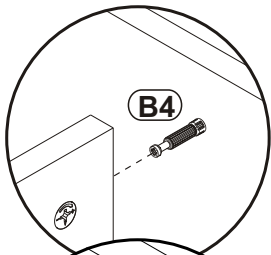
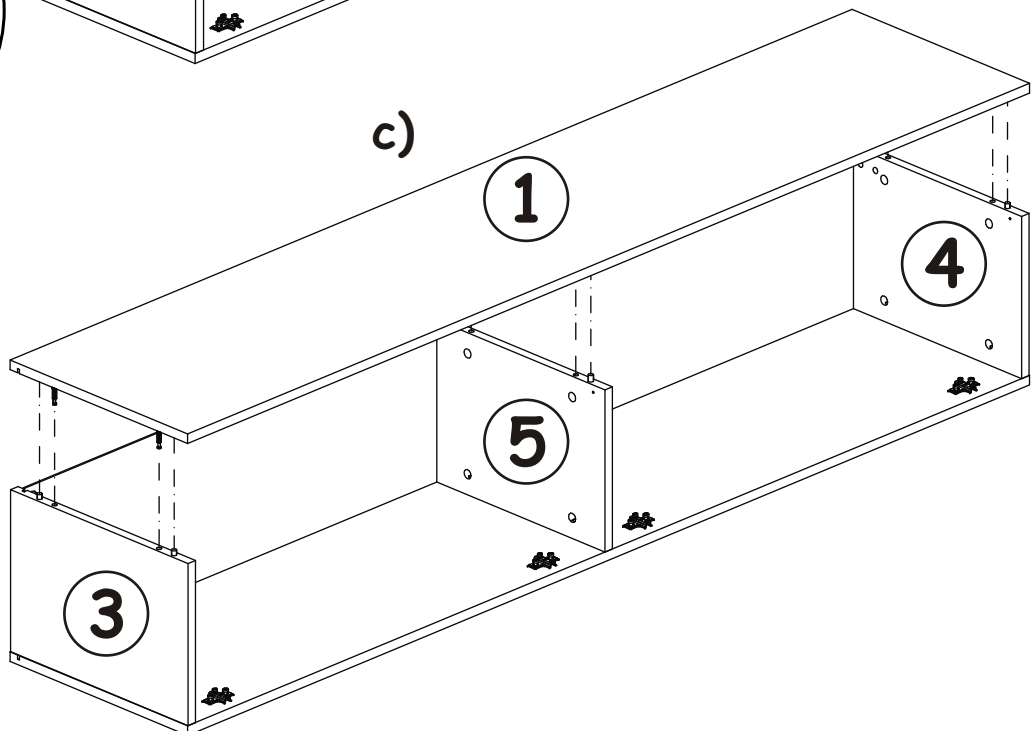
a)



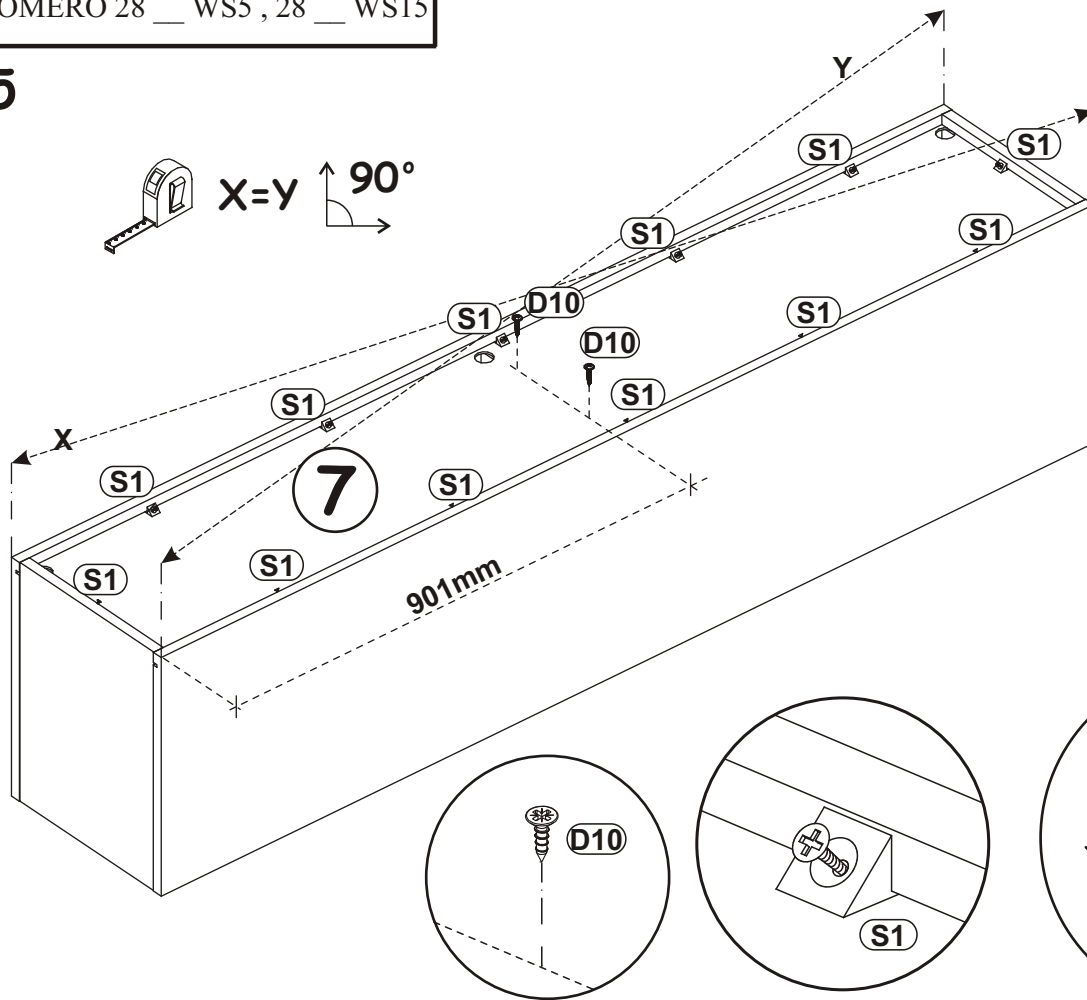
b)





c)

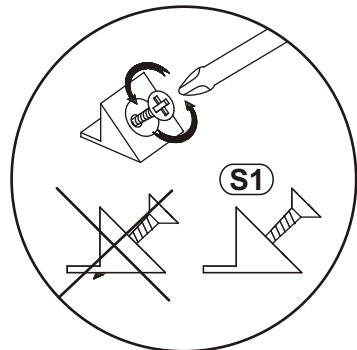
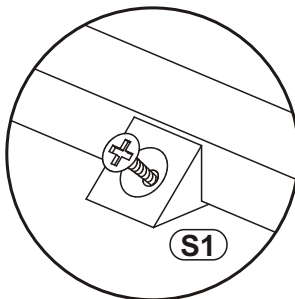
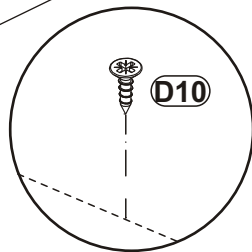


5

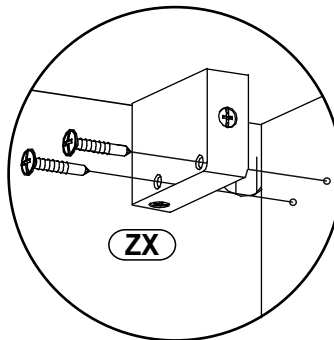
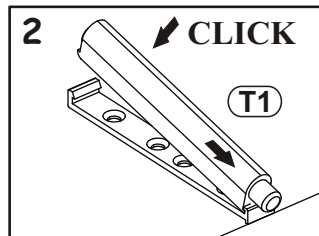
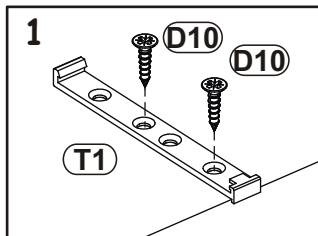


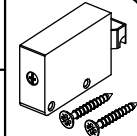
D10	
x2	USØ3,5x16

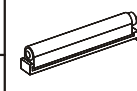
S1	
x12	

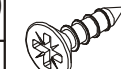


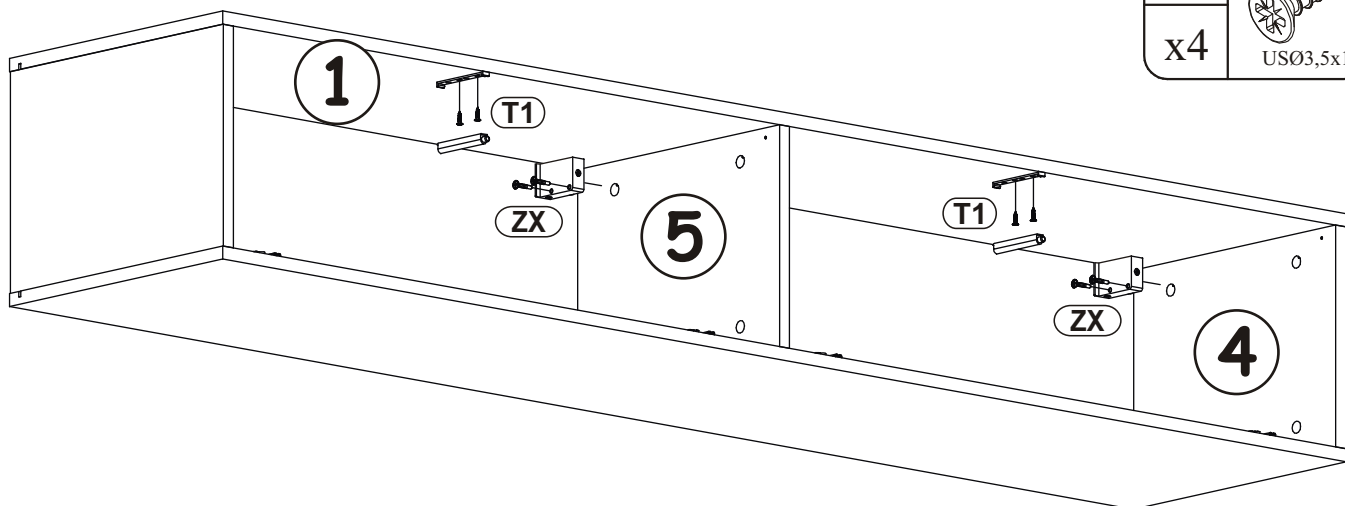
6



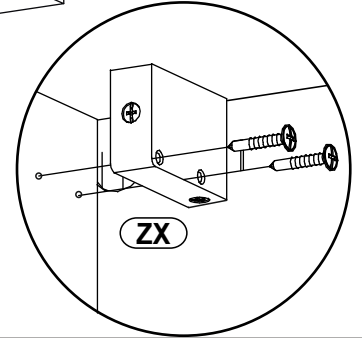
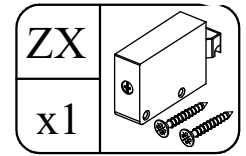
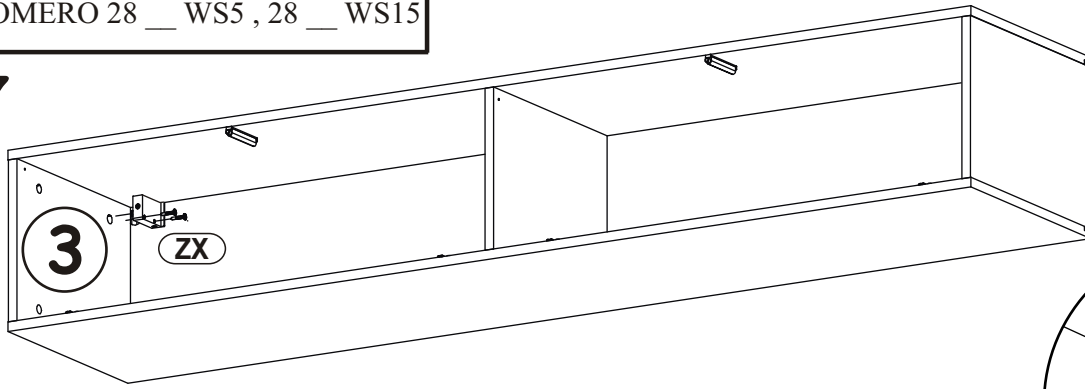
ZX	
x2	

T1	
x2	

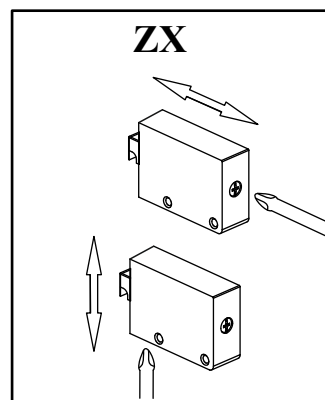
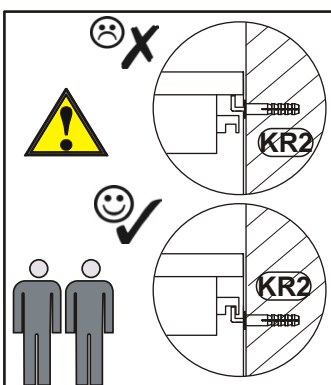
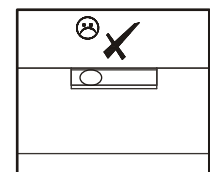
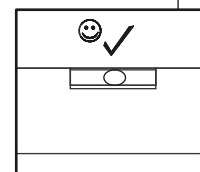
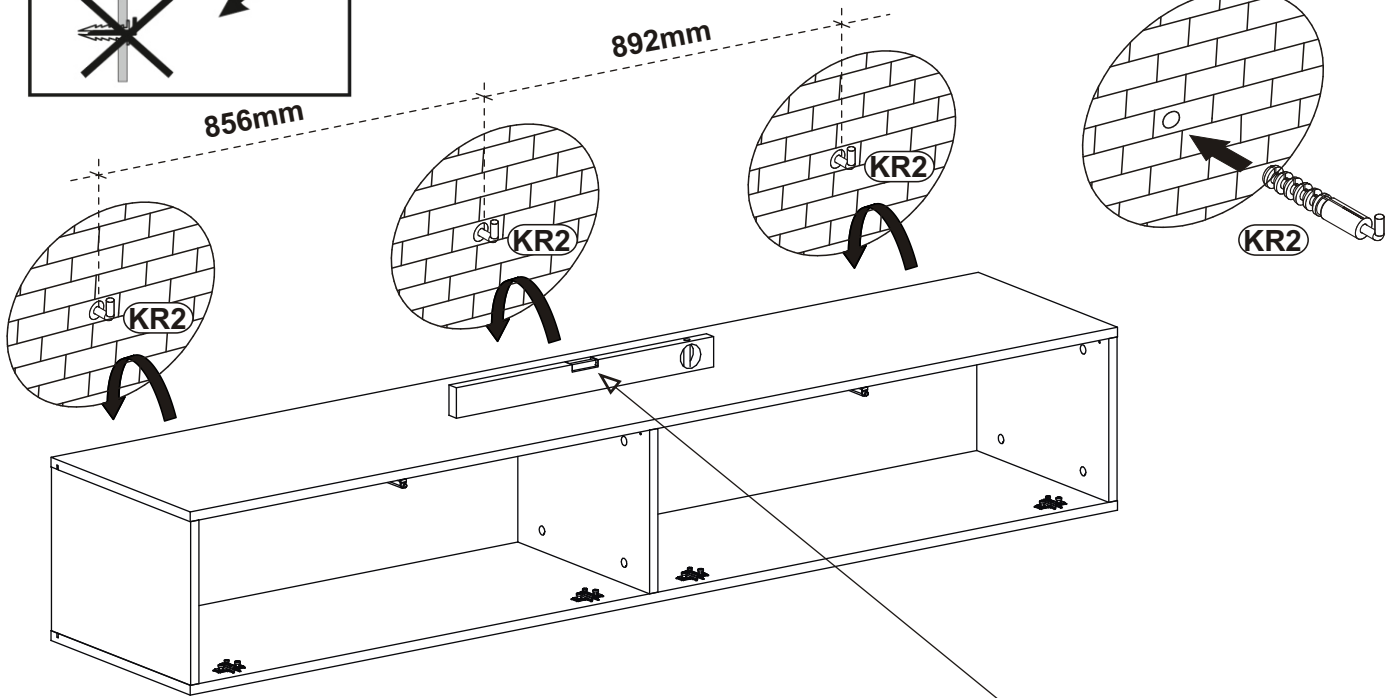
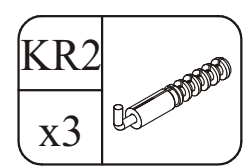
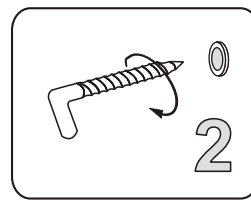
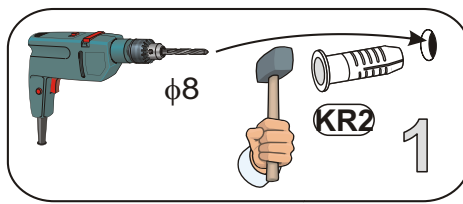
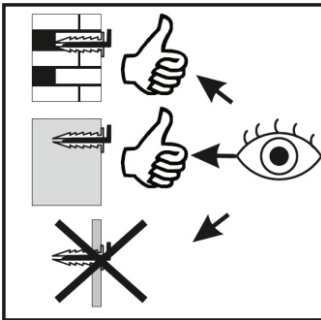
D10	
x4	USØ3,5x16



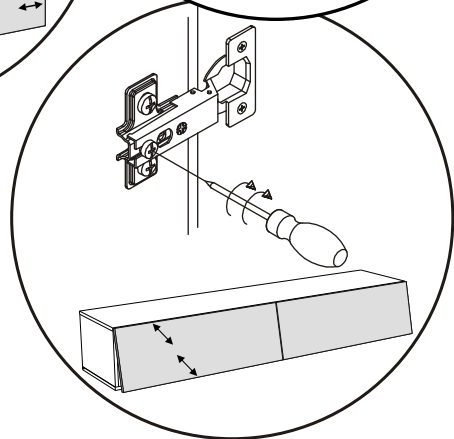
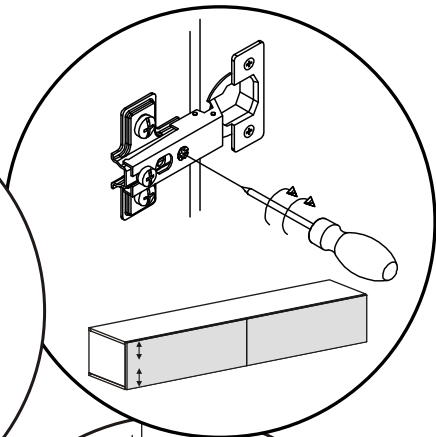
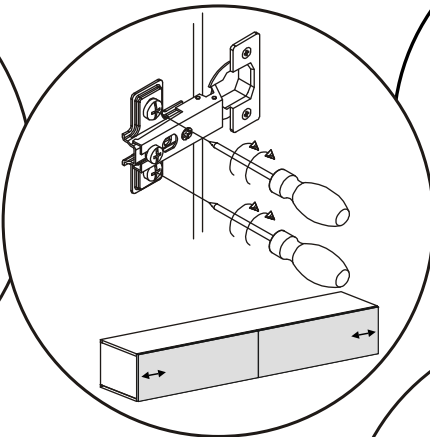
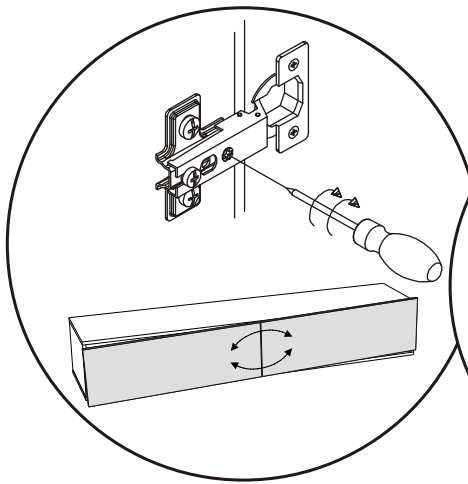
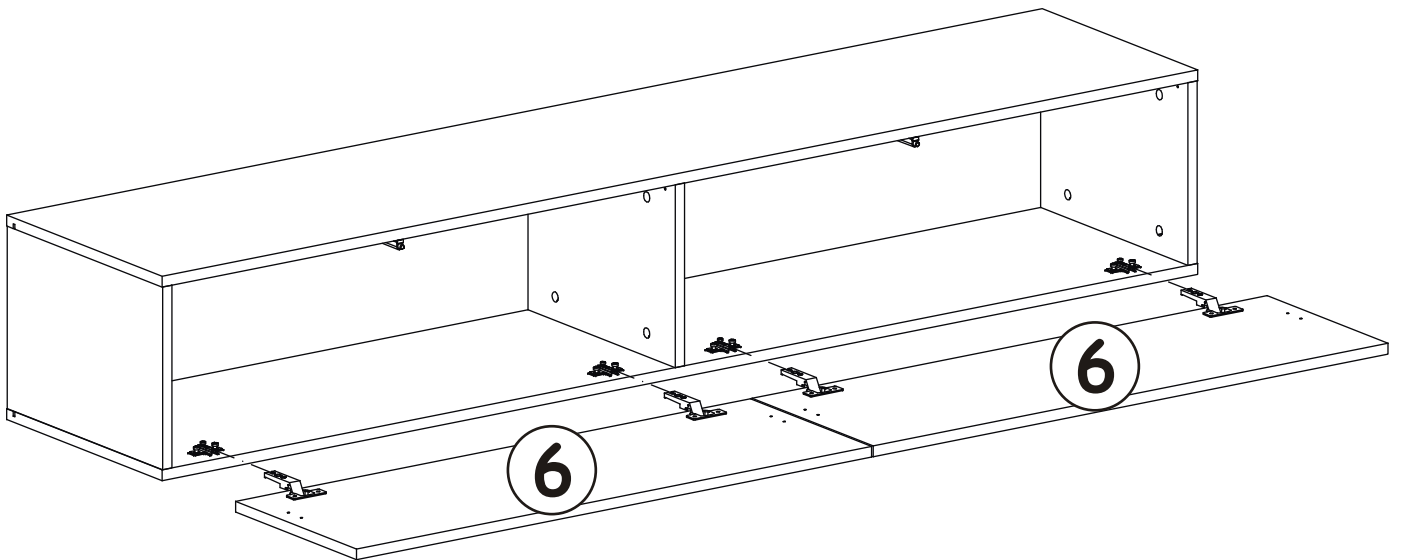
7

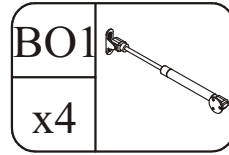


8



9





10

