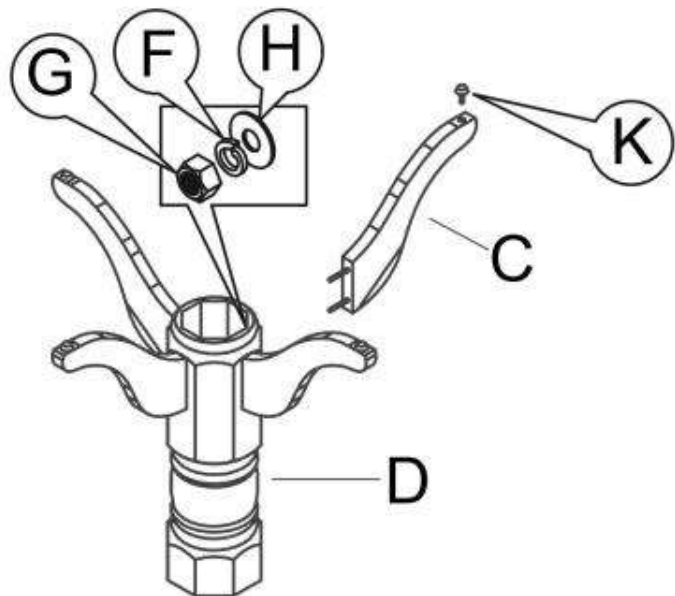
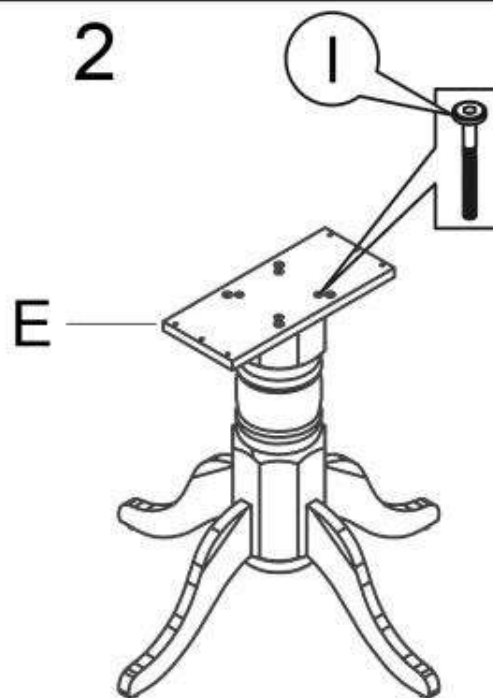


WILLIAM

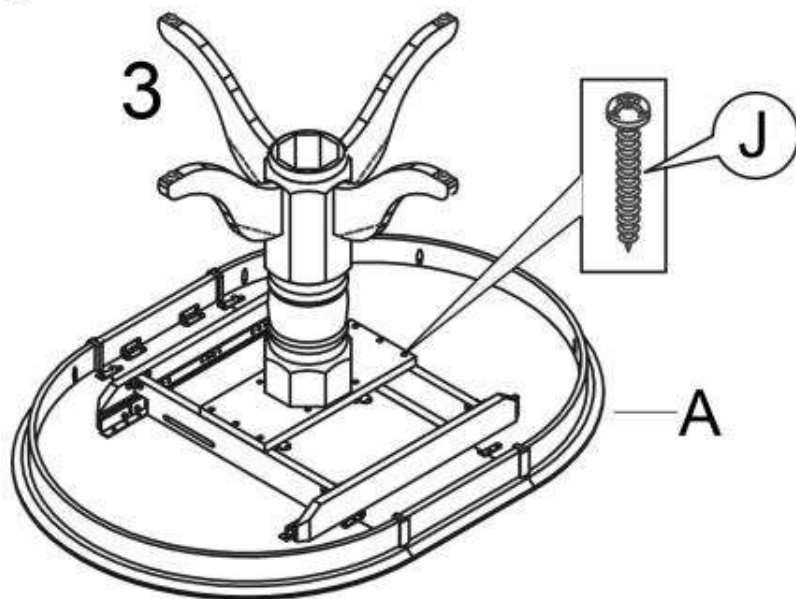
1












2



3



A		1
C		4
D		1
E		1
F	 5/16	8
G	 M8	8
H	 5/16x1.0	8
I	 M6x40	4
J	 M4x38	6
K	 M6x16	4

 max. 30 kg



v.3