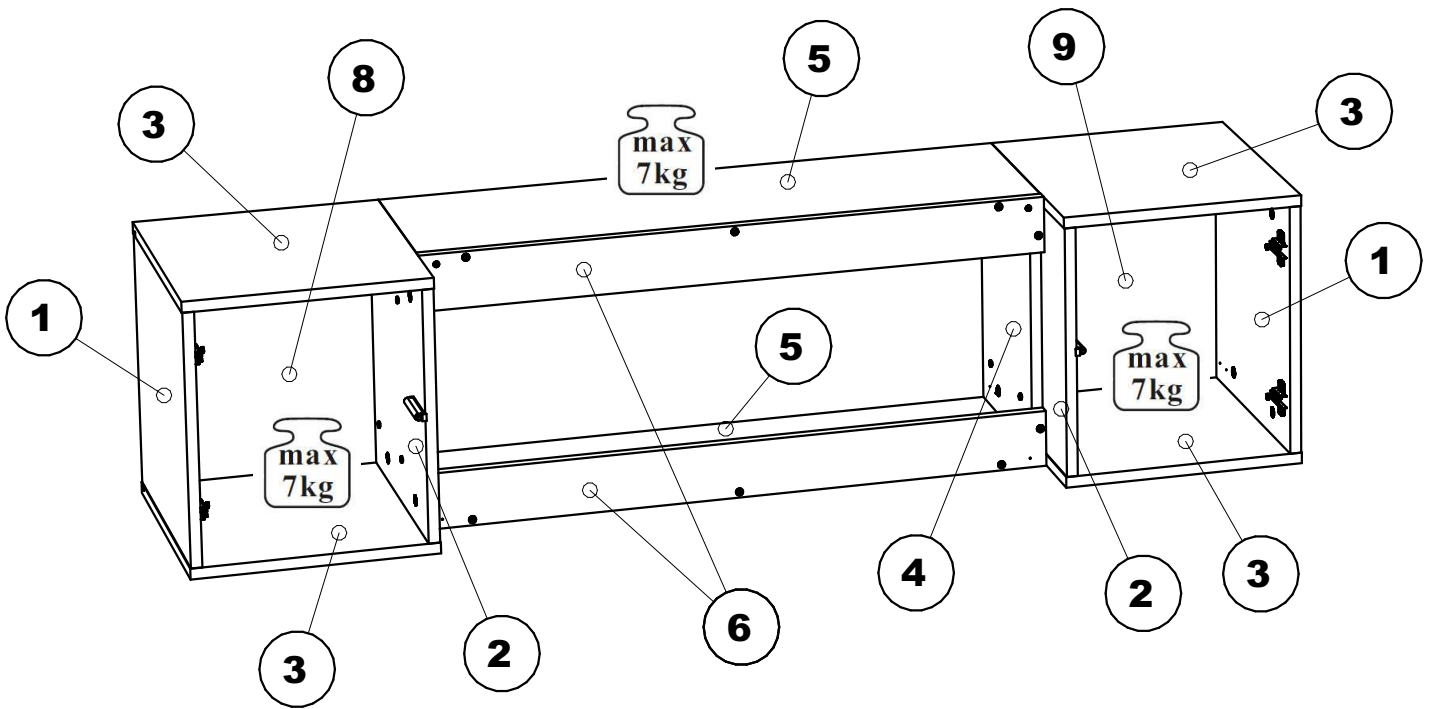
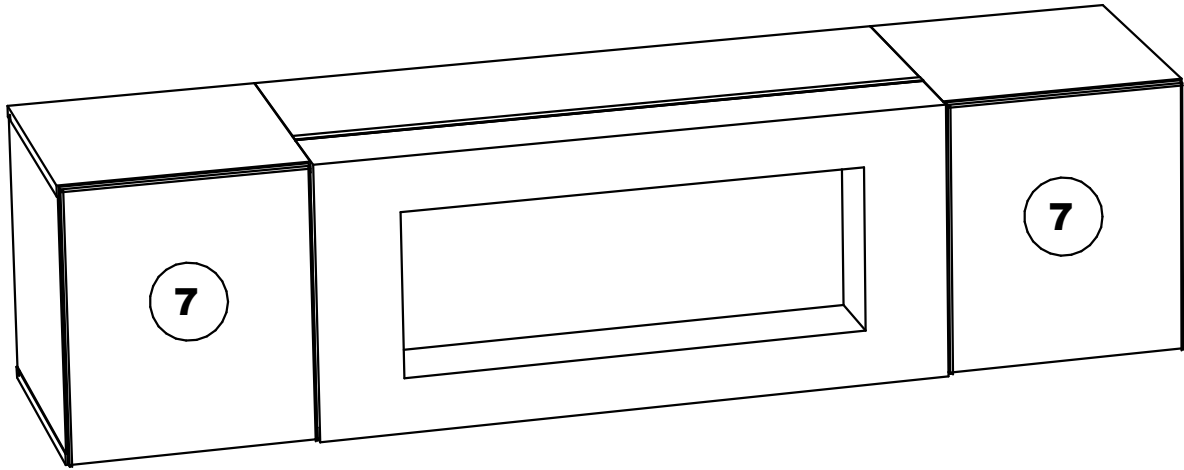
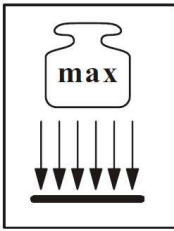
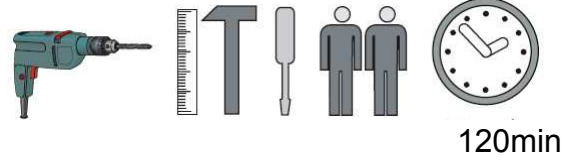


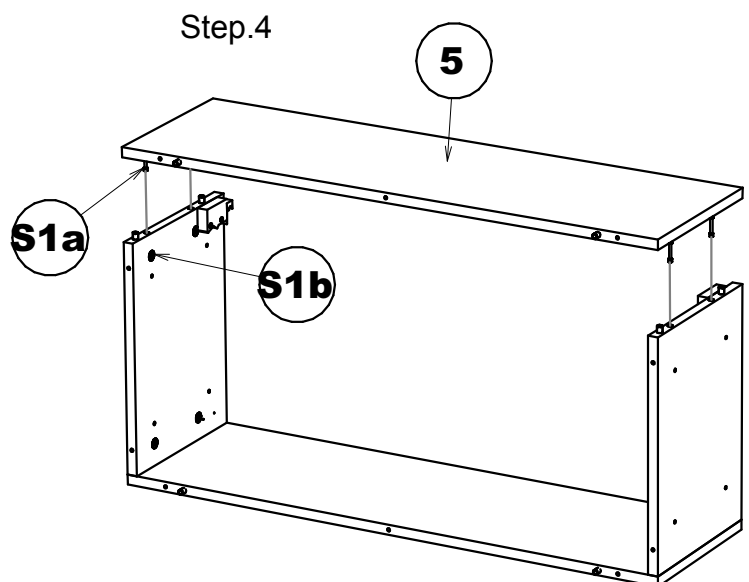
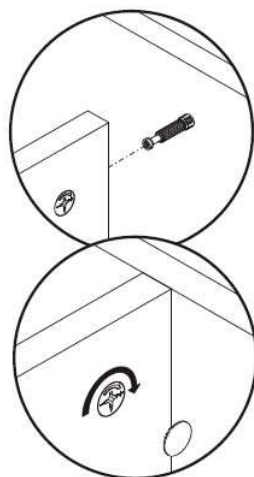
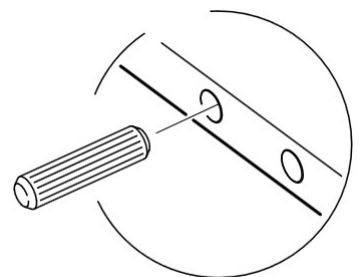
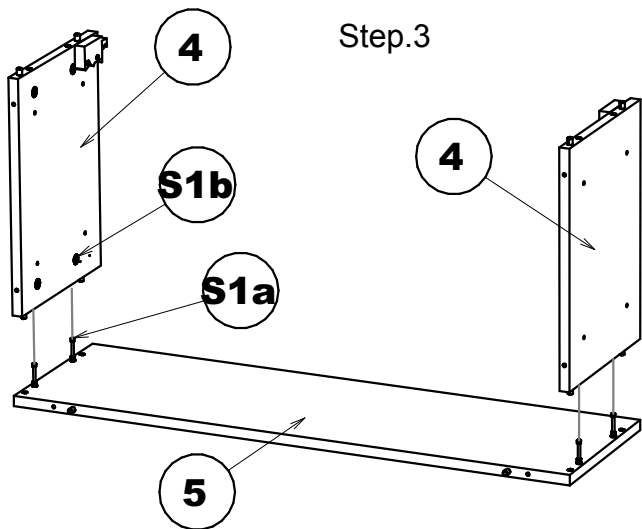
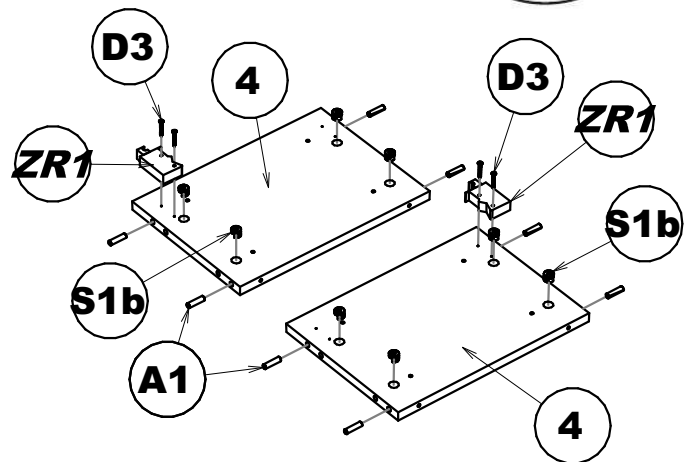
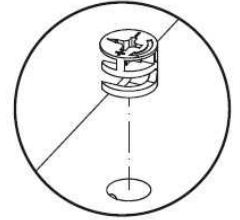
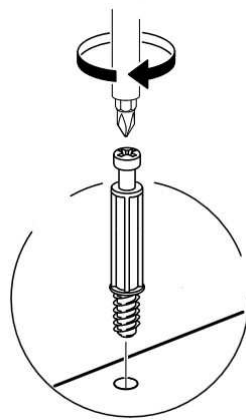
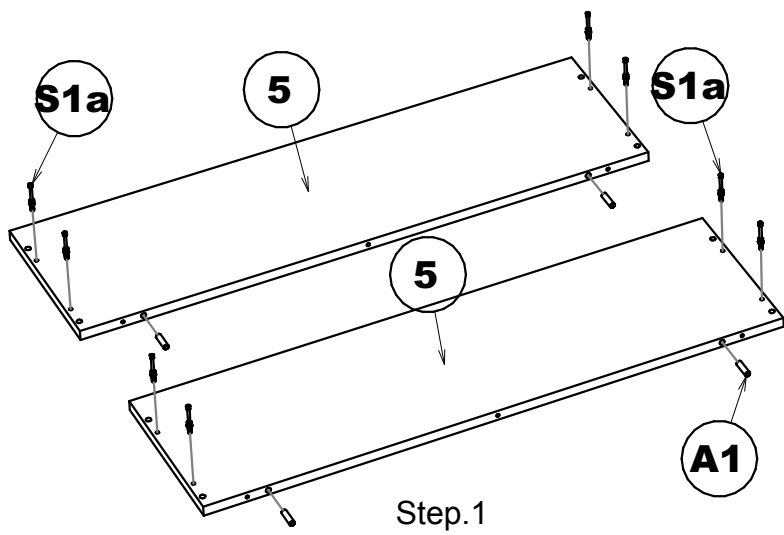
FLY 28 -- FY SBK

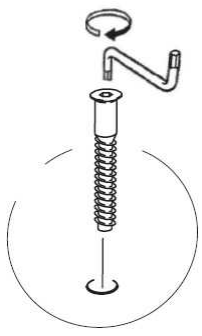


No	Dim.			Qty.
1	368	384	16	2
2	368	384	16	2
3	350	384	16	4
4	368	264	16	2
5	900	264	16	2
6	82	901	16	2
7	396	344	16	2
8	380	328	3,2	1
9	380	328	3,2	1

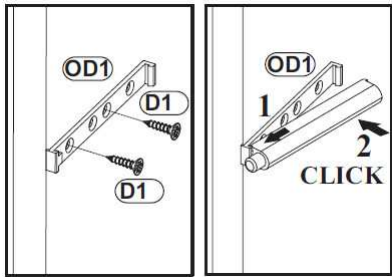
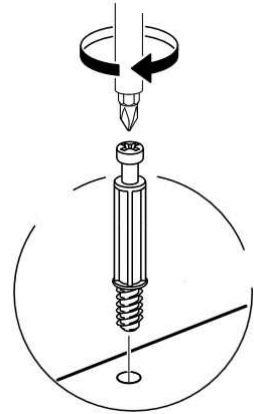
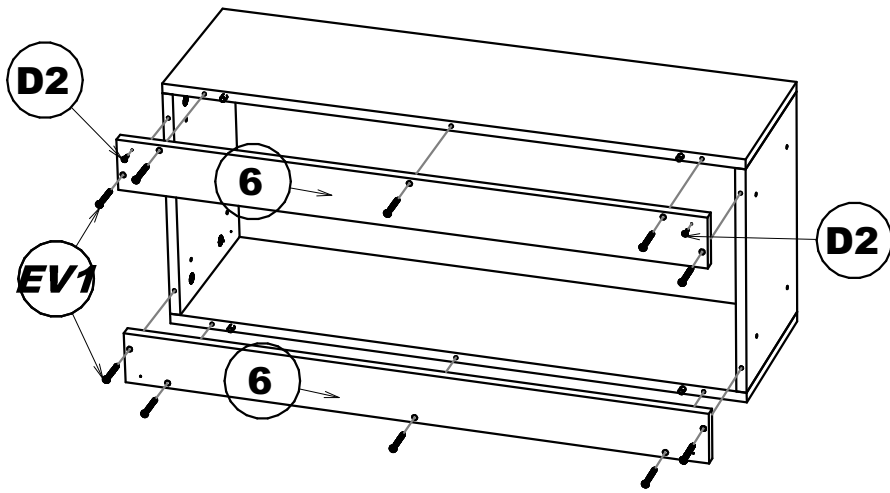


120min



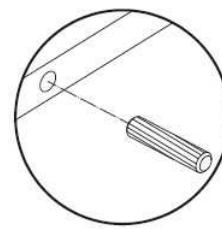
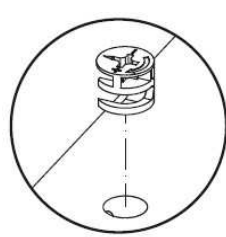
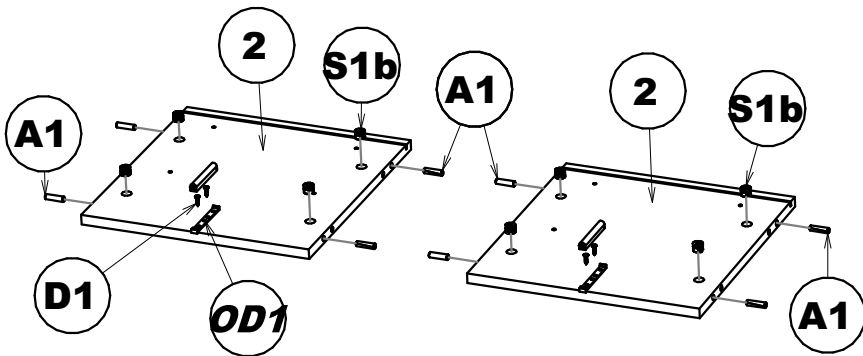
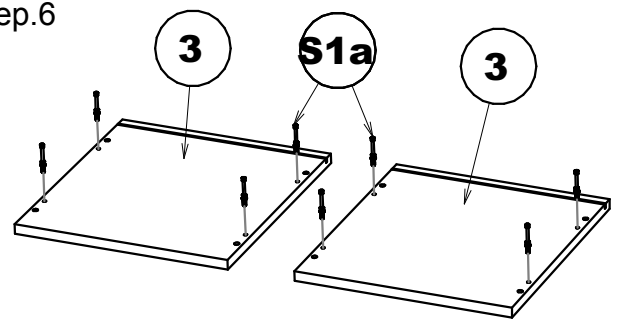


Step.5

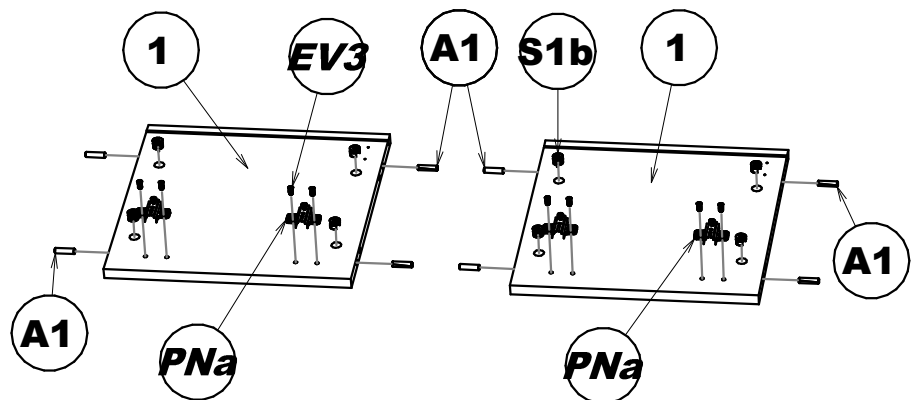
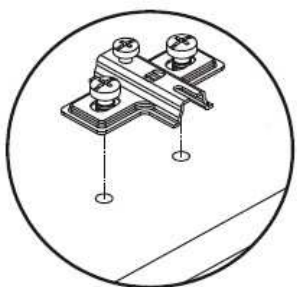


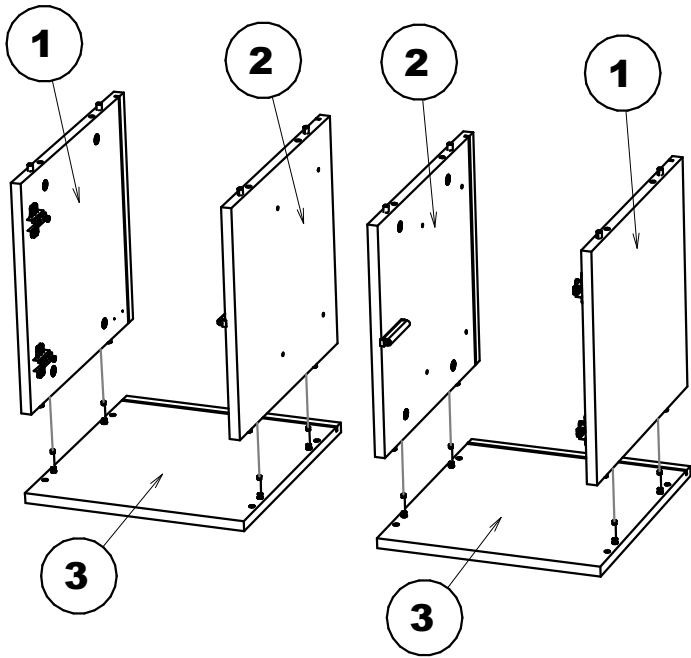
Step.7

Step.6

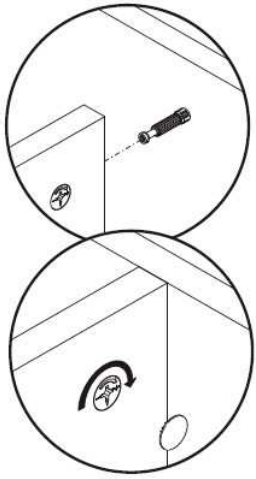


Step.8

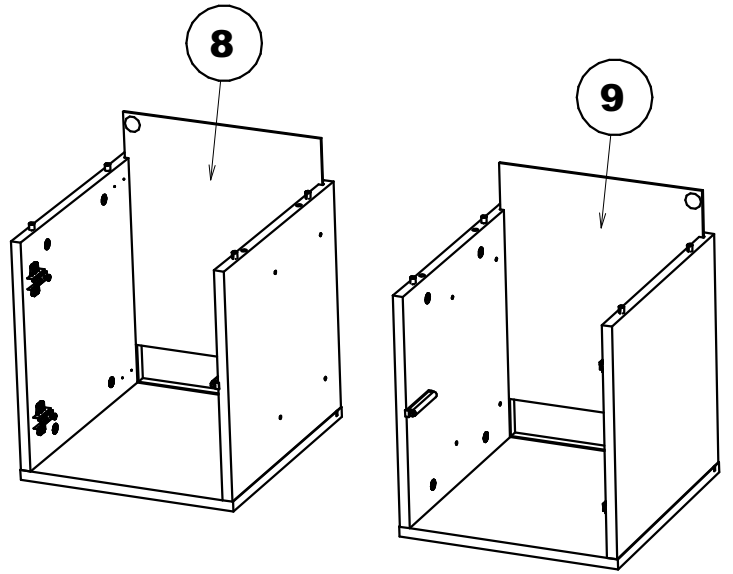




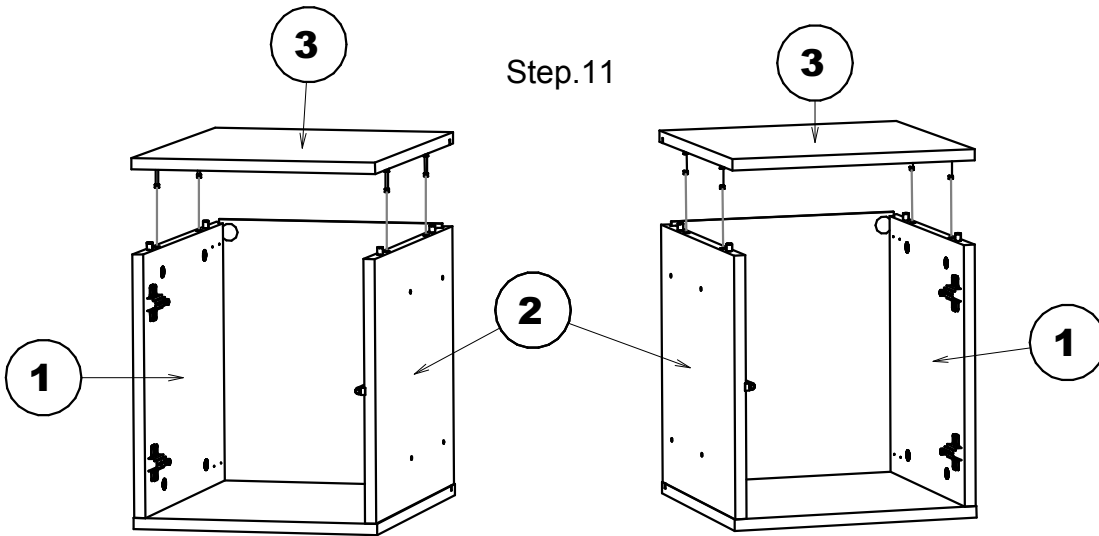
Step.9

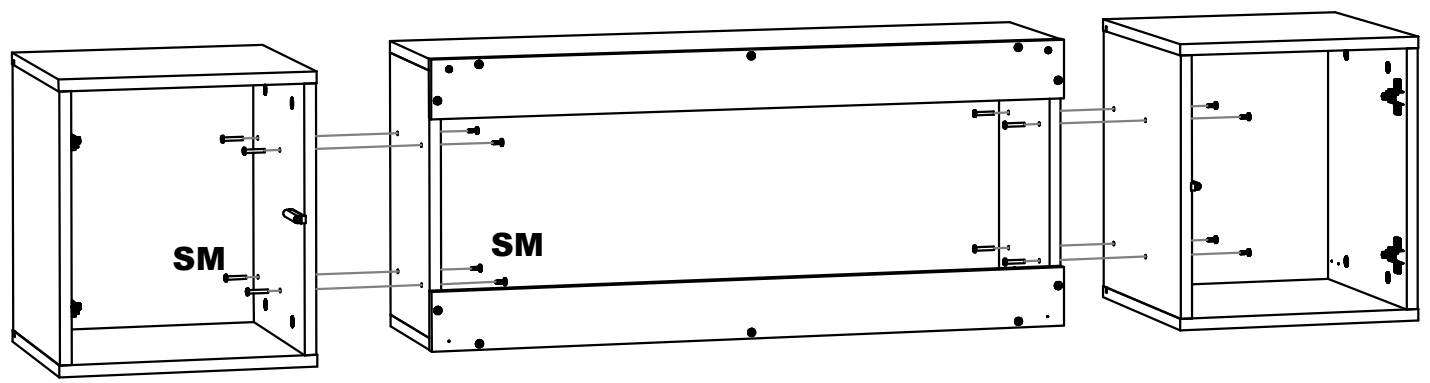
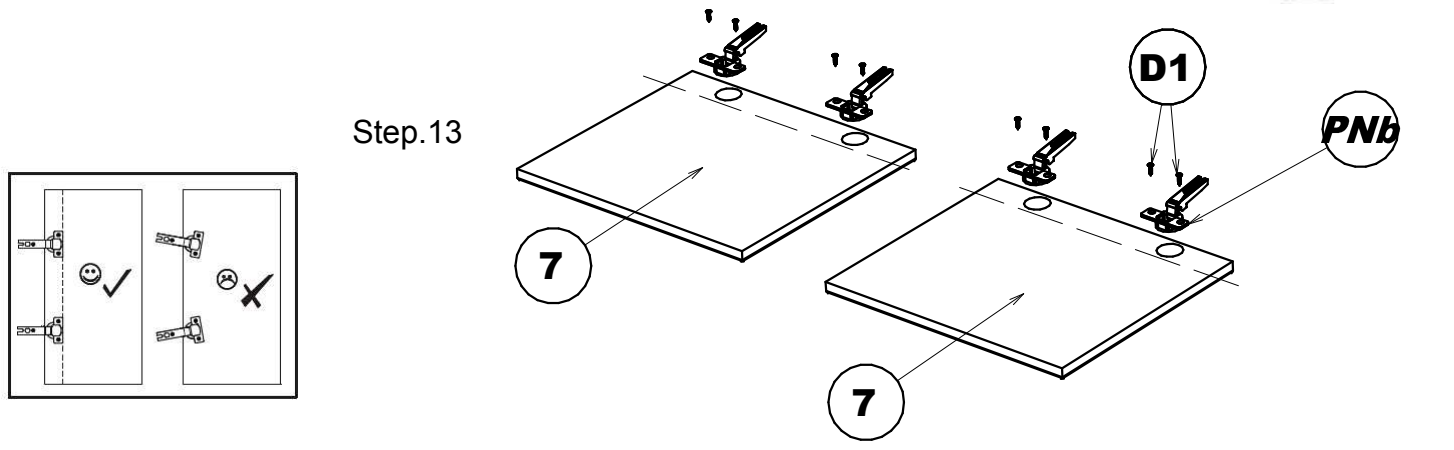
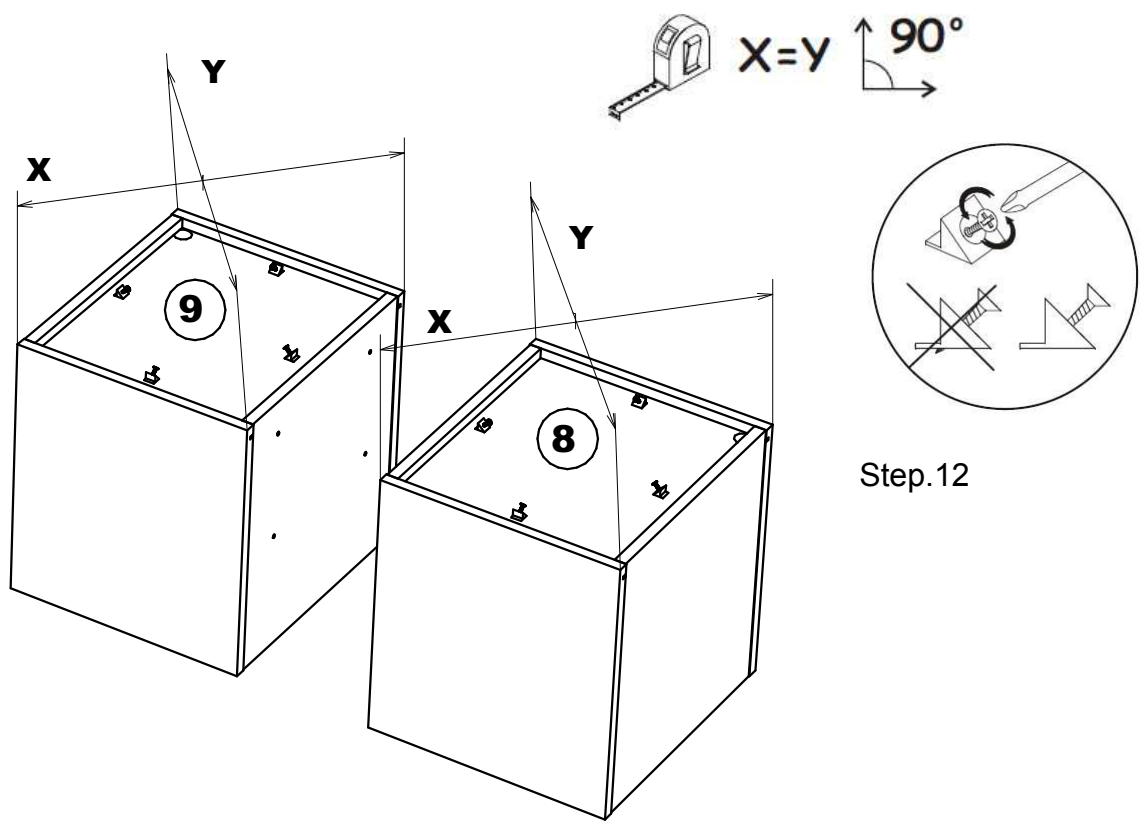


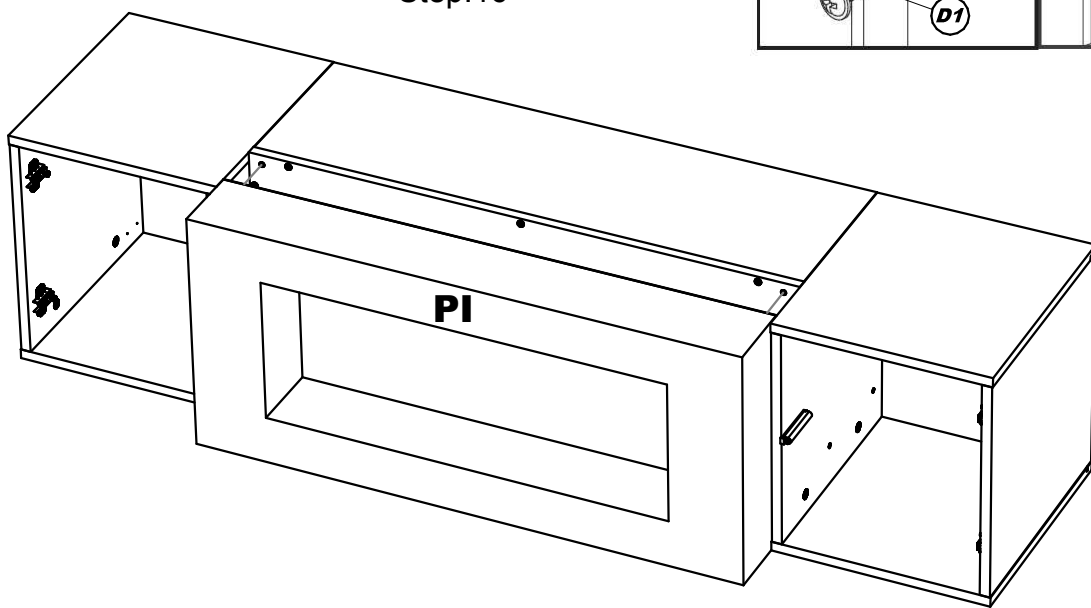
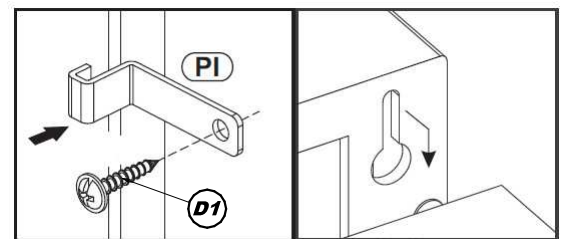
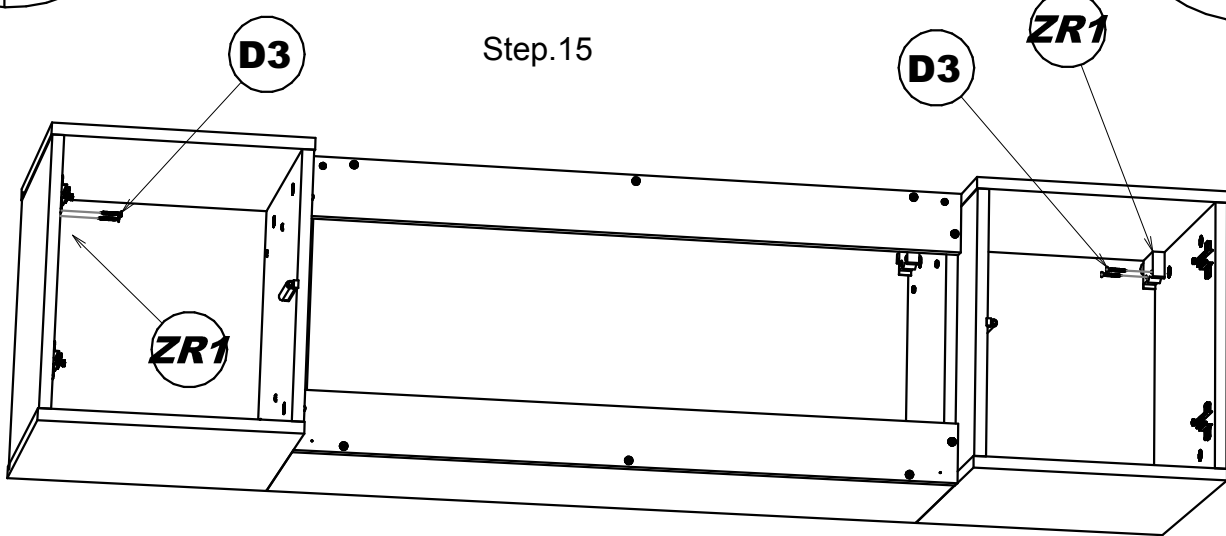
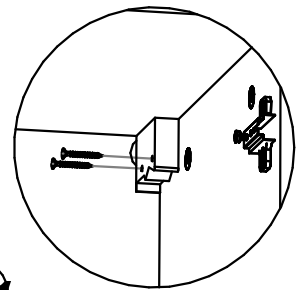
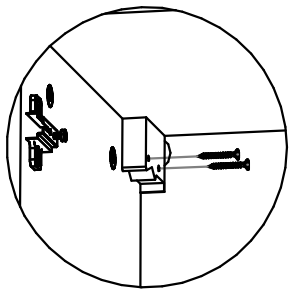
Step.10

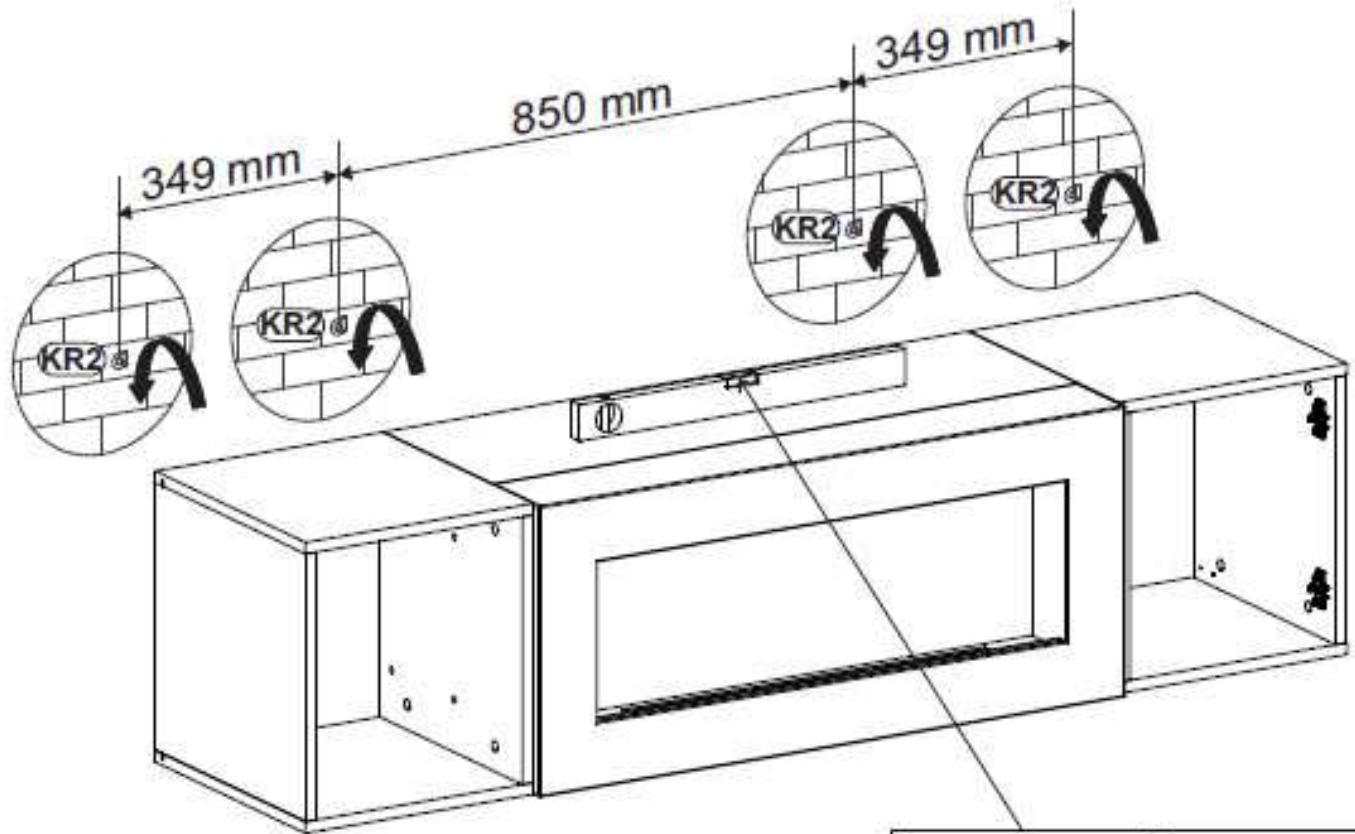
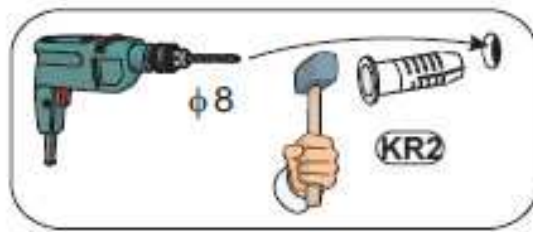
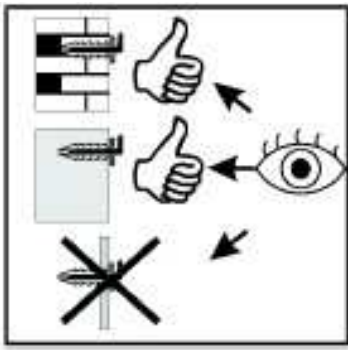


Step.11

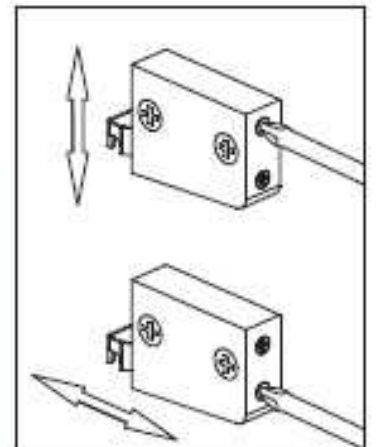
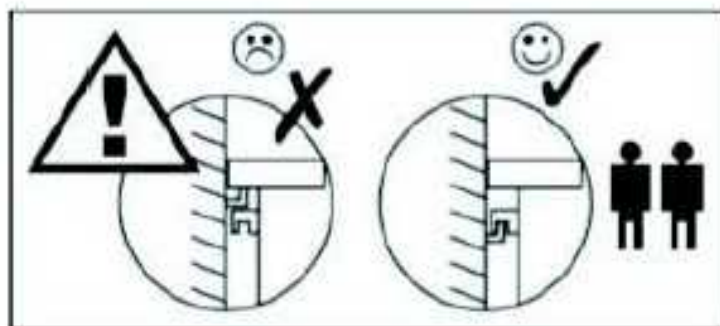
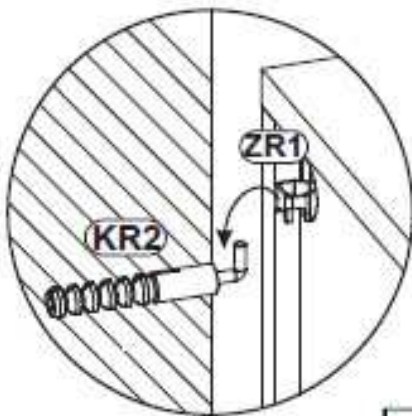
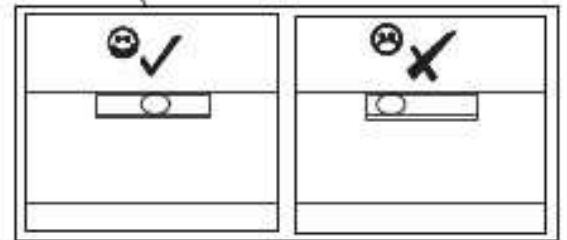




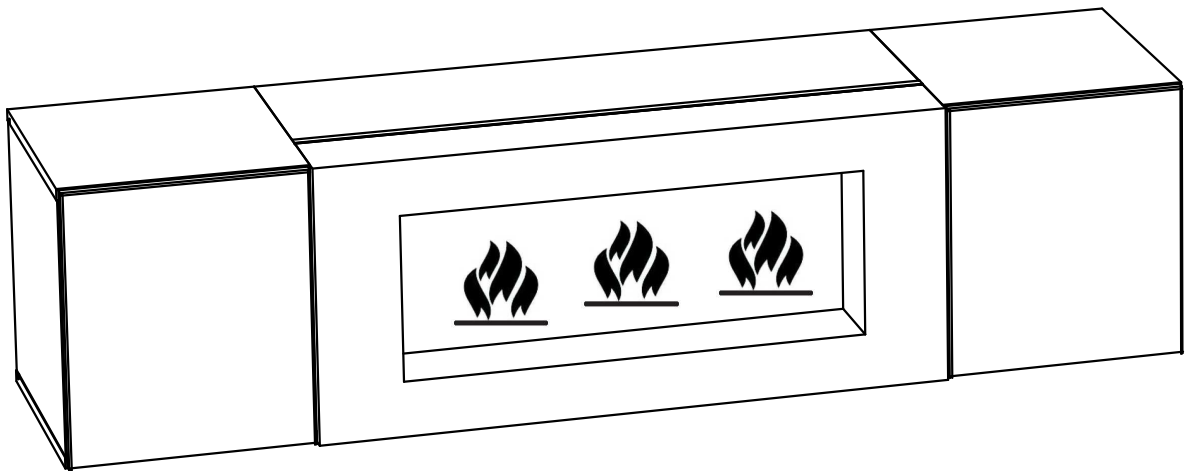
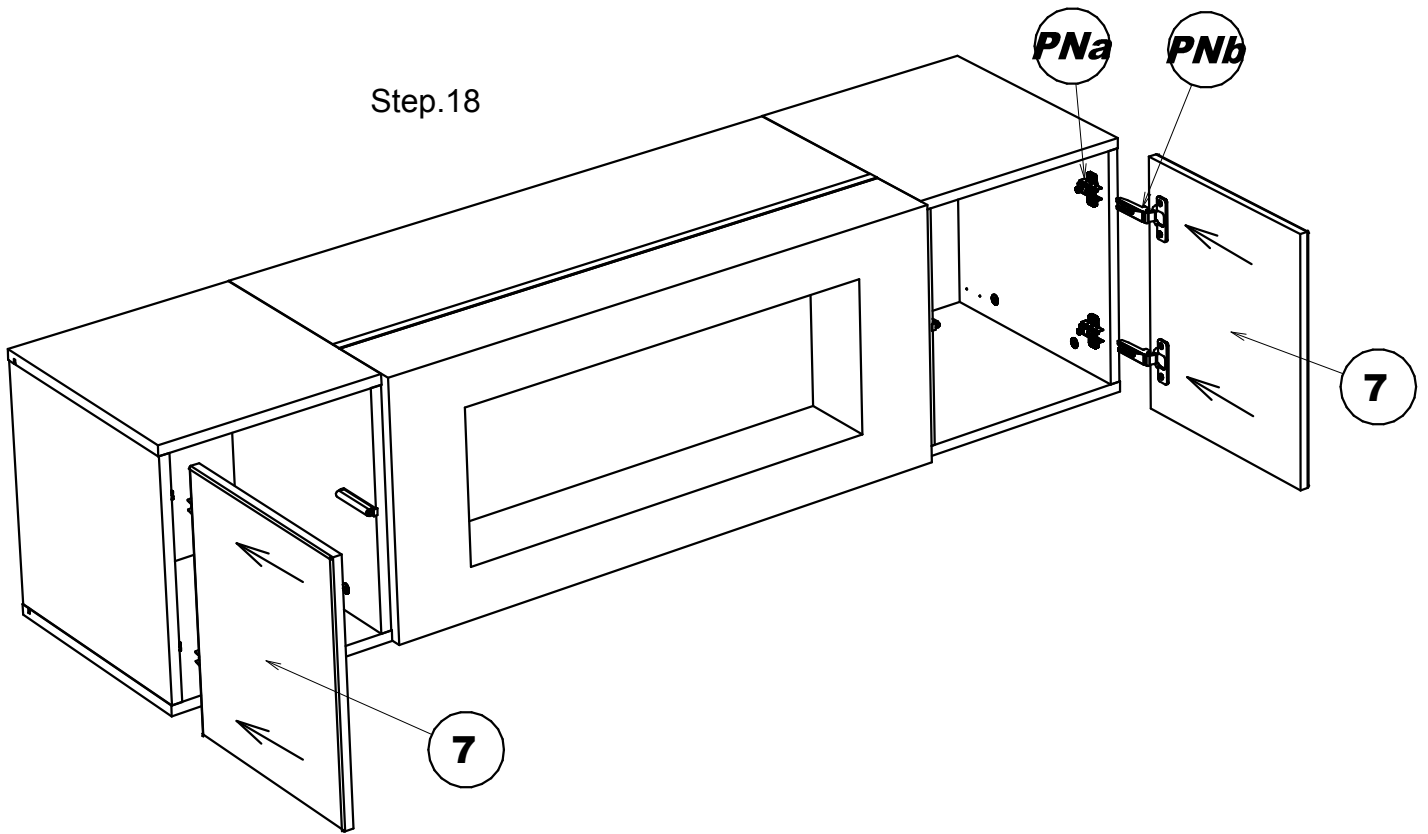




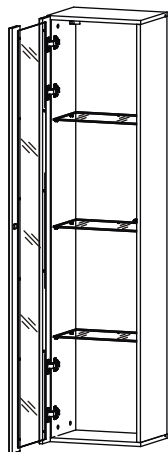
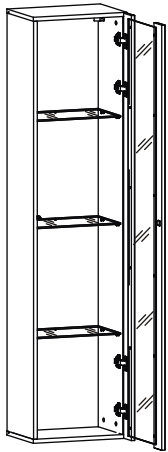
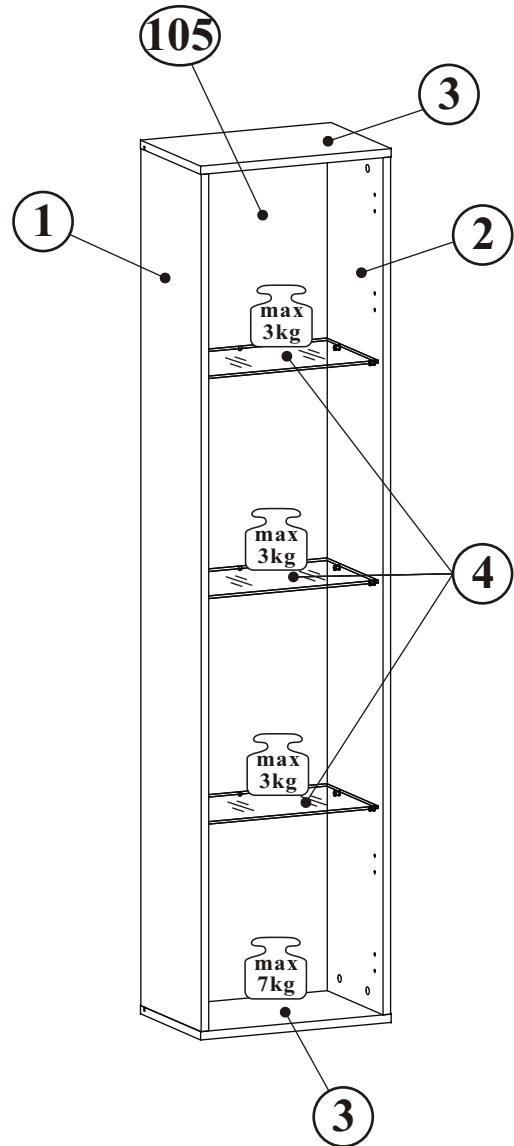
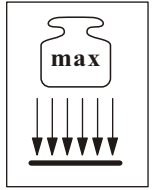
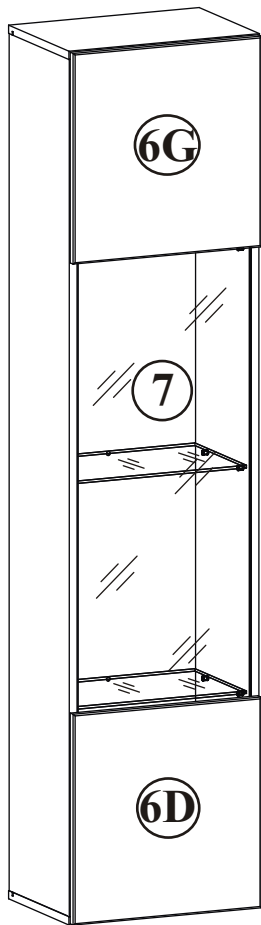
Step.17



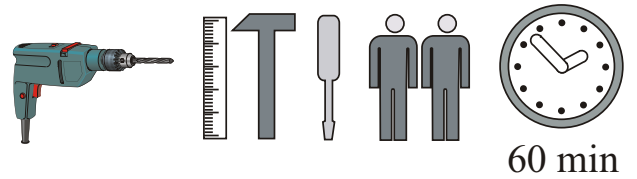
Step.18



FLY 28 -- FY 42-C

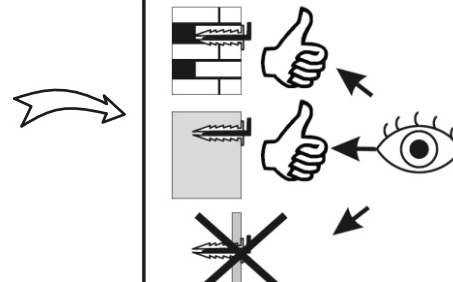
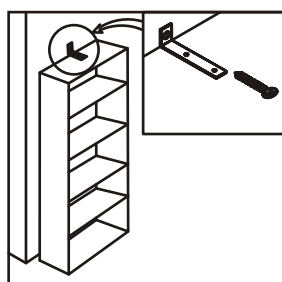
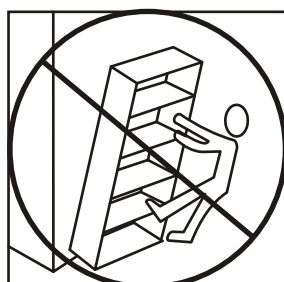
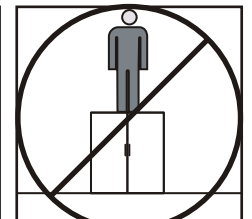
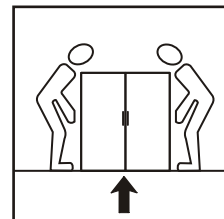
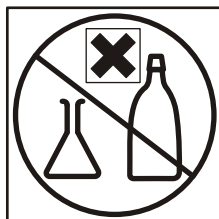
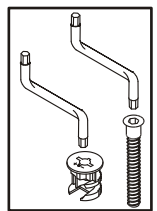
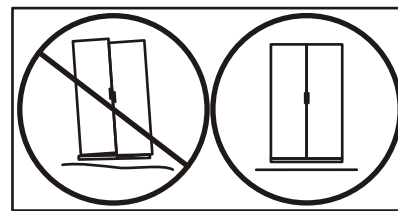
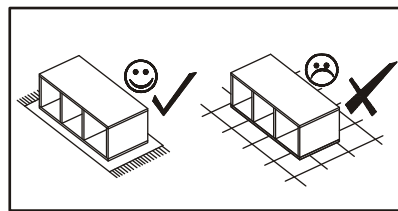
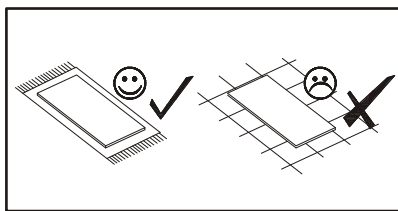
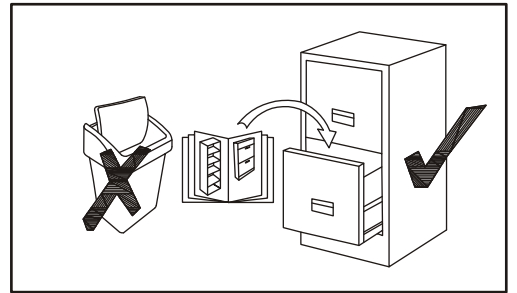
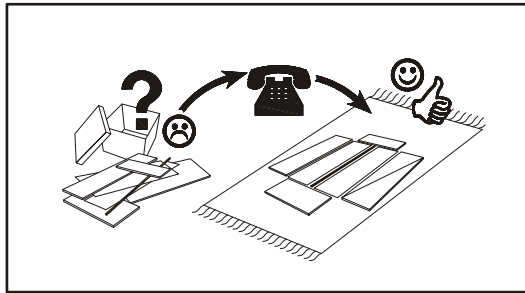
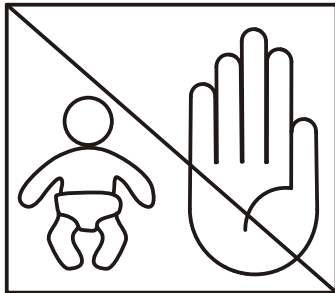
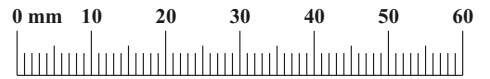


NO	Dim.		Col.-No	Qty
1	1668	274	1	1
2	1668	274	1	1
3	400	274	1	2
4	364	234	1	3
105	1680	378	1	1
6G	394	410	1	1
6D	394	410	1	1
7	925	362	1	1

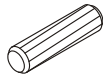
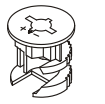
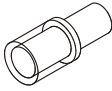


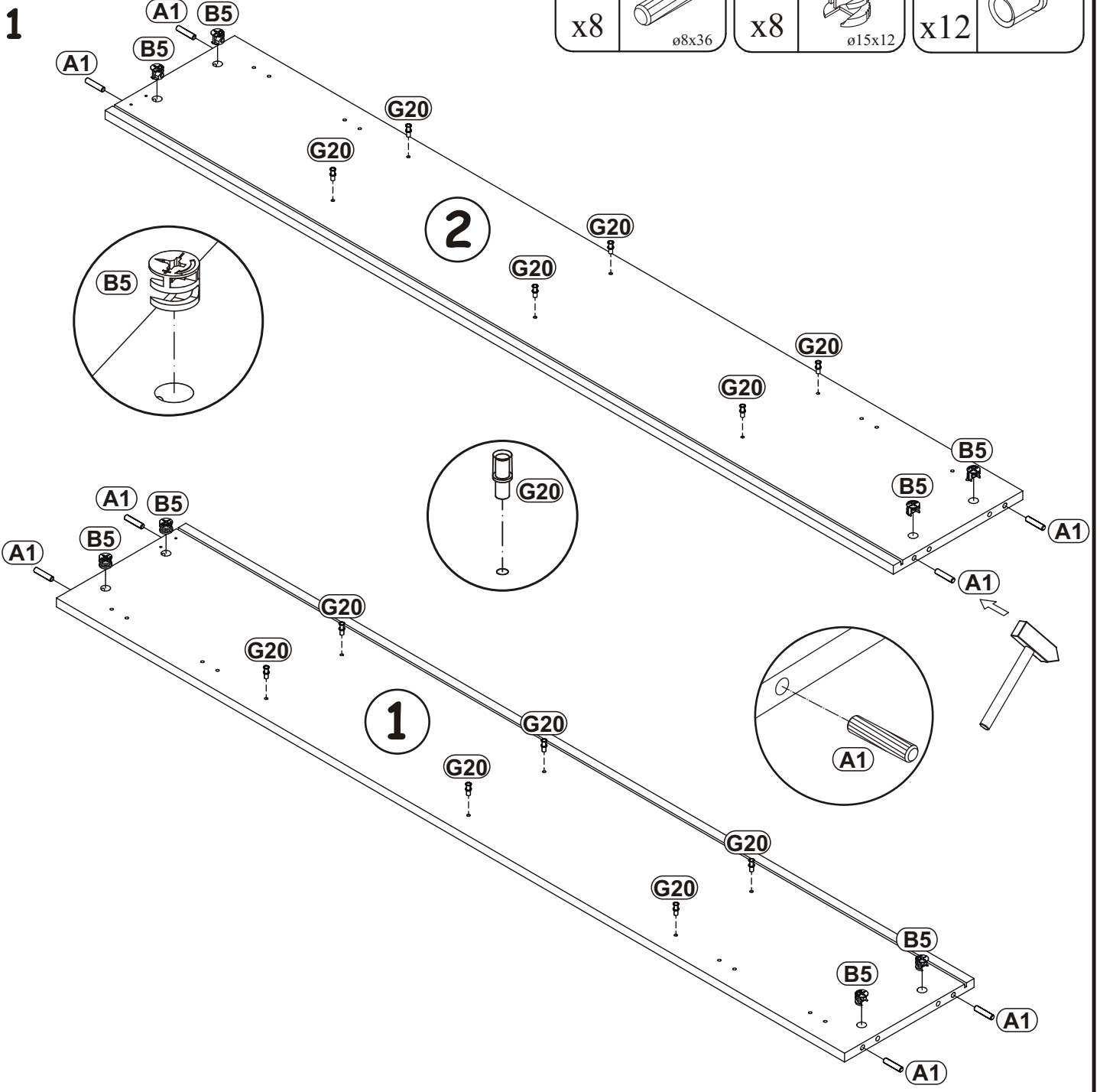
FLY 28--FY 42-C

A1 x8 ø8x36	B4 x8	B5 x8 ø15x12	G5 x8	ZR1 x2	D6 x4 USØ3,5x30
E2 x4 H=0	E1 x4 Ø26 H=0	D10 x10 USØ3,5x13	AM x1	G20 x12	Z2 x8 Ø5
P2 x6	UP13 x6 UPØ3x16	S1 x12	KR2 x2	G2 x1	

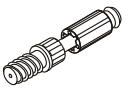


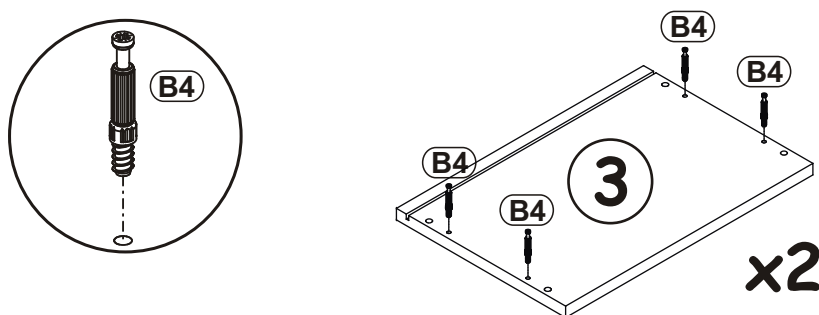
FLY 28--FY 42-C

A1		B5		G20	
x8	ø8x36	x8	ø15x12	x12	



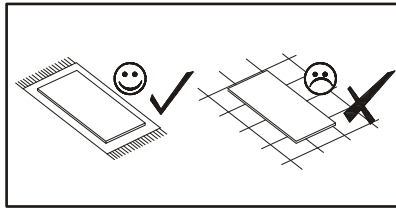
2

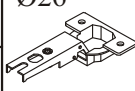
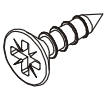
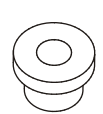
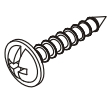
B4	
x8	

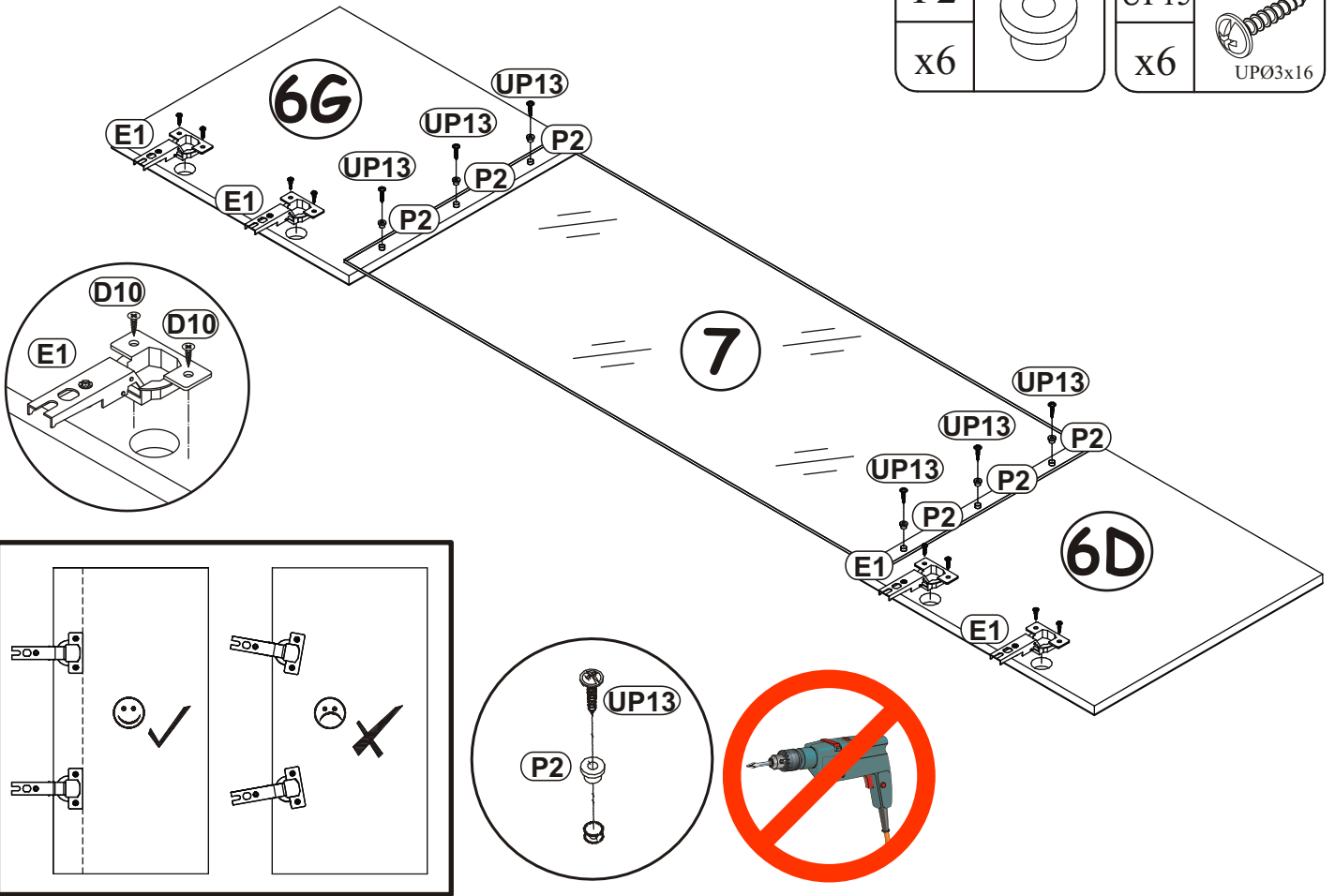


FLY 28--FY 42-C


3

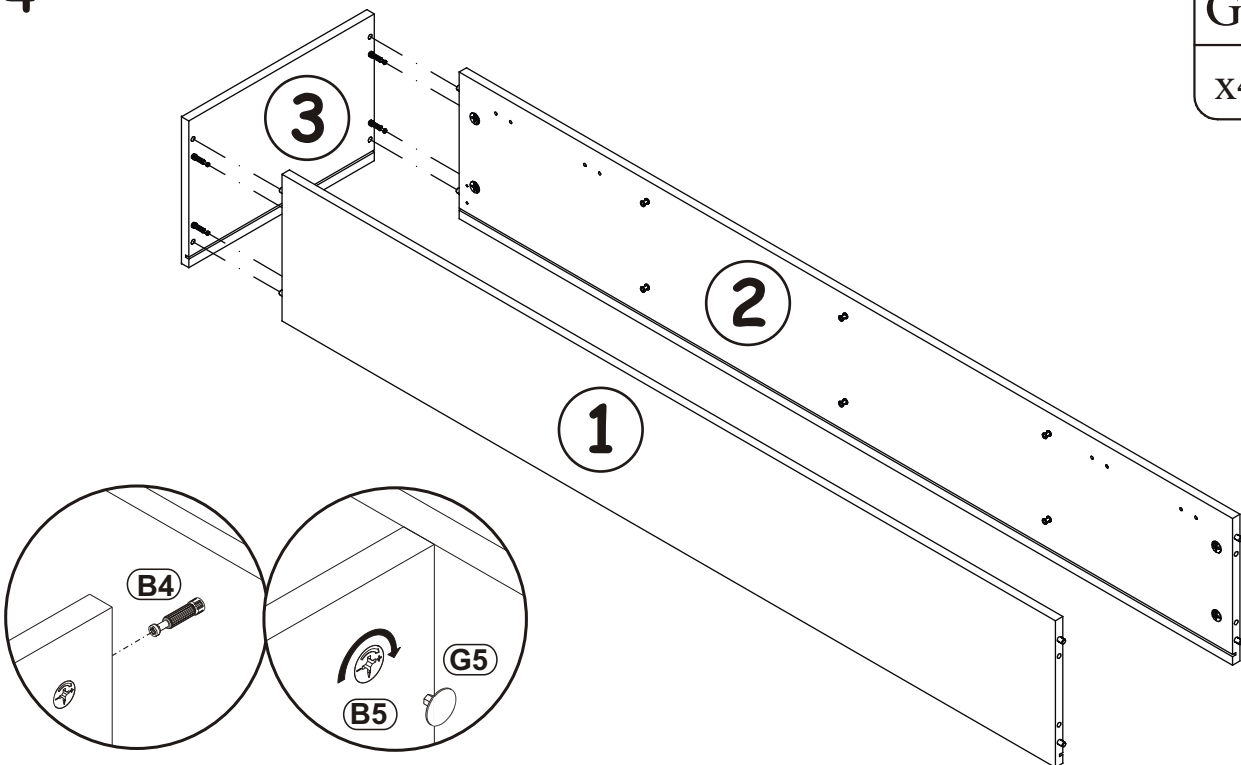



E1	Ø26	D10	
x4	 H=0	x8	 USØ3,5x13
P2		UP13	
x6		x6	 UPØ3x16



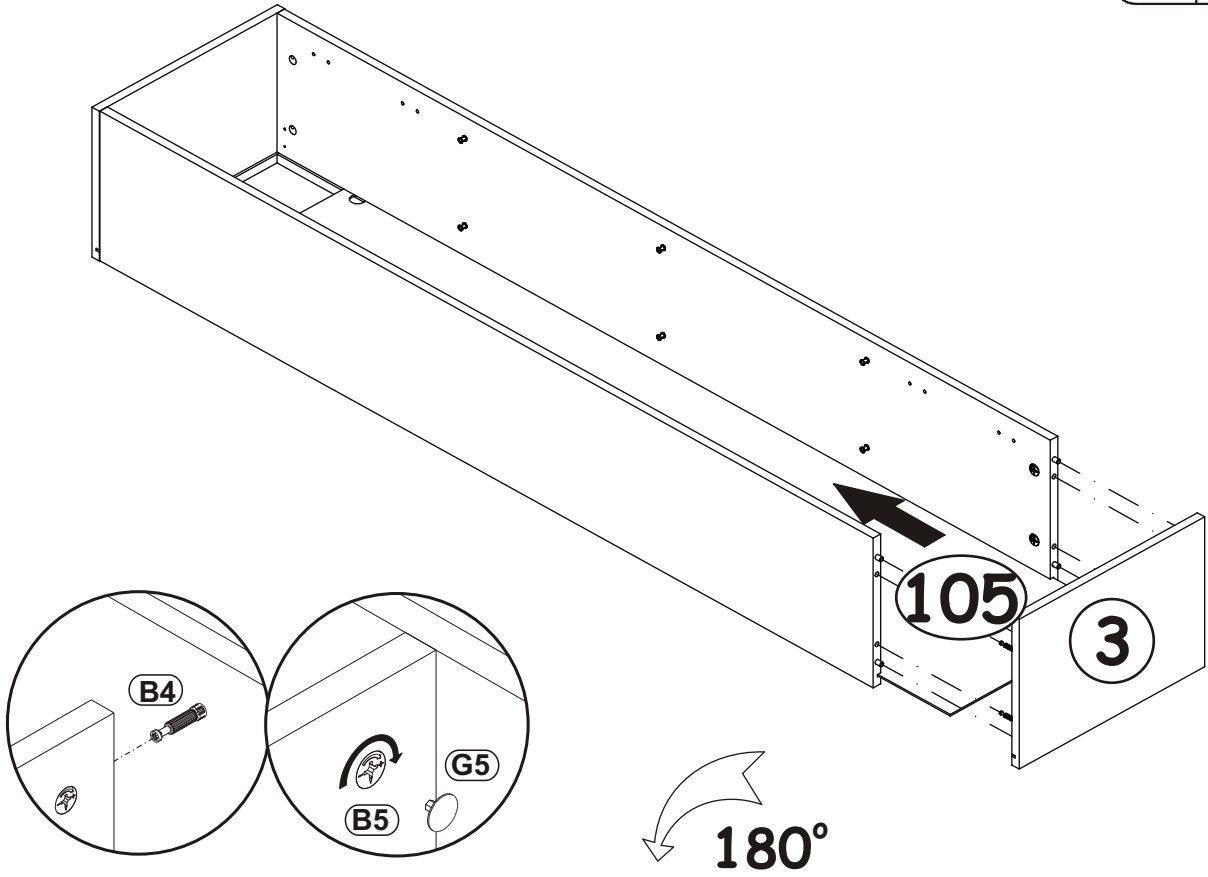
4

G5	
x4	



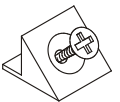
G5	
x4	

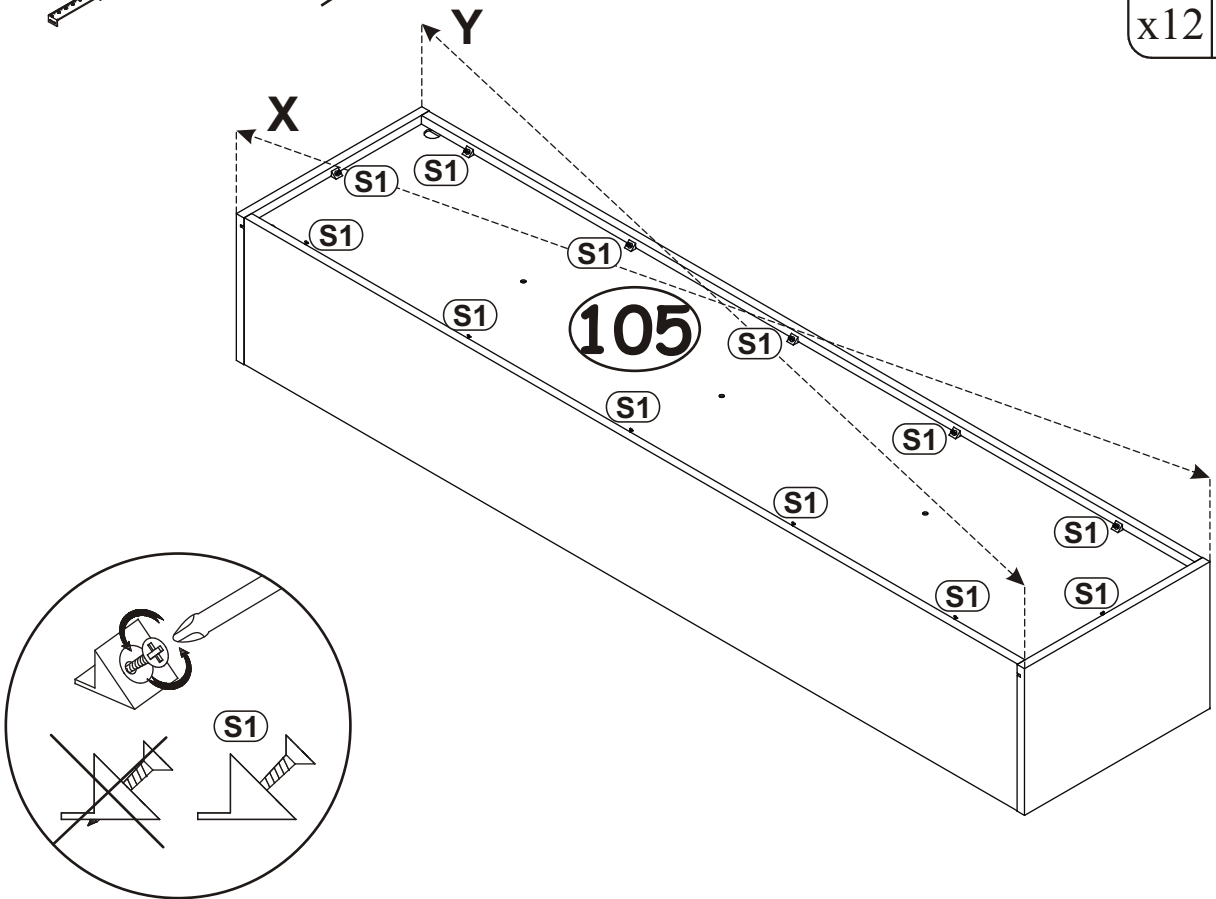
5



6

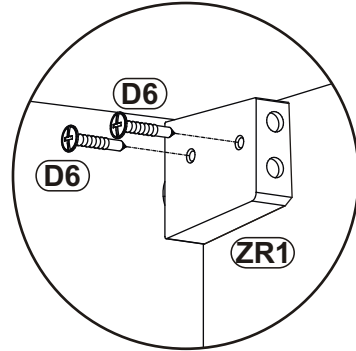
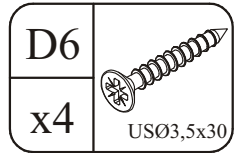
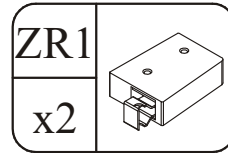
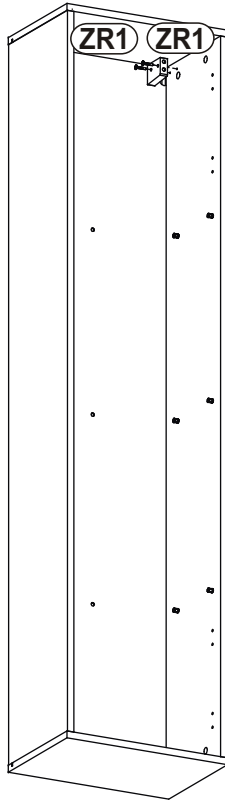
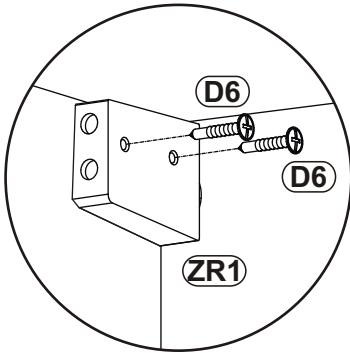


S1	
x12	

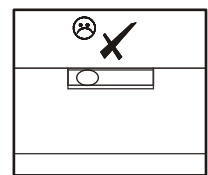
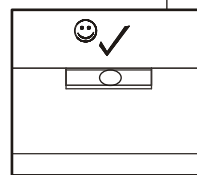
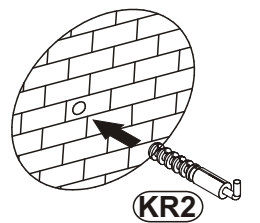
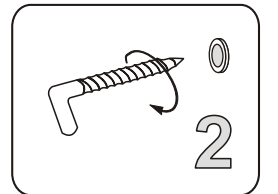
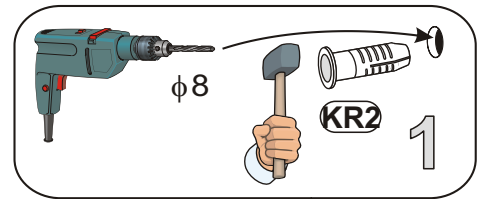
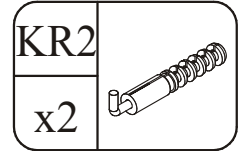
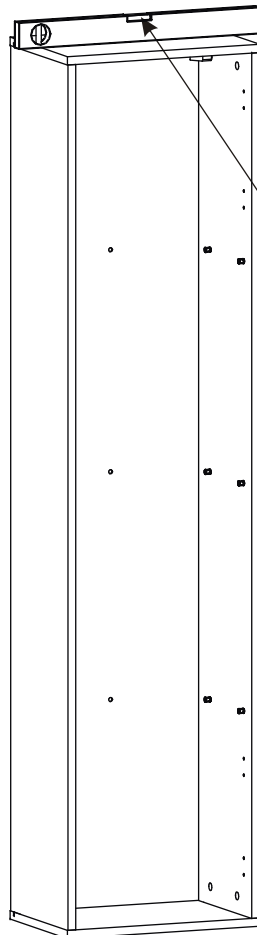
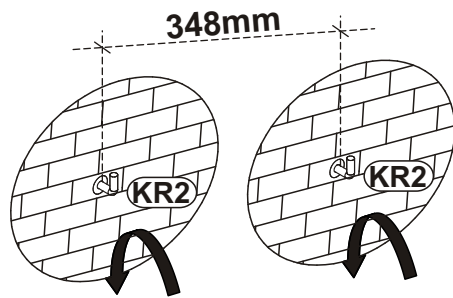
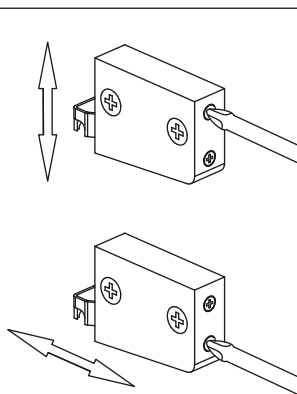
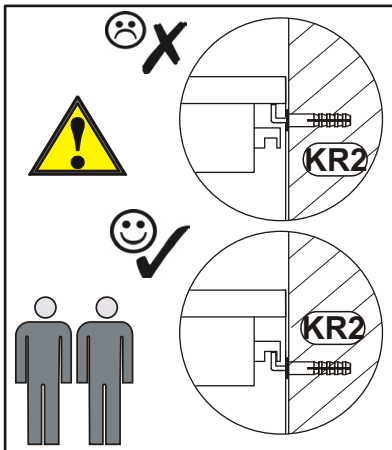
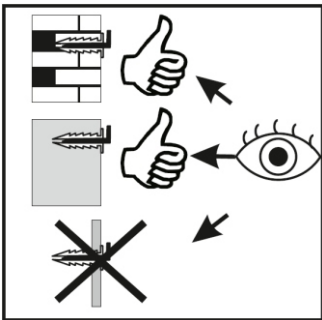


FLY 28--FY 42-C

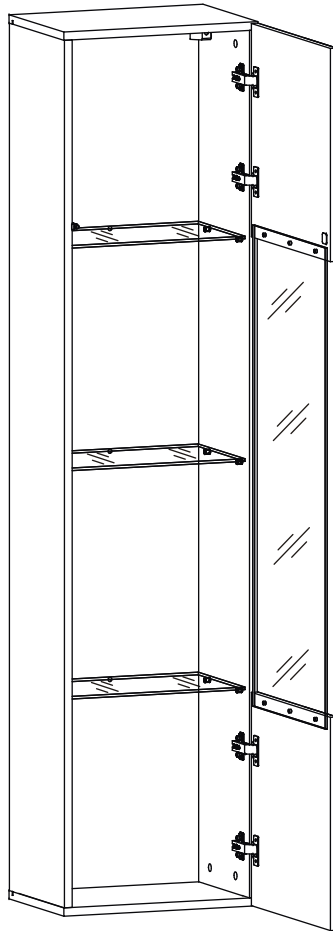
7



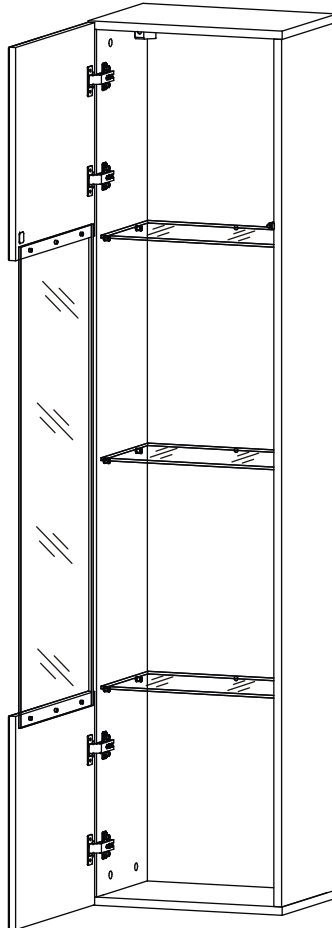
8



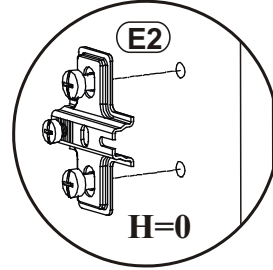
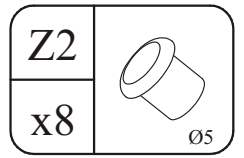
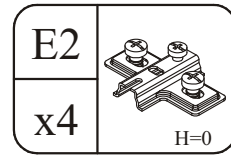
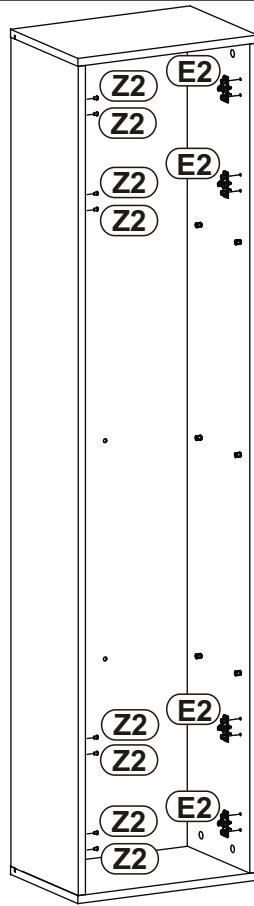
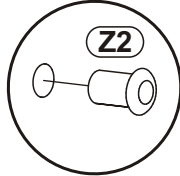
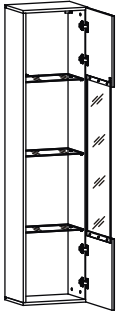
9-10



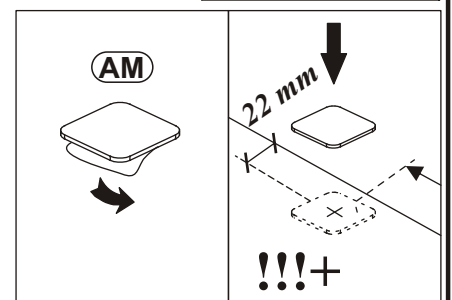
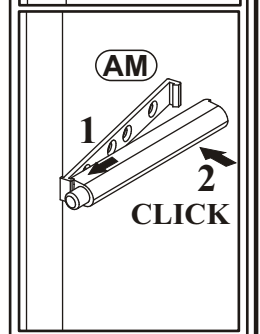
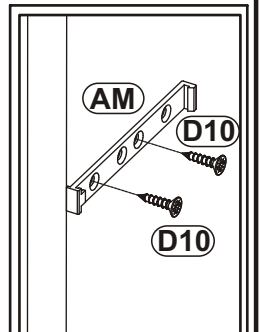
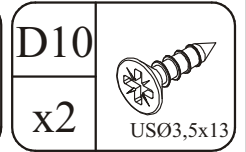
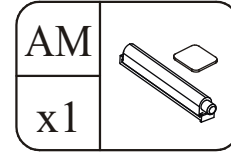
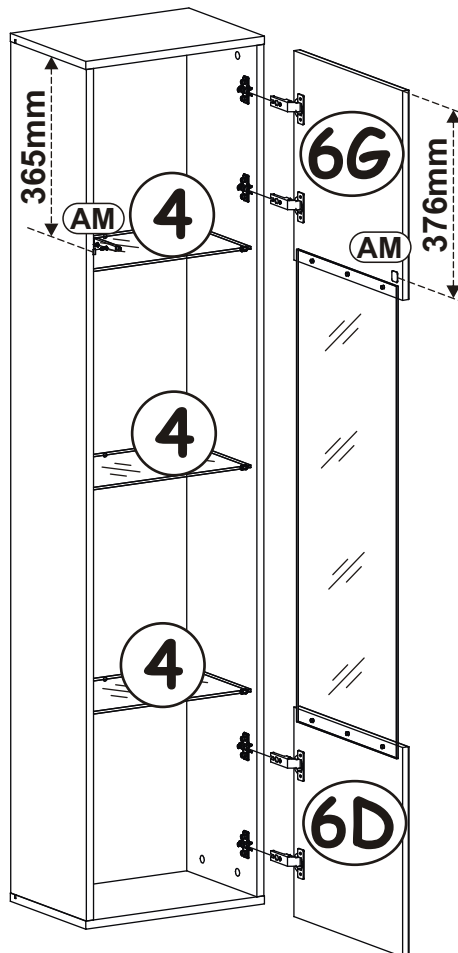
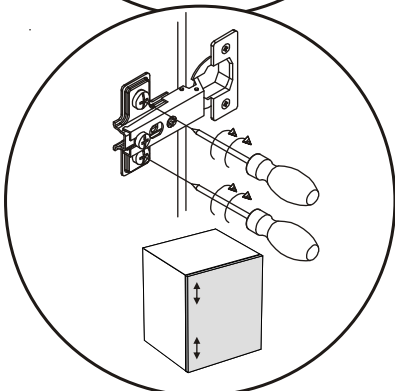
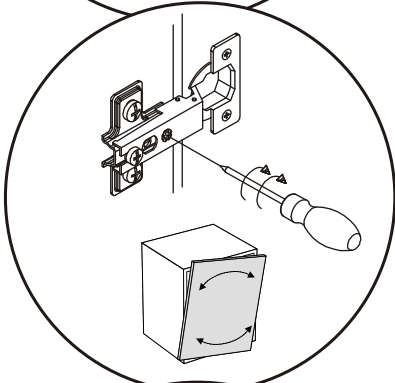
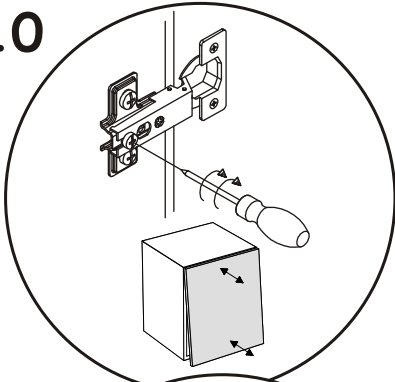
11-12



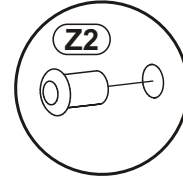
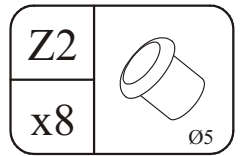
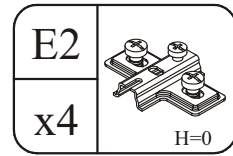
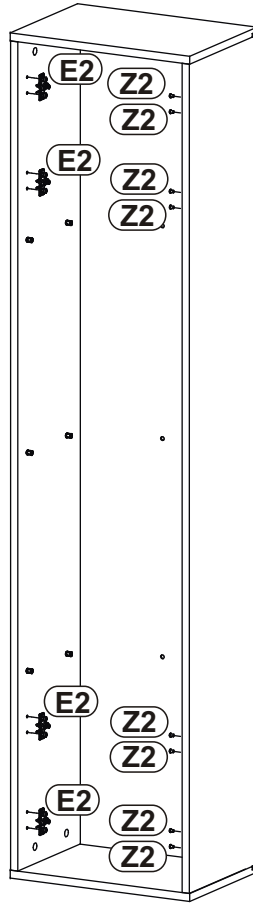
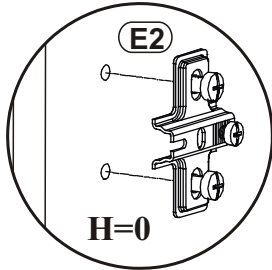
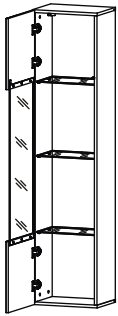
9



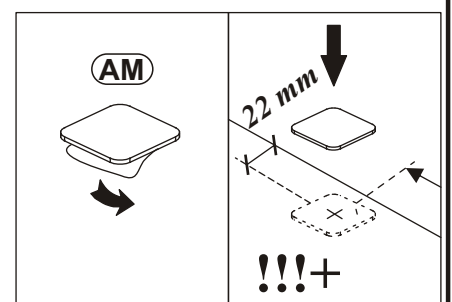
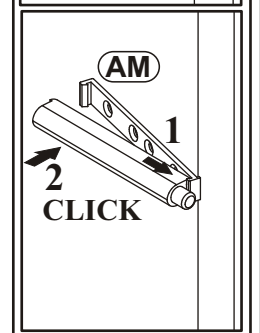
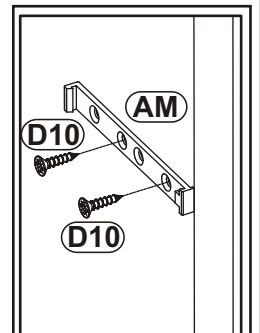
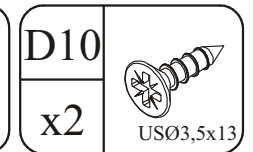
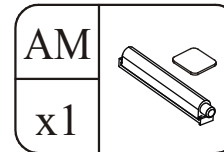
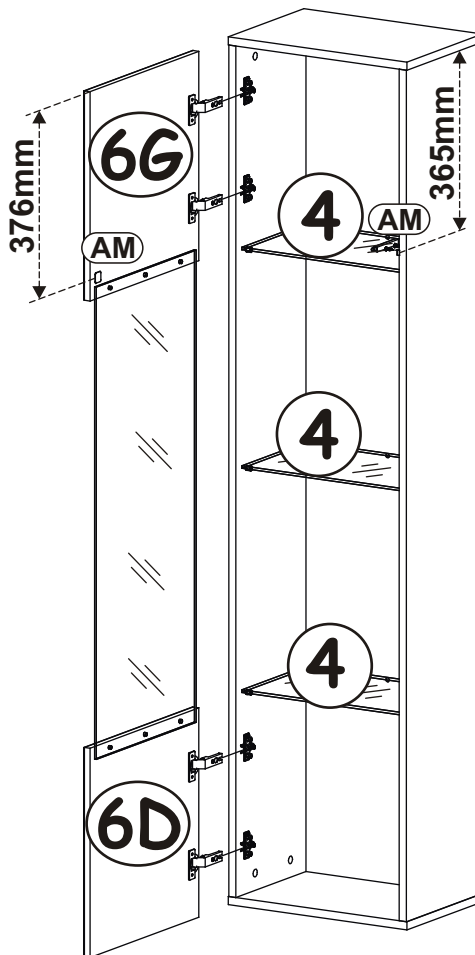
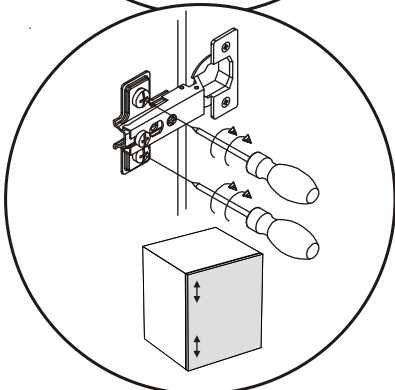
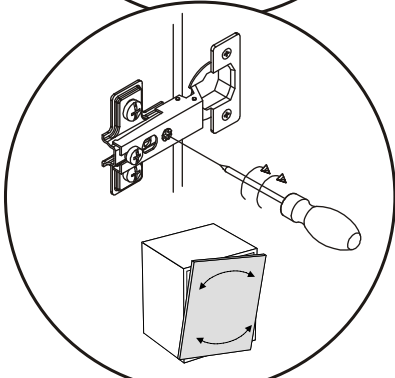
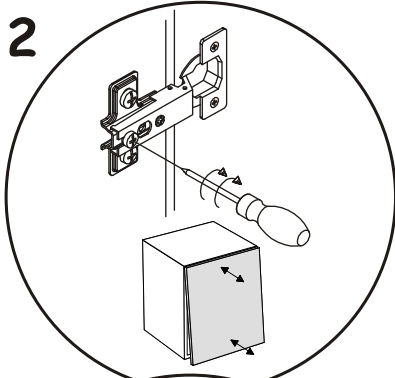
10



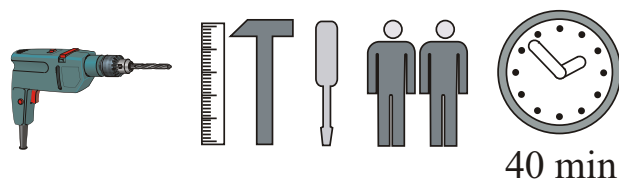
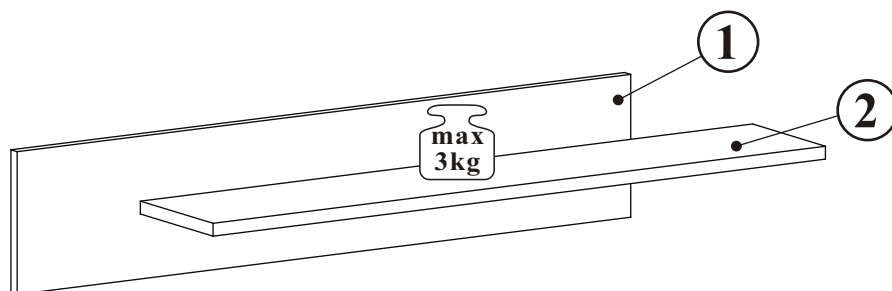
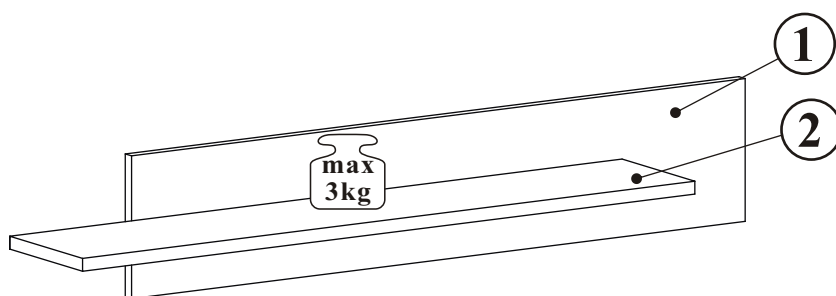
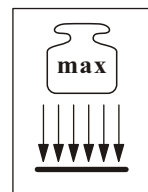
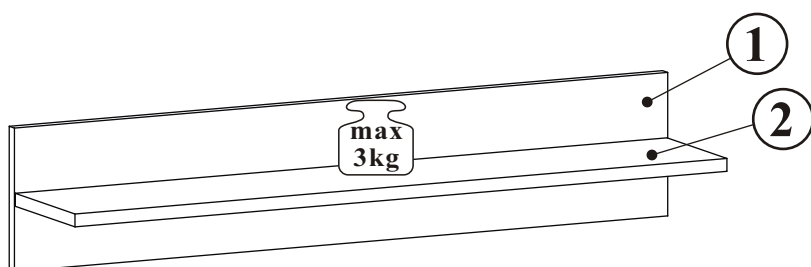
11



12

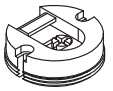







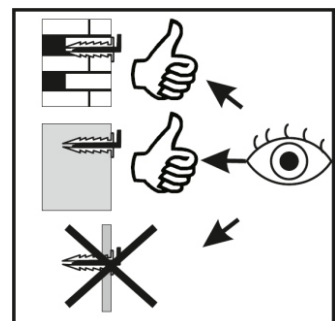
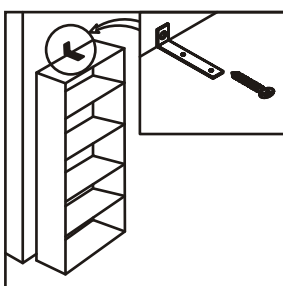
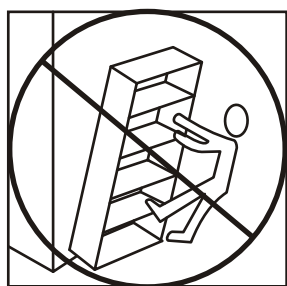
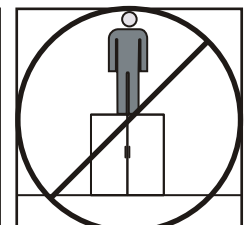
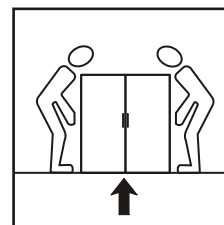
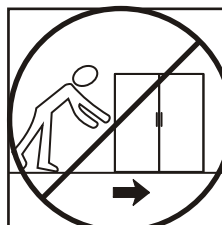
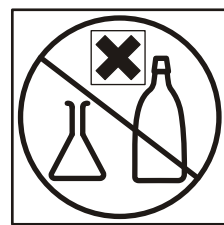
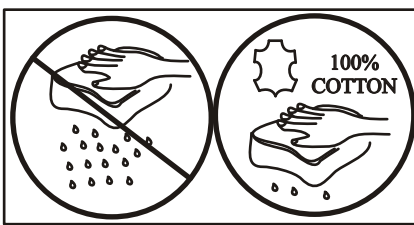
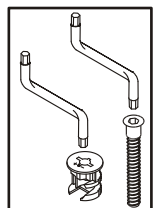
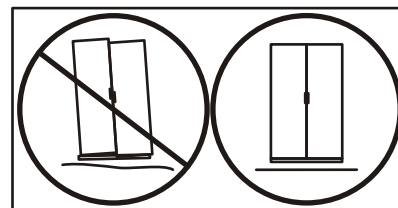
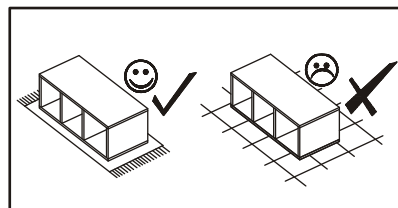
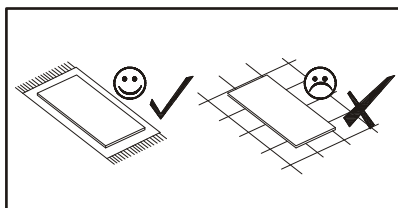
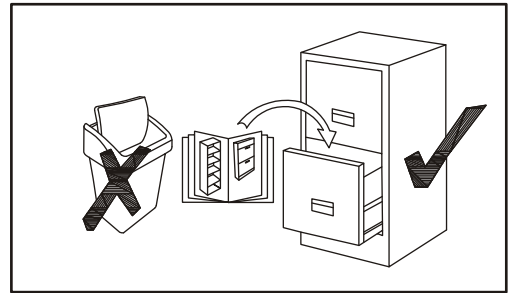
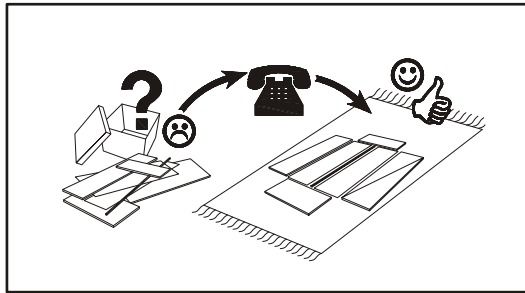
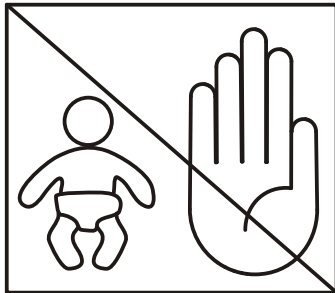
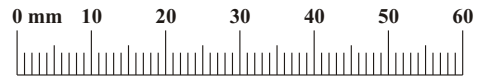
GALINO 23_MX



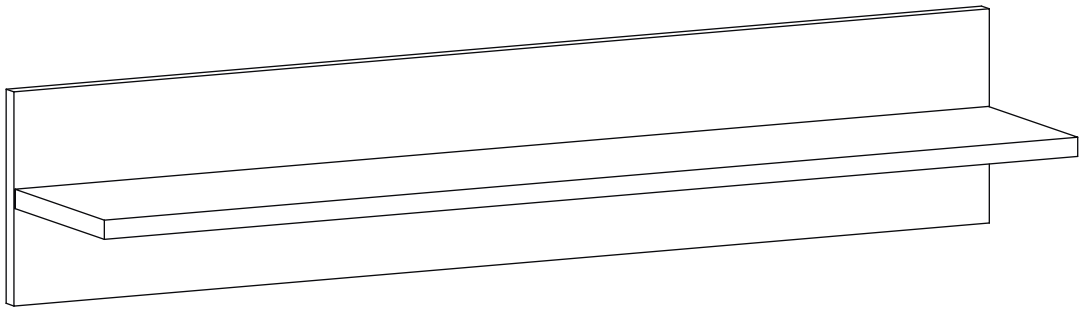
NO	Dim.		Col.-No	Qty
1	1002	200	1	2
2	1000	185	1	2

GALINO 23_MX

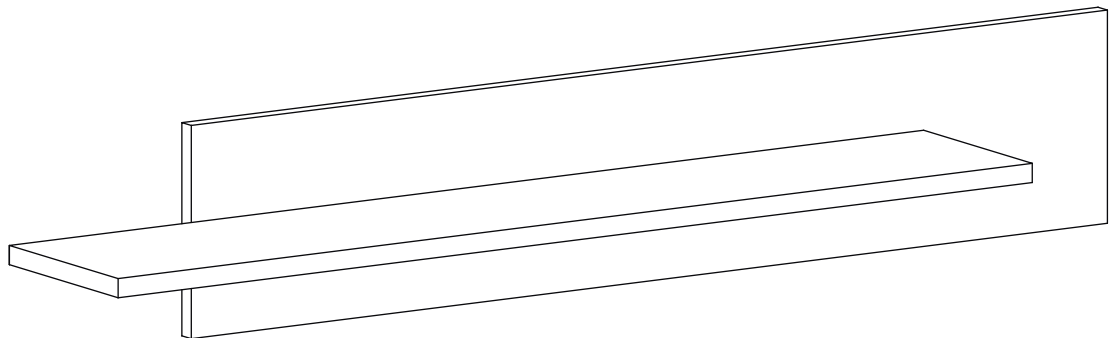
ZM1 x4		D20 x8	 ESØ6x9,5	B11 x12	 Ø7x50	G4 x12		KR2 x4		G2 x1	
-----------	---	-----------	---	------------	--	-----------	---	-----------	---	----------	---



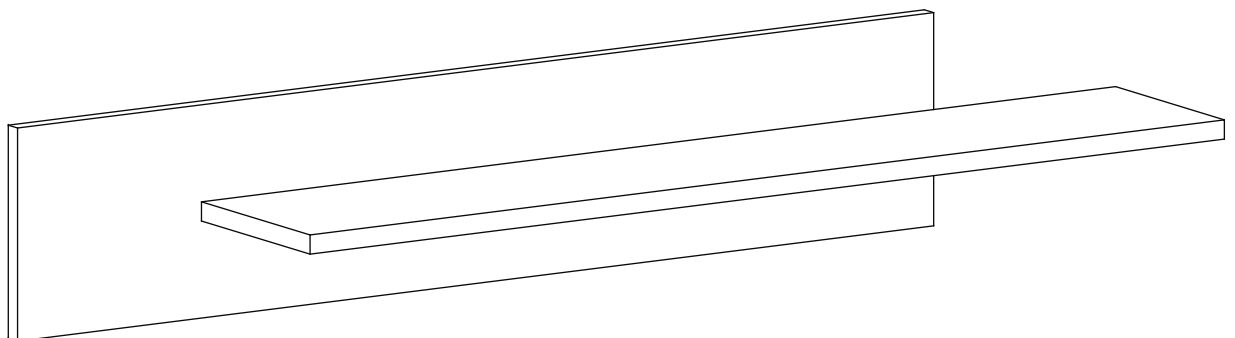
1-3



4-6

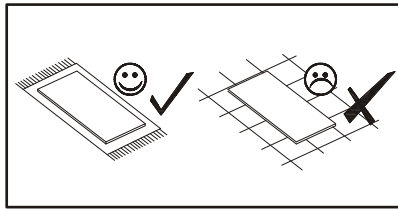


7-9

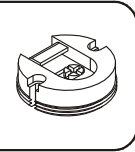


GALINO 23_MX

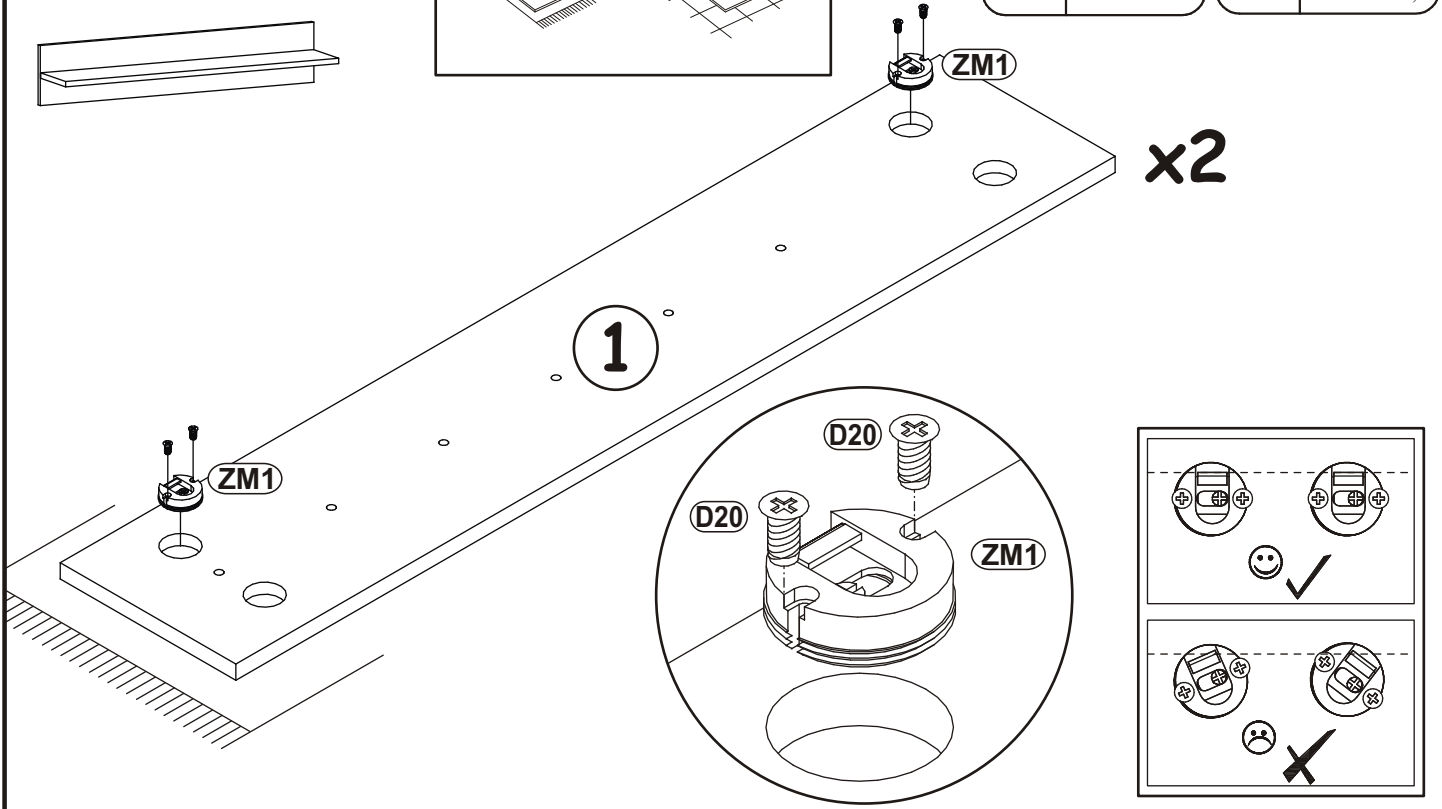
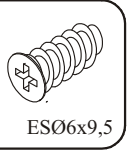
1



ZM1
x4

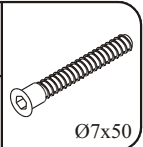


D20
x8

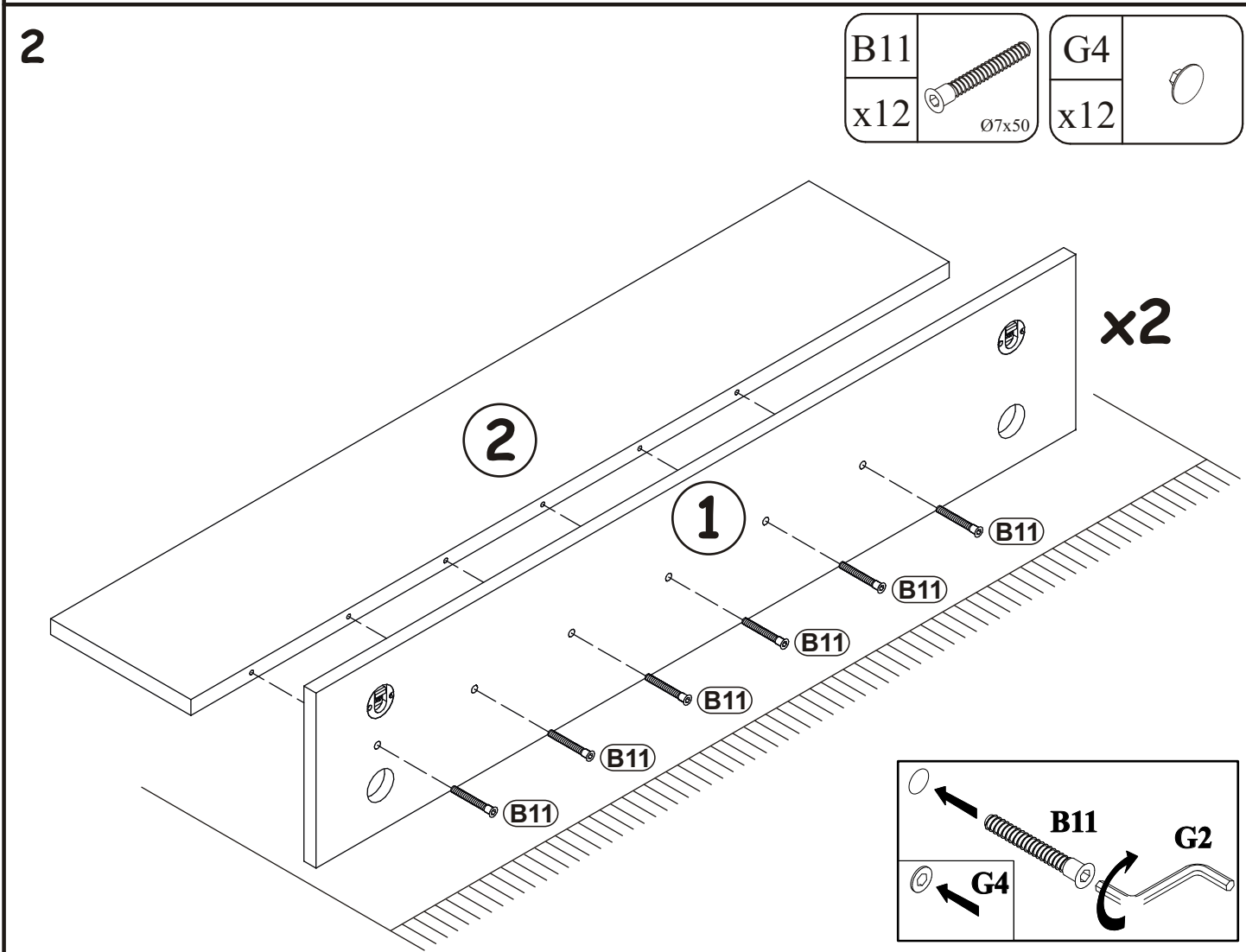
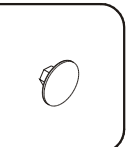


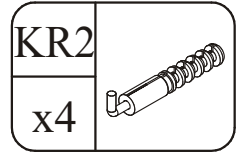
2

B11
x12

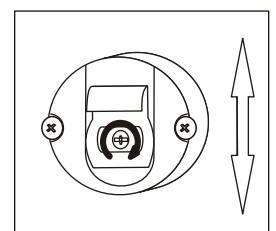
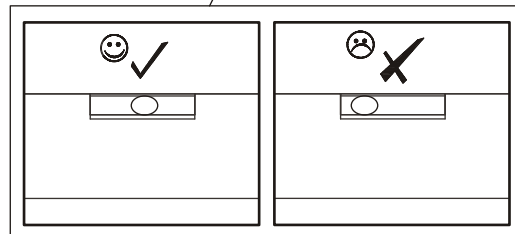
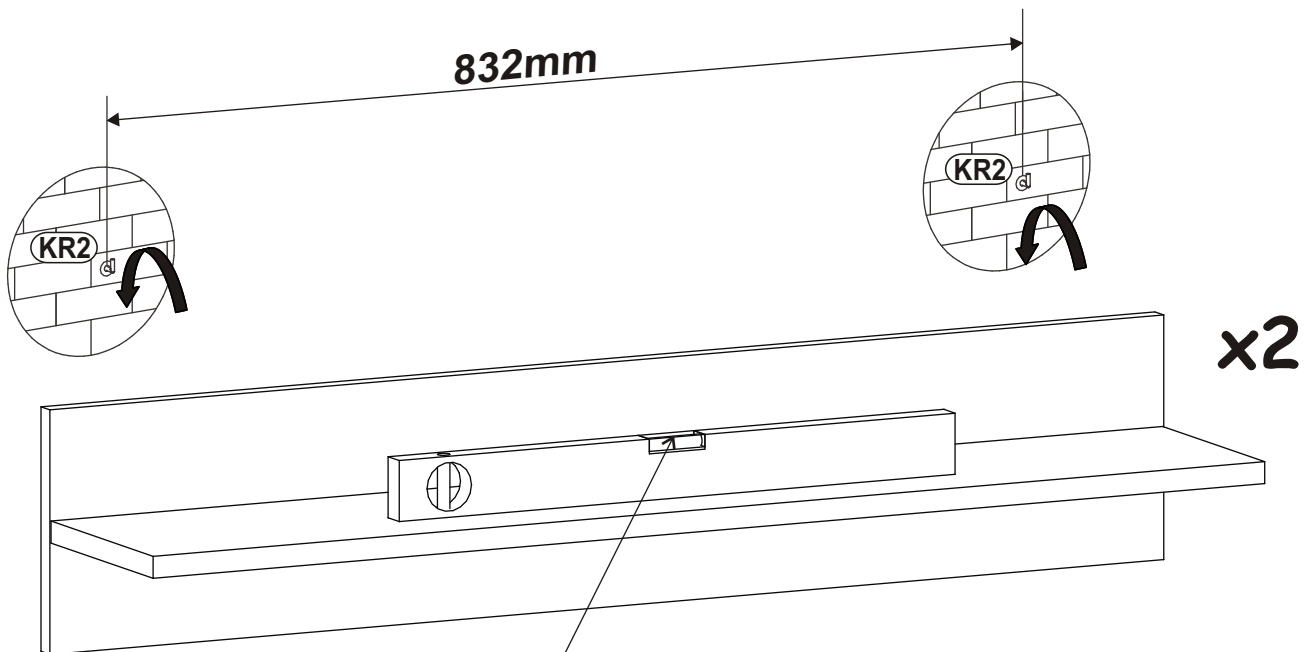
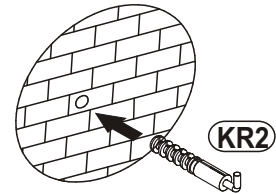
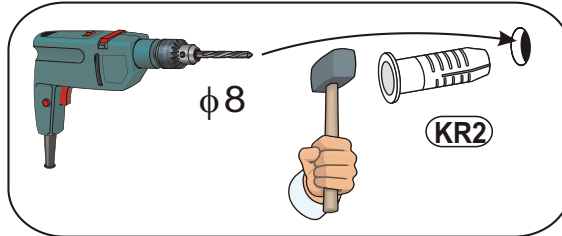
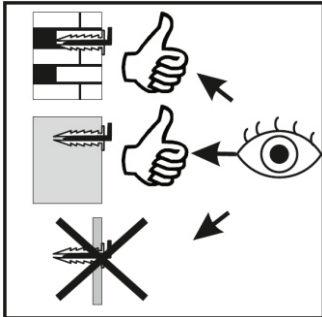


G4
x12

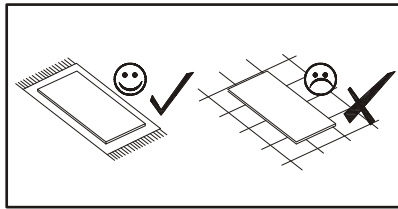




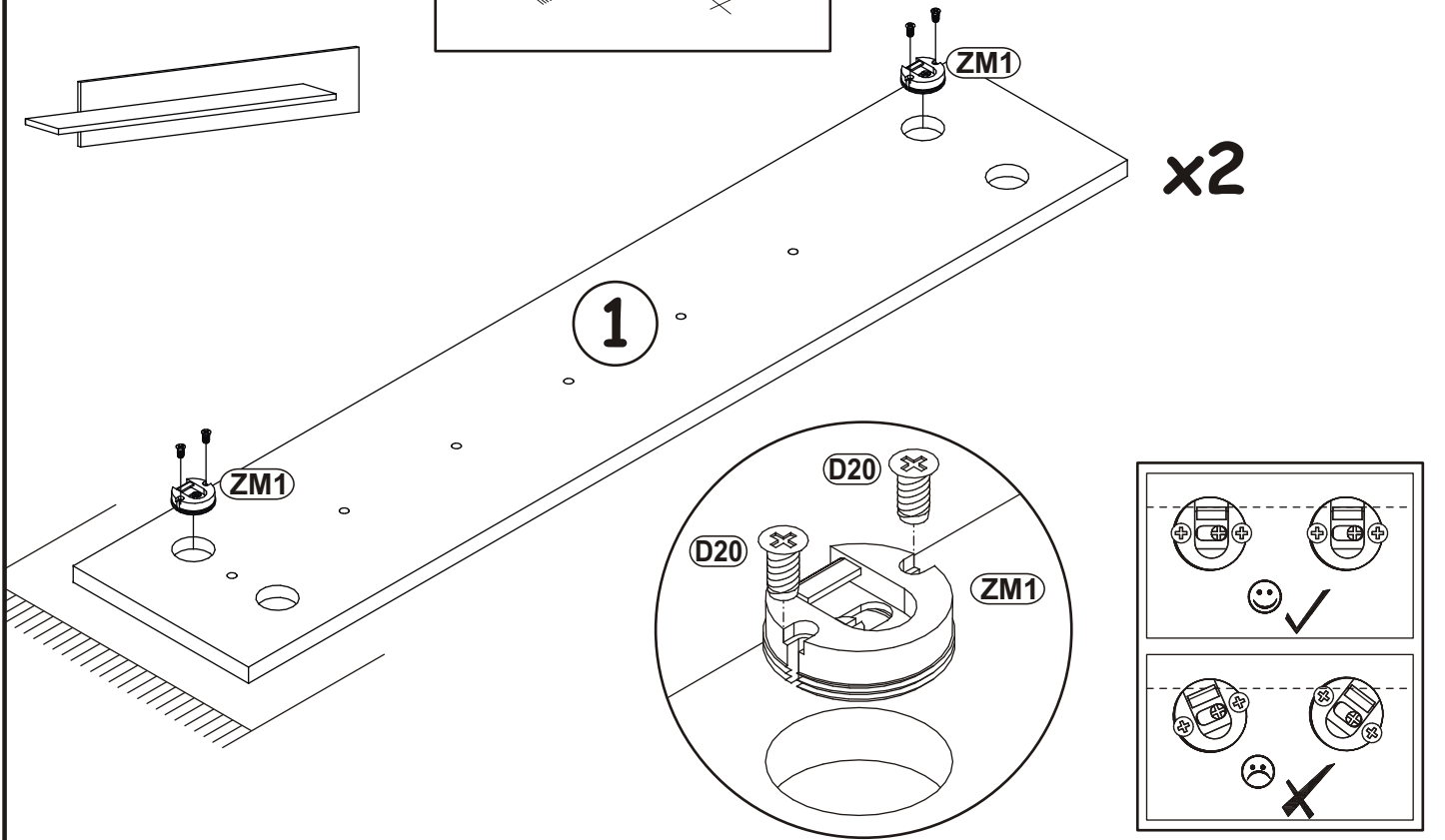
3



4

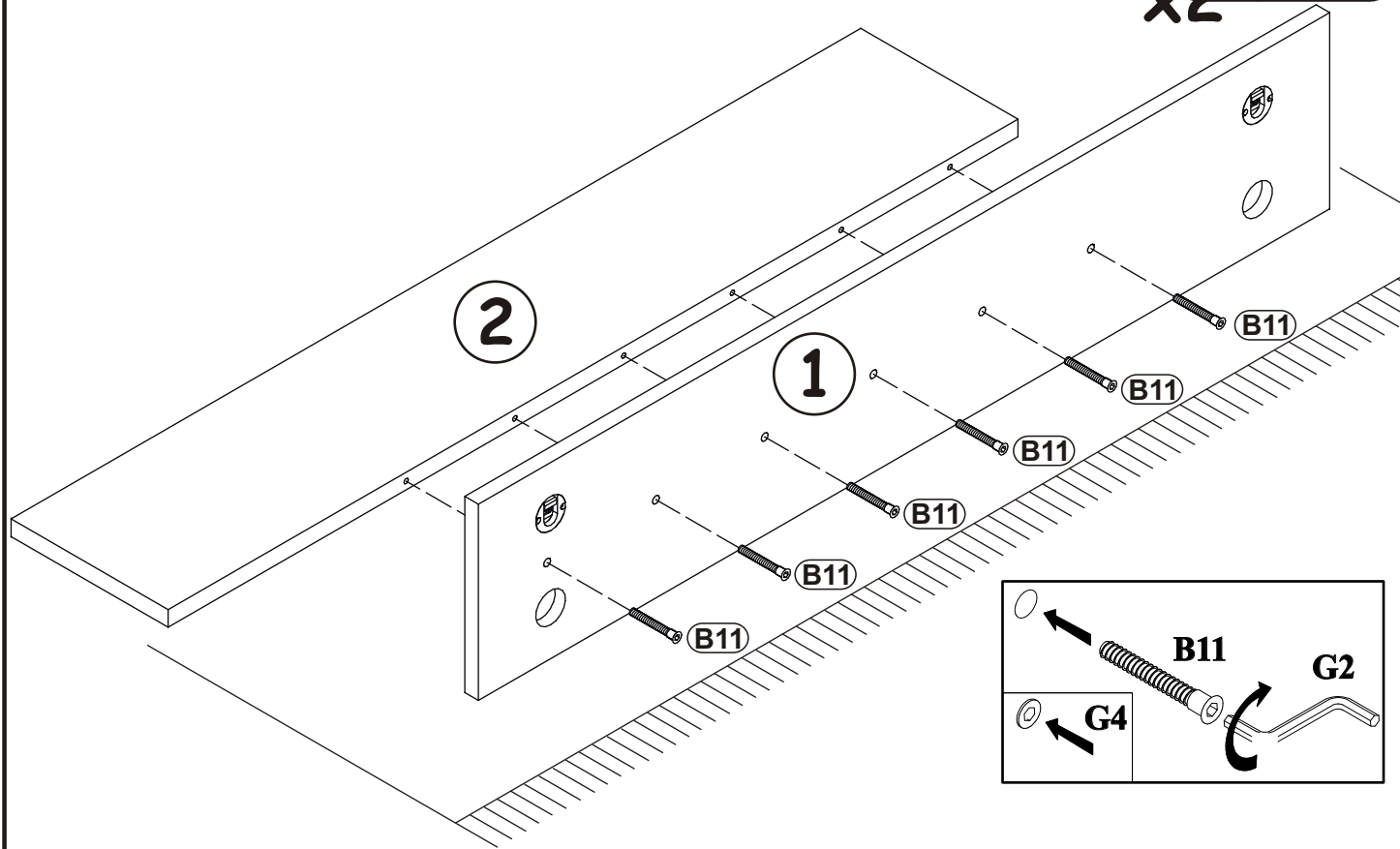


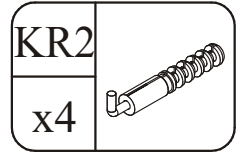
ZM1		D20	
x4		x8	ESØ6x9,5



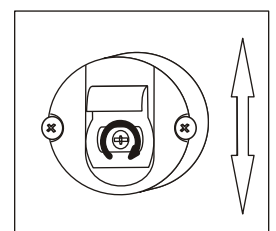
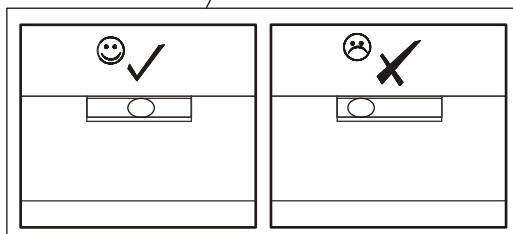
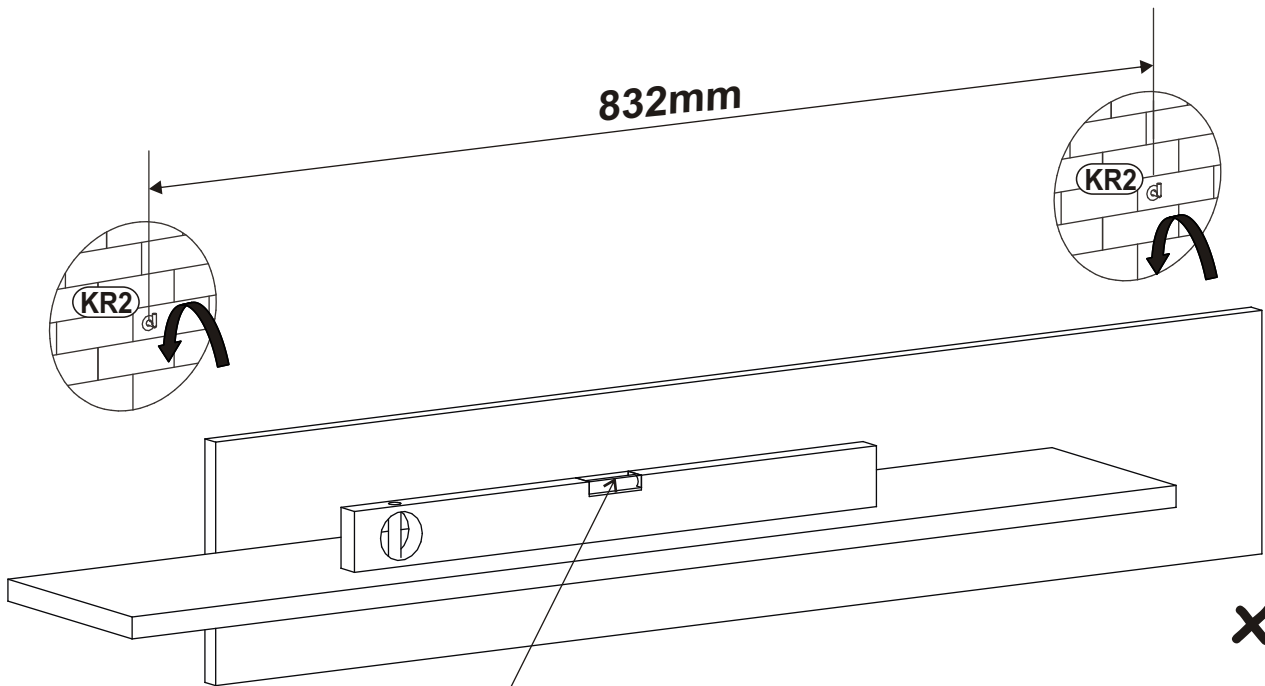
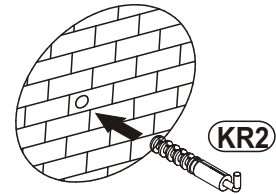
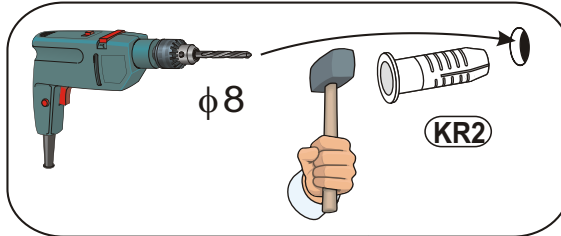
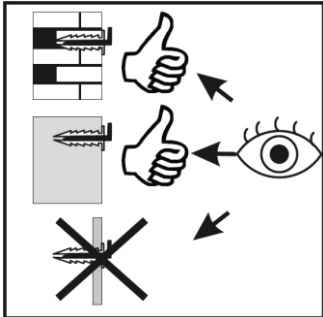
5

B11		G4	
x12	Ø7x50	x12	

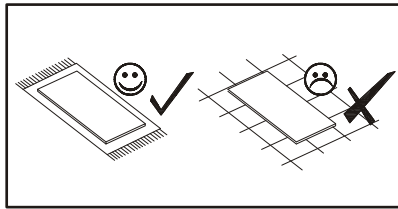




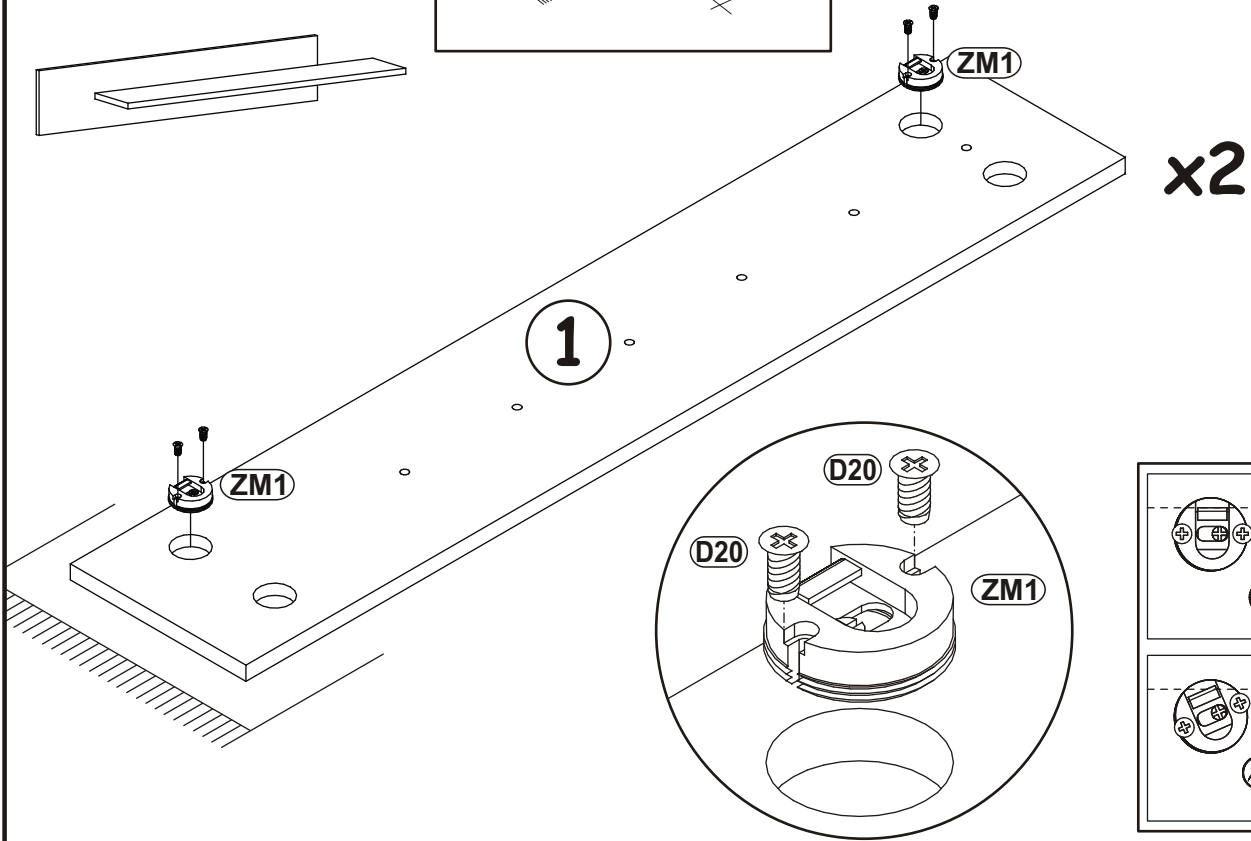
6



7

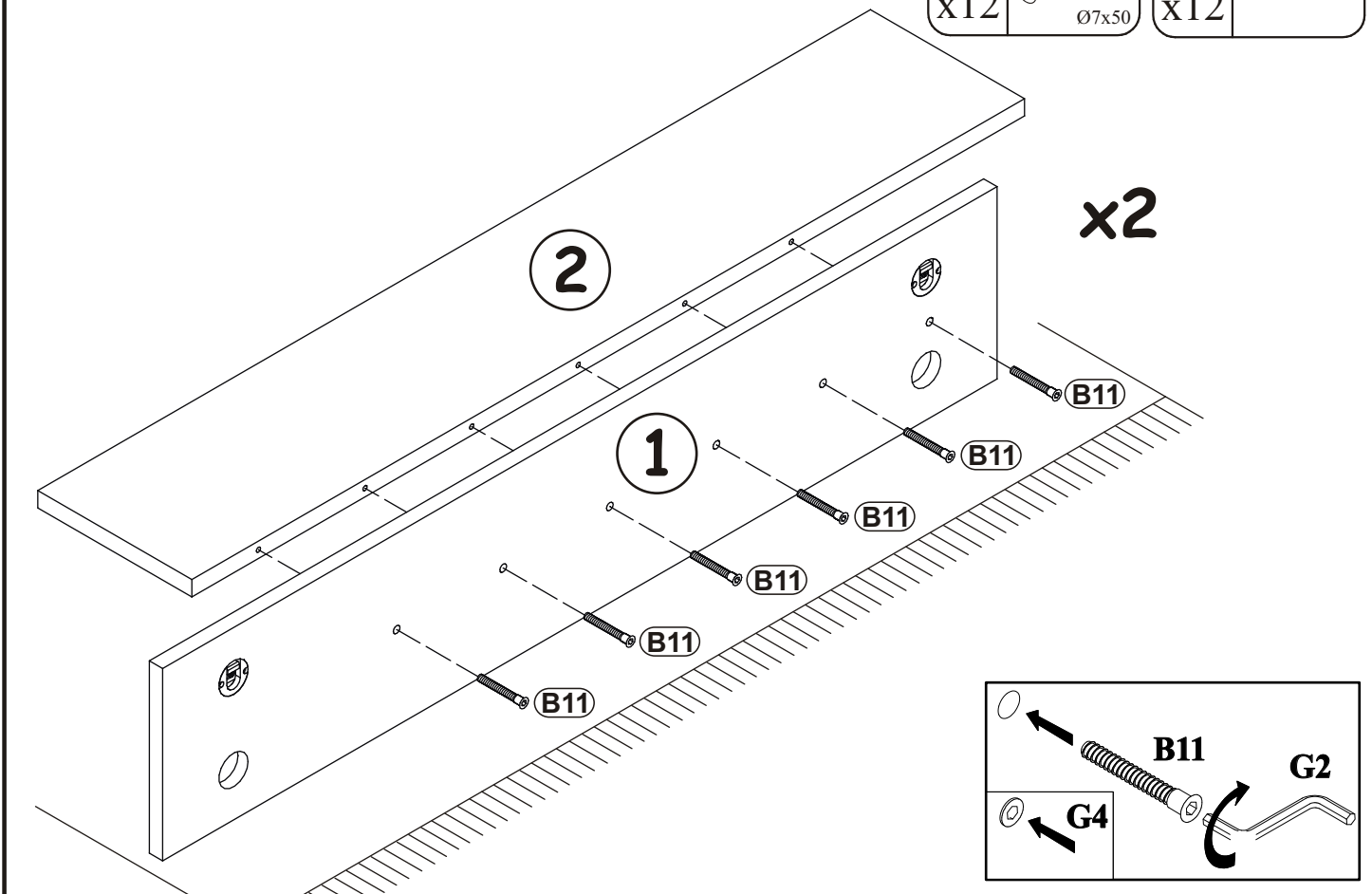


ZM1		D20	
x4		x8	



8

B11		G4	
x12	Ø7x50	x12	



9

