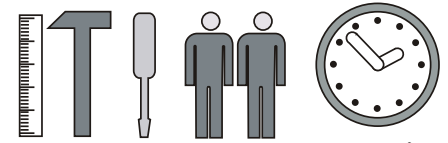
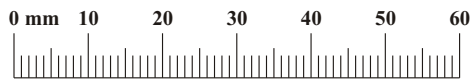
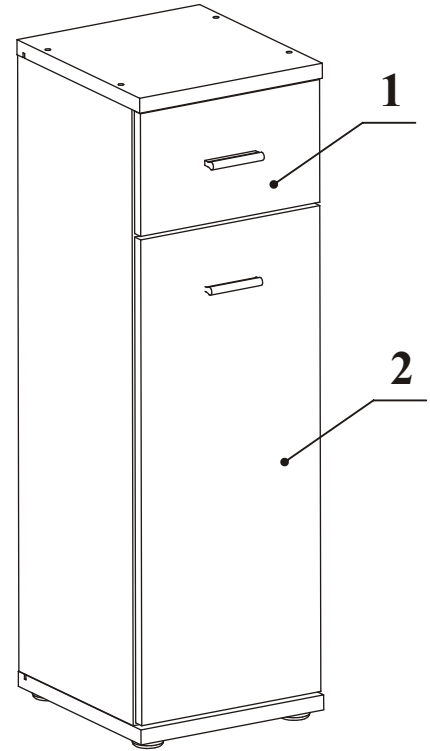
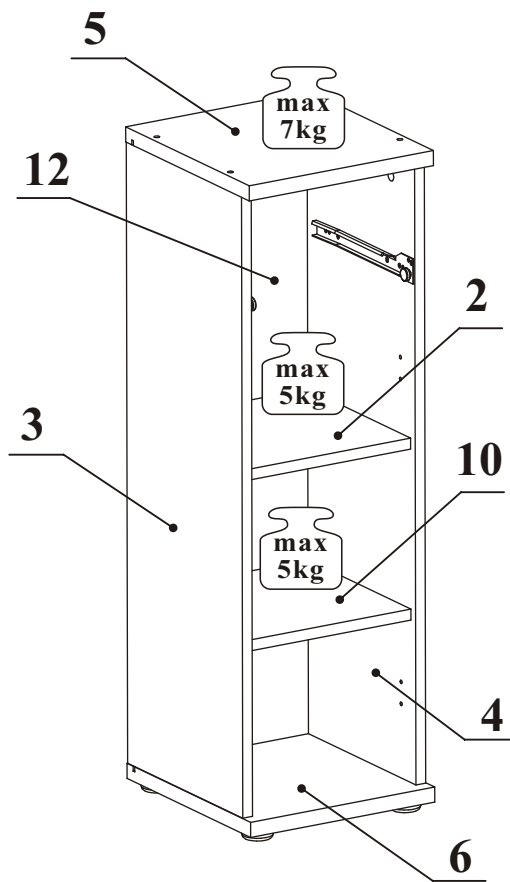
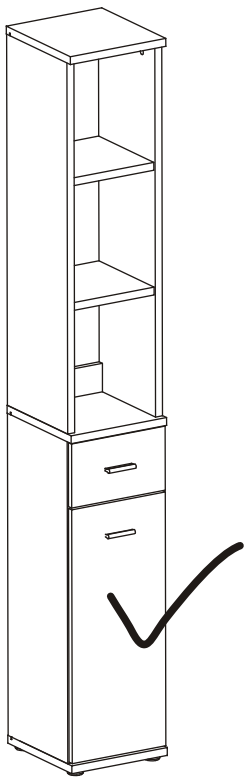


1

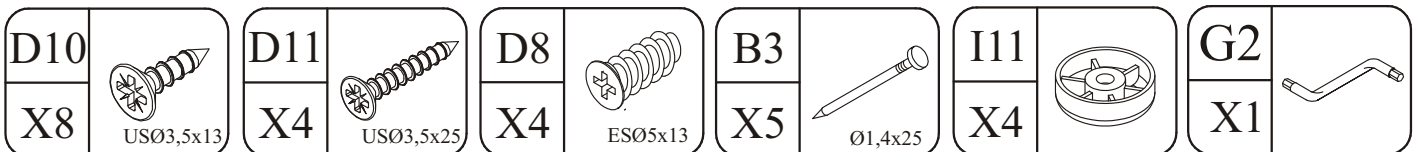
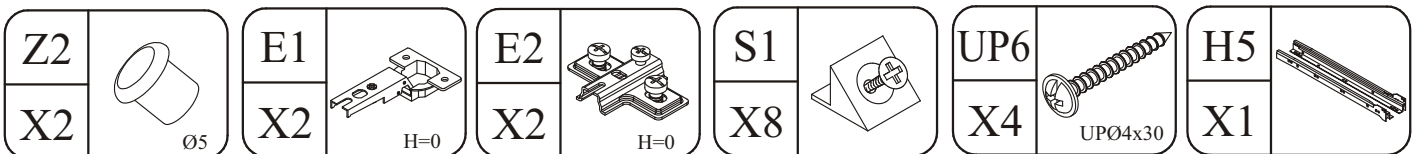
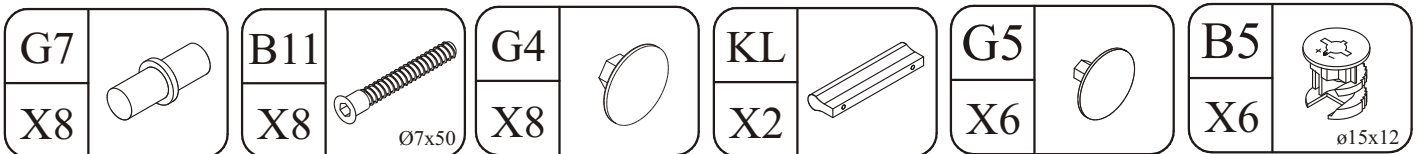
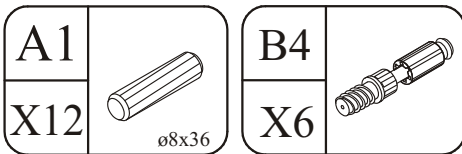
ARMARIO 1

(type-B)

24 DSAR-B



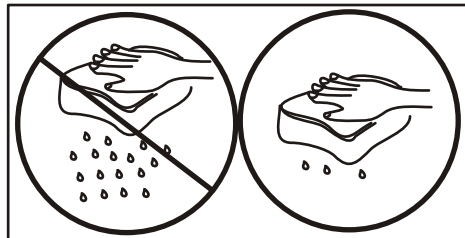
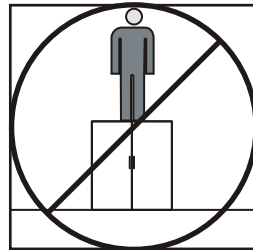
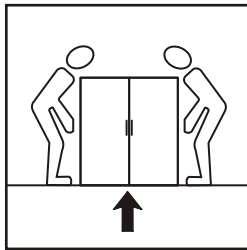
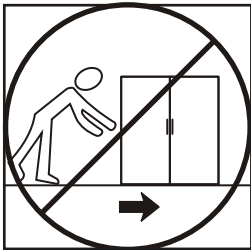
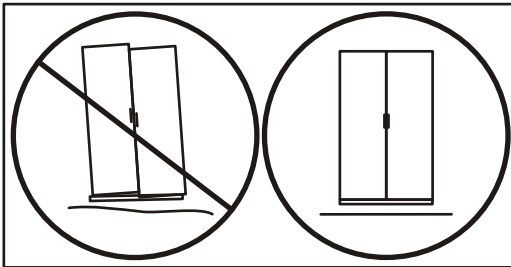
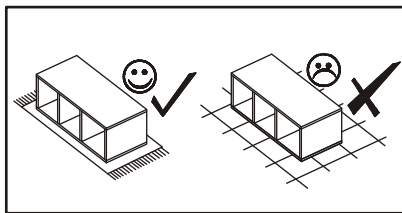
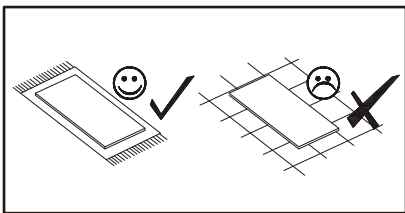
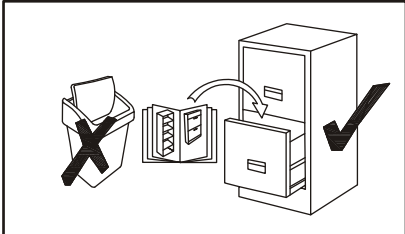
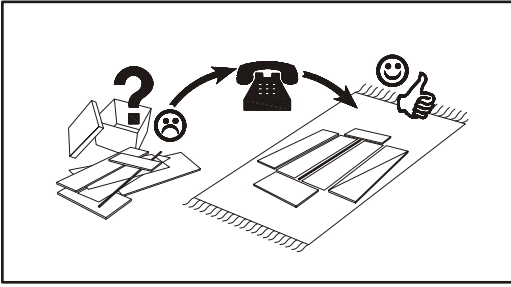
90 min



ARMARIO 1

(type-B)

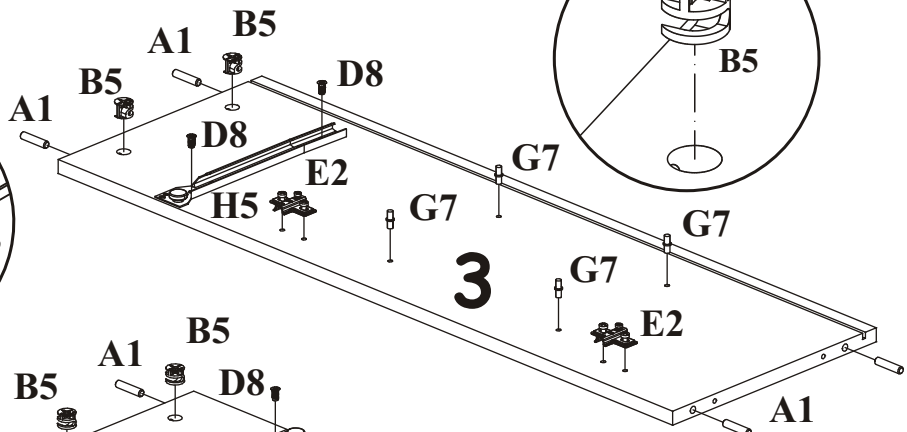
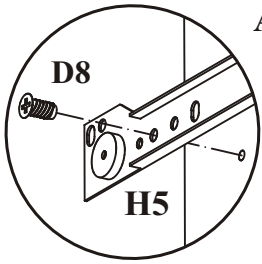
24 DSAR-B



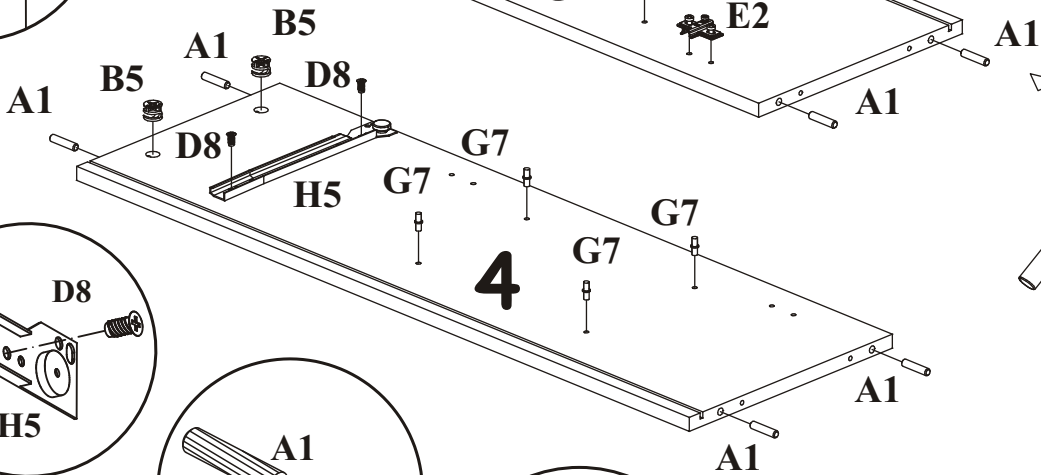
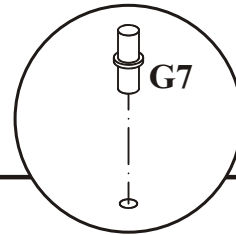
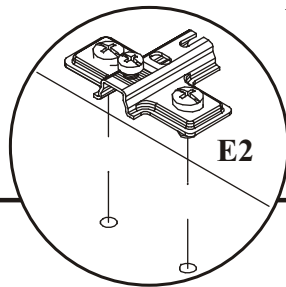
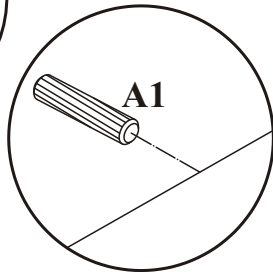
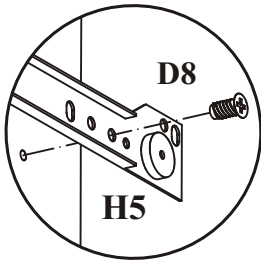
ARMARIO 1 (type-B)

24 DSAR-B

1

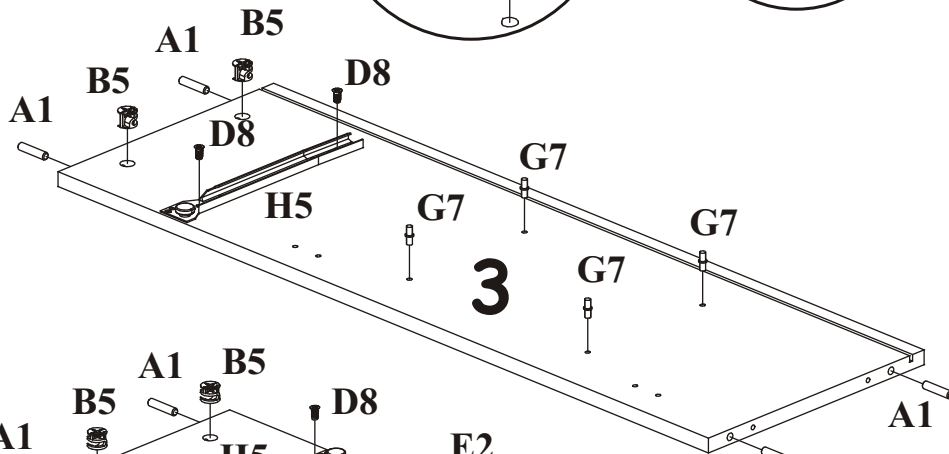
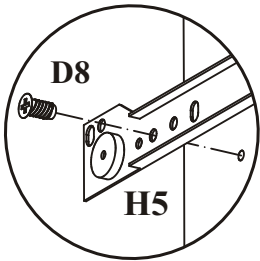


3

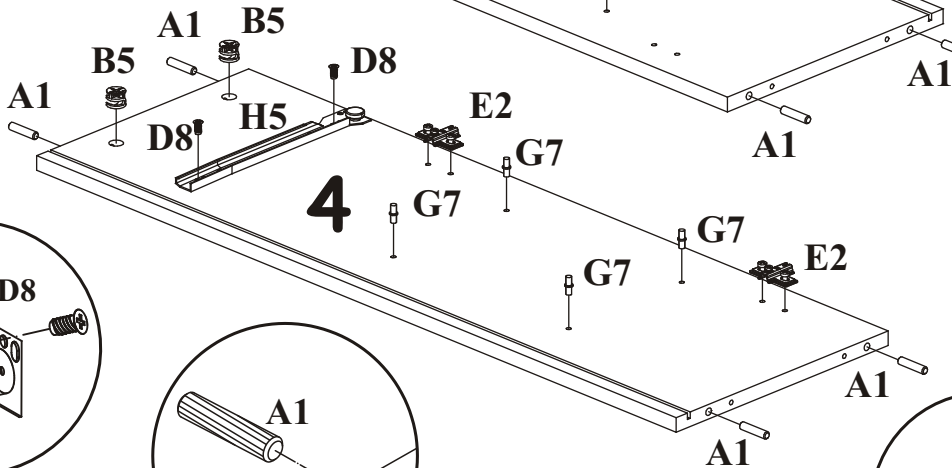
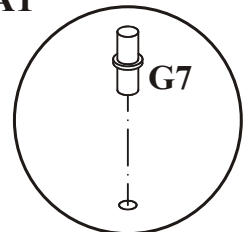
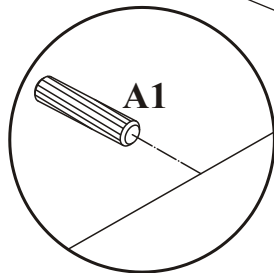
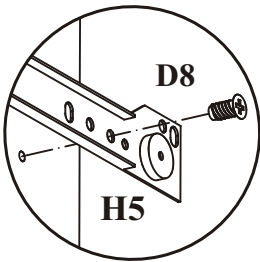


4

1



3



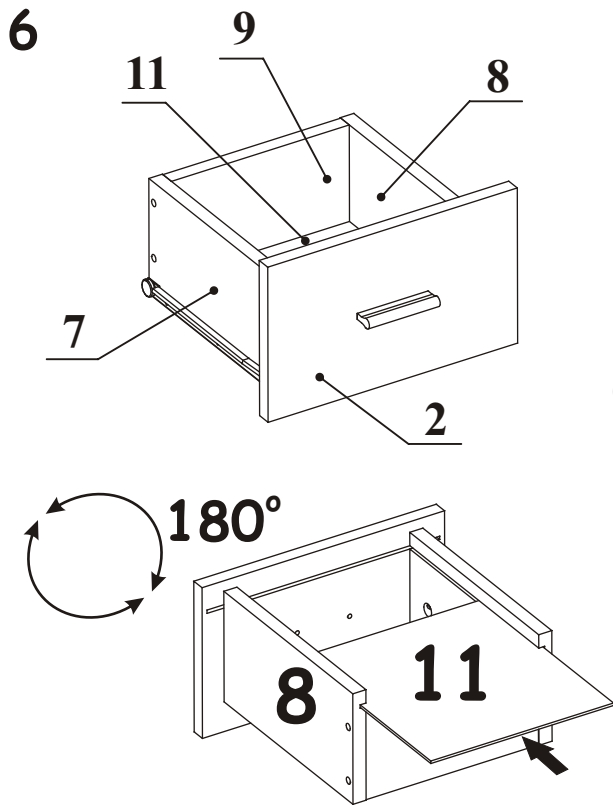
4

ARMARIO 1

(type-B)

24 DSAR-B

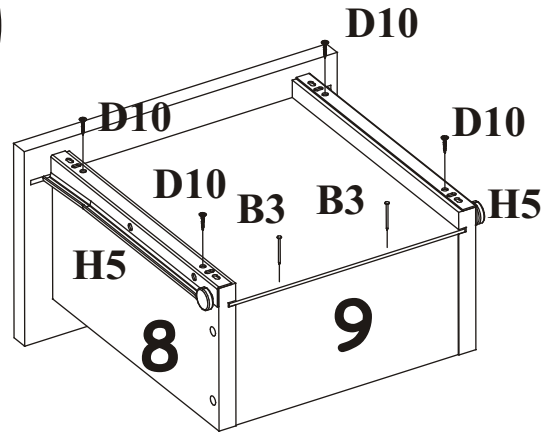
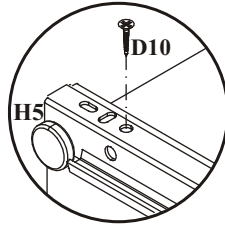
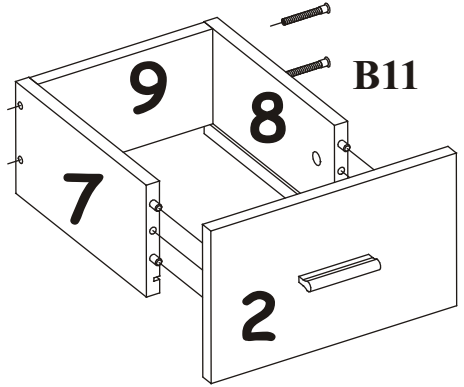
B11



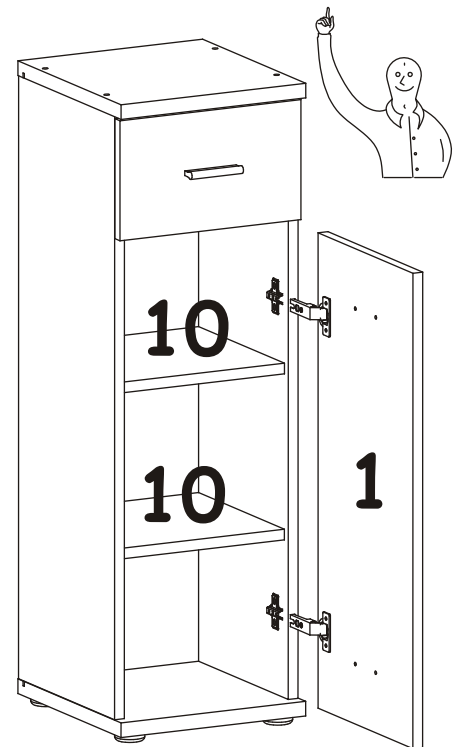
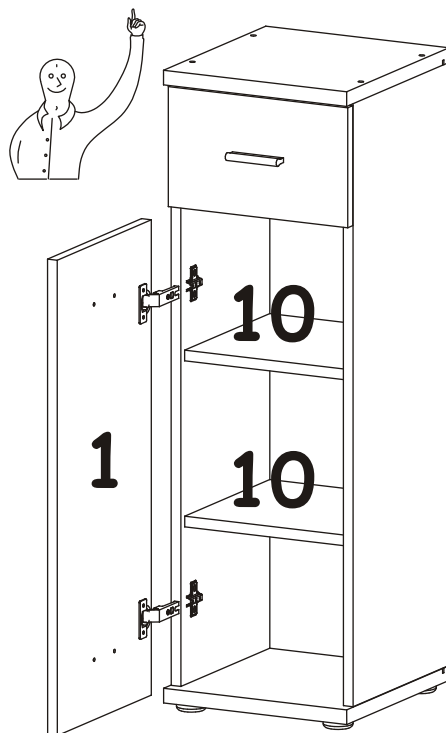
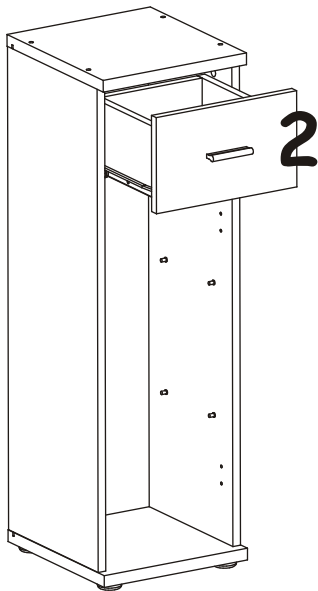
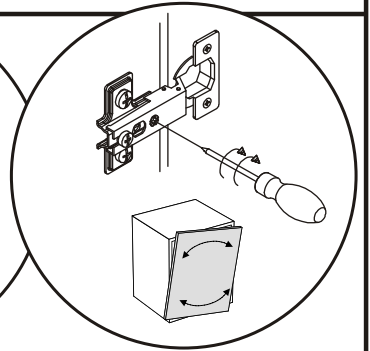
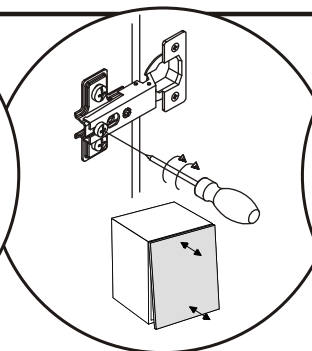
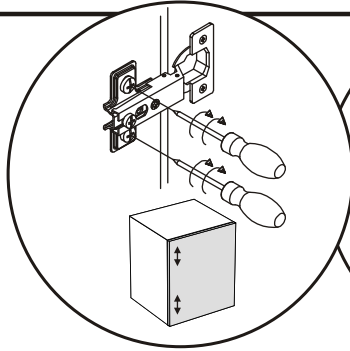
B11



B11



7

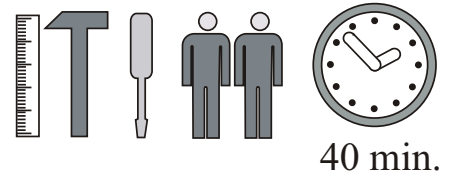
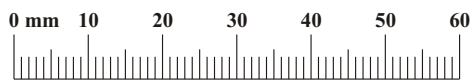
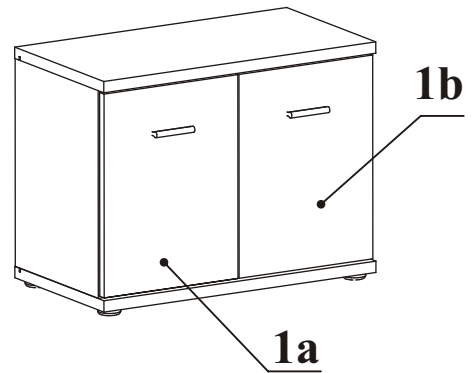
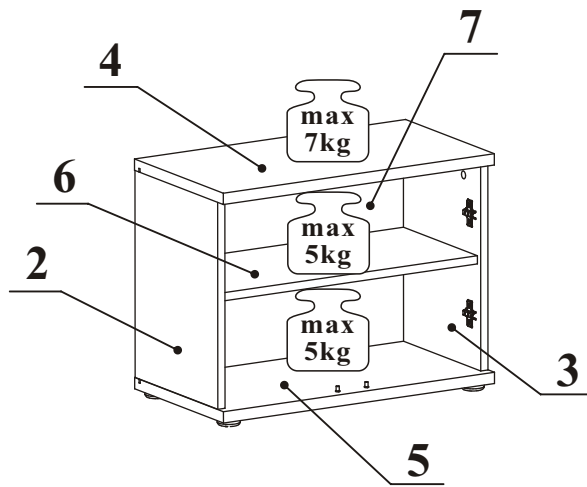
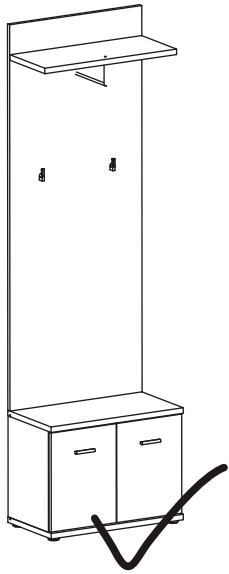


1

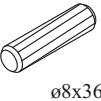


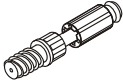
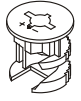

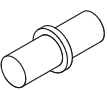
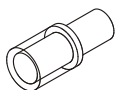
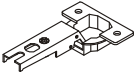
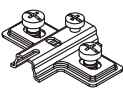
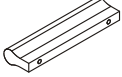


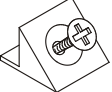
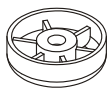



ARMARIO 1

(type-F)

24 DSAR-F



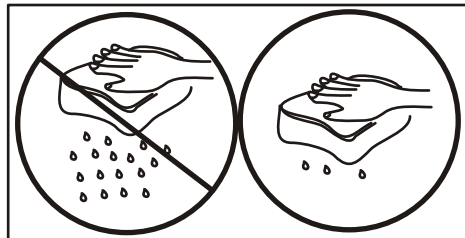
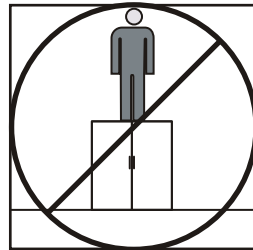
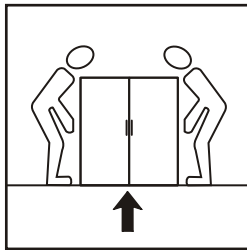
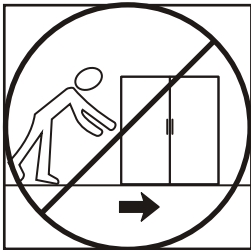
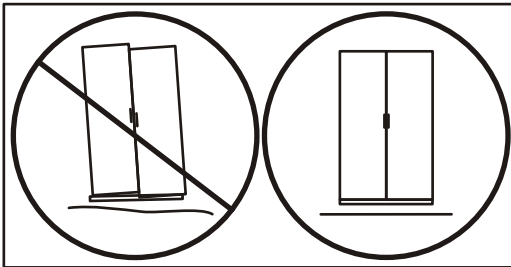
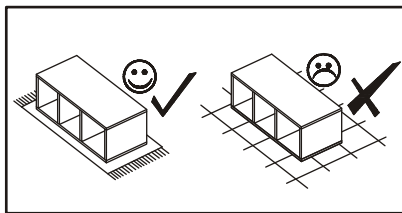
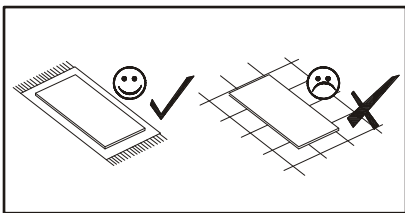
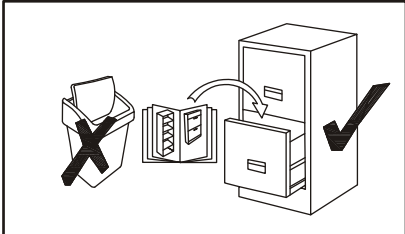
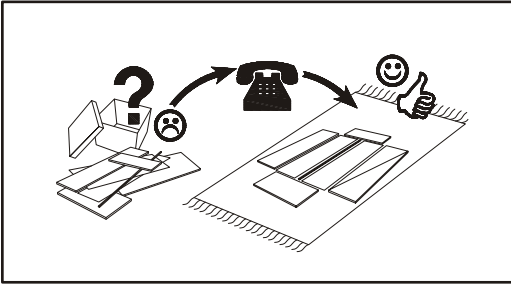
40 min.

A1 X8  ø8x36	B11 X4  Ø7x50	G4 X4 	B4 X4 	B5 X4  ø15x12	G5 X4 
G7 X4 	G20 X2 	E1 X4  H=0	E2 X4  H=0	KL X2 	UP6 X4  UPØ4x30
Z2 X4  ø5	S1 X6 	I11 X4 	D10 X8  USØ3,5x13	D11 X4  USØ3,5x25	G2 X1 

ARMARIO 1

(type-F)

24 DSAR-F

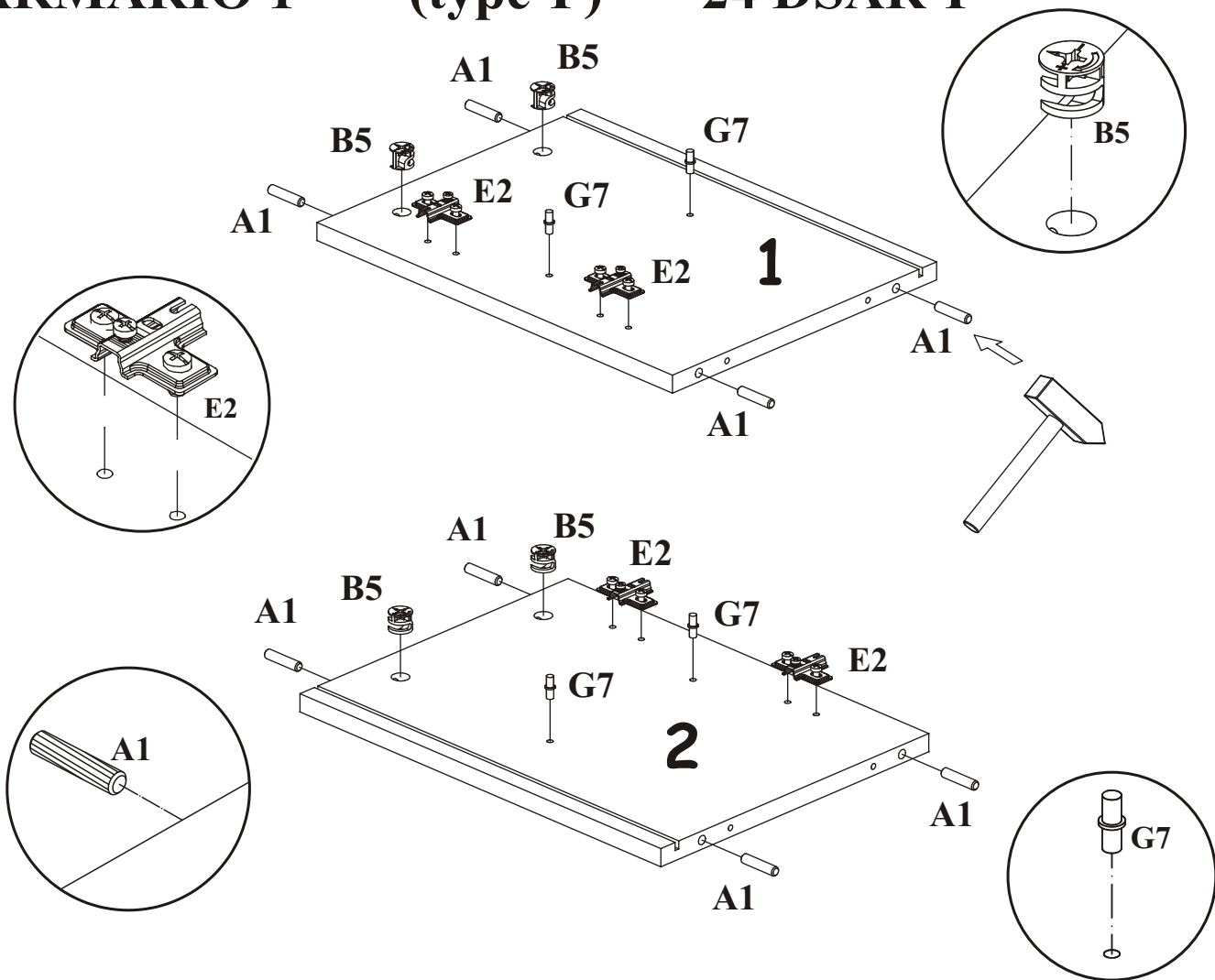


ARMARIO 1

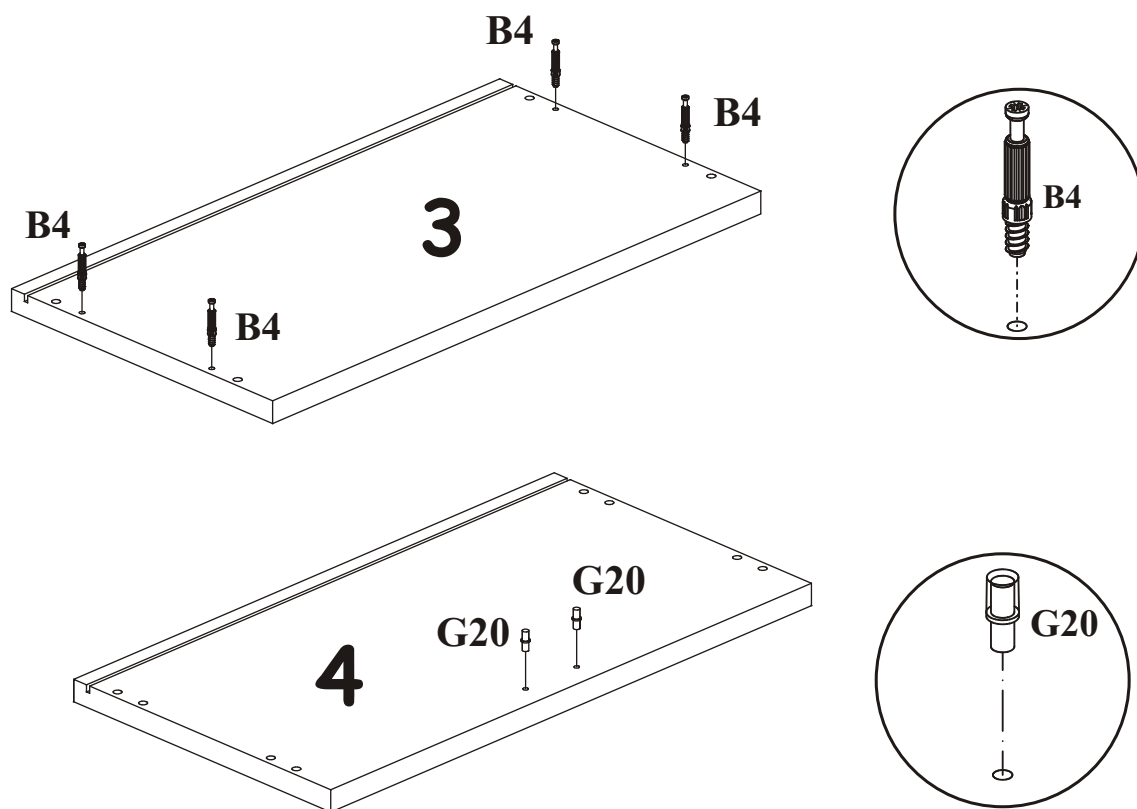
(type-F)

24 DSAR-F

1



2

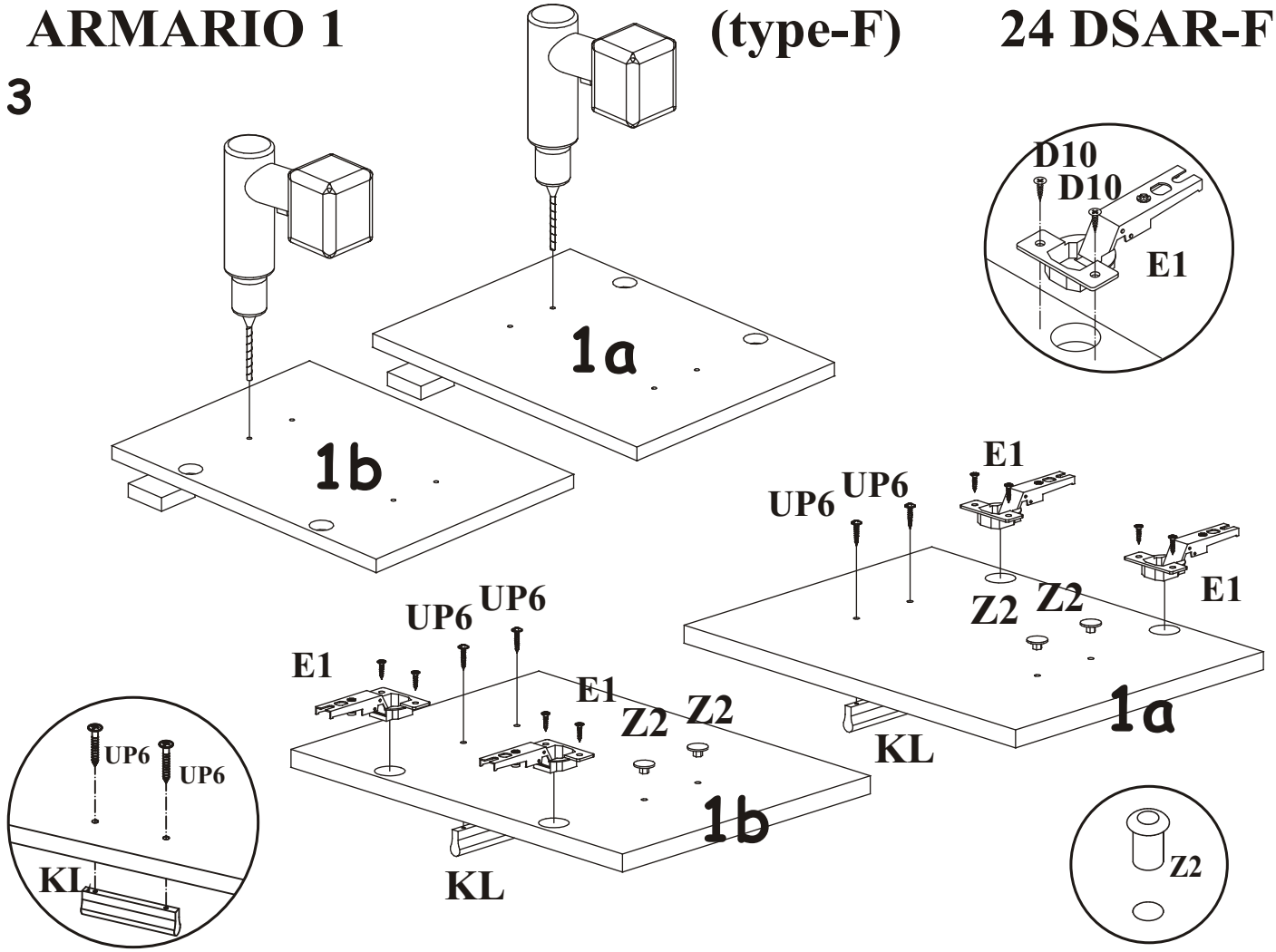


ARMARIO 1

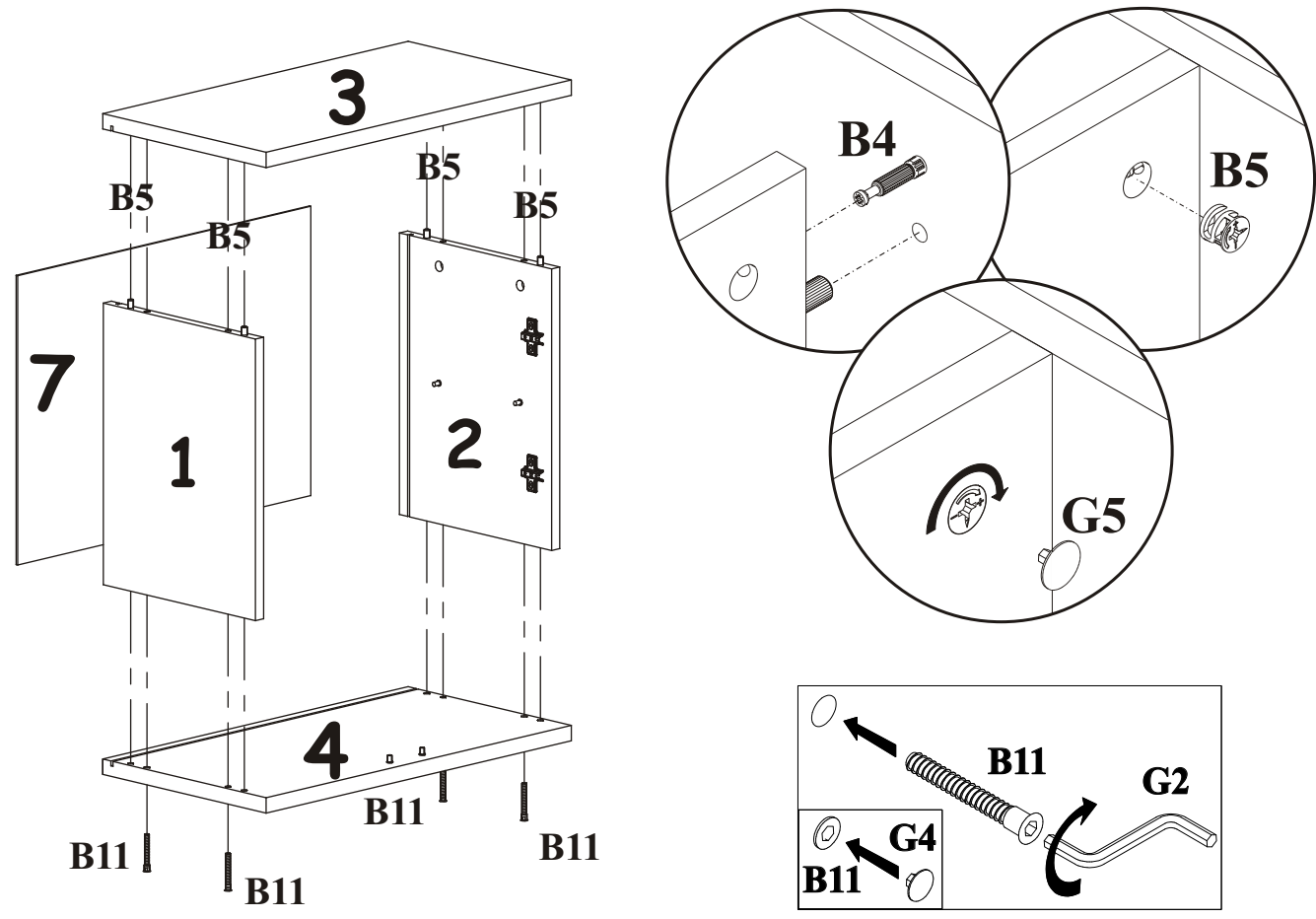
(type-F)

24 DSAR-F

3



4

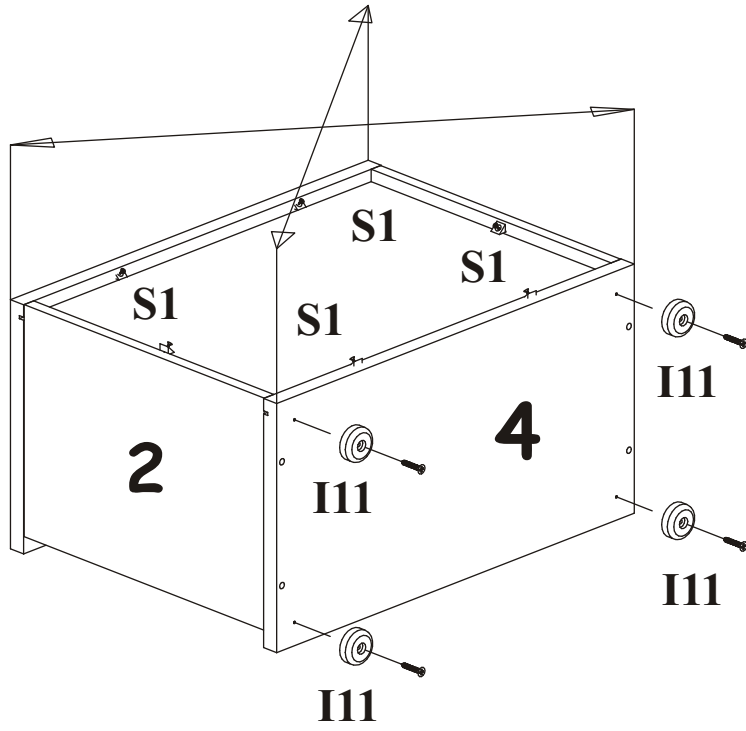


ARMARIO 1

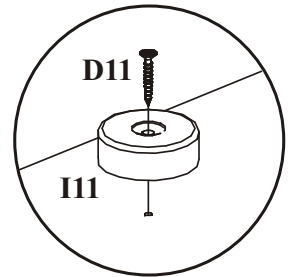
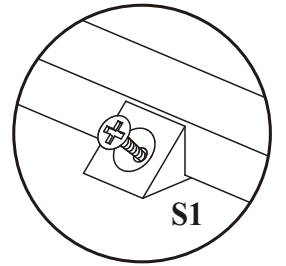
(type-F)

24 DSAR-F

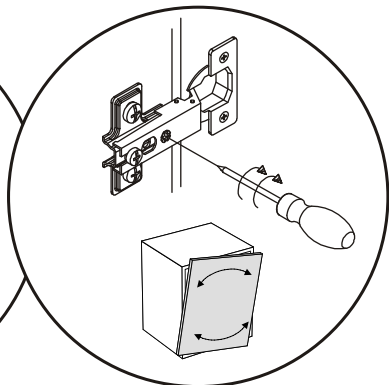
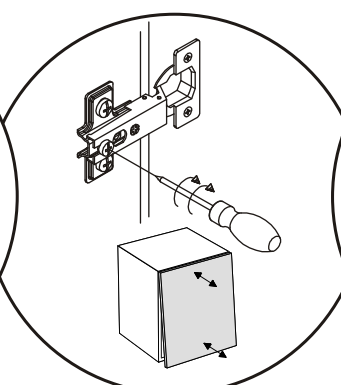
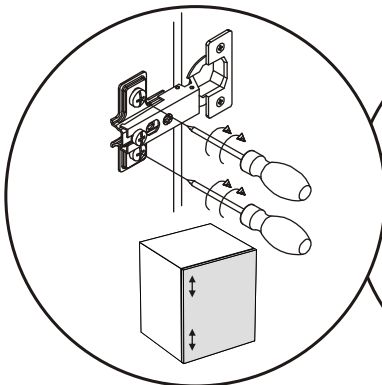
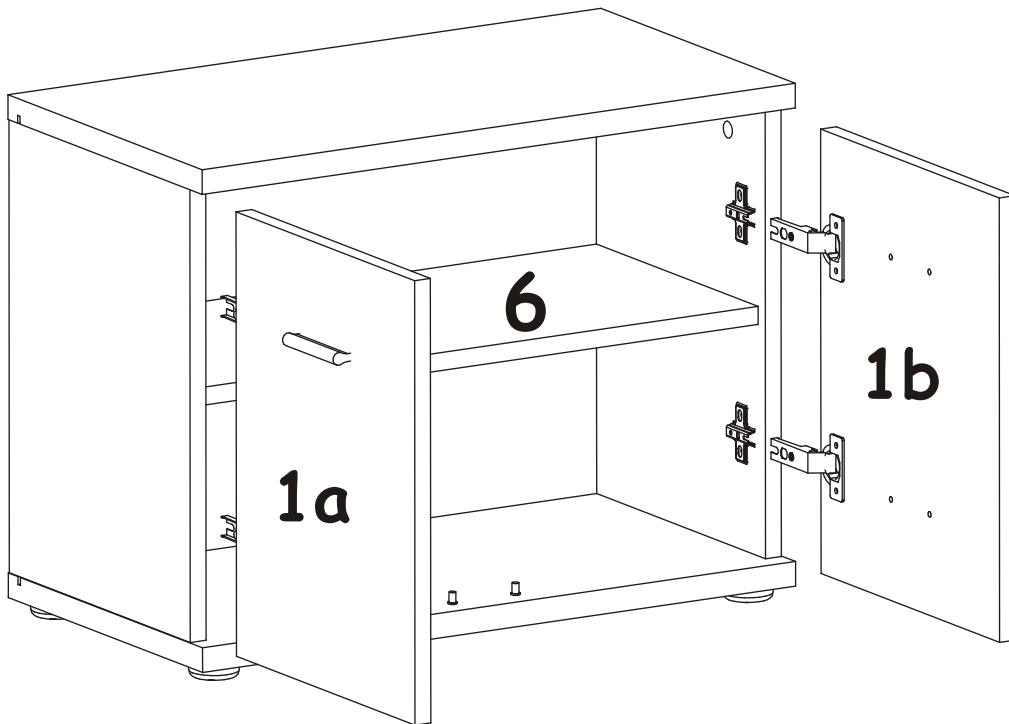
5



X=Y 90°



6

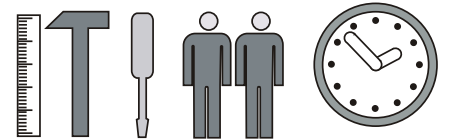
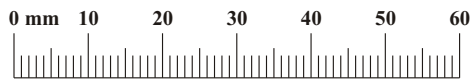
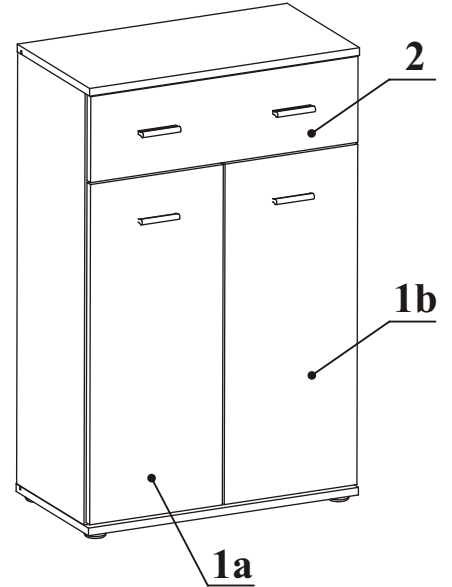
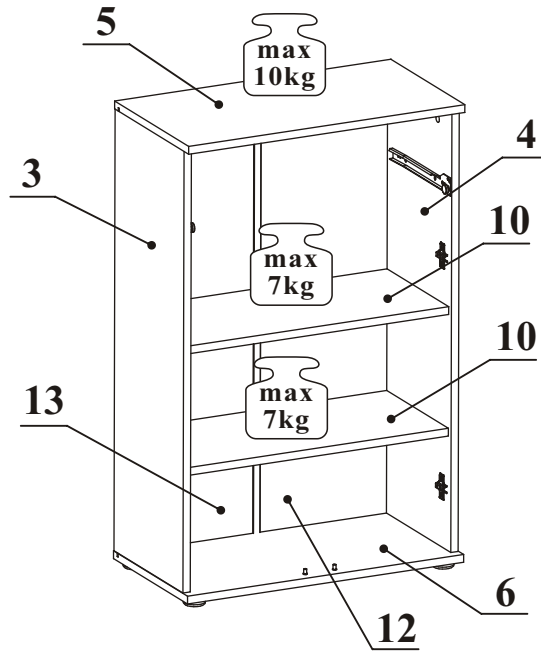
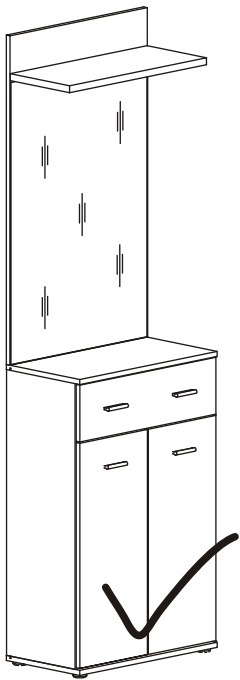


1

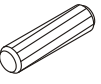


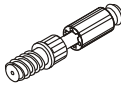


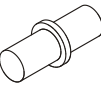
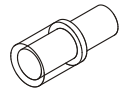
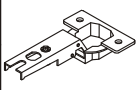
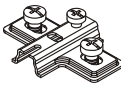
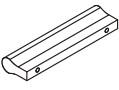
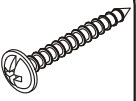

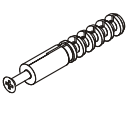
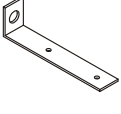
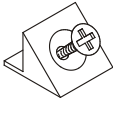
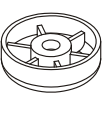
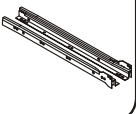





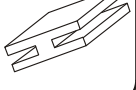
ARMARIO 1

(type-G)

24 DSAR-G



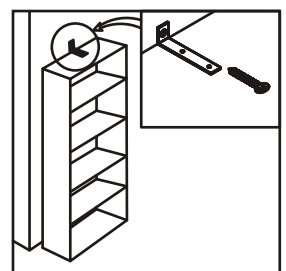
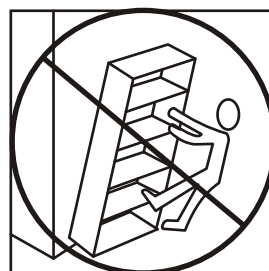
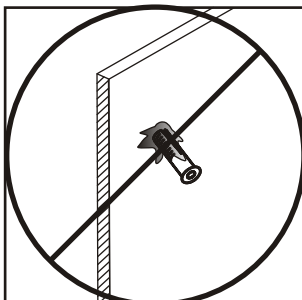
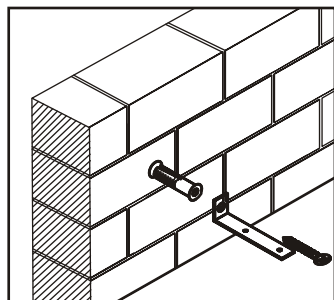
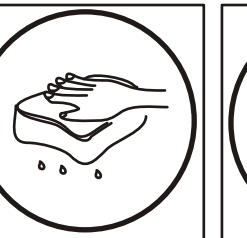
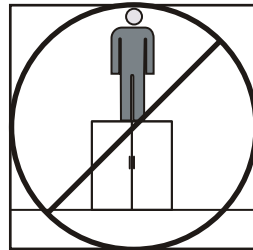
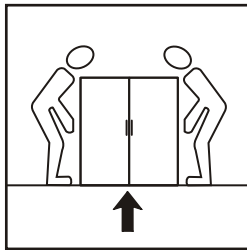
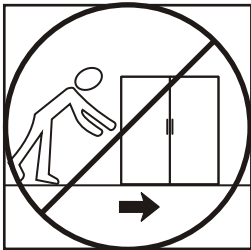
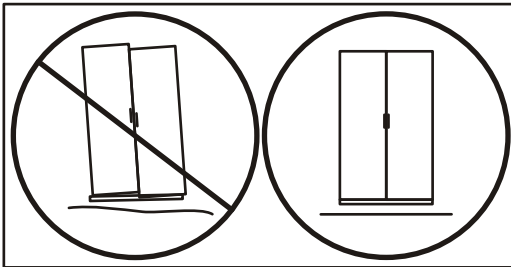
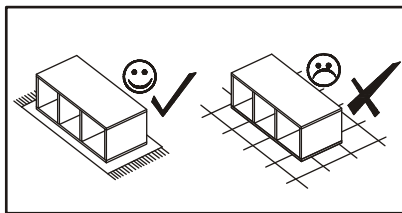
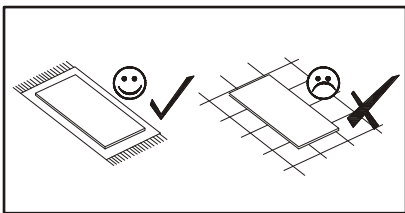
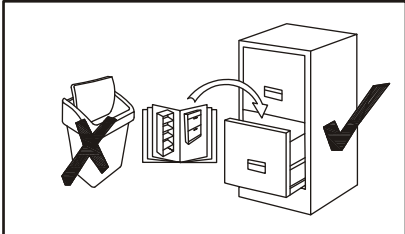
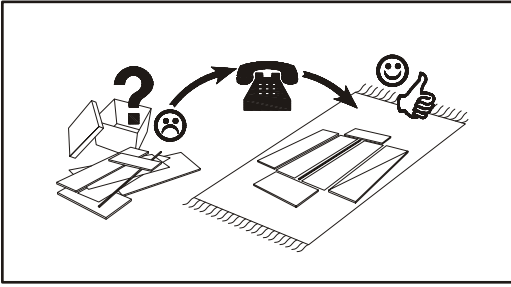
90 min.

A1 X12  ø8x36	B11 X8  Ø7x50	G4 X8 	B4 X6 	B5 X6  ø15x12	G5 X6 
G7 X8 	G20 X2 	E1 X4  H=0	E2 X4  H=0	KL X4 	UP6 X8  UPØ4x30
Z2 X4  Ø5	KR1 X1 	L1 X1 	S1 X10 	I11 X4 	H5 X1 
D10 X14  USØ3,5x13	D11 X4  USØ3,5x25	D8 X4  ESØ5x13	B3 X5  Ø1,4x25	G2 X1 	G8 X1 

ARMARIO 1

(type-G)

24 DSAR-G

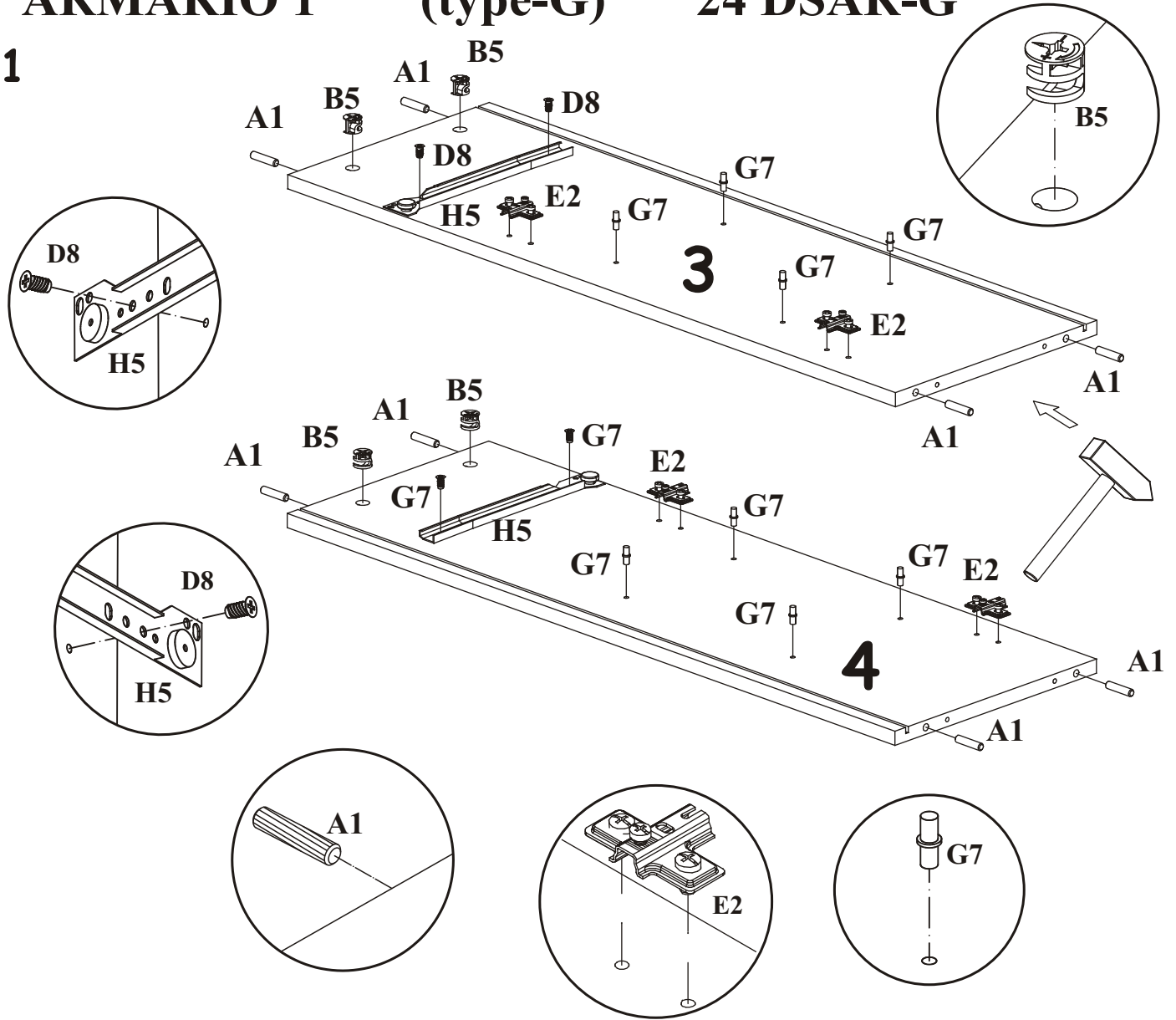


ARMARIO 1

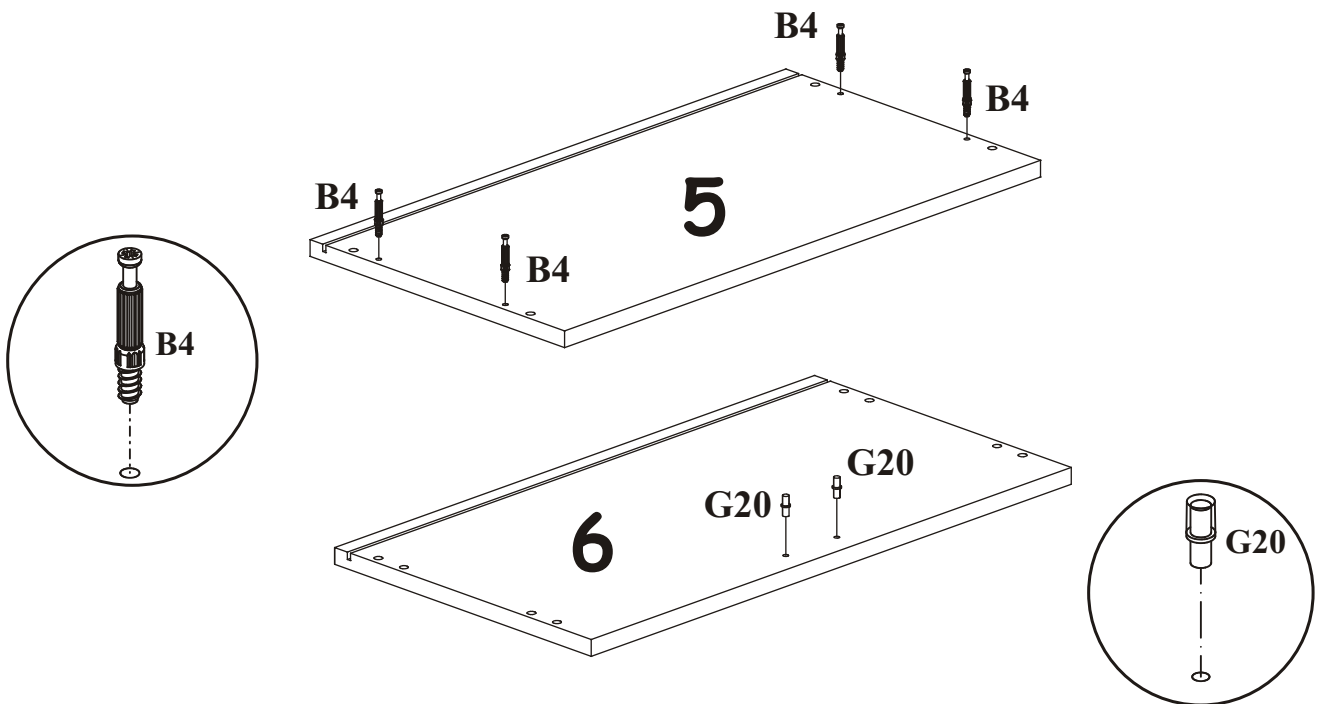
(type-G)

24 DSAR-G

1



2

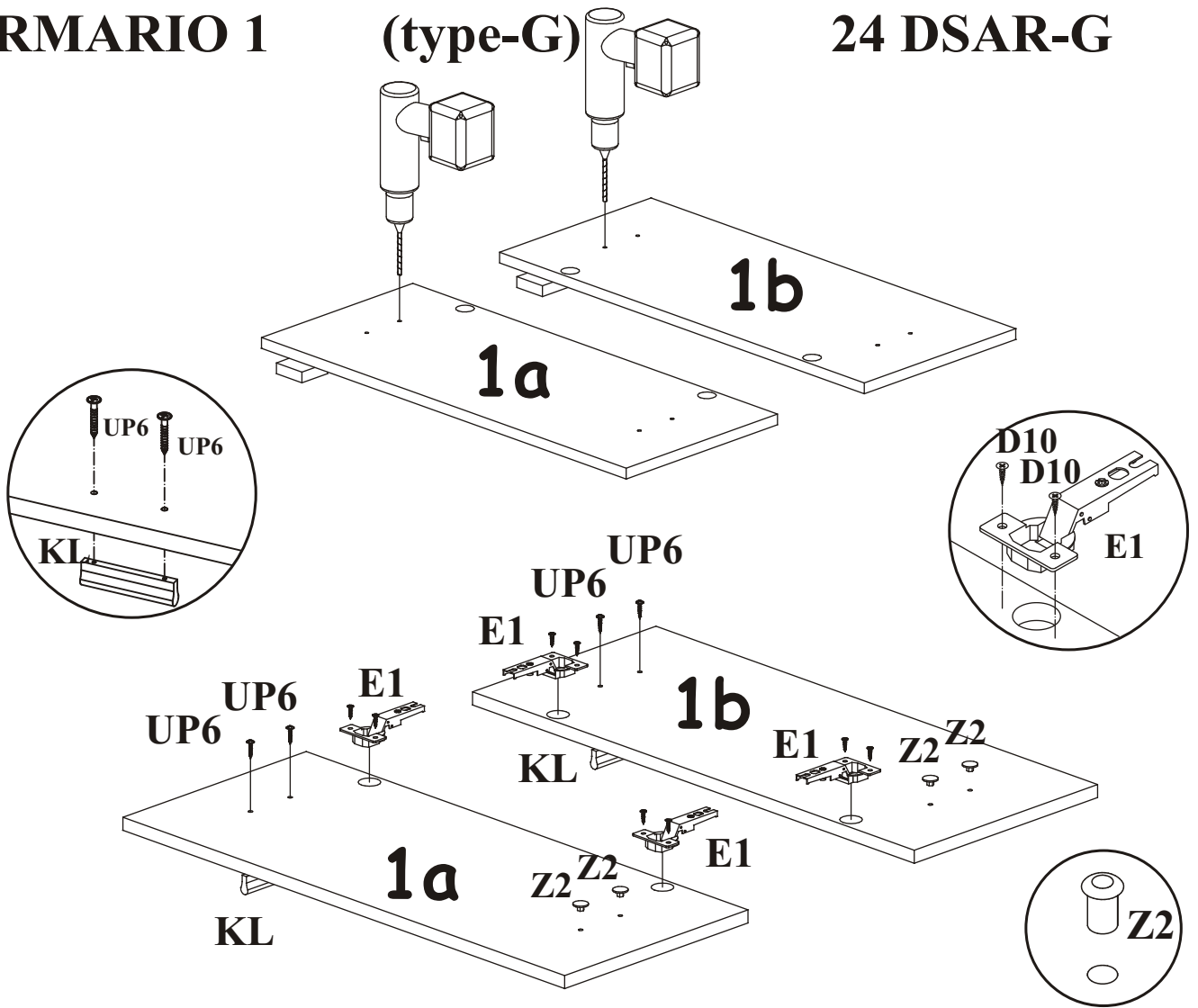


ARMARIO 1

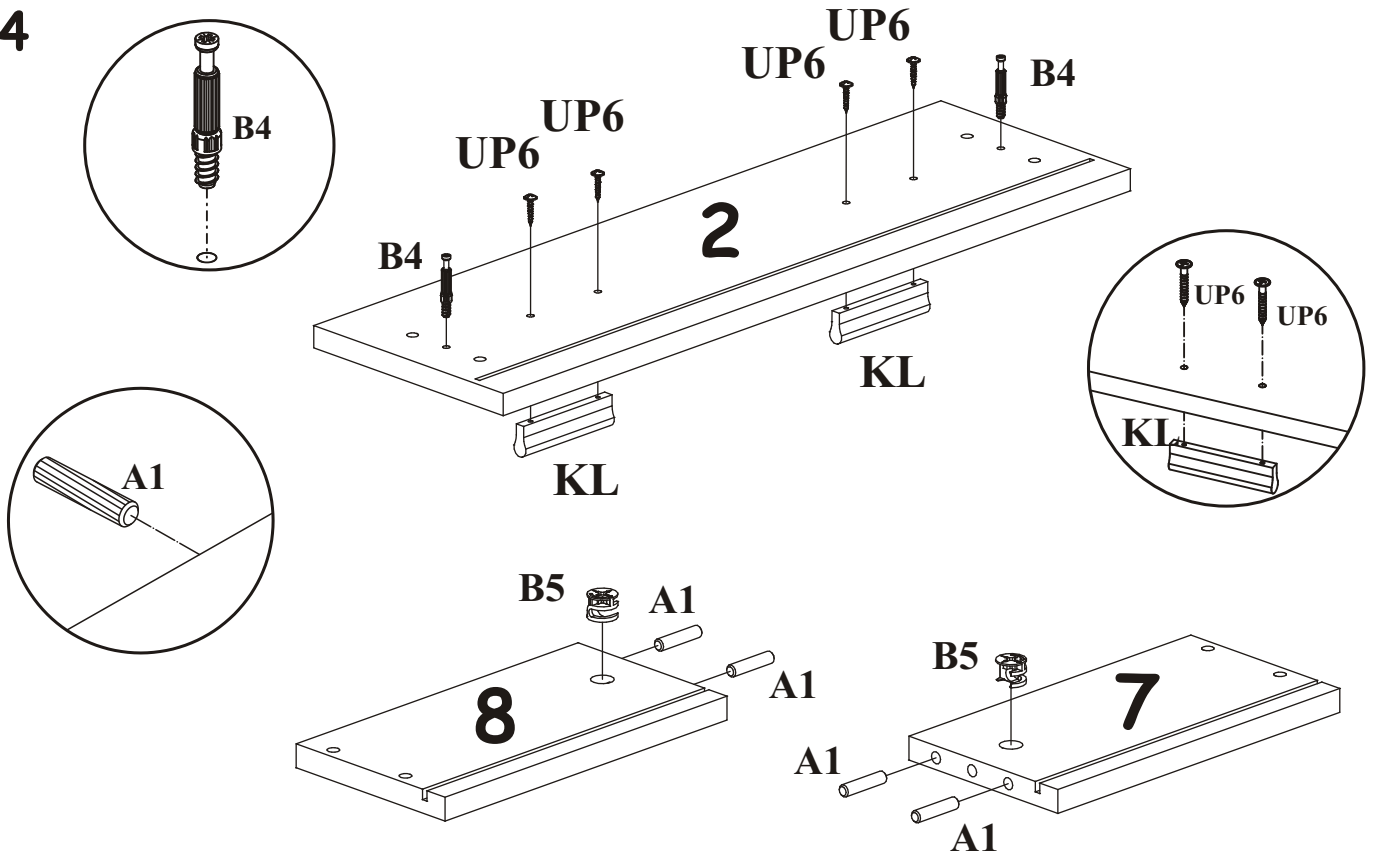
(type-G)

24 DSAR-G

3



4

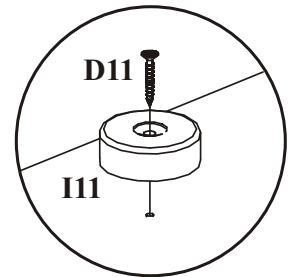
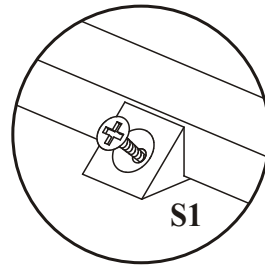
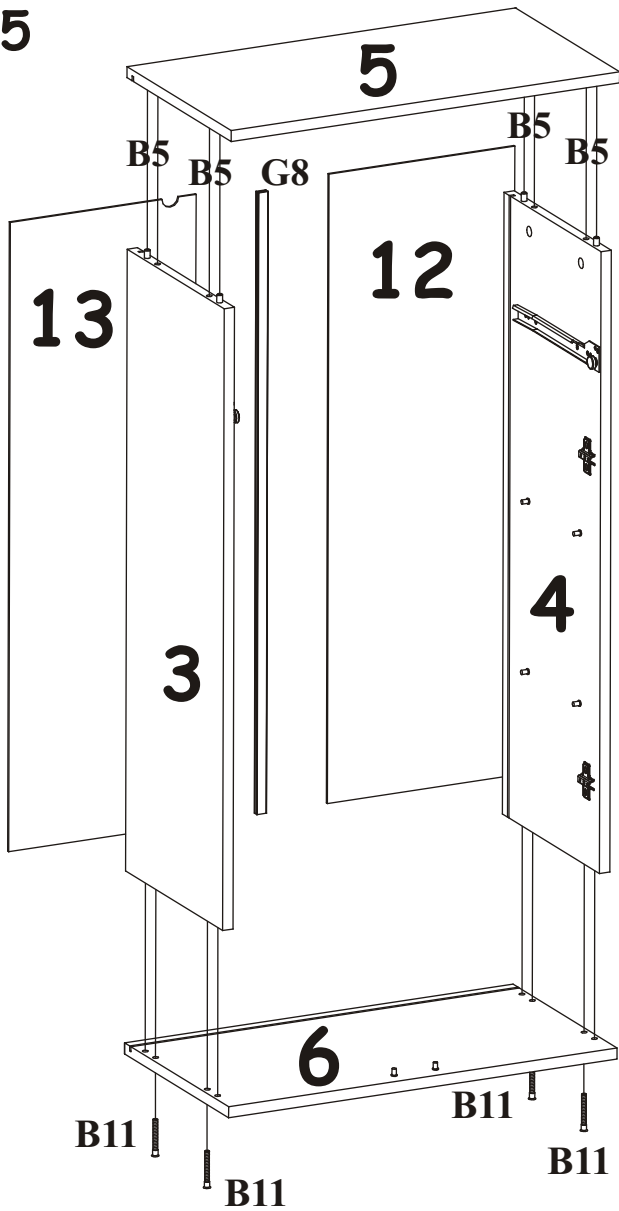


ARMARIO 1

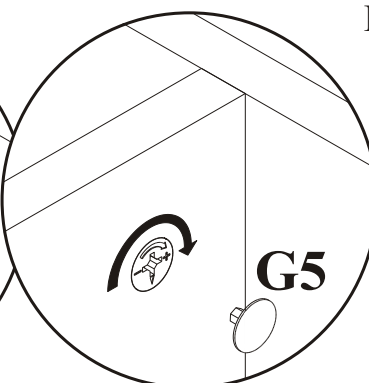
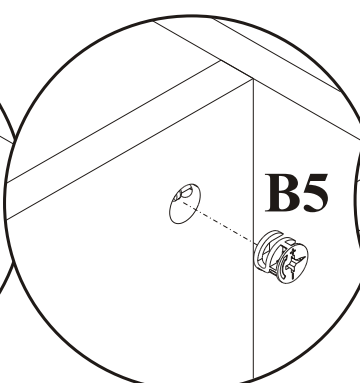
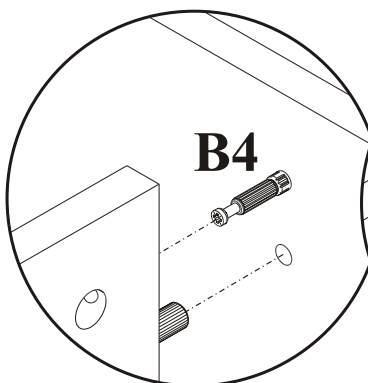
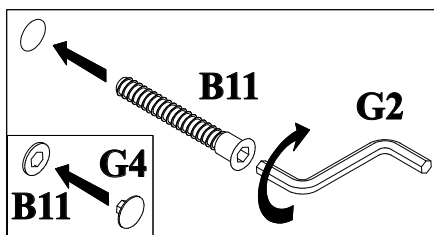
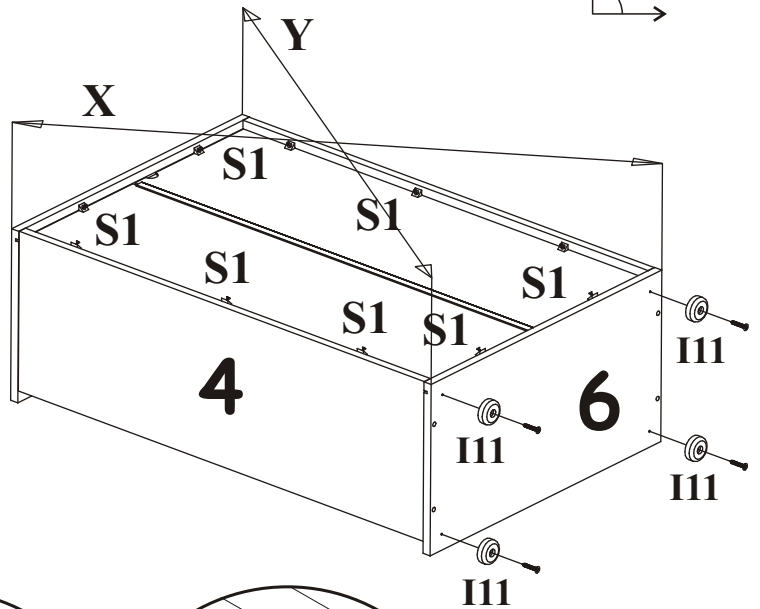
(type-G)

24 DSAR-G

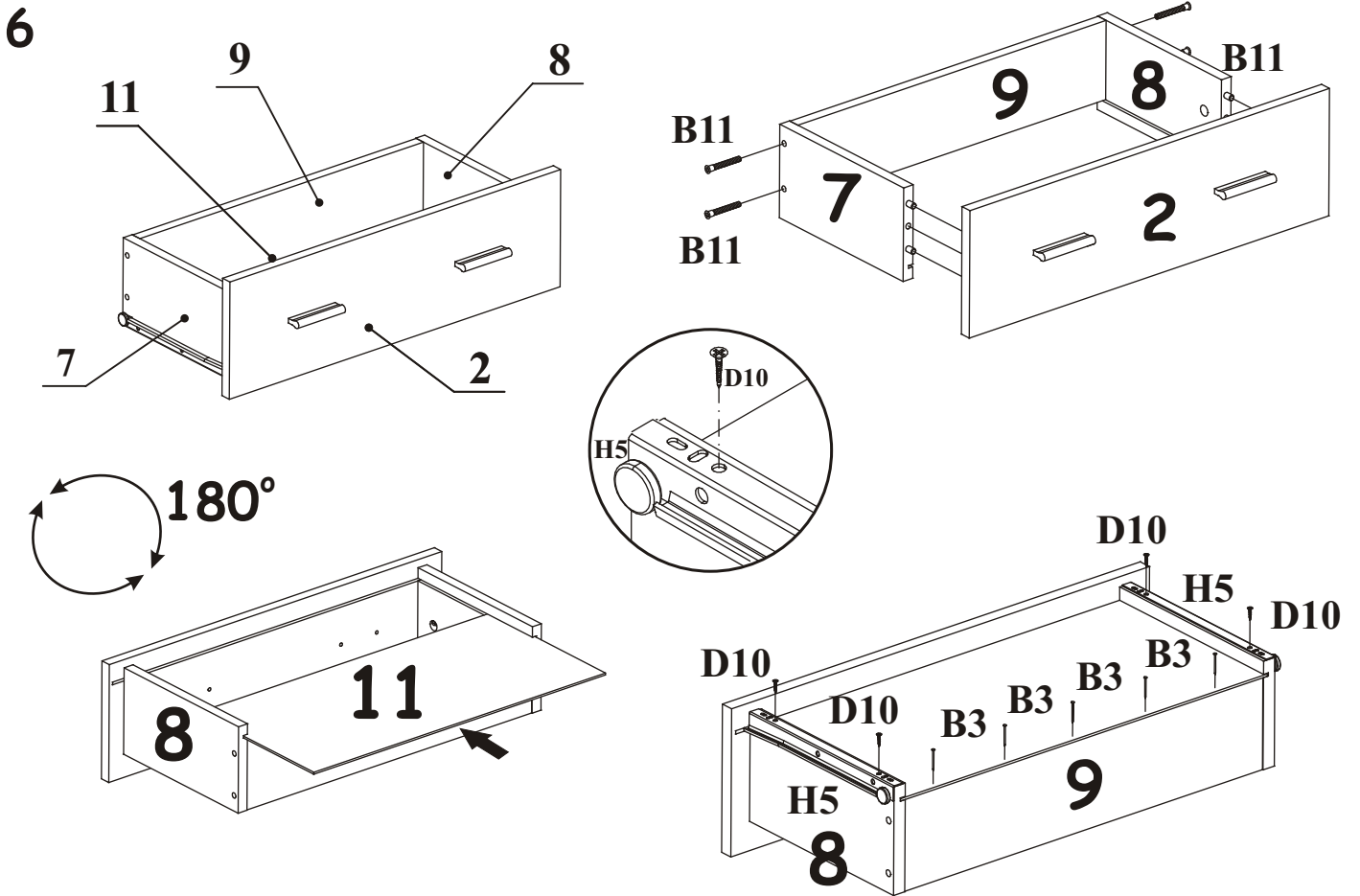
5



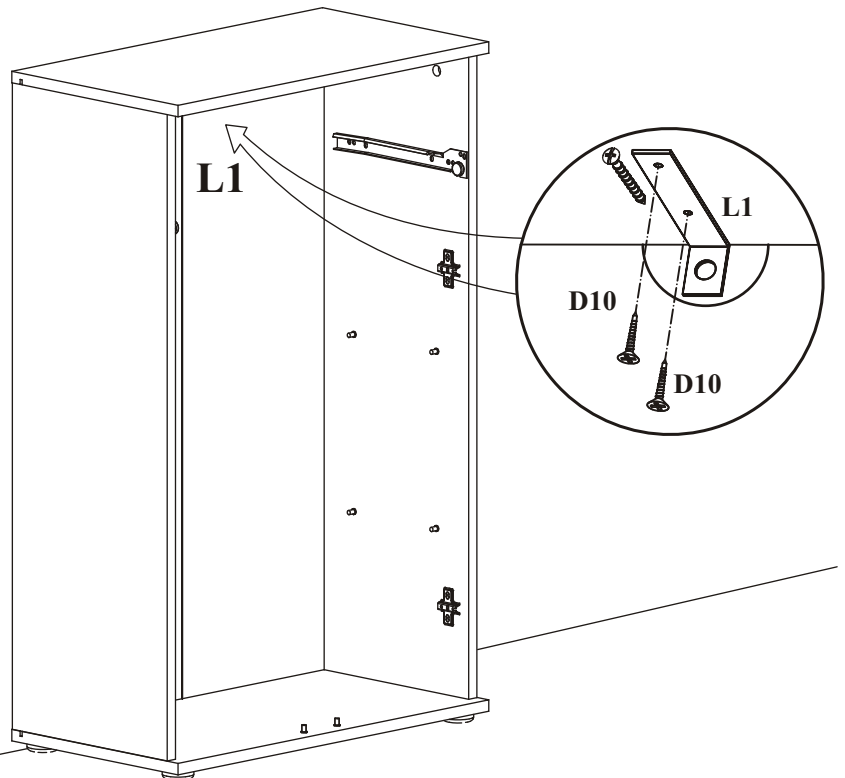
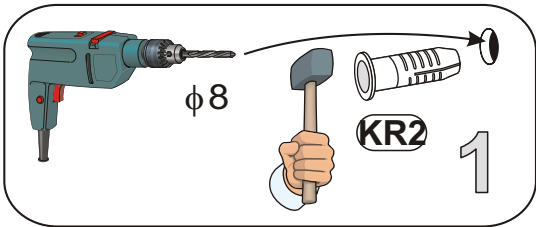
$X=Y$ 90°



ARMARIO 1 (type-G) 24 DSAR-G



7

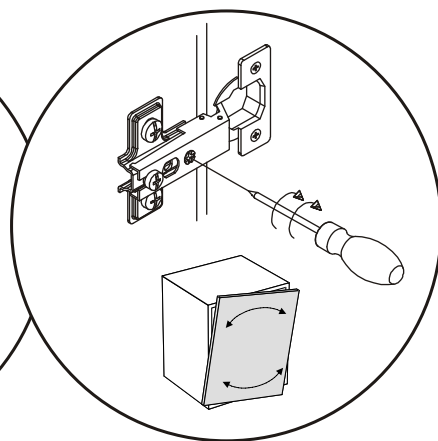
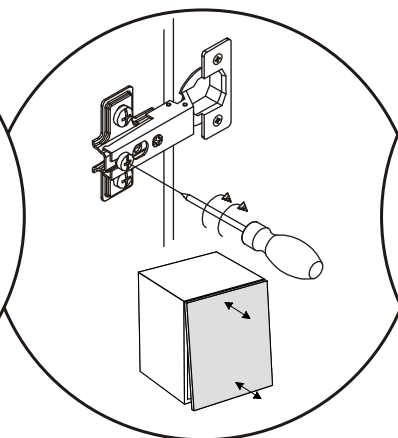
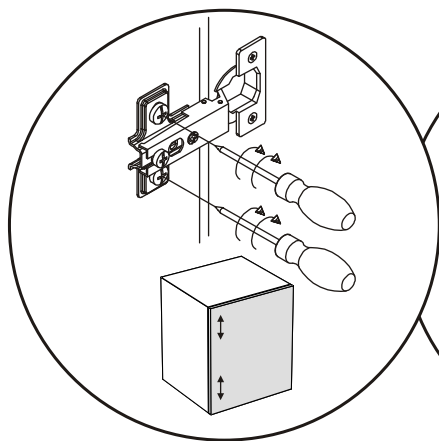
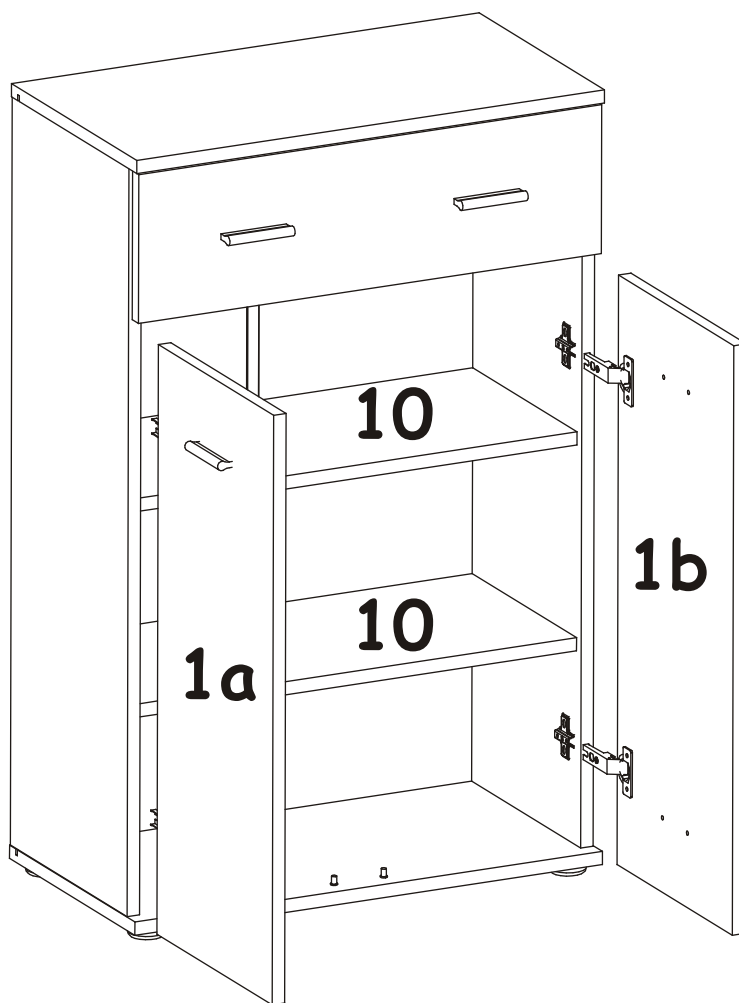
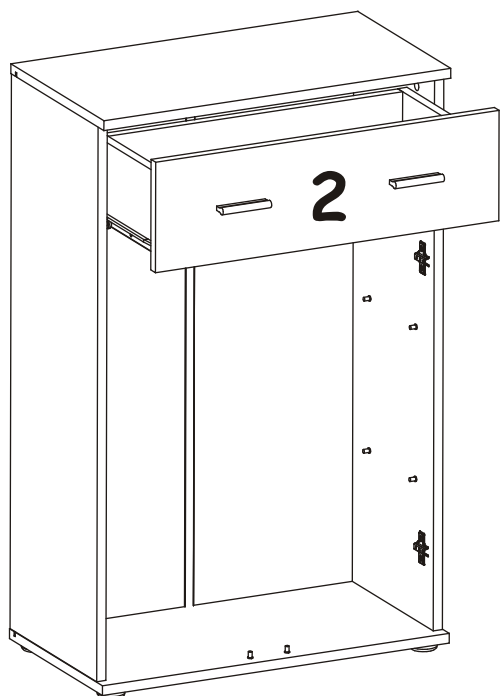


ARMARIO 1

(type-G)

24 DSAR-G

8

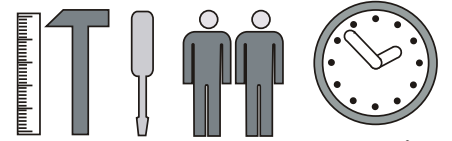
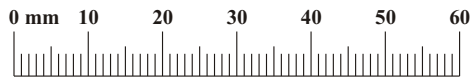
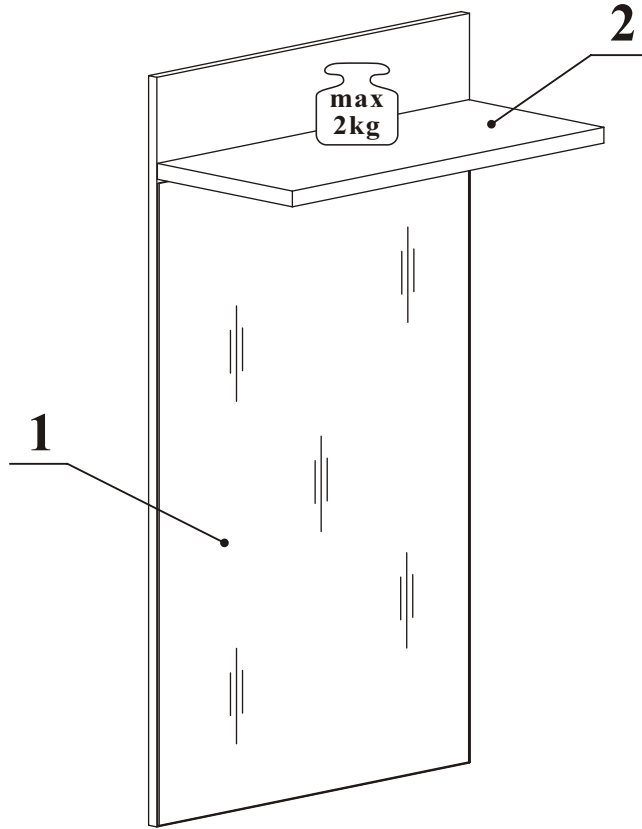
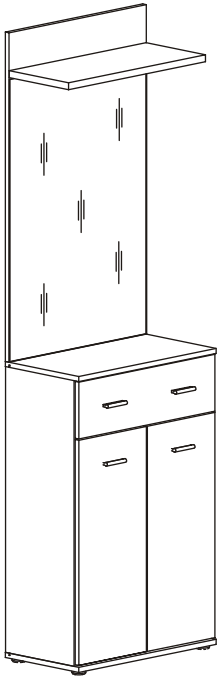


2




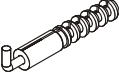
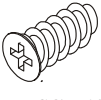

ARMARIO 1

(type-E)

24 DSAR-E



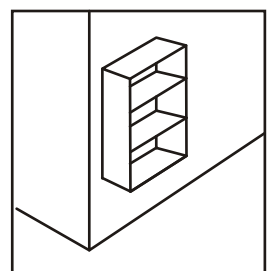
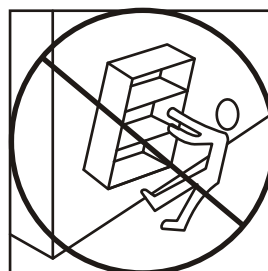
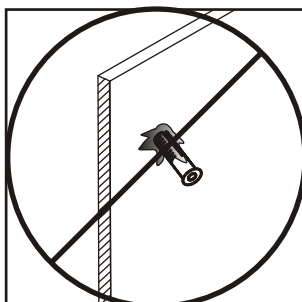
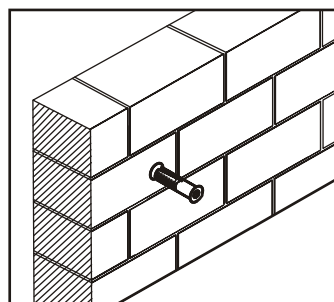
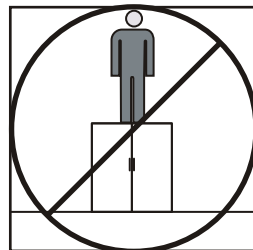
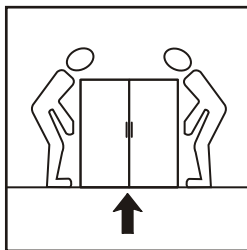
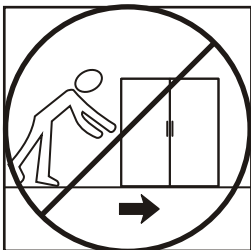
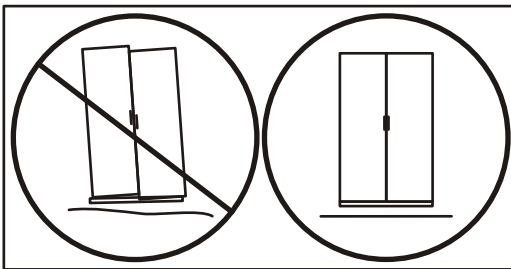
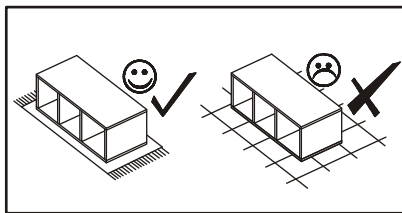
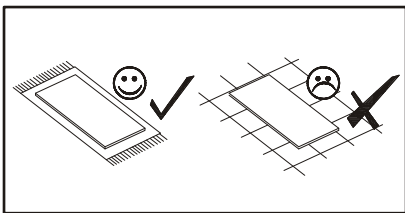
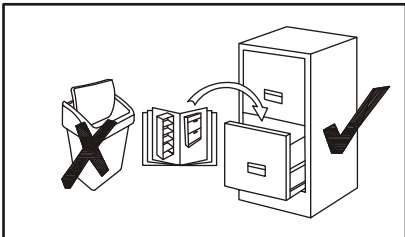
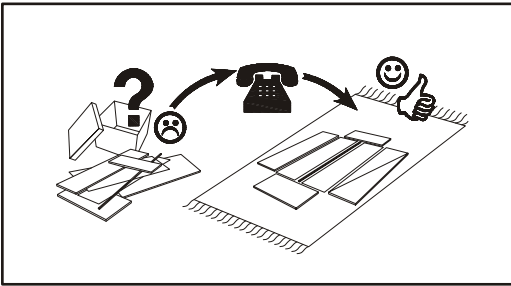
30 min.

A1		B11		G4		KR2		D8		G2	
X3	ø8x36	X2	Ø7x50	X2		X2		X4	ESØ5x13	X1	

ARMARIO 1

(type-E)

24 DSAR-E

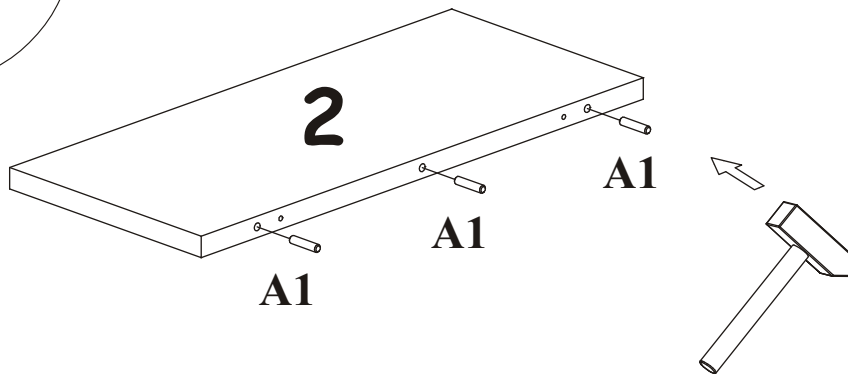
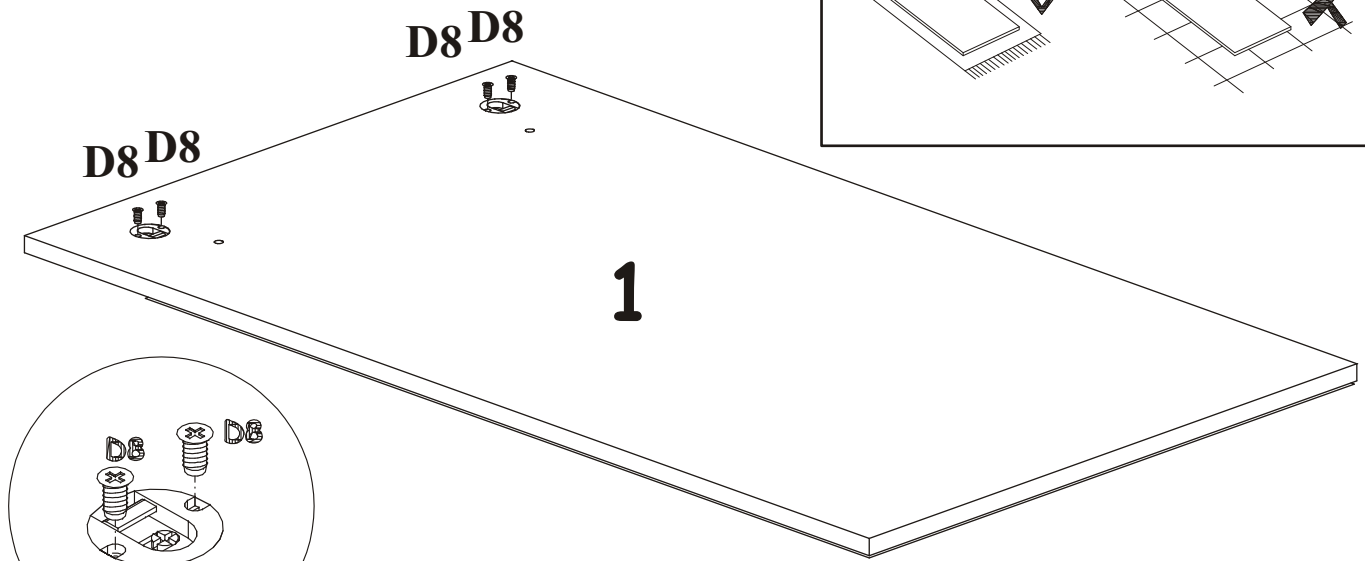
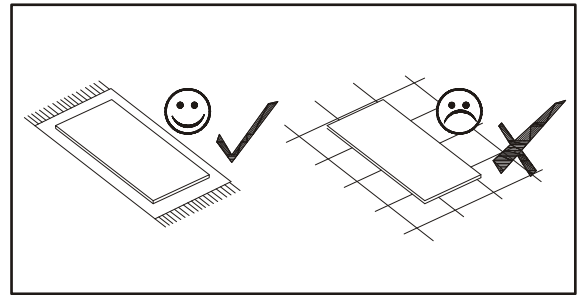


ARMARIO 1

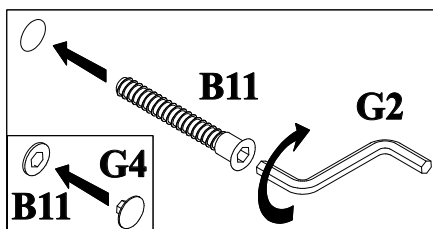
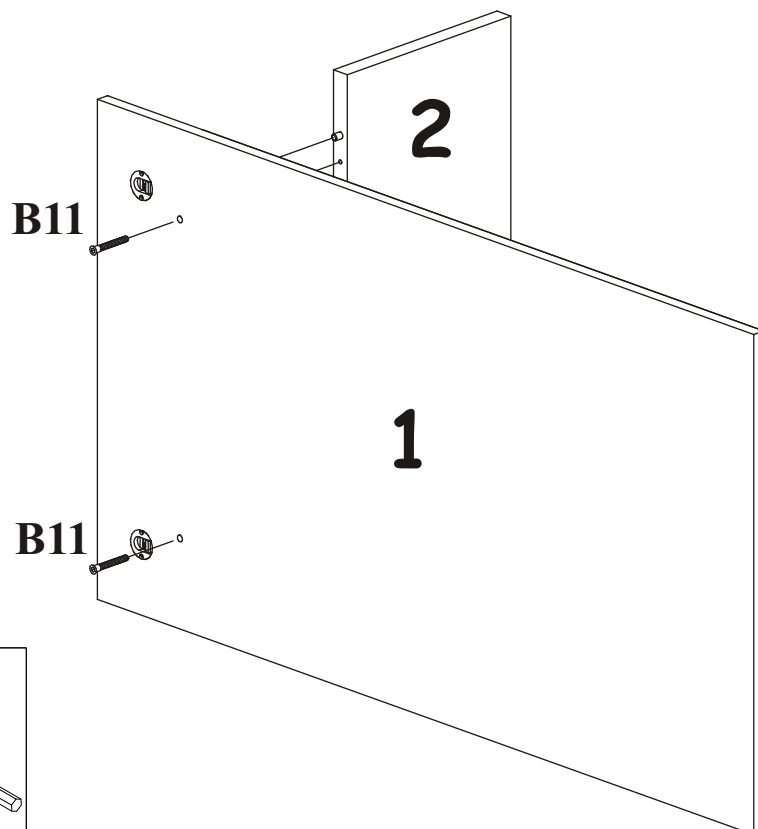
(type-E)

24 DSAR-E

1



2

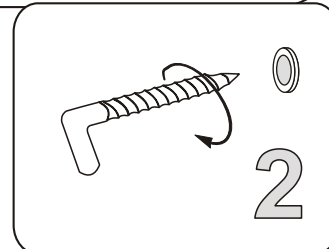
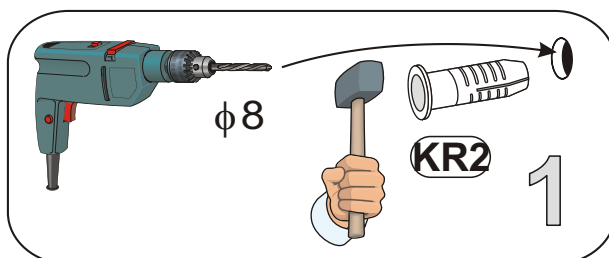
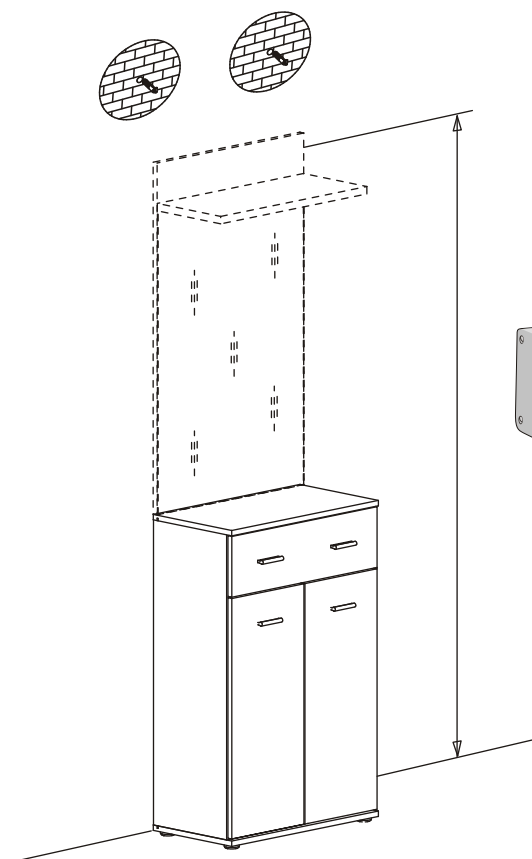


ARMARIO 1

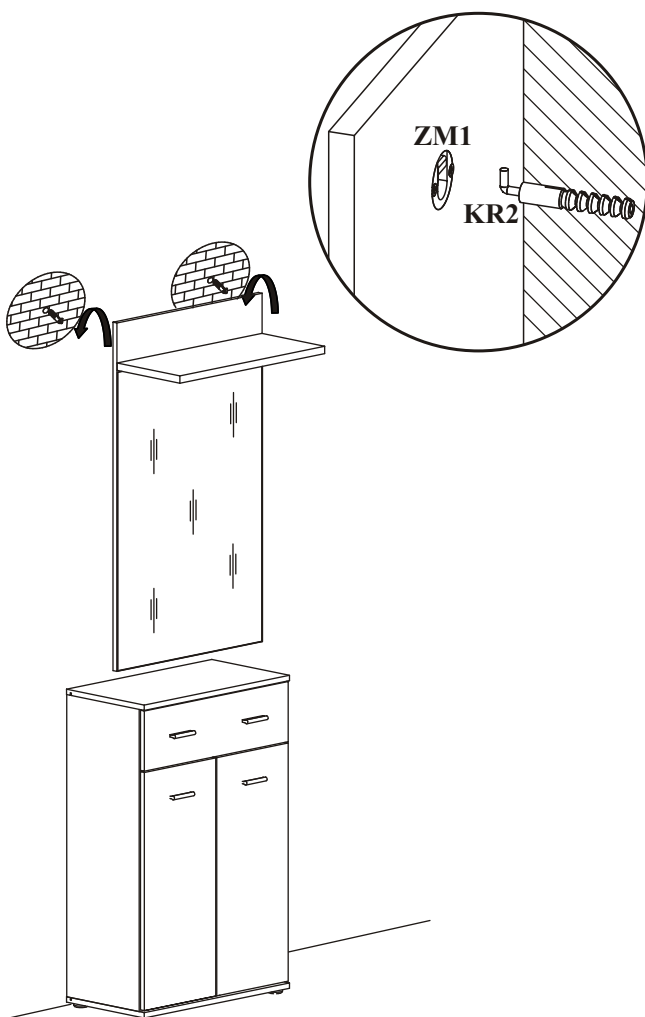
(type-E)

24 DSAR-E

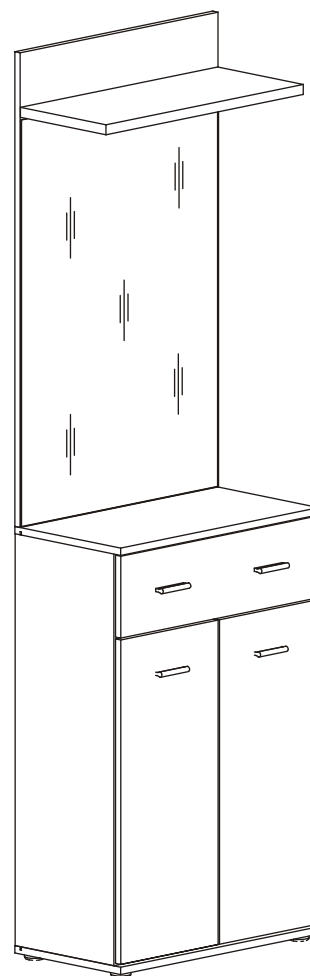
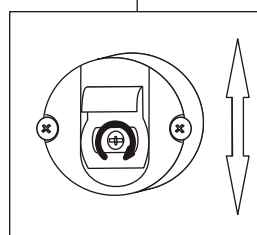
3



4



5

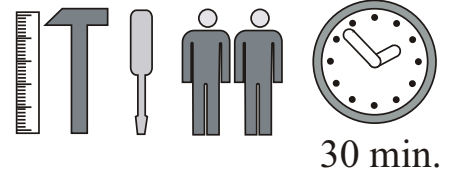
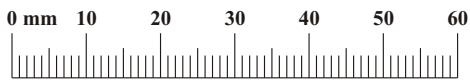
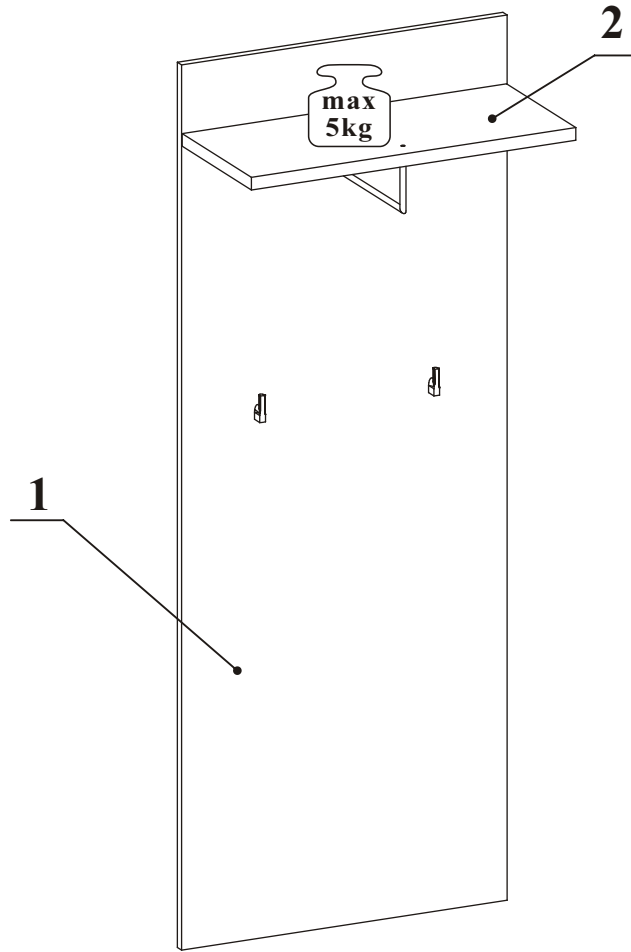
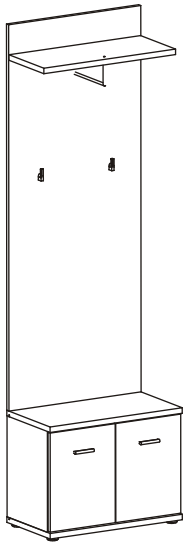



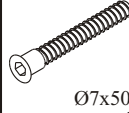


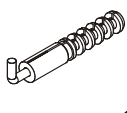
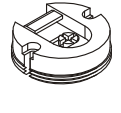


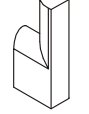
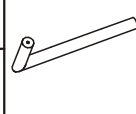
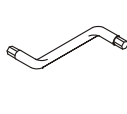
2

ARMARIO 1

(type-D)

24 DSAR-D

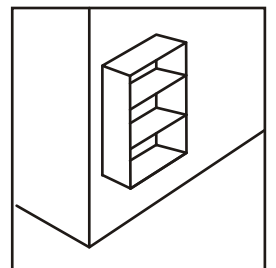
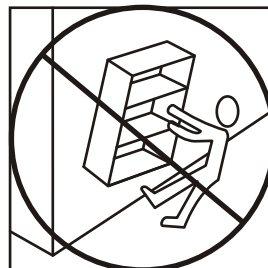
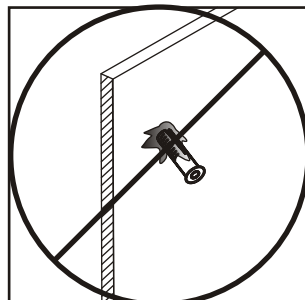
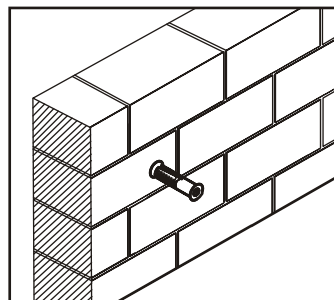
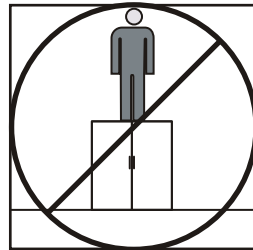
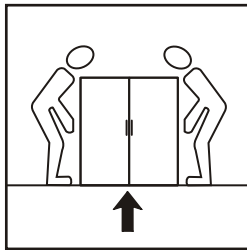
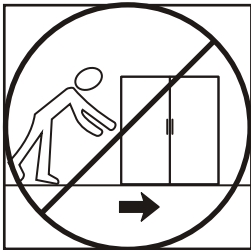
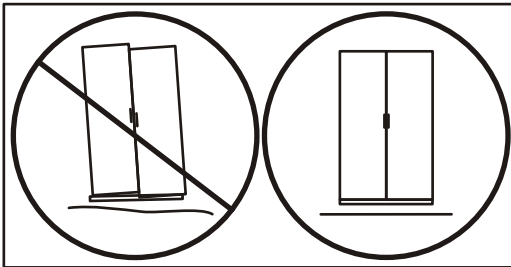
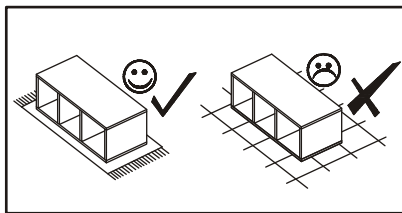
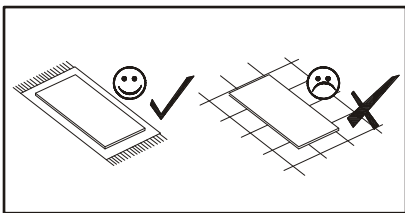
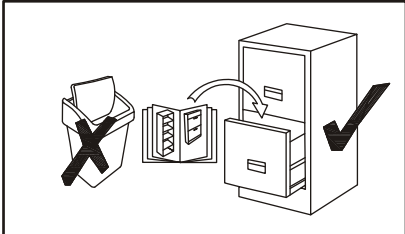
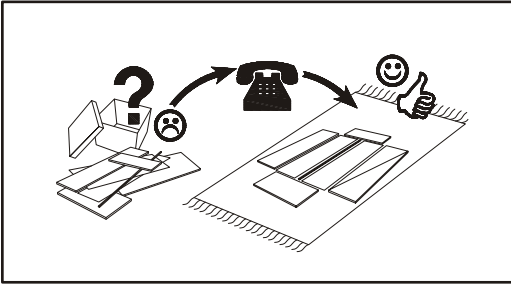


A1 X3	 ø8x36	B11 X2	 Ø7x50	G4 X2		UP6 X4	 UPØ4x30	KR2 X2		ZM1 X2	
D3 X2	 M4x35	D8 X4	 ESØ5x13	WS1 X2		L50 X1		G2 X1			

ARMARIO 1

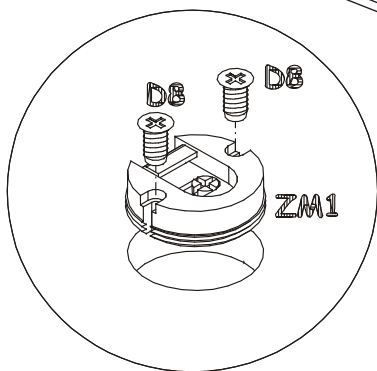
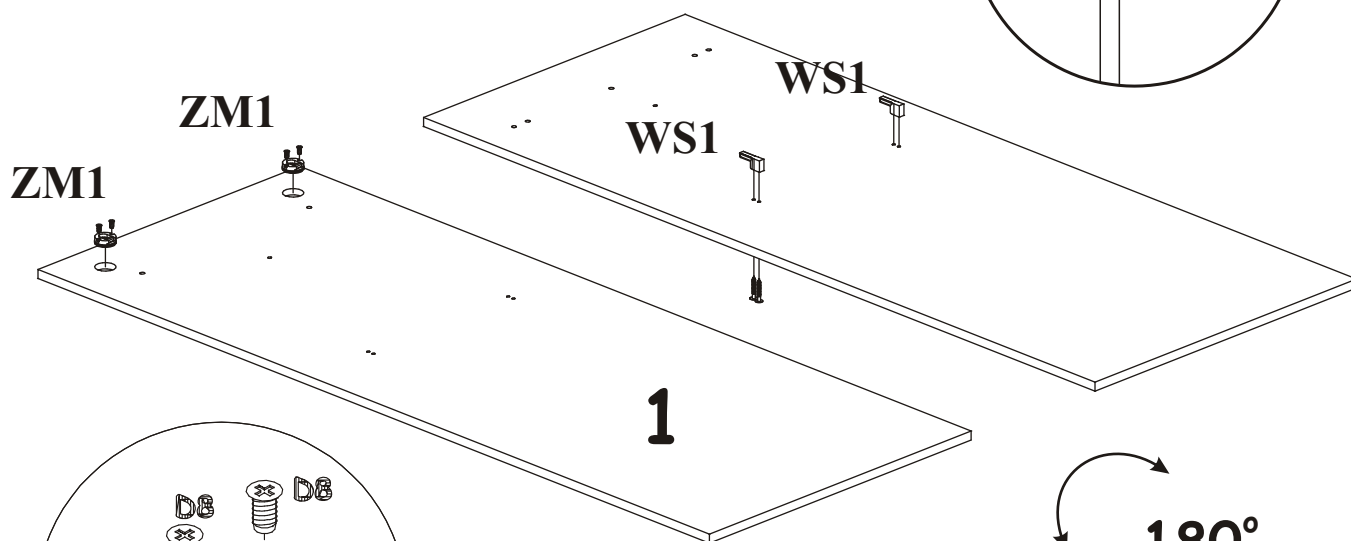
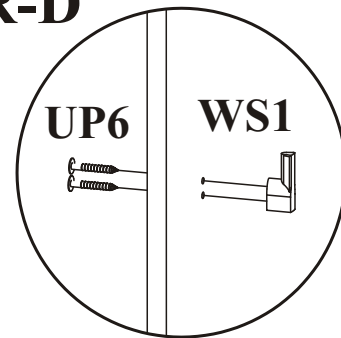
(type-D)

24 DSAR-D

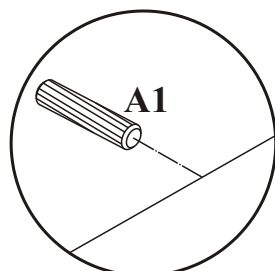
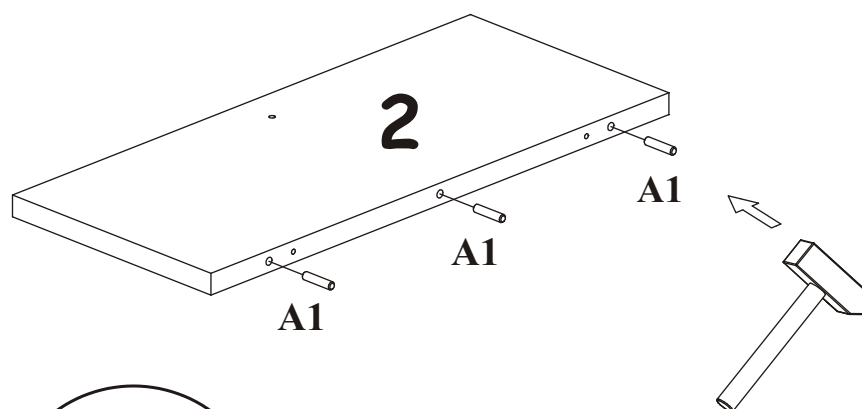


ARMARIO 1 (type-D) 24 DSAR-D

1



2

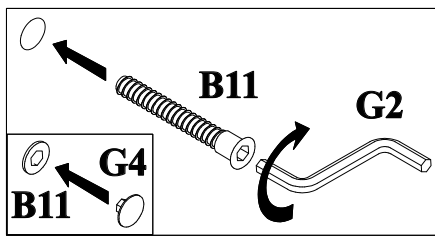
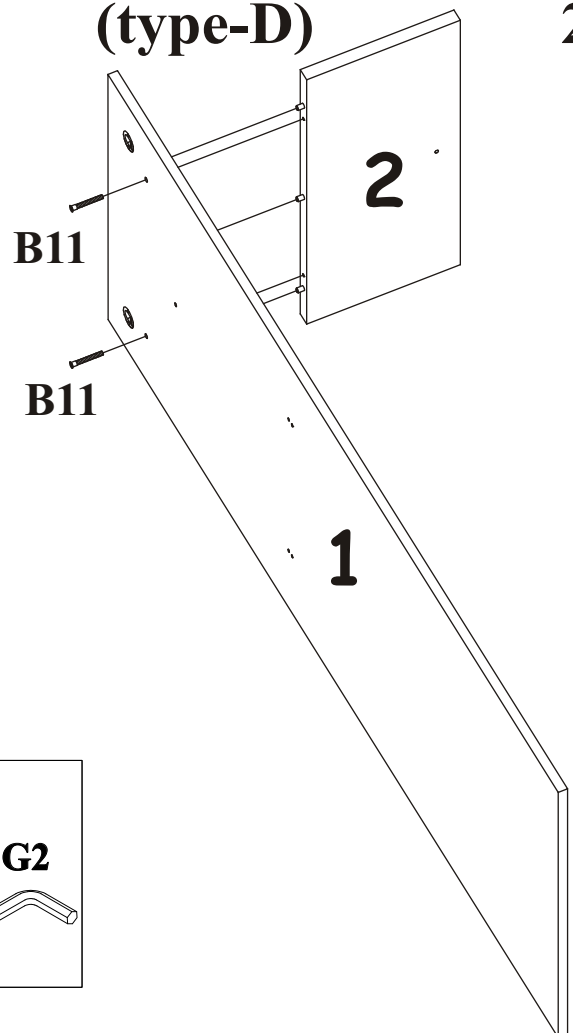


ARMARIO 1

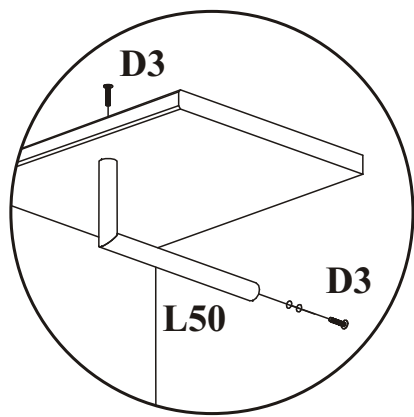
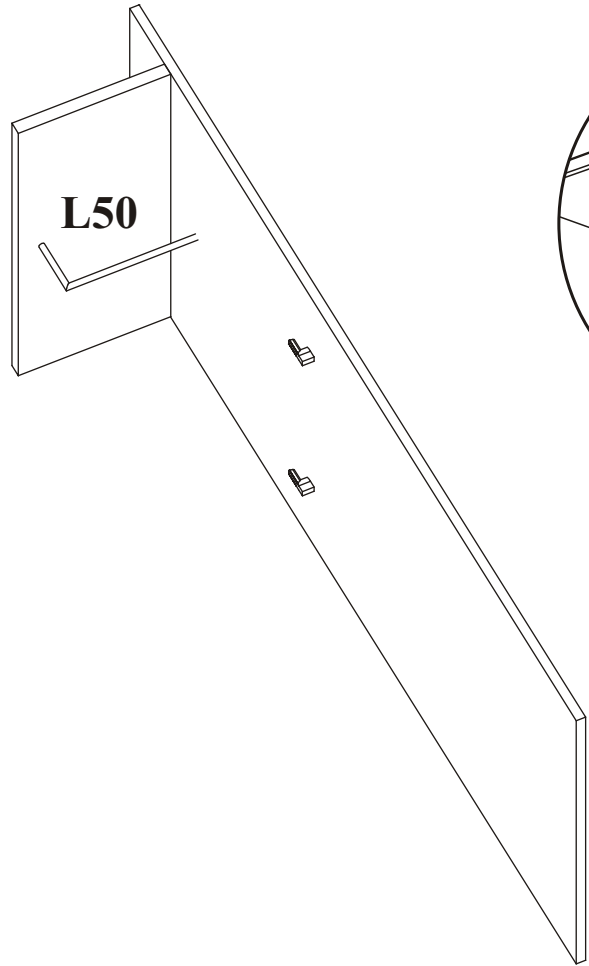
(type-D)

24 DSAR-D

3



4

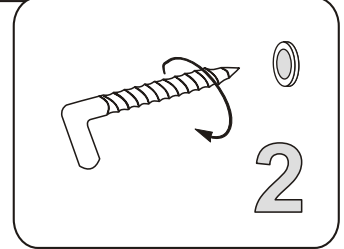
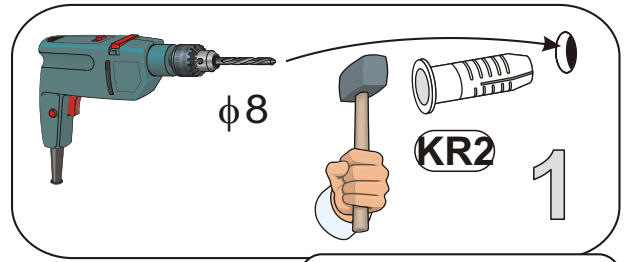
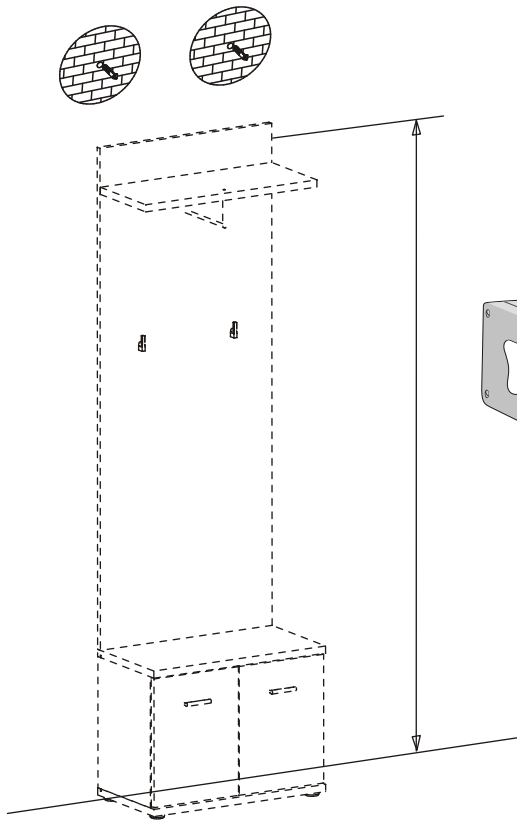


ARMARIO 1

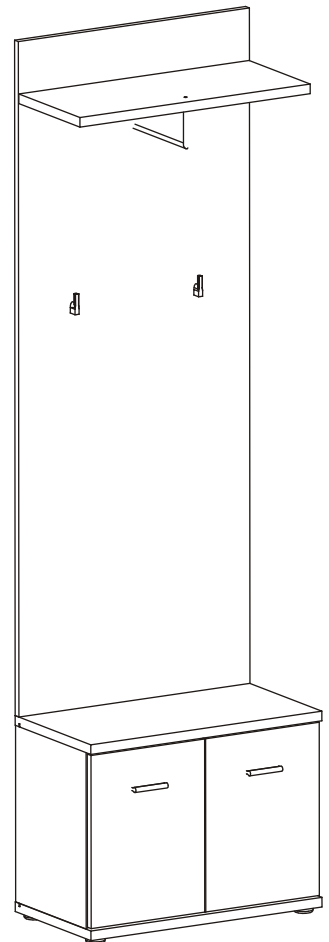
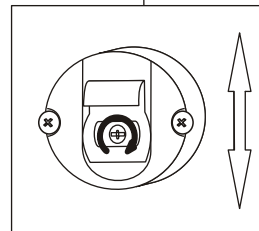
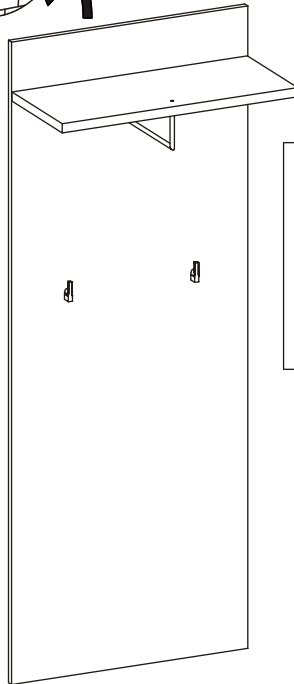
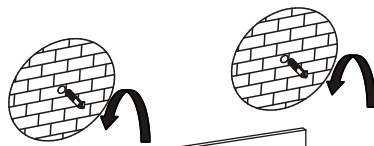
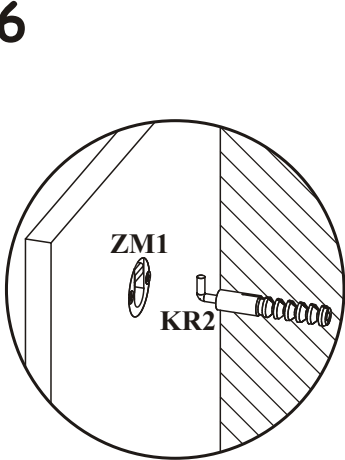
(type-D)

24 DSAR-D

5



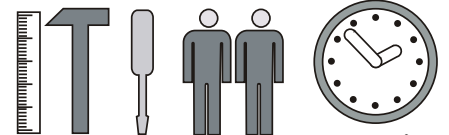
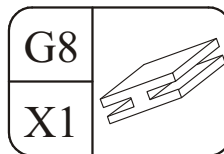
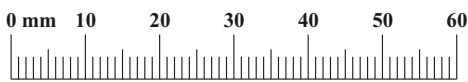
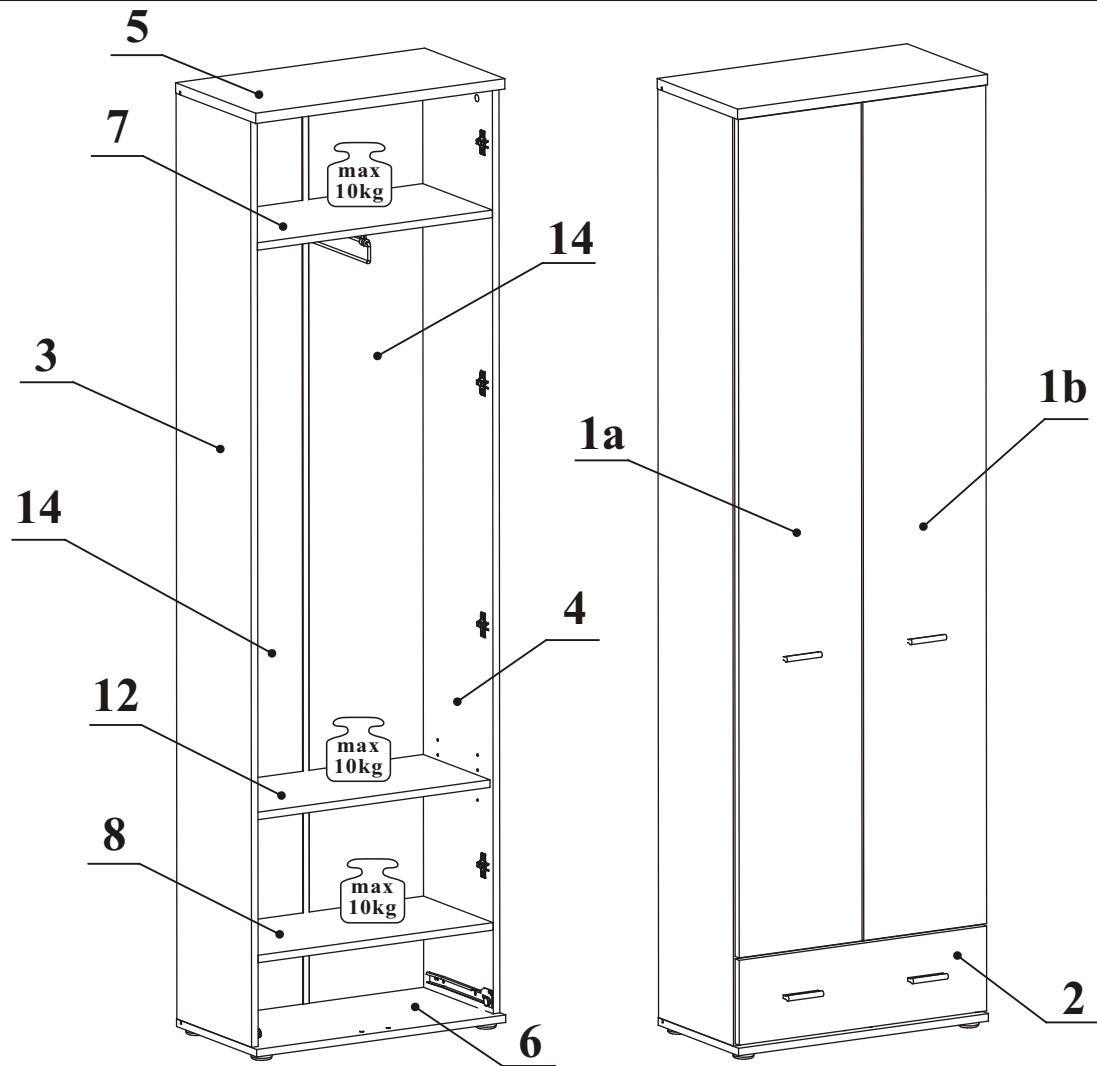
6



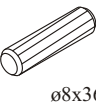
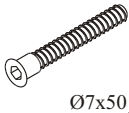

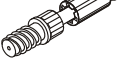


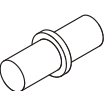
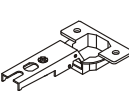
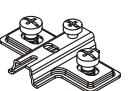
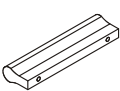



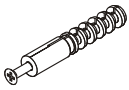
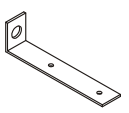
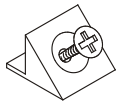
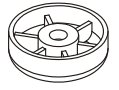
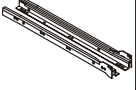




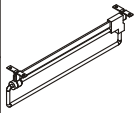

ARMARIO 1

(type-A)

24 DSAR-A



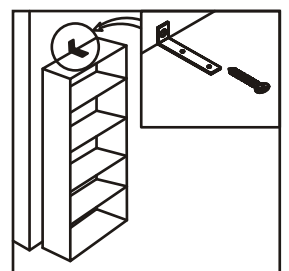
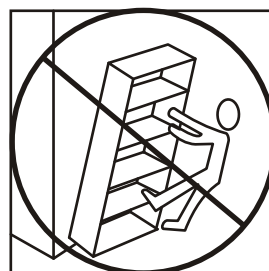
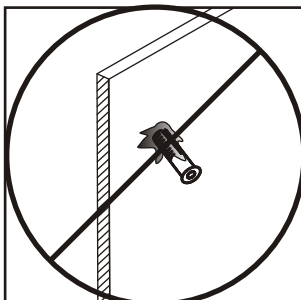
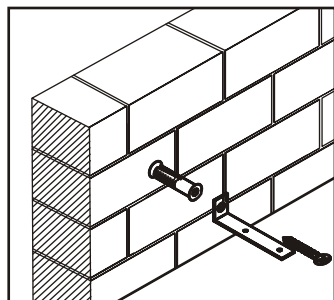
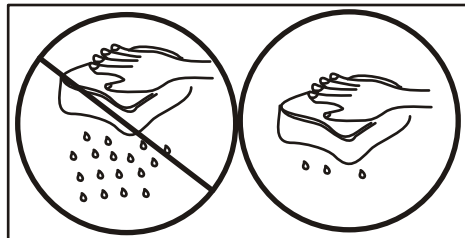
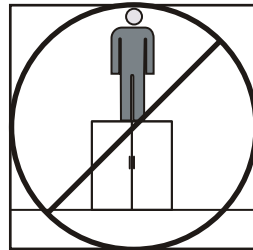
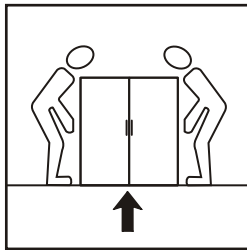
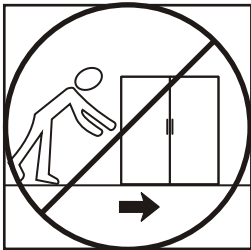
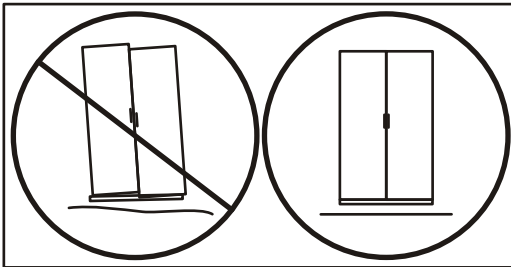
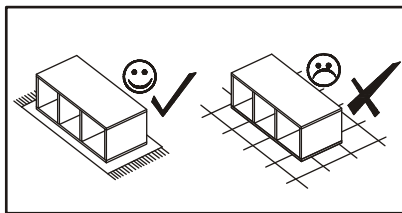
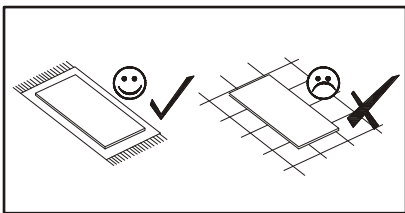
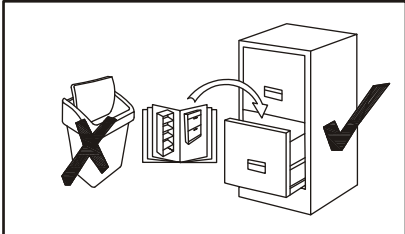
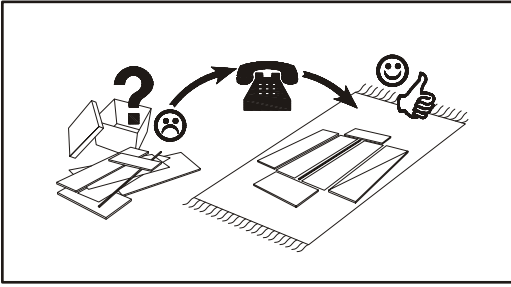
90 min

A1 X20  ø8x36	B11 X8  Ø7x50	G4 X8 	B4 X14 	B5 X14  ø15x12	G5 X14 
G7 X4 	E1 X8  H=0	E2 X8  H=0	KL X4 	UP6 X8  UPØ4x30	UP17 X4  UPØ3x16
Z2 X4  Ø5	KR1 X1 	L1 X1 	S1 X16 	I11 X4 	H5 X1 
D10 X22  USØ3,5x13	D11 X4  USØ3,5x25	D8 X4  ESØ5x13	B3 X15  Ø1,4x25	C6 Ilość 1 	G2 X1 

ARMARIO 1

(type-A)

24 DSAR-A

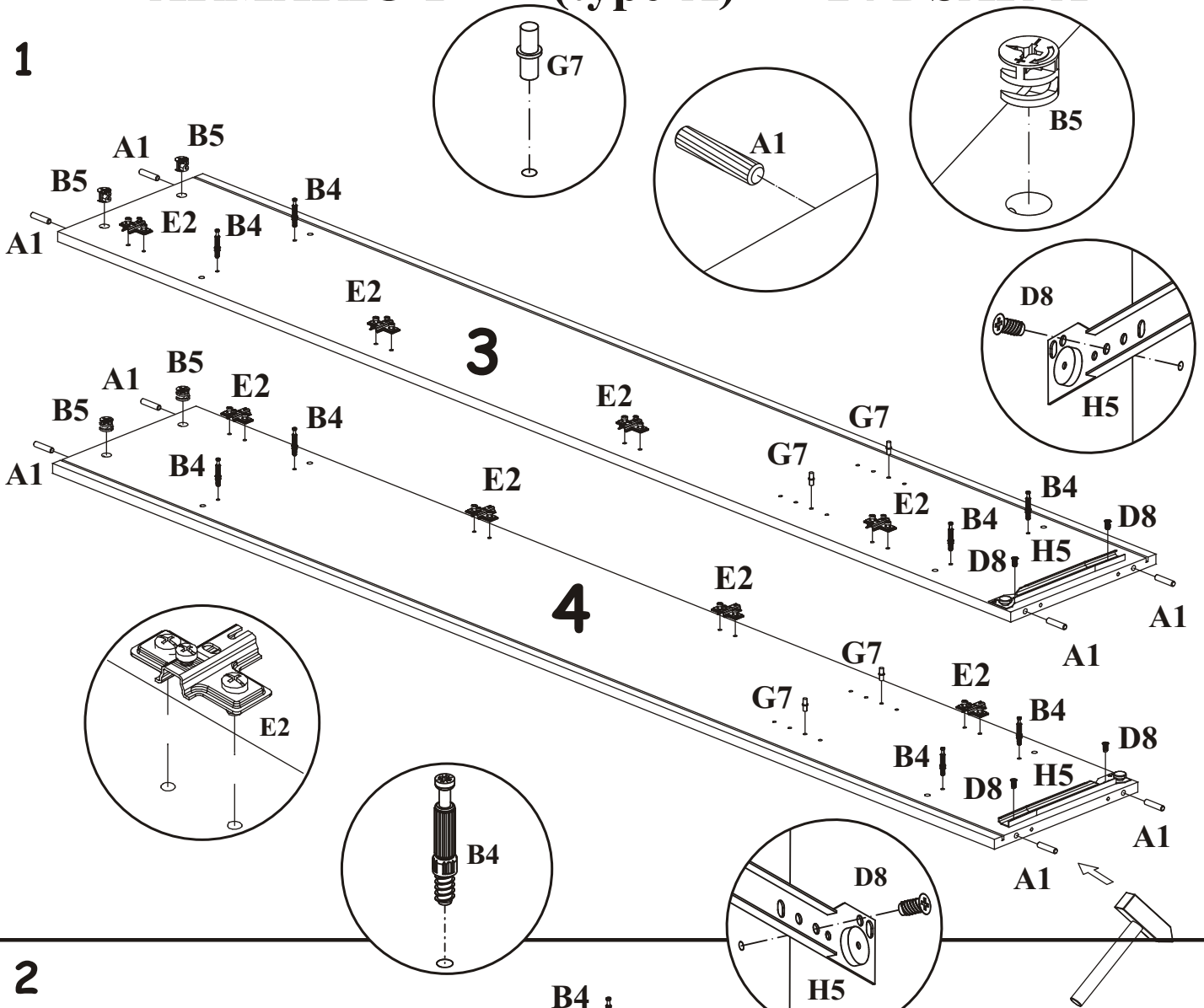


ARMARIO 1

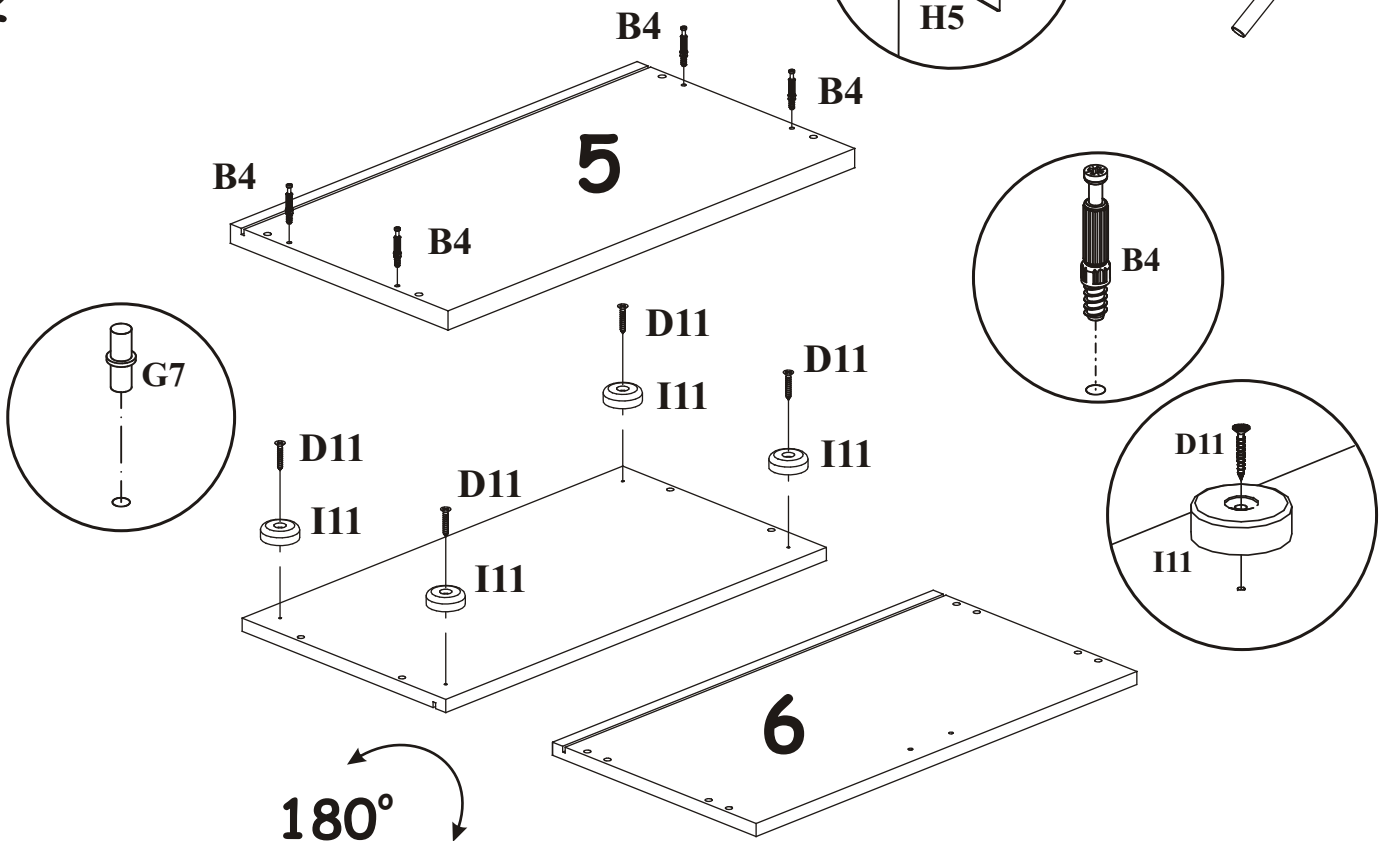
(type-A)

24 DSAR-A

1



2

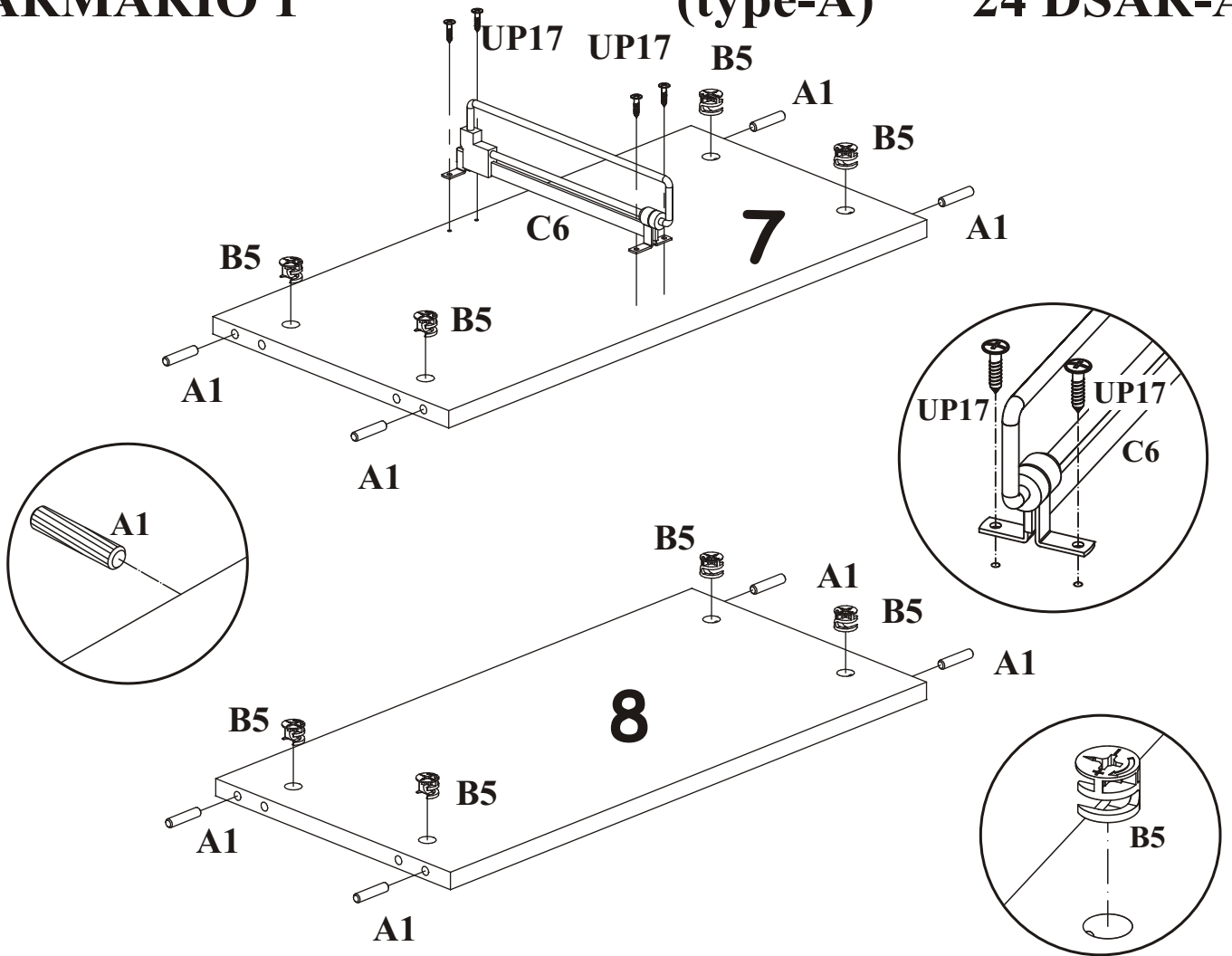


ARMARIO 1

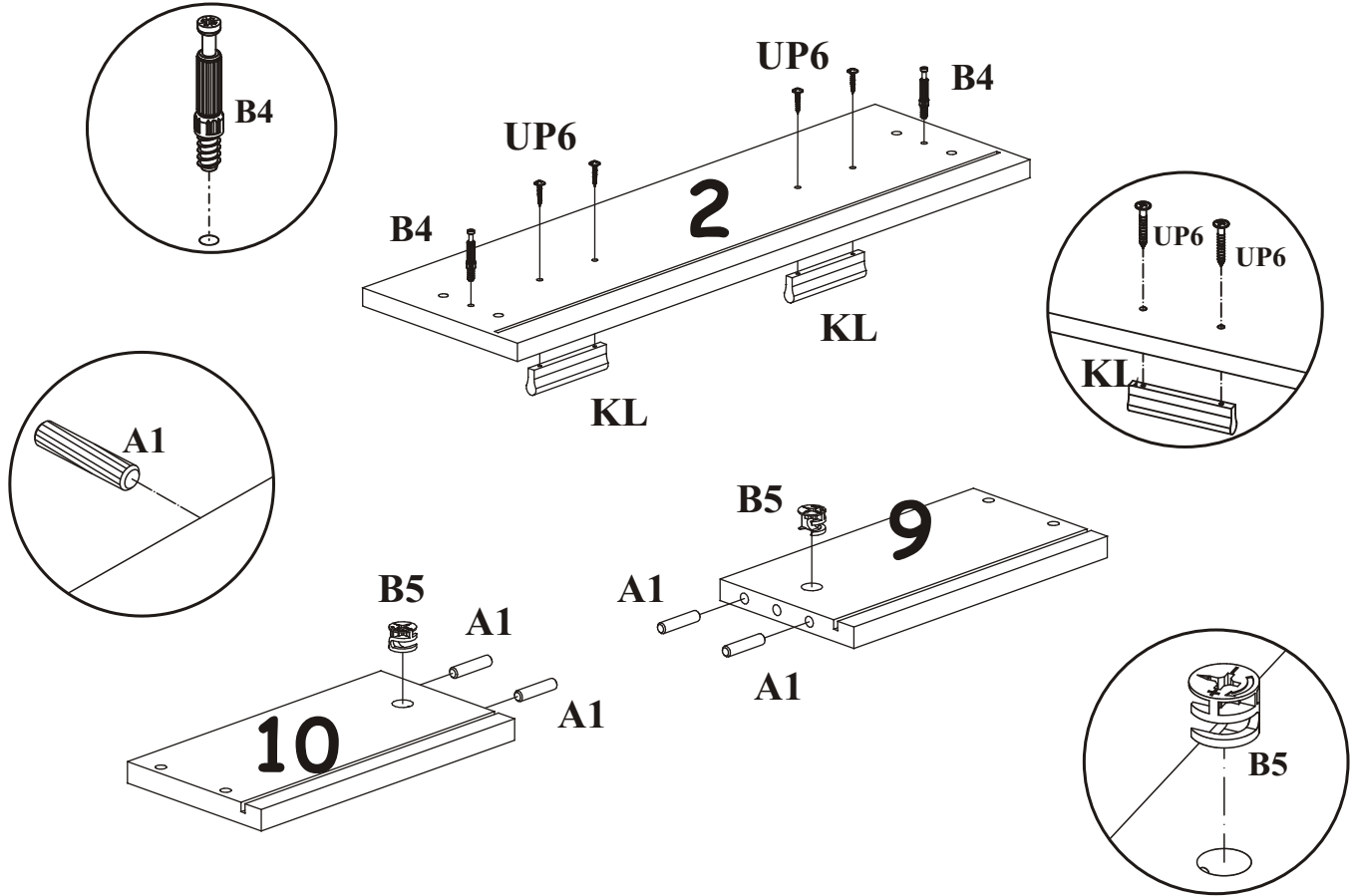
(type-A)

24 DSAR-A

3



4

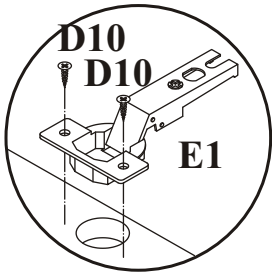
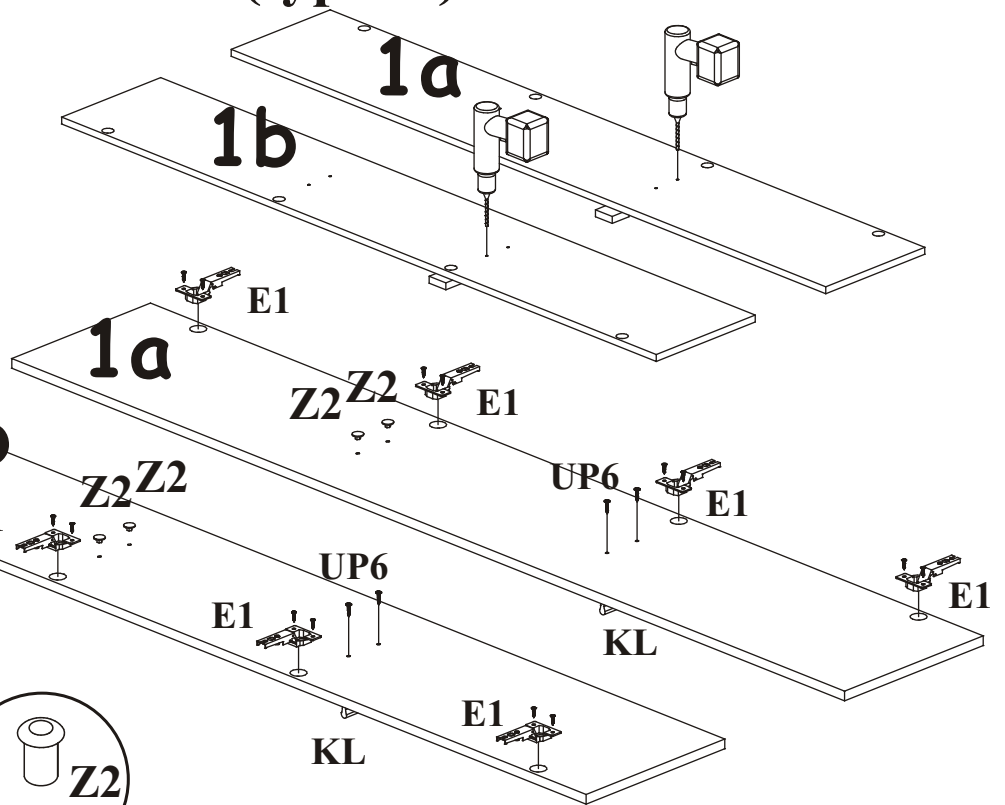
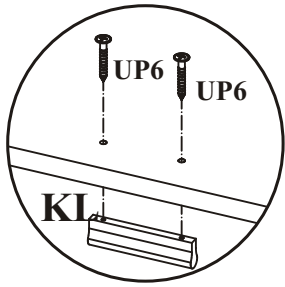


ARMARIO 1

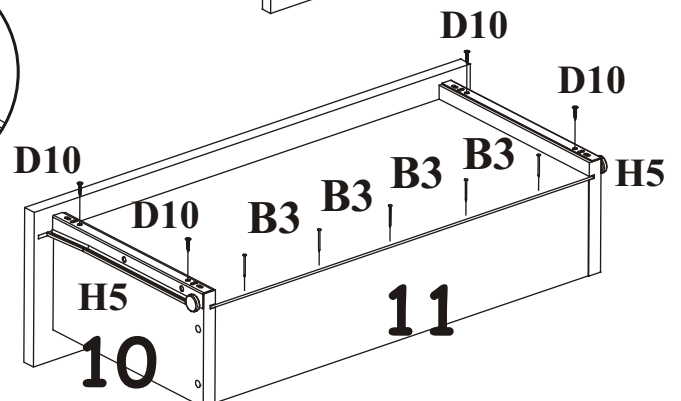
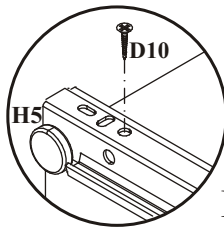
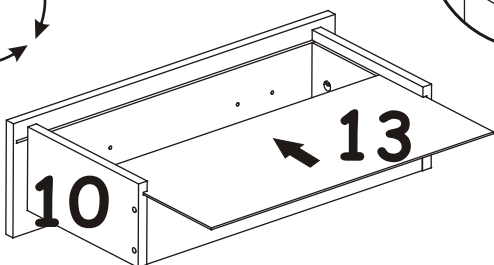
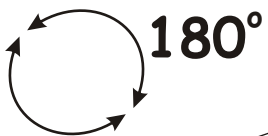
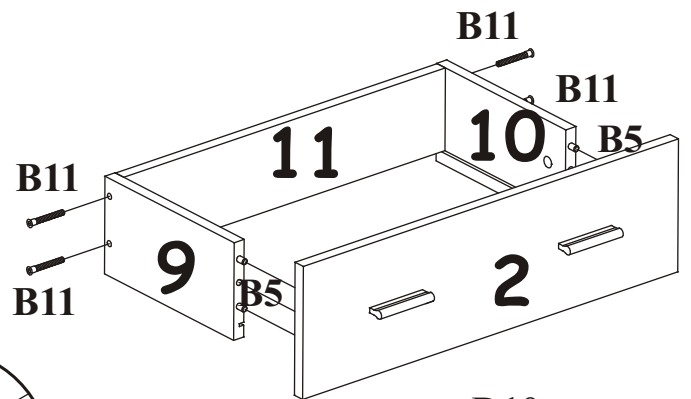
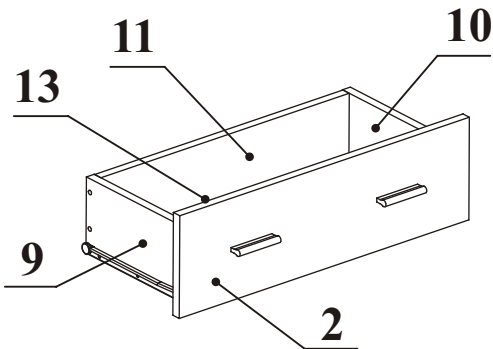
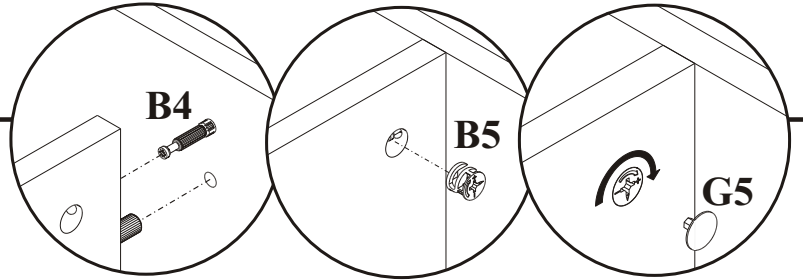
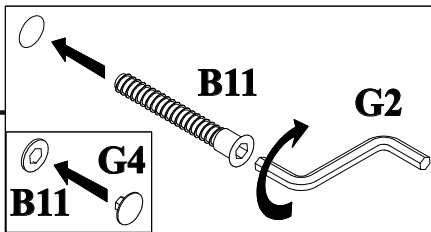
(type-A)

24 DSAR-A

5

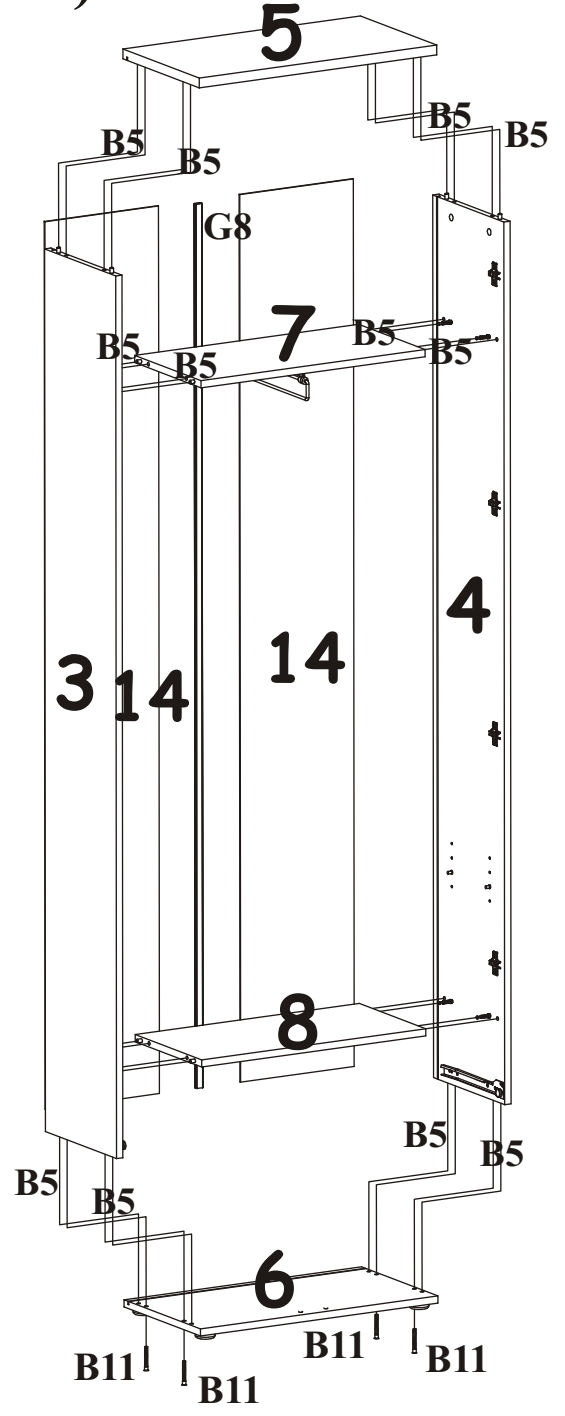
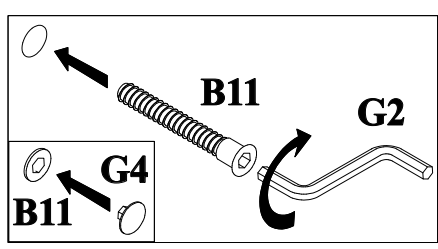
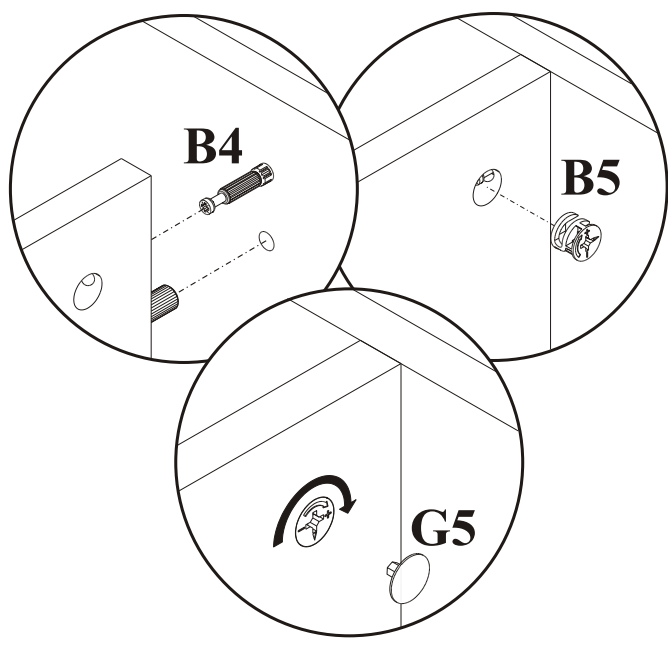


6

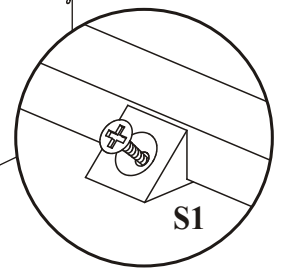
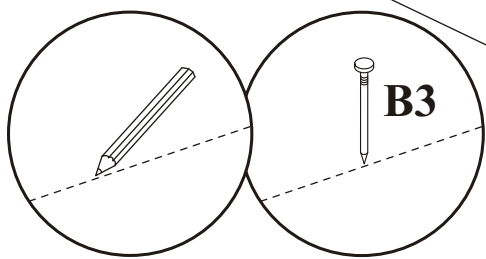
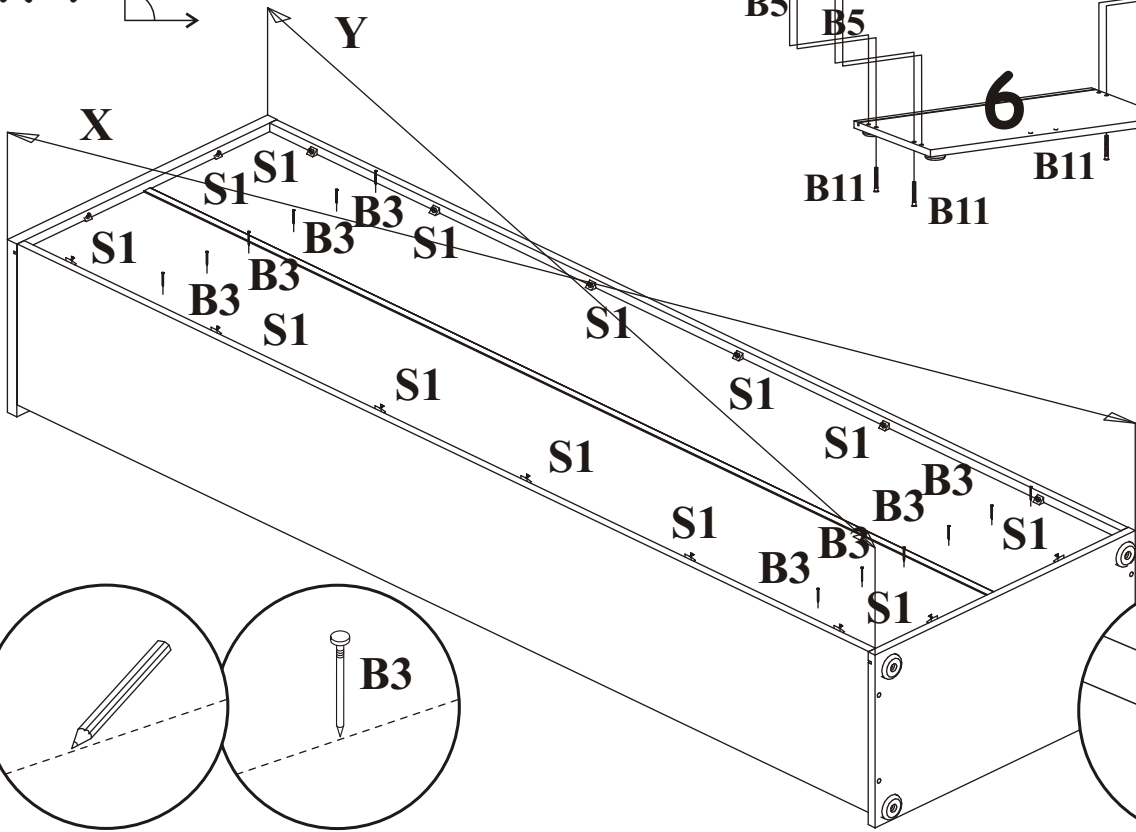


ARMARIO 1 (type-A) 24 DSAR-A

7



$X=Y$ 90°

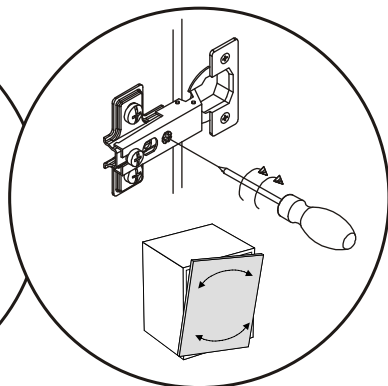
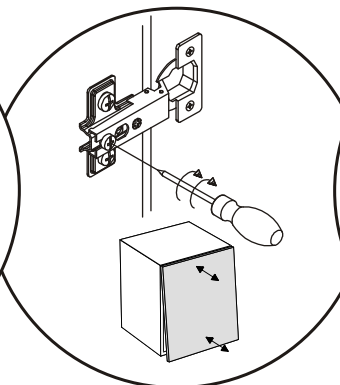
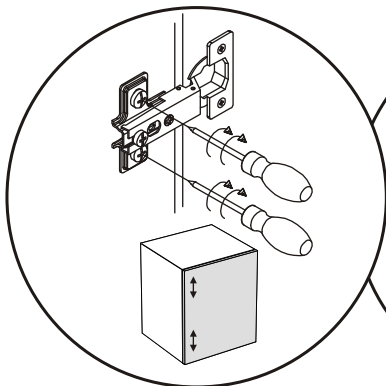
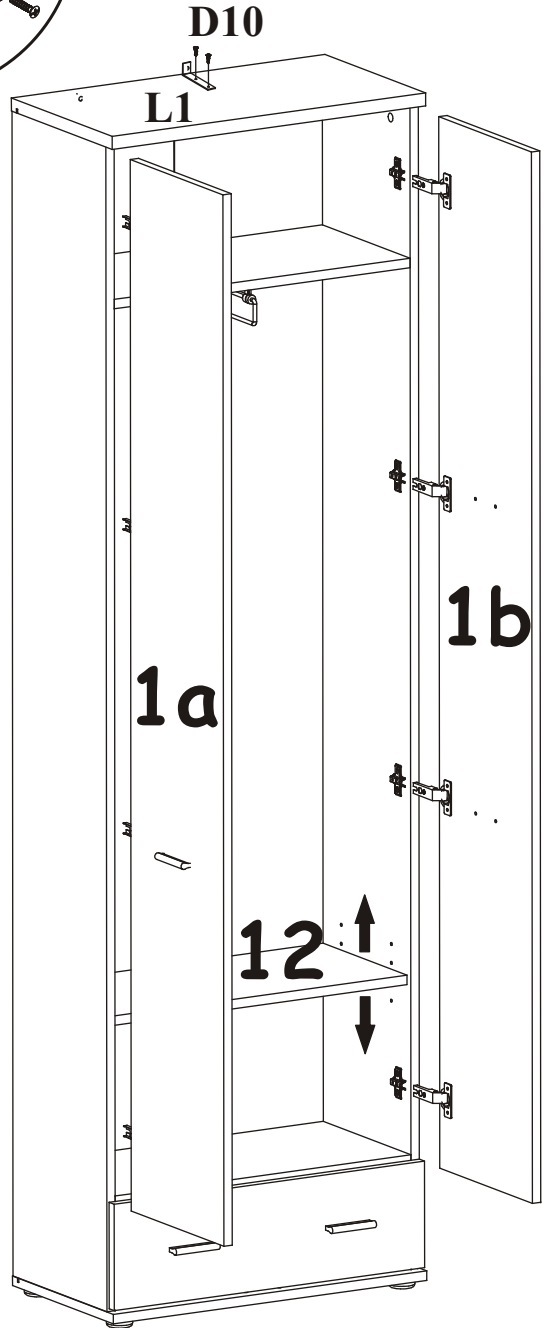
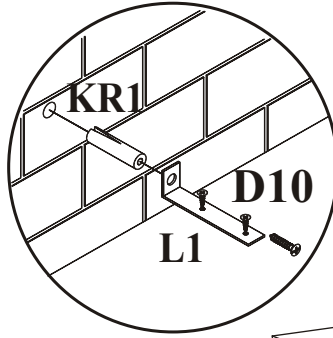
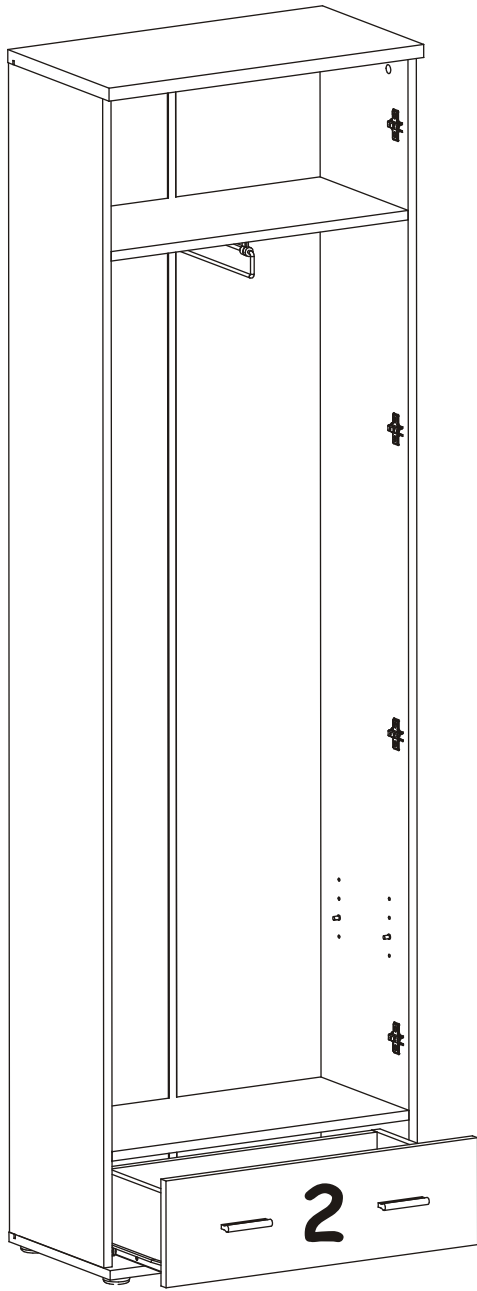


ARMARIO 1

(type-A)

24 DSAR-A

8

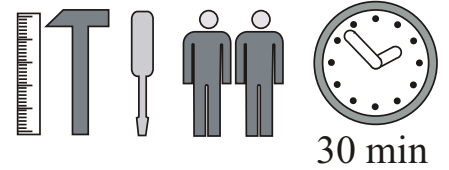
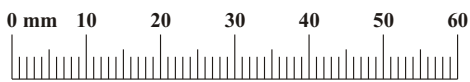
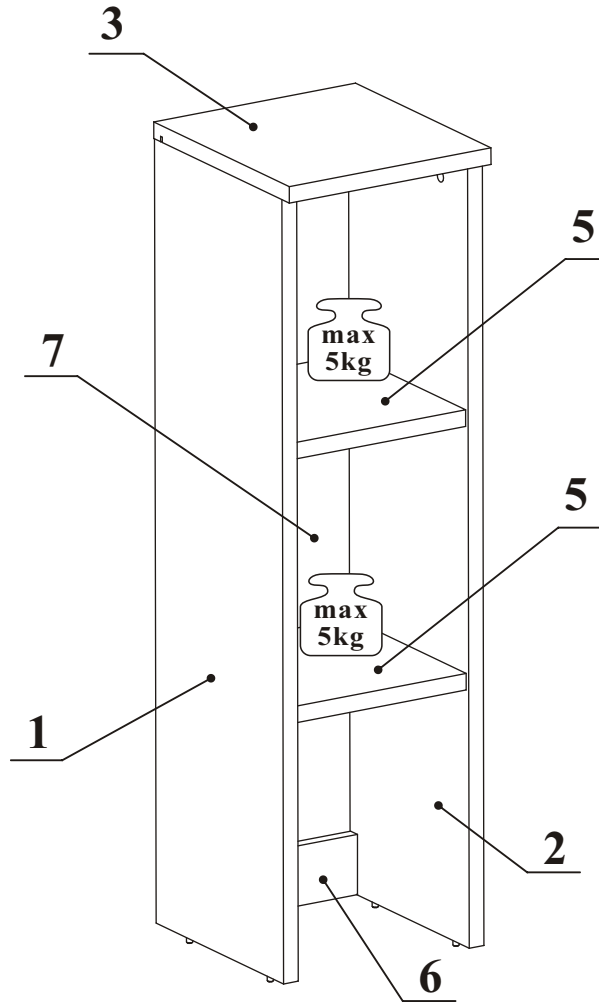
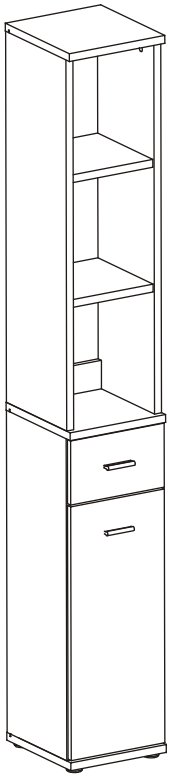


2

ARMARIO 1

(type-C)

24 DSAR-C



D10		G2	
X2	USØ3,5x13	X1	

A1		B4	
X10	ø8x36	X6	

B5	
X2	ø15x12

B16	
X4	Ø15x16

G5	
X6	

G7	
X8	

MG3	
X1	

UP17	
X2	UPØ3x16

D9	
X4	USØ3x20

L1	
X1	

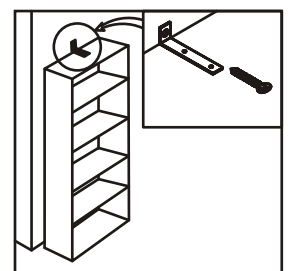
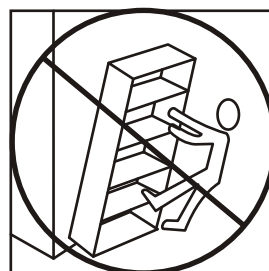
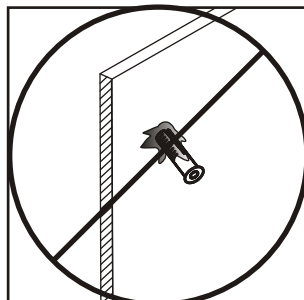
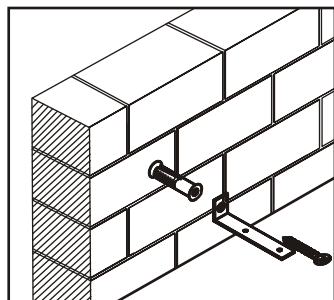
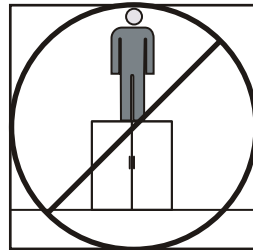
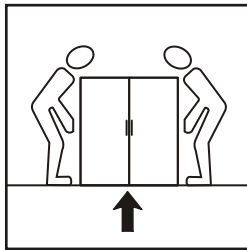
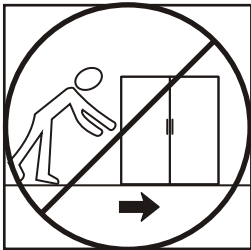
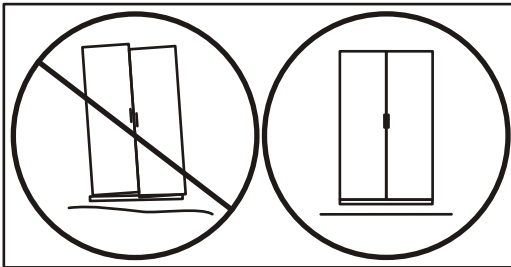
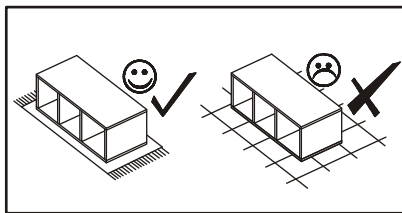
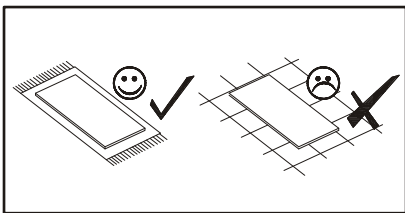
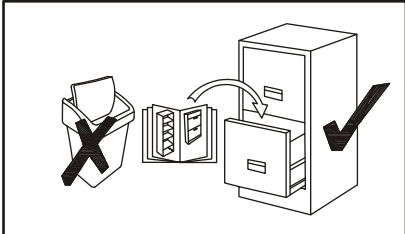
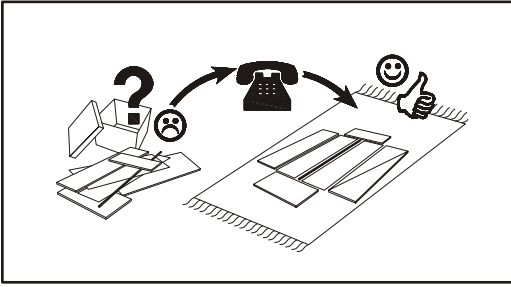
KR1	
X1	

S1	
X7	

ARMARIO 1

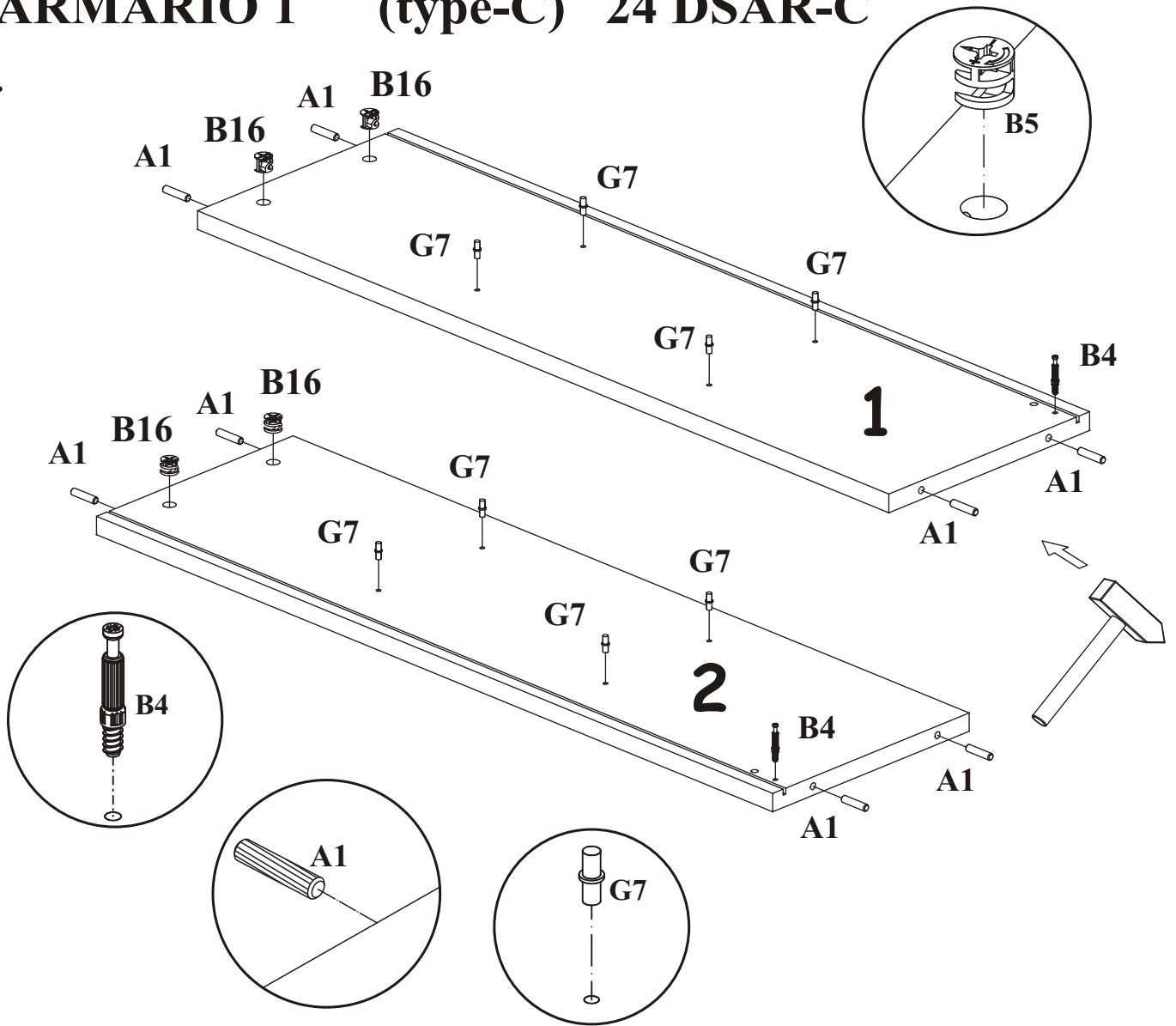
(type-C)

24 DSAR-C

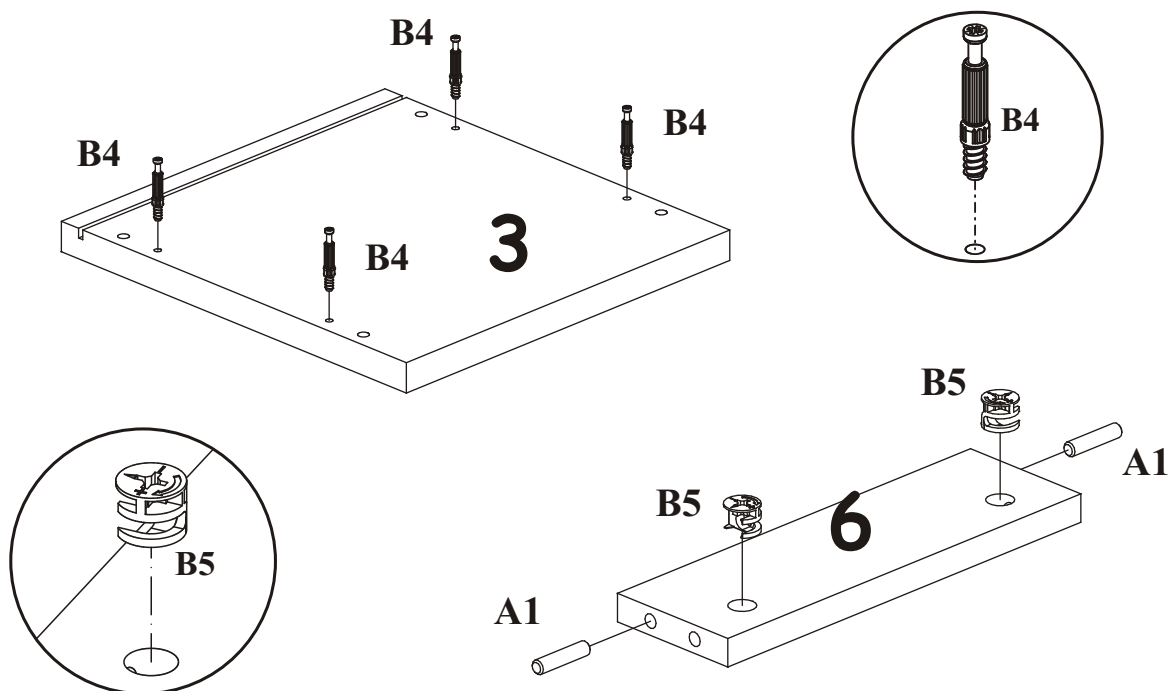


ARMARIO 1 (type-C) 24 DSAR-C

1

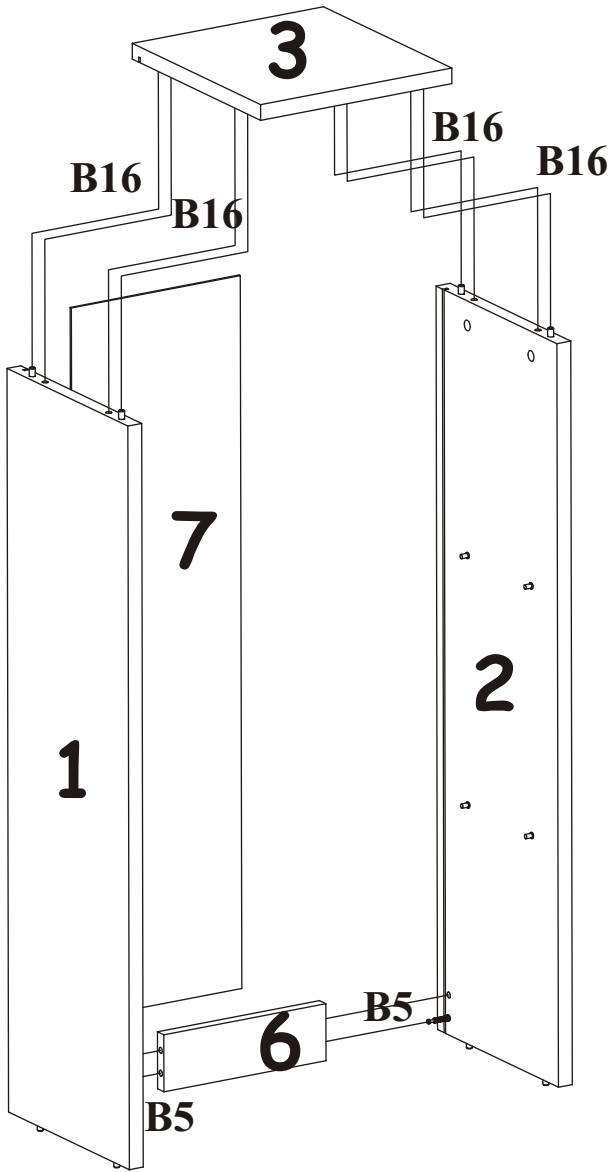


2



ARMARIO 1

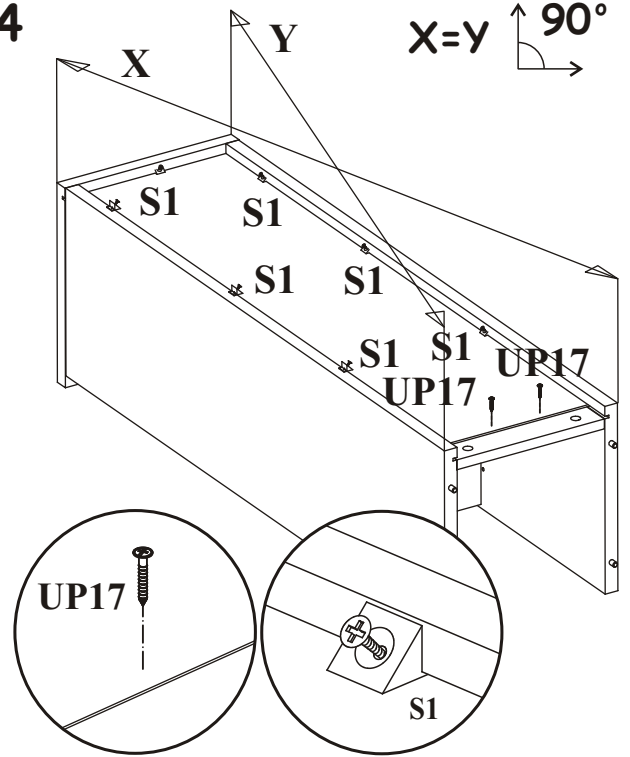
3



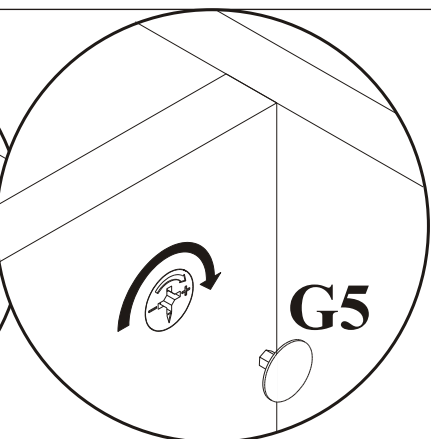
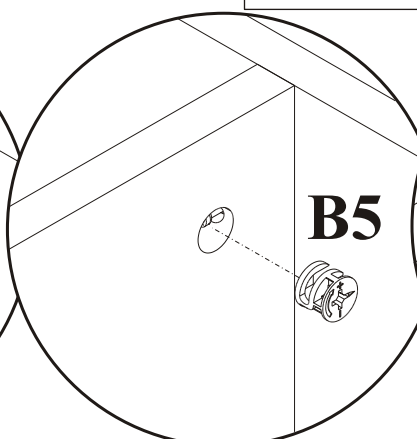
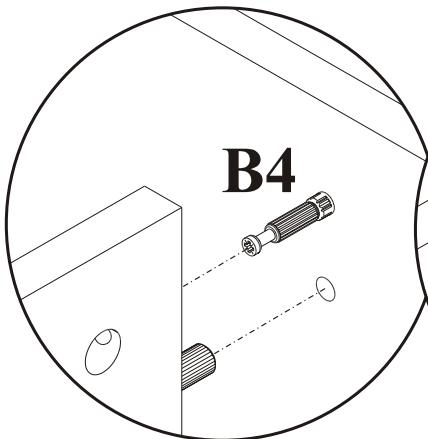
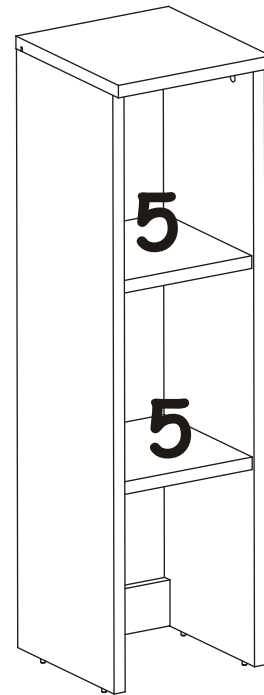
(type-C)

24 DSAR-C

4



5



ARMARIO 1

(type-C)

24 DSAR-C

6

