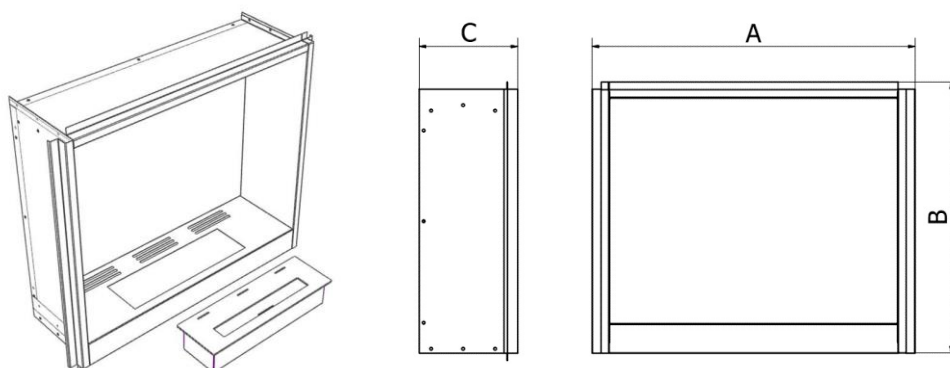


Installation of INSERT 23 / INSERT 18 / INSERT 17 insert/burner

The equipment should be installed by an installation technician holding appropriate licenses. Before installation, check the specifications described in the section "Important safety recommendations" in order to determine whether the room intended for installation is suitable for using the equipment.

After placing the equipment in an appropriate location, you need to install the bio-fuel container in the equipment. Never place a full bio- fuel container since you can inadvertently spill the fuel onto parts of the units or in its vicinity.



Parameters and dimensions of INSERT 23 / INSERT 18 / INSERT 17 insert/burner

NAME	INSERT 23 Insert	INSERT 18 Insert	INSERT 17 Insert
A [mm]	608	496	485
B [mm]	516	600	424
C [mm]	185	164	150

Accessories (included in the set):

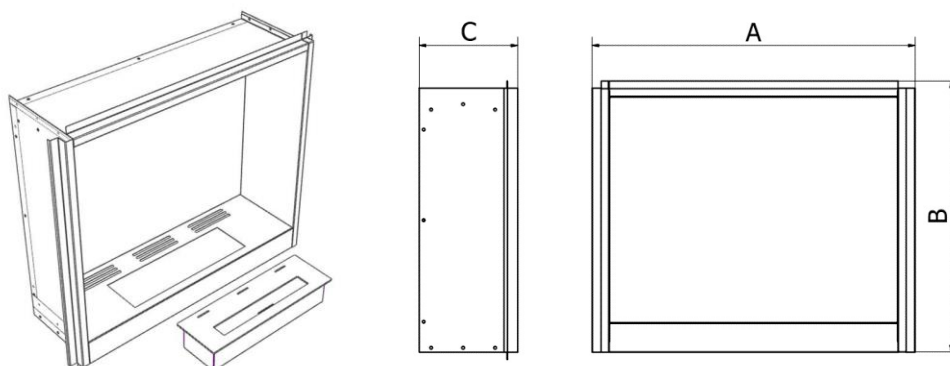
Bio fireplace type	INSERT 23	INSERT 18	INSERT 17
Burner	✓	✓	✓
Flame regulator	✓	✓	✓
Flame extinguisher	✓	✓	✓
Funnel	✓	✓	✓



AVEKO Sp. z o.o. sp. k.
ul. Dębowa 2
84-207 Łężyce
tel. +48 535 222 550
www.aflamo.pl

Montaż wkładu/palnika INSERT 23 / INSERT 18 / INSERT 17

Montaż urządzenia powinien zostać przeprowadzony przez instalatora posiadającego stosowne uprawnienia. Przed montażem należy sprawdzić specyfikacje opisane w dziale „Ważne wskazówki dotyczące bezpieczeństwa” w celu ustalenia, czy pomieszczenie przewidziane do montażu nadaje się do użytkowania urządzenia. Po umieszczeniu urządzenia w odpowiednim miejscu, należy zainstalować w nim pojemnik na biopaliwo. Nigdy nie należy umieszczać napełnionego pojemnika na biopaliwo, ponieważ można nieopatrnie wylać paliwo na części urządzenia lub jego otoczenie.



Parametry i wymiary wkładu/palnika INSERT 23 / INSERT 18 / INSERT 17

NAZWA	INSERT 23 WKŁAD	INSERT 18 WKŁAD	INSERT 17 WKŁAD
A [mm]	608	496	485
B [mm]	516	600	424
C [mm]	185	164	150

Wyposażenie (zawartość zestawu) :

Typ biokominka	INSERT 23	INSERT 18	INSERT 17
Palnik	✓	✓	✓
Element regulujący płomień	✓	✓	✓
Element zagaszający płomień	✓	✓	✓
Lejek	✓	✓	✓



AVEKO Sp. z o.o. sp. k.

ul. Dębowa 2

84-207 Łężyce

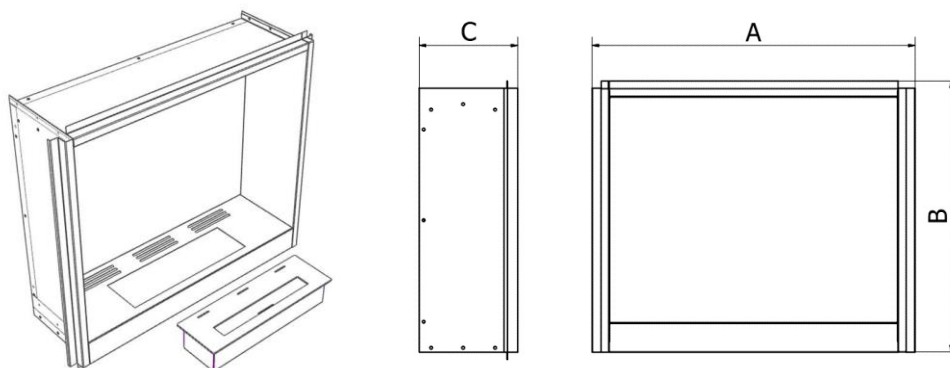
tel. +48 535 222 550

www.aflamo.com

Montage des Einsatzes/Brenners INSERT 23 / INSERT 18 / INSERT 17

Die Montage des Gerätes ist von einem Installateur mit entsprechendem Berechtigungsnachweis durchzuführen. Vor der Montage sind alle Hinweise in dem Abschnitt „Wichtige Sicherheitshinweise“ zu prüfen, um festzustellen, ob der Raum, in dem das Gerät montiert wird, für den Betrieb des Gerätes geeignet ist.

Nach der Aufstellung des Gerätes am geeigneten Ort wird innen ein Behälter für Biokraftstoff eingesetzt. Niemals einen gefüllten Behälter für Biokraftstoff in das Gerät einsetzen – das kann zum unbeabsichtigten Auslaufen des Kraftstoffs auf die Teile des Gerätes und seine Umgebung führen.



Parameter und Abmessungen des Einsatzes/Brenners INSERT 23 / INSERT 18 / INSERT 17

BEZEICHNUNG	INSERT 23 EINSATZ	INSERT 18 EINSATZ	INSERT 17 EINSATZ
A [mm]	608	496	485
B [mm]	516	600	424
C [mm]	185	164	150

Ausstattung (Lieferumfang) :

Typ des Biokamins	INSERT 23	INSERT 18	INSERT 17
Brenner	✓	✓	✓
Element zur Regulierung der Flamme	✓	✓	✓
Element zum Erlöschen der Flamme	✓	✓	✓
Trichter	✓	✓	✓

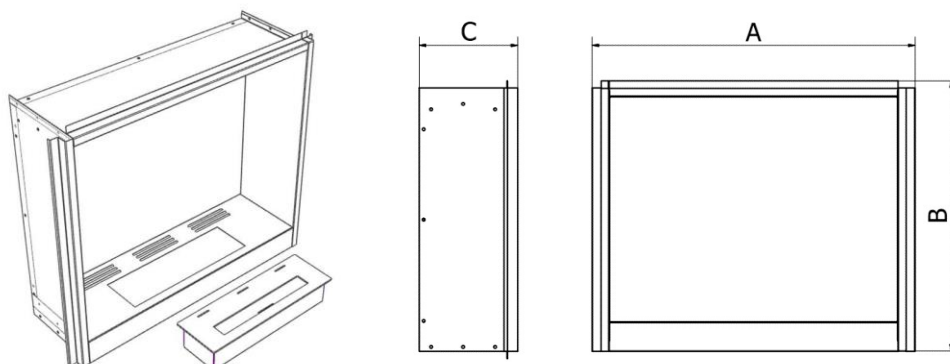


AVEKO Sp. z o.o. sp. k.
ul. Dębowa 2
84-207 Łężyce
tel. +48 535 222 550
www.aflamo.com

Montage de l'insert / brûleur INSERT 23 / INSERT 18 / INSERT 17

L'installation de l'appareil doit être effectuée par un installateur avec une preuve d'autorisation appropriée. Avant l'installation, toutes les informations de la section «*Consignes de sécurité importantes*» doivent être vérifiées pour déterminer si la pièce dans laquelle l'appareil est installé est adaptée à l'exploitation de l'appareil.

Une fois l'appareil installé dans un endroit approprié, un conteneur pour biocarburant est inséré à l'intérieur. N'insérez jamais un récipient rempli de biocarburant dans l'appareil - cela peut entraîner une fuite involontaire de carburant sur des pièces de l'appareil et ses environs.



Paramètres et dimensions de l'insert / brûleur INSERT 23 / INSERT 18 / INSERT 17

LA DÉSIGNATION	INSERT 23 ENGAGEMENT	INSERT 18 ENGAGEMENT	INSERT 17 ENGAGEMENT
A [mm]	608	496	485
B [mm]	516	600	424
C [mm]	185	164	150

Équipement (contenu de la livraison):

Type de cheminée bio	INSERT 23	INSERT 18	INSERT 17
Brûleur	✓	✓	✓
Élément de régulation de la flamme	✓	✓	✓
Élément pour éteindre la flamme	✓	✓	✓
Entonnoir	✓	✓	✓



AVEKO Sp. z o.o. sp. k.

ul. Dębowa 2

84-207 Łężyce

tel. +48 535 222 550

www.aflamo.com



English	p. 2
Polski	s.6
Deutsch	S. 10
Français	p. 14

AVEKO Sp. z o.o. sp. k.

ul. Dębowa 2

84-207 Łężyce

tel. +48 535 222 550



Installation and Operational Manual

Suspended / free-standing / built-in bio-fireplaces



Carefully read the manual before you install and use the device



Bio-ethanol used in bio-fireplaces is not intended for consumption. Consumptions may cause health impairment or death.

Dear Customer, Thank you for your trust and for purchasing this bio-fireplace. Our products are designed and manufactured for your requirements regarding performance, appearance and quality, and combine a unique ease of use, safety and excellent efficiency. IMPORTANT! Read this manual before installing the device. This will allow you to use it in a safe and appropriate manner. Store the manual in case the device must be dismantled or installed in future. IMPORTANT! Check the device condition after unpacking. Do not install the device if it has been damaged in transport. Make sure that the device has been properly assembled and installed in accordance with this manual. Failure to observe the instructions may lead to serious injuries or damage to the device. Consult the manufacturer in case of any questions or doubts. Additional information is available on www.aflamo.com

IMPORTANT SAFETY GUIDELINES

NOTE! The device may only be used as intended and in the manner described in this manual. Failure to comply with these rules may lead to a fire or risk to the user's life or health.

- The device is only intended for decoration purposes and may not be used as the main source of interior heating. The manufacturer is not liable for any damage or injuries caused by improper use of the device.
- The device is not designed for continuous operation.
- Do not modify the device structure. Any attempt to tamper with the device structure may cause injuries or damage to the device. The manufacturer reserves the right to make changes which do not affect the device operation.

- Do not convey the device when it is in use. There is an immediate risk of fuel spillage and uncontrolled fire.
- The device and its components heat up during use. Once you extinguish the fire, wait for at least 30 minutes until the device cools down. Due to high temperature, you must avoid direct contact with the device.
- Maintain a safe distance to the activated device. The safe distance is 0.5 m.
- Never leave the activated device (fire) unattended. Children, animals and persons under the influence of alcohol or drugs should keep a safe distance to the device.
- Do not place any flammable materials inside or in immediate proximity of the device. The safe distance from the device to flammable materials is 0.5 m.
- The device must be used in a ventilated room with a cubic capacity exceeding 44 m³. Do not allow air draughts.

- The manufacturer reserves the right to make technical modifications to improve the device.
- The device is intended to burn only biofuel in the form of bio-ethanol, also called completely denatured ethyl alcohol. The bio-ethanol dedicated for the device is 96%.
- Before using the bio-ethanol, read the information provided on the label located on its packaging.
- Store bio-ethanol in a safe distance to the device (at least 3 m).
- To avoid self-ignition, bio-ethanol must be stored carefully closed, at room temperature and in a location not exposed to direct sunlight.
- Keep bio-ethanol away from children and animals.
- Avoid physical contact with bio-ethanol.
- Never smoke while refilling bio-ethanol or using the device.
- Never refill the biofuel while flame is burning inside the device or to the combustion tank if it has not cooled down.
- Use a funnel to refill bio-ethanol.
- Provide the room with a fire extinguisher or a ready-to-use fire blanket.

IMPORTANT! In case of fire due to failure to observe the safety rules, use a fire extinguisher intended to extinguish B fires, extinguishing foam, powder, carbon dioxide or halon. Do not extinguish fire with water. Fire can intensify if you pour water over burning alcohol. If the room is not supplied with firefighting equipment, use non-flammable materials by applying them to the burning equipment. This will restrict the access of oxygen and thus extinguish flames.

IMPORTANT INSTALLATION GUIDELINES:

- **Installation of suspended bio-fireplaces in surrounding structures should be performed in such a way that the device can be dismantled at any time without interfering in such structures.**
- The device is intended for indoor use.

- The device may be used outdoors (on terraces or balconies) once it is protected against adverse weather conditions (humidity, water and extremely low or high temperatures).
- The room should have an efficient ventilation system. Air change should take place at least once an hour. Do not leave the device activated in air draught or artificially feed the flames (do not blow on the flames)
- The device should be located in a room with a cubic capacity exceeding 44 m³, but you should always consider the room finishing materials and the equipment located in the room where the bio-fireplace is installed. Operation of several bio-fireplaces is possible if the heating power does not exceed 4.5 kW/h and there is additional ventilation
- The bio-fireplace should be suspended or founded on an even, stable and fire-resistant surface

- Maintain a safe distance to the floor when installing the suspended device. The minimum distance to the floor is 0.6 m.

- Maintain a safe distance to any objects located above the device and to its right or left
- The safe distance is 0.5m
- Any flammable objects must be kept away from the device
- The device must be set in vertical or horizontal position in such a way that the liquid is not spilled.

INITIAL OPERATION

Before using the device, check whether **it has been properly assembled**. Then open the combustion tank covers using the cover sliding handle and fill the tank with bio-ethanol up to 50% of its capacity. For burners without adjustment, bioethanol should be filled directly into the combustion openings. Before you start the device, make sure that the tanks are not overfilled above the maximum level indicator and that the device is not poured over with biofuel. Check the secondary combustion chamber in case the biofuel is spilled or poured over the burner. If any fuel excess is detected, the fuel tank must be drained. Any leakage or spillage of fuel must be eliminated before the device is fired up. Keep any biofuel bottles at least 3 m from the device. The device should preferably be started with a long match or extended-neck igniter. Remember to keep a safe distance from the tank. If bio-ethanol does not fire up, repeat the firing procedure until you obtain a stable flame. At the beginning, the flame will burn low. Wait for 10-15 minutes until the flame reaches an optimum temperature and height. With the handle, you can adjust the flame height by opening or closing the slidable covers of the combustion tank (this only applies to tanks with controllable flame height). Fire extinction consists in rhythmic closing of the slidable covers or covering the burner nozzles with the supplied extinguisher.

REFILLING AND FIRE EXTINCTION

● Never refill biofuel when the device is activated. Before refilling biofuel in the tank, allow the device to completely cool down for at least 30 minutes (**do not refill the liquid into the combustion tank when it is hot**). Refill the fuel tank (as indicated above) and fire up bio-ethanol as described in *"Initial operation"*. Do not attempt to pour water on the biofireplace. If possible, always allow the flame to extinct by itself. The flame should burn until the tank runs out of fuel. To extinguish the flames before the liquid burns out, rhythmically close the slidable covers or cover the burner nozzles using the supplied extinguisher. **NOTE! If the device is used frequently, bright discolouration may appear on the biofireplace's rear wall. Since the powder coat is continuously exposed to flames and high temperature, such discolouration is natural and does not have any adverse effect on the appearance and operation of the bio-fireplace. NOTE! If a fire occurred in case of taking all precautions, try to extinguish it with appropriate agents such as alcohol-resistant foam or carbon dioxide.** We recommend having a fire extinguisher nearby.

MAINTENANCE AND STORAGE

● **IMPORTANT!** Cleaning and maintenance activities may only be performed when the device has completely cooled down. The device and its accessories should be regularly cleaned. We recommend cleaning the casing components and tanks with a microfibre cloth dampened in non-caustic cleaning agents. Metallic components may be cleaned with a special preparation intended for stainless steel, and glass components should be cleaned with glass maintenance preparations. Observe the following guidelines to avoid damage to different types of surface. The following agents must not be used for cleaning: • Cleaning agents with a high alcohol content, including solvents, spirits or petrol • Caustic cleaning agents • Undiluted dishwashing liquids • High-pressure or steam washers • Cleaning agents containing abrasives • Rough sponges. If any strong detergents are applied on the device, remove them immediately with a damp cloth and then wipe the device dry. The absorbing insert used in the tanks is subject to wear and it should be replaced once every two years. Only use spare parts approved by the manufacturer. Wait until the device completely cools down before storing it. Make sure the device has completely cooled down before detaching it from the wall. Store the device in a clean and dry room. Store the biofuel in a fire-resistant, dry and dark room, at a temperature of +5 to +25 degrees Celsius.

WARRANTY

IMPORTANT! Once the device has been started, it may not be replaced or returned. The manufacturer is not liable for any damage caused by improper use of the device. Warranty claims under product non-conformity with the sale contract should be filed at the location where the device was purchased. **IMPORTANT! Installation of suspended biofireplaces in surrounding structures should be performed in such a way that the device can be dismantled at any time without interfering in such structures.** The manufacturer grants a warranty for its products on the conditions laid down herein.

1. The warranty period shall be 2 years from the date of purchase. For other promotional campaigns the warranty shall be subject to conditions arising from separate agreements.
2. The warranty shall be considered after the Complainant delivers the proof of sale and complaint report.
3. The complaint shall be considered within 14 business days from the date of written complaint.
4. A complaint may only be accepted under the conditions contained herein if the product is used as intended.

5. The Complainant may not choose the manner of satisfying their accepted warranty claims (gratuitous repair or replacement of the product, or withdrawal from the contract).

6. If the complaint is accepted, the warranty period shall be extended by the time of repair.

7. The Complainant should deliver a complete product along with necessary documents and packaging that allows for safe transport.

8. If the complaint is accepted, the cost of delivery shall be covered by the Warrantor. If the damage is not subject to warranty, the product shall be returned to the Complainant at their own cost.

9. The warranty shall not cover: • Damage reported after the warranty period • Products that have been repaired or modified by unauthorised persons • Damaged occurred by fault of the user • Damage resulting from environmental effects or improper maintenance or storage • Mechanical damage or damage resulting from the effects of foreign bodies • Normal wear and tear of operating parts with a finite useful life • Damage resulting from inappropriate transport of the product by the Complainant • **Slight discolouration at the rear wall of the bio-fireplace located behind the flame. Since the powder coat is continuously exposed to flame and high temperature, such discolouration is normal** • **Damage occurred in individual structures surrounding the device, if the device was installed in contrary to the "Important installation guidelines".**

These terms and conditions of warranty specify the Manufacturer's obligations under warranty and the scope of rights enjoyed by the Purchaser. This warranty shall not exclude, limit or suspend the Purchaser's rights under product nonconformity with the contract. To all matters not settled herein appropriate provisions of the Civil Code shall apply. Additional information is available on www.aflamo.com.

PICTOGRAMS



- do not refuel when the device is in operation



- read before the first use



- do not refuel if the device has not cooled down

AVEKO Sp. z o.o. sp. k.

ul. Dębowa 2

84-207 Łężyce

tel. +48 535 222 550

www.aflamo.com



Instrukcja instalacji i obsługi

Biokominki wiszące / wolnostojące / do zabudowy



Przed instalacją i użyciem urządzenia należy uważnie przeczytać instrukcję



Bioetanol używany w biokominkach nie jest przeznaczony do spożycia. Spożywanie grozi utratą zdrowia lub życia.

Szanowny Kliencie, dziękujemy za zaufanie i zakup biokominka. Nasze produkty zostały zaprojektowane i wykonane z myślą o bezpieczeństwie oraz wymaganiach użytkowych i jakościowych. **WAŻNE!** Przed przystąpieniem do montażu urządzenia należy zapoznać się z niniejszą instrukcją. Zapoznanie się z instrukcją pozwoli na bezpieczne i właściwe użytkowanie urządzenia. Instrukcję należy zachować na wypadek demontażu/montażu urządzenia w przyszłości. **WAŻNE!** Po rozpakowaniu urządzenia należy sprawdzić jego stan. Nie należy instalować urządzenia, które zostało uszkodzone podczas transportu. Należy upewnić się, czy urządzenie zostało prawidłowo złożone oraz zainstalowane zgodnie z niniejszą instrukcją. Nieprzestrzeganie instrukcji może skutkować poważnymi uszkodzeniami ciała oraz urządzenia. W przypadku jakichkolwiek pytań i wątpliwości należy zasięgnąć porady u producenta. Dodatkowe informacje dostępne są pod adresem internetowym www.aflamo.pl

WAŻNE WSKAZÓWKI DOTYCZĄCE BEZPIECZEŃSTWA

UWAGA! Z urządzenia należy korzystać zgodnie z jego przeznaczeniem oraz w sposób opisany w niniejszej instrukcji. Nieprzestrzeganie wymienionych zasad może skutkować pożarem oraz narażeniem zdrowia i życia użytkownika.

- Urządzenie przeznaczone jest wyłącznie do celów dekoracyjnych oraz nie może być używane jako główne źródło ogrzewania pomieszczeń. Producent nie ponosi odpowiedzialności za szkody i obrażenia spowodowane niewłaściwym użytkowaniem urządzenia.
- Urządzenie nie jest przystosowane do ciągłego działania.
- Zabrania się wprowadzania zmian w konstrukcji urządzenia. Wszelkie próby ingerencji w konstrukcję mogą spowodować uszkodzenia ciała i urządzenia. Producent zastrzega sobie prawo do dokonywania zmian, które nie wpłyną na działanie urządzenia.

- Zabrania się przenoszenia urządzenia podczas użytkowania. Istnieje bezpośrednie ryzyko rozlania biopaliwa i spowodowania niekontrolowanego ognia.
- Urządzenie i jego elementy nagrzewają się podczas użytkowania. Po wygaszeniu należy odczekać co najmniej 30 minut do ostygnięcia urządzenia. Z uwagi na wysoką temperaturę należy unikać bezpośredniego kontaktu z urządzeniem.
- Należy zachować bezpieczny dystans od uruchomionego urządzenia. Bezpieczna odległość wynosi 0,5 m.
- Nigdy nie należy pozostawiać uruchomionego urządzenia (ognia) bez nadzoru. Dzieci, zwierzęta oraz osoby będące pod wpływem alkoholu lub środków odurzających powinny zachować bezpieczną odległość od urządzenia.
- Zabrania się umieszczania na urządzeniu lub w jego bliskiej odległości materiałów łatwopalnych. Bezpieczna odległość urządzenia od materiałów łatwopalnych wynosi 0,5 m.
- Urządzenie należy używać w pomieszczeniu posiadającym kubaturę większą niż 44 m³ oraz wentylację. Nie należy dopuszczać do przeciągów.

- Producent zastrzega sobie możliwość dokonywania zmian technicznych w celu ulepszania urządzenia.
- Urządzenie przystosowane jest do spalania wyłącznie biopaliwa w postaci bioetanolu, czyli inaczej alkoholu etylowego całkowicie skażonego. Dedykowany bioetanol do zakupionego urządzenia to bioetanol 96 %.
- Przed użyciem należy zapoznać się z informacjami zawartymi na etykiecie znajdującej się na opakowaniu bioetanolu.
- Bioetanol należy przechowywać w bezpiecznej odległości co najmniej 3 m od urządzenia.
- Aby uniknąć samozapłonu bioetanolu należy przechowywać dokładnie zamknięty w temperaturze pokojowej, nie narażając na bezpośrednie działanie promieni słonecznych.

- Bioetanol należy przechowywać z dala od dzieci i zwierząt.
- Unikać fizycznego kontaktu z bioetanolem.
- Nigdy nie należy palić tytoniu w czasie uzupełniania bioetanolu oraz korzystania z urządzenia.
- Nigdy nie należy dolewać biopaliwa: podczas palenia płomienia w urządzeniu lub do pojemnika spalania, który nie uległ ostygnięciu.

- Do uzupełniania bioetanolu należy używać lejka.
- Należy wyposażyć pomieszczenie w gaśnicę lub koc gaśniczy gotowy do użycia. **WAŻNE!** W przypadku powstania pożaru, na skutek nieprzestrzegania zasad bezpieczeństwa, należy użyć gaśnicy przeznaczonej do gaszenia pożarów typu B, piany gaśniczej, proszku gaśniczego, dwutlenku węgla lub halonu. Nie należy gasić urządzenia za pomocą wody. Dolanie wody do płonącego alkoholu może nasilić pożar. Jeżeli pomieszczenie nie jest wyposażone w sprzęt gaśniczy należy użyć materiałów niepalnych, nakładając je na płonące urządzenie. Spowoduje to ograniczenie dostępu tlenu, a tym samym wygaszenie płomieni.

WAŻNE WSKAZÓWKI DOTYCZĄCE INSTALACJI:

Montaż biokominków wiszących w zabudowie musi zostać przeprowadzony w taki sposób, aby zawsze była możliwość demontażu urządzenia bez ingerencji w zabudowę

- Urządzenie przeznaczone jest do użytku w zamkniętych pomieszczeniach.
- Urządzenie można stosować na zewnątrz (na tarasach, balkonach) po zabezpieczeniu przed niekorzystnymi warunkami atmosferycznymi (wilgocią, wodą oraz niskimi lub bardzo wysokimi temperaturami).
- Pomieszczenie powinno posiadać sprawny

system wentylacji. Wymiana powietrza powinna być przeprowadzana co najmniej raz na godzinę. Włączonego urządzenia nie należy pozostawiać w przeciągu oraz nie należy sztucznie podsycać ognia (nie należy dmuchać na ogień) • Urządzenie powinno znajdować się w pomieszczeniu o kubaturze większej niż 44 m³, przy czym zawsze należy mieć na uwadze materiały z jakich wykończono pomieszczenie oraz urządzenia, jakie znajdują się w pomieszczeniu z zainstalowanym biokominkiem. Możliwe jest działanie kilku biokominków, jeśli moc grzewcza jest równa lub niższa niż 4,5 kW/h i została zapewniona dodatkowa wentylacja • Do zawieszenia lub postawienia biokominka należy przygotować równą, stabilną i ognioodporną powierzchnię • Podczas montażu urządzenia wiszącego należy zachować bezpieczną odległość od podłogi. Minimalna odległość wynosi 0,6 m • Należy zachować bezpieczną odległość od przedmiotów znajdujących się nad urządzeniem oraz po jego prawej i lewej stronie. Bezpieczna odległość wynosi 0,5m • Przedmioty łatwopalne należy umieszczać z dala od urządzenia • Urządzenie należy ustawić w pionie i poziomie tak, aby płyn nie uległ wylaniu.

ROZPOCZĘCIE PRACY URZĄDZENIA

Przed rozpoczęciem korzystania z urządzenia należy sprawdzić czy urządzenie zostało prawidłowo złożone. Następnie należy otworzyć pokrywę pojemnika spalania, używając uchwytu do przesuwania pokryw i napełnić pojemnik bioetanolem maksymalnie do 50% pojemności pojemnika. W przypadku palników bez regulacji bioetanol należy nalać bezpośrednio do otworów spalania. Przed uruchomieniem urządzenia należy upewnić się, czy pojemniki nie są przepełnione ponad wskaźnik maksymalnego poziomu napełnienia, a urządzenie nie zostało polane biopaliwem. W przypadku przelania lub polania palnika biopaliwem należy sprawdzić wtórną komorę paliwa. W przypadku wykrycia nadmiaru paliwa zbiornik musi zostać opróżniony. Jakikolwiek wyciek czy rozlanie paliwa musi zostać usunięte przed rozpaleniem urządzenia. Butelki z biopaliwem należy pozostawić w odległości co najmniej 3 m od urządzenia. Do odpalenia urządzenia najlepiej użyć długą zapałkę lub zapalarkę z wydłużoną szyjką. Należy pamiętać o zachowaniu bezpiecznej odległości od pojemnika. W przypadku, gdy bioetanol się nie zapali, należy powtórzyć proces zapalania do momentu, aż powstanie stabilny płomień. Na początku płomień będzie palił się nisko. Należy odczekać 10-15 minut do momentu, aż płomień osiągnie optymalną temperaturę i wysokość. Za pomocą uchwytu można regulować wysokość płomienia przez otwieranie bądź zamykanie przesuwanych pokryw pojemnika spalania (dot. tylko pojemników z regulacją wysokości płomienia). Zagaszanie polega na rytmicznym zamykaniu przesuwanych pokryw lub zasłonięciu dysz palnika za pomocą dołączonej zagaszarki.

PONOWNE NAPEŁNIANIE I WYGASZANIE

Nigdy nie należy dolewać biopaliwa, gdy urządzenie jest uruchomione. Przed uzupełnieniem biopaliwa w zbiorniku należy pozwolić na całkowite ostudzenie urządzenia przez co najmniej 30 minut (**nie należy dolewać płynu do gorącego pojemnika spalania**). Pojemnik na paliwo należy napełnić ponownie (kroki z instrukcji powyżej) oraz zapalić bioetanol w taki sposób, jak opisano to w dziale „*Rozpoczęcie pracy urządzenia*”. Nigdy nie należy próbować polewać biokominka wodą. Jeśli jest to możliwe, należy pozwolić na to, aby płomień wypalił się sam. Płomień powinien palić się tak długo, aż wypali się całe paliwo. Aby zgasić płomień, zanim wypali się płyn, należy rytmicznym ruchem zamknąć przesuwne pokrywy lub zasłonić dysze palnika za pomocą dołączonej zagaszarki. **UWAGA! Przy częstej eksploatacji urządzenia mogą się pojawiać jaśniejsze odbarwienia na tylnej ścianie biokominka. Ze względu na długotrwałe narażenie farby proszkowej na działanie płomienia i dużej temperatury odbarwienia te są sprawą naturalną nie wpływającą negatywnie na wygląd i użytkowanie biokominka. UWAGA!** Jeśli w przypadku podjęcia wszystkich działań bezpieczeństwa doszło do pożaru, należy podjąć próbę ugасzenia odpowiednimi środkami, np.: pianą odporną na alkohol oraz dwutlenkiem węgla.

KONSERWACJA I PRZECHOWYWANIE

WAŻNE! Czynności czyszczenia i konserwacji należy wykonywać po całkowitym ostudzeniu urządzenia. Urządzenie oraz pozostałe akcesoria powinny być regularnie czyszczone. Elementy obudowy oraz pojemniki zaleca się czyścić wilgotną ściereczką z mikrofibry z dodatkiem nieżrących środków czystości. Elementy metalowe mogą być czyszczone specjalnym preparatem przeznaczonym do stali nierdzewnej, natomiast elementy szklane należy czyścić preparatami do pielęgnacji szkła. Aby uniknąć uszkodzenia różnego rodzaju powierzchni należy przestrzegać poniższych wskazówek. Do czyszczenia nie należy używać: • Środków czyszczących o dużej zawartości alkoholu, w tym rozpuszczalników, spirytusu czy benzyny • Żrących środków czyszczących. • Nierozcieńczonych płynów do mycia naczyń • Myjek wysokociśnieniowych lub parowych • Środków czyszczących zawierających materiały ściernie • Szorstkich gąbek. W przypadku rozprowadzenia na urządzeniu silnych detergentów należy natychmiast je usunąć za pomocą wilgotnej ściereczki, a następnie wytrzeć urządzenie do sucha. Wkład absorbujący stosowany w pojemnikach ulega zużyciu i należy go wymieniać raz na dwa lata. Wszelkiego typu części zamienne należy stosować wyłącznie po zatwierdzeniu ich u producenta. Przed przechowywaniem produktu należy pozwolić na całkowite ostudzenie urządzenia. Przy demontażu urządzenia ze ściany należy pamiętać o całkowitym ostudzeniu urządzenia. Urządzenie należy przechowywać w czystym i suchym miejscu. Biopaliwo należy przechowywać w ognioodpornym oraz suchym i ciemnym pomieszczeniu, w temperaturze od 5 do 25 °C.

GWARANCJA

WAŻNE! Urządzenie, które zostało uruchomione, jest wyłączone z prawa do wymiany lub zwrotu. Producent nie odpowiada za jakiegokolwiek uszkodzenia spowodowane niewłaściwym użytkowaniem urządzenia. Zgłoszenia reklamacyjne z tytułu niezgodności towaru z umową sprzedaży powinny być dokonane w miejscu zakupu urządzenia. **WAŻNE! Montaż biokominków wiszących w zabudowie musi zostać przeprowadzony w taki sposób, aby zawsze była możliwość demontażu urządzenia bez ingerencji w zabudowę.** Producent udziela gwarancji na oferowane produkty na zasadach określonych niniejszym dokumentem:

1. Termin udzielonej gwarancji wynosi 2 lata od dnia zakupu produktu. W przypadku innych akcji promocyjnych — na warunkach wynikających z odrębnych dokumentów.
2. Gwarancja zostanie rozpatrzona po dostarczeniu przez Reklamującego dokumentu sprzedaży oraz protokołu reklamacyjnego.
3. Rozpatrzenie reklamacji zostanie dokonane w okresie do 14 dni roboczych od daty pisemnego złożenia reklamacji.
4. Warunkiem uznania gwarancji na zasadach wynikających z niniejszego dokumentu jest użytkowanie produktu zgodnie z niniejszą instrukcją.
5. Reklamującemu przysługuje uprawnienie do wyboru sposobu zaspokojenia uznanych roszczeń gwarancyjnych (nieodpłatna naprawa, wymiana produktu na nowy lub odstąpienie od umowy).
6. W przypadku uznania reklamacji okres gwarancji ulega przedłużeniu o czas trwania naprawy.
7. Reklamujący powinien dostarczyć kompletny produkt wraz z niezbędnymi dokumentami w opakowaniu umożliwiającym bezpieczny transport.
8. W przypadku uznania reklamacji koszt dostarczenia wyrobu ponosi Gwarant. Jeśli uszkodzenia nie podlegają gwarancji towar zostanie odesłany do Reklamującego na jego koszt.
9. Gwarancja nie obejmuje: • Uszkodzeń zgłoszonych po okresie gwarancyjnym; • Produktów naprawianych lub przerabianych przez osoby nieuprawnione; • Uszkodzeń powstałych z winy użytkownika; • Uszkodzeń wynikłych z wpływu otoczenia i niewłaściwej konserwacji i przechowywania urządzenia; • Uszkodzeń mechanicznych oraz wynikłych z wpływu ciał obcych; • Normalnego zużycia części związanych z eksploatacją urządzenia o swojej skończonej trwałości; • Uszkodzeń powstałych przez niewłaściwy transport produktu wykonany przez Reklamującego; • **Delikatnych odbarwień na tylnej ścianie biokominka znajdującej się za płomieniem. Ze względu na długotrwałe narażenie farby proszkowej na działanie płomienia i dużej temperatury odbarwienia te są sprawą naturalną;** • Uszkodzeń w indywidualnej zabudowie jeżeli montaż został wykonany niezgodnie z treścią zawartą w dziale **"Ważne wskazówki dotyczące instalacji"**.

Niniejsze warunki gwarancji określają obowiązki Producenta z tytułu udzielonej gwarancji jak i zakres uprawnień nabywcy Produktu. Gwarancja nie wyłącza, nie ogranicza ani nie zawiesza uprawnień kupującego wynikających z niezgodności towaru z umową. W przypadkach nieuregulowanych niniejszą kartą gwarancyjną mają zastosowanie odpowiednie przepisy Kodeksu Cywilnego. Dodatkowe informacje dostępne pod adresem internetowym www.aflamo.pl.

ZNACZENIE PIKTOGRAMÓW



- zakaz uzupełniania biopaliwa podczas pracy urządzenia



- przeczytaj przed pierwszym uruchomieniem



- nie uzupełniaj biopaliwa, jeżeli urządzenie nie jest wychłodzone

AVEKO Sp. z o.o. sp. k.

ul. Dębowa 2

84-207 Łężyce

tel. +48 535 222 550

www.aflamo.pl



aflamo



Montage-und Bedienungsanleitung

Hängende / freistehende / zum Einbau bestimmte
Bio-Kaminöfen



Vor der Montage und Inbetriebnahme des Geräts lesen sie sorgfältig diese Anweisung.



Das in Bio-Kaminöfen eingesetzte Bioethanol ist nicht zum Verzehr bestimmt. Der Verzehr von Bioethanol ist gesundheits- und lebensgefährlich.

Sehr geehrter Kunde, vielen Dank für Ihr Vertrauen und den Kauf des Bio-Kaminofens. Unsere Produkte wurden mit dem Gedanken an Ihre Anforderungen hinsichtlich Nutzung, Ästhetik und Qualität entworfen und hergestellt und vereinen eine ausgesprochen einfache Bedienung, Sicherheit und hervorragende Effizienz. **WICHTIG!** Vor dem Beginn der Montage des Geräts machen Sie sich mit der vorliegenden Anweisung vertraut. Das Durchlesen dieser Anweisung hilft Ihnen, das Gerät sicher und ordnungsgemäß zu nutzen. Die Anweisung bewahren Sie für den Fall einer zukünftigen Demontage/Montage des Geräts auf. **WICHTIG!** Nach dem Auspacken des Geräts prüfen Sie dessen Zustand. Ein während des Transports beschädigtes Gerät sollte nicht installiert werden. Vergewissern Sie sich, dass das Gerät richtig zusammengesetzt und laut der vorliegenden Anweisung installiert wurde. Eine Nichtbeachtung dieser Anweisung kann zu ernstesten Körperverletzungen und zu Beschädigungen des Geräts führen. Bei jeglichen Fragen oder Zweifeln fragen Sie beim Hersteller nach. Zusätzliche Informationen finden Sie auf der Website de.aflamo.com.

WICHTIGE SICHERHEITSHINWEISE

ACHTUNG! Das Gerät benutzen Sie ausschließlich bestimmungsgemäß und laut der vorliegenden Anweisung. Die Nichtbeachtung der genannten Anwendungsgrundsätze kann einen Brand sowie die Gefährdung für Gesundheit und Leben der Benutzer bewirken. • Das Gerät ist ausschließlich zu Dekorationszwecken bestimmt und darf nicht als Hauptheizquelle zur Raumbeheizung genutzt werden. Der Hersteller trägt keine Verantwortung für Schäden und Verletzungen infolge einer nicht ordnungsgemäßen Nutzung. • Das Gerät ist nicht zum Dauerbetrieb bestimmt. • Änderungen im Geräteaufbau sind untersagt. Jegliche Versuche, den Aufbau zu ändern können zu Körperverletzungen und Gerätebeschädigungen führen. Der Hersteller behält sich das Recht, Änderungen vorzunehmen, die den Betrieb des Geräts nicht beeinflussen. Das Verlagern des Geräts während des Betriebs ist untersagt. Es besteht ein direktes Risiko, den Bio-Brennstoff zu verschütten und einen unkontrollierten Brand zu verursachen. Das Gerät und dessen Bestandteile erhitzen sich während des Betriebs. Nach dem Erlöschen warten Sie mindestens 30 Minuten bis zum Abkühlen des Geräts. Wegen der hohen Temperatur vermeiden Sie direkten Kontakt mit dem Gerät. • Behalten Sie einen sicheren Abstand vom arbeitenden Gerät. Die sichere Entfernung beträgt 0,5 m. • Niemals ein arbeitendes Gerät (Feuer) ohne Aufsicht lassen. Kinder, Tiere und Personen unter Einfluss von Alkohol oder Rauschmitteln sollten einen sicheren Abstand vom Gerät bewahren. Das Unterbringen von leicht brennbaren Stoffen auf dem Gerät oder in dessen direkter Nähe ist untersagt. Der sichere Abstand zwischen Gerät und leicht brennbaren Stoffen beträgt 0,5 m. • Das Gerät darf in einem Raum mit einem Volumen von mehr als 44 m³ und mit Belüftung eingesetzt werden. Vermeiden Sie jegliche Luftzüge. Der Hersteller behält sich das Recht zur Vornahme von technischen Änderungen zwecks Verbesserung des Geräts. Das Gerät ist ausschließlich zur Verbrennung von Bio Brennstoff in Form von Bioethanol, anders auch völlig kontaminiertem Alkohol bestimmt. Der für das eingekaufte Gerät bestimmte Bioethanol heißt 96%. Vor dem Gebrauch machen Sie sich mit den Informationen auf dem Etikett auf der Bioethanol-Verpackung vertraut. • Bioethanol bewahren Sie in einer sicheren Entfernung von mindestens 3 m vom Gerät auf. Um eine Selbstentflammung des Bioethanols zu vermeiden, ist dieses sorgfältig verschlossen in Raumtemperatur aufzubewahren, ohne es auf die direkte Einwirkung von Sonnenstrahlen auszusetzen. • Bioethanol muss fern von Kindern und Tieren zu gehalten werden. Vermeiden Sie physischen Kontakt mit Bioethanol. Rauchen Sie niemals beim nachfüllen von Bioethanol und beim Nutzen des Geräts. Füllen Sie niemals den Bio-Brennstoff nach, wenn: im Gerät eine Flamme brennt oder in einen Verbrennungsbehälter, der nicht abgekühlt ist. * Zum Nachfüllen von Bioethanol verwenden Sie einen Trichter. • Halten Sie im Raum einen Feuerlöscher oder eine Löschdecke bereit.

WICHTIG! Im Brandfall wegen Nichtbefolgung der Sicherheitsmaßnahmen benutzen Sie einen Feuerlöscher zum Löschen von Bränden vom Typ B, Feuerlöschschaum, Feuerlöschpulver, Kohlendioxid oder Halon. Das Gerät nicht mit Wasser löschen. Ein Hinzugießen von Wasser zum brennenden Alkohol kann den Brand verstärken. Wenn der Raum nicht mit Löschausrüstung ausgestattet ist, benutzen Sie nicht brennbare Stoffe, indem Sie diese um das brennende Gerät legen. Das wird den Sauerstoffzufluss einschränken und die Flammen erlöschen.

WICHTIGE INSTALLATIONSHINWEISE:

• **Die Montage von im Einbau hängenden Bio-Kaminöfen muss derart erfolgen, dass eine Demontage des Geräts, ohne den Einbau zu beeinträchtigen, jederzeit möglich ist.** • Das Gerät ist zur Nutzung in geschlossenen Räumen bestimmt.

• Das Gerät darf draußen (auf Terrassen, Balkons) nach der Absicherung gegen ungünstige Witterungsverhältnisse (Feuchtigkeit, Wasser oder sehr niedrige, bzw. sehr hohe Temperaturen) eingesetzt werden. • Der Raum sollte mit einer funktionstüchtigen Lüftungsanlage ausgestattet sein. Der Luftaustausch sollte mindestens ein Mal pro Stunde stattfinden. Das eingeschaltete Gerät darf nicht in Zugluft arbeiten und man darf das Feuer nicht künstlich entfachen (nicht ins Feuer blasen). Das Gerät sollte sich in einem Raum mit einem Volumen von mehr als 44 m³ befinden, wobei man stets die Ausbaumaterialien des Innenraums und sonstige Geräte im Raum

mit dem installierten Bio-Kaminofen beachten. Der Betrieb von mehreren Bio-Kaminöfen ist möglich, wenn die Heizleistung gleich oder größer 4,5 kW/h ist und eine zusätzliche Lüftung vorgesehen wurde. * Zum Aufhängen oder Aufstellen des Biokaminofens sollte man eine ebene, stabile und feuerfeste Oberfläche vorbereiten. • Bei der Montage eines hängenden Geräts sollte man einen sicheren Abstand vom Fußboden einhalten. Der Mindestabstand beträgt 0,6 m.

- Halten Sie einen sicheren Abstand von Gegenständen über dem Gerät und an dessen rechter und linker Seite ein. Der sichere Abstand beträgt 0,5m. • Leicht brennbare Gegenstände platzieren Sie fern vom Gerät. Das Gerät richten Sie vertikal und horizontal so aus, dass die Flüssigkeit nicht ausgeschüttet wird.

BETRIEBSBEGINN DES GERÄTS

Vor Beginn der Nutzung des Geräts prüfen Sie, **ob das Gerät korrekt zusammgebaut ist**. Anschließend öffnen Sie den Deckel des Verbrennungsbehälters mit dem Griff zum Verschieben des Deckels und füllen Sie den Behälter mit Bioethanol maximal bis 50% des Behältervolumens. Bei Brennern ohne Regelung füllen Sie das Bioethanol direkt in die Verbrennungsöffnungen ein. Vor der Inbetriebnahme des Geräts vergewissern Sie sich, dass die Behälter nicht über die maximale Niveauanzeige befüllt sind, und das Gerät nicht mit Bio-Brennstoff verschmutzt ist. Bei einer Überfüllung oder Verschmutzung des Brenners mit Bio-Brennstoff prüfen Sie die Nachbrennkammer für den Brennstoff. Beim Nachweisen eines Brennstoffüberschusses muss der Behälter entleert werden. Jegliche Leckage oder Verschüttung des Brennstoffs muss vor der Zündung des Geräts beseitigt werden. Flaschen mit Bio-Brennstoff in einer Entfernung von mindestens 3 m vom Gerät halten. Zum Zünden des Geräts verwenden Sie am besten ein langes Zündholz oder einen Feuerzünder mit verlängertem Zündstück. Halten sie eine sicherer Entfernung vom Behälter ein. Falls der Bioethanol nicht entzünden sollte, wiederholen Sie den Zündprozess, bis Sie eine stabile Flamme erhalten. Am Anfang wird die Flamme niedrig brennen. Warten Sie 10-15 Minuten ab, bis die Flamme eine optimale Temperatur und Höhe erreicht. Mit Hilfe des Griffs können Sie die Flammenhöhe durch Öffnen oder Schließen der verschiebbaren Deckel des Verbrennungsbehälters regeln (betr. nur Behälter mit Regelung der Flammenhöhe). Das Löschen der Flamme beruht im rhythmischen Schließen der verschiebbaren Deckel oder dem Verdecken der Brennerdüsen mit Hilfe des beigelegten Löschers.

ERNEUTERS BEFÜLLEN UND AUSLÖSCHEN

Niemals Bio-Brennstoff nachfüllen, wenn das Gerät in Betrieb ist. Vor der Ergänzung des Bio-Brennstoffs im Behälter warten Sie mindestens 30 Minuten ab, bis das Gerät vollständig abgekühlt ist (**füllen Sie den Brennstoff nicht in einen heißen Verbrennungsbehälter ein**). Der Brennstoffbehälter sollte nachgefüllt werden (Anweisungsschritte wie obenstehend beschrieben) und das Bioethanol derart angezündet werden, wie dies im Kapitel *„Betriebsbeginn des Geräts“* beschrieben ist. Versuchen Sie nie den Bio-Kaminofen mit Wasser zu begießen. Falls dies möglich ist, lassen Sie die Flamme eigenständig ausbrennen. Die Flamme sollte solange brennen, bis der ganze Brennstoff ausgebrannt ist. Um die Flamme zu löschen, bevor die Flüssigkeit ausgebrannt wird, schließen Sie mit einer **rhythmischen Bewegung die verschiebbaren Deckel oder verdecken Sie die Brennerdüsen mit dem beigelegten Löscher**. **ACHTUNG! Beim häufigen Betrieb des Geräts können sich hellere Verfärbungen an der Hinterwand des Bio-Kaminofens bilden. Angesichts der langzeitigen Aussetzung des Pulverlacks auf die Einwirkung der Flamme und der hohen Temperatur sind diese Verfärbungen eine natürliche Erscheinung und beeinträchtigen nicht weder das Aussehen noch die Nutzung des Bio Kaminofens. ACHTUNG!** Falls es trotz jeglicher Sicherheitsmaßnahmen zu einem Brand gekommen ist, nehmen Sie einen Löschversuch mit entsprechenden Löschmitteln vor, z.B. alkoholbeständiger Löschschaum und Kohlendioxid. Es wird empfohlen, ein Feuerlöschgerät in der Nähe bereit zu halten.

WARTUNG UND AUFBEWAHRUNG

- **WICHTIG!** Die Reinigungs- und Wartungstätigkeiten sollten nach dem vollständigen Abkühlen des Geräts durchgeführt werden. Das Gerät und die sonstigen Zubehöerteile sollten regelmäßig gereinigt werden. Die Gehäusebestandteile und Behälter reinigen Sie mit einem feuchten Tuch aus Mikrofiber mit der Zugabe von nicht ätzenden Reinigungsmitteln. Metallteile dürfen Sie mit einem Speziellen Reinigungsmittel für rostfreien Stahl reinigen, wohingegen Elemente aus Glas mit Reinigungsmitteln für Glas zu reinigen sind. Um eine Beschädigung von verschiedener Art Oberflächen zu vermeiden, befolgen Sie die folgenden Hinweise. Zur Reinigung dürfen keine der folgenden Mittel eingesetzt werden:

- Reinigungsmittel mit hohem Alkoholgehalt, darunter Spiritus oder Benzin
- Ätzende Reinigungsmittel
- Nicht verdünnte Geschirrspülmittel
- Hochdruck- oder Dampfreiniger
- reibmittelhaltige Reinigungsmittel
- Raue Putzschwämme. Falls starke Detergenzien auf das Gerät aufgetragen werden, sind diese unverzüglich mit einem feuchten Tuch zu entfernen und anschließend trocken zu wischen. Die in den Behältern eingesetzte Sorptionseinlage ist ein Verschleißelement und muss jede zwei Jahre ausgetauscht werden. Jeglicher Art Ersatzteile dürfen nur nach deren Freigabe durch den Hersteller eingesetzt werden. Vor der Einlagerung zur Aufbewahrung des Produkts muss das

Gerät vollständig abgekühlt sein. Bei der Demontage des Geräts von der Wand dessen vollständige Abkühlung prüfen. Das Gerät ist an einem reinen und trockenen Platz aufzubewahren. Die Bio-Brennstoffe in einem feuerfesten und trockenen sowie dunklen Raum in einer Temperatur von +5 bis +25 Grad Celsius aufbewahren.

GARANTIE

WICHTIG! Nach der Inbetriebnahme des Geräts sind Ansprüche wegen Austausch- oder Rückgaberecht ausgeschlossen. Der Hersteller haftet nicht für Schäden, die durch unsachgemäße Nutzung verursacht wurden. Falls die Ware nicht mit dem Kaufvertrag übereinstimmen sollte, sind jegliche damit verbundene Reklamationsforderungen am Einkaufsort des Geräts zu stellen. **WICHTIG! Die Montage von im Einbau hängenden Bio-Kaminöfen muss derart erfolgen, dass eine Demontage des Geräts, ohne den Einbau zu beeinträchtigen, jederzeit möglich ist.** Der Hersteller erteilt eine Garantie auf die angebotenen Produkte nach den im folgenden Dokument festgesetzten Grundsätzen:

1. Die Garantiefrist beträgt 2 Jahre ab Einkaufsdatum des Produkts. Bei sonstigen Sonderverkaufsaktionen - laut Bedingungen, die in gesonderten Dokumenten festgesetzt sind.
2. Die Garantieansprüche werden nach der Vorlage des Verkaufsnachweises und des Reklamationsprotokolls durch den Reklamationserhebenden untersucht.
3. Die Untersuchung der Garantieansprüche erfolgt innerhalb von 14 Werktagen ab Datum Reklamationserhebung in schriftlicher Form.
4. Voraussetzung, dass eine Reklamation laut vorliegenden Grundsätzen anerkannt wird, ist die Nutzung des Produkts gemäß der vorliegenden Bedienungsanweisung.
5. Der Reklamationserhebenden hat das Recht, die Abgeltungsart seiner anerkannten Garantieansprüche zu wählen (kostenlose Reparatur, Austausch des Produkts gegen ein neues oder Widerruf).
6. Bei Anerkennung einer Reklamation wird die Garantiefrist um die Reparaturdauer verlängert.
7. Der Reklamationserhebende muss das komplette Produkt samt notwendigen Unterlagen und der einen sicheren Transport ermöglichenden Verpackung liefern.
8. Bei Anerkennung einer Reklamation werden die Anlieferungskosten der Ware durch den Garantiegeber getragen. Falls die Beschädigungen keiner Garantie unterliegen, wird die Ware an den Reklamationserhebenden auf dessen Kosten zurückgeschickt.
9. Die Garantie schließt Folgendes aus: • Beschädigungen, die nach der Garantiefrist gemeldet werden; • Produkte, die von unbefugten Personen repariert oder umgebaut wurden; • Durch den Benutzer verschuldete Beschädigungen; • Beschädigungen infolge von Umgebungseinwirkungen und ungerechter Wartung und Aufbewahrung des Geräts; • Mechanische Beschädigungen und solche infolge der Einwirkung von Fremdkörpern; • Normaler Verschleiß der Teile mit begrenzter Lebensdauer, infolge des Gerätetriebs; • Beschädigungen infolge eines ungerechten Transports des Produkts durch den Reklamationserhebenden; • Feine Verfärbungen an der Hinterwand des Bio-Kaminofens hinter der Flamme. Wegen einer langen Aussetzung des Pulverlacks auf die Einwirkung von Flammen und hoher Temperatur kommen diese Verfärbungen naturgemäß vor; * Beschädigungen im individuellen Einbau, wenn die Montage nicht nach den Anweisungen im Kapitel "Wichtige Hinweise zur Montage" durchgeführt wurde.

Diese Garantiebedingungen bestimmen die Pflichten des Herstellers wegen anhand der erteilten Garantie, sowie den Berechtigungsumfang des Produkterwerbers. Die Garantie schließt die Rechte des Kaufenden anhand der Vertragswidrigkeit des Produkts nicht aus, schränkt sie nicht ein und setzt sie nicht aus. In durch diesen Garantieschein nicht geregelten Fällen werden die entsprechenden Vorschriften des polnischen Bürgerlichen Gesetzbuches angewandt. Zusätzliche Informationen finden Sie auf der Website de.aflamo.com.

PICTOGRAMS



- Füllen Sie keinen Bio-Brennstoff nach, wenn die Geräte nicht abgekühlt sind.



- Vor der Erstinbetriebnahme lesen



- Es ist untersagt, den Brennstoff während des Gerätebetriebs nachzufüllen.

AVEKO Sp. z o.o. sp. k.

ul. Dębowa 2

84-207 Łężyce

tel. +48 535 222 550

www.aflamo.com



Manuel d'installation et d'opération

Bio-cheminées suspendues / autonomes / encastrées



Lisez attentivement le manuel avant d'installer et d'utiliser le périphérique



Le bioéthanol utilisé dans les bio-cheminées n'est pas destiné à la consommation. Les consommations peuvent causer des problèmes de santé ou la mort.

Cher client, Merci de votre confiance et de votre achat de cette bio-cheminée. Nos produits sont conçus et fabriqués pour répondre à vos exigences en matière de performances, d'apparence et de qualité, et associent une facilité d'utilisation unique, une sécurité et une excellente efficacité. IMPORTANT! Lisez ce manuel avant d'installer le périphérique. Cela vous permettra de l'utiliser de manière sûre et appropriée. Conservez le manuel au cas où l'appareil devrait être démonté ou installé ultérieurement. IMPORTANT! Vérifiez l'état de l'appareil après le déballage. N'installez pas l'appareil s'il a été endommagé lors du transport. Assurez-vous que l'appareil a été correctement assemblé et installé conformément à ce manuel. Le non-respect des instructions peut entraîner des blessures graves ou des dommages à l'appareil. Consultez le fabricant en cas de questions ou de doutes. Des informations complémentaires sont disponibles sur www.aflamo.com

IMPORTANTES DIRECTIVES DE SÉCURITÉ

REMARQUE! L'appareil ne doit être utilisé que comme prévu et de la manière décrite dans ce manuel. Le non-respect de ces règles peut entraîner un incendie ou un risque pour la vie ou la santé de l'utilisateur.

- L'appareil est uniquement destiné à la décoration et ne peut pas être utilisé comme source principale de chauffage intérieur. Le fabricant n'est pas responsable des dommages ou des blessures résultant d'une utilisation incorrecte de l'appareil. • L'appareil n'est pas conçu pour un fonctionnement continu. • Ne modifiez pas la structure de l'appareil. Toute tentative d'altération de la structure de l'appareil peut provoquer des blessures ou endommager l'appareil. Le fabricant se réserve le droit d'apporter des modifications n'affectant pas le fonctionnement de l'appareil.
- Ne transportez pas l'appareil lorsqu'il est utilisé. Il y a un risque immédiat de déversement de carburant et d'incendie non maîtrisé. • L'appareil et ses composants s'échauffent pendant l'utilisation. Une fois l'incendie éteint, attendez au moins 30 minutes que l'appareil se soit refroidi. En raison de la température élevée, vous devez éviter tout contact direct avec l'appareil. • Maintenez une distance de sécurité avec l'appareil activé. La distance de sécurité est de 0,5 m. • Ne laissez jamais l'appareil activé (feu) sans surveillance. Les enfants, les animaux et les personnes sous l'influence de l'alcool ou de drogues doivent rester à une distance de sécurité de l'appareil. • Ne placez aucun matériau inflammable à l'intérieur ou à proximité immédiate de l'appareil. La distance de sécurité entre l'appareil et les matériaux inflammables est de 0,5 m. • L'appareil doit être utilisé dans une pièce ventilée d'une cylindrée supérieure à 44 m³. Ne pas permettre les courants d'air.
- Le fabricant se réserve le droit d'apporter des modifications techniques pour améliorer l'appareil. • L'appareil est conçu pour brûler uniquement des biocarburants sous forme de bioéthanol, également appelé alcool éthylique complètement dénaturé. Le bioéthanol dédié à l'appareil est à 96%. • Avant d'utiliser le bioéthanol, lisez les informations fournies sur l'étiquette située sur l'emballage. • Stockez le bioéthanol à une distance de sécurité de l'appareil (au moins 3 m). • Pour éviter l'auto-inflammation, le bioéthanol doit être conservé soigneusement fermé, à la température ambiante et dans un endroit non exposé au soleil. • Conservez le bioéthanol hors de portée des enfants et des animaux. • Évitez tout contact physique avec le bioéthanol. • Ne fumez jamais en remplissant de bio-éthanol ou en utilisant l'appareil. • Ne remplissez jamais le biocarburant pendant que la flamme brûle à l'intérieur de l'appareil ou dans le réservoir de combustion si elle ne s'est pas refroidie. • Utilisez un entonnoir pour remplir le bio-éthanol. • Fournissez à la pièce un extincteur ou une couverture anti-feu prête à l'emploi. **REMARQUE!** En cas d'incendie dû au non-respect des règles de sécurité, utilisez un extincteur destiné à éteindre les incendies B, la mousse d'extinction, les poudres, le dioxyde de carbone ou les halons. Ne pas éteindre le feu avec de l'eau. Le feu peut s'intensifier si notre eau dépasse l'alcool brûlant. Si la pièce n'est pas équipée de matériel de lutte contre l'incendie, utilisez des matériaux ininflammables en les appliquant sur le matériel en combustion. Cela limitera l'accès à l'oxygène et éteindra ainsi les flammes.

IMPORTANTES DIRECTIVES D'INSTALLATION:

- **L'installation de bio-cheminées suspendues dans les structures environnantes doit être réalisée de manière à ce que le dispositif puisse être démonté à tout moment, sans ingérence dans de telles structures.** • L'appareil est destiné à une utilisation en intérieur.
- L'appareil peut être utilisé à l'extérieur (sur des terrasses ou des balcons) une fois qu'il est protégé contre les intempéries (humidité, eau et températures extrêmement basses ou élevées). • La salle devrait être dotée d'un système de ventilation efficace. Le renouvellement de l'air doit avoir lieu au moins une fois par heure. Ne laissez pas l'appareil activé dans un courant d'air ou alimentez artificiellement les flammes (ne soufflez pas sur les flammes) • L'appareil doit être placé dans une pièce d'une cylindrée supérieure à 44 m³, équipement situé dans la pièce où la bio-cheminée est installée. Le fonctionnement de plusieurs bio-cheminées est possible si la puissance de chauffage ne dépasse pas 4,5 kW / h et s'il y a une ventilation supplémentaire. • La bio-cheminée doit être suspendue ou posée sur une surface plane, stable et résistante au feu.
- Maintenez une distance de sécurité par rapport au sol lors de l'installation du dispositif suspendu. La distance minimale par rapport au sol est de 0,6 m.

- Maintenez une distance de sécurité avec les objets situés au-dessus de l'appareil, à droite ou à gauche.
- La distance de sécurité est de 0,5 m.
- N'insérez aucun objet inflammable. manière à ce que le liquide ne soit pas renversé.

OPERATION INITIALE

Avant d'utiliser l'appareil, vérifiez **s'il a été correctement assemblé**. Ouvrez ensuite les couvercles du réservoir de combustion à l'aide de la poignée coulissante du couvercle et remplissez le réservoir avec du bioéthanol jusqu'à 50% de sa capacité. Pour les brûleurs sans réglage, le bioéthanol doit être introduit directement dans les ouvertures de combustion. Avant de démarrer l'appareil, assurez-vous que les réservoirs ne sont pas trop remplis au-dessus de l'indicateur de niveau maximum et que l'appareil n'est pas rempli de biocarburant. Vérifiez la chambre de combustion secondaire au cas où le biocarburant serait renversé ou versé sur le brûleur. Si un excès de carburant est détecté, le réservoir de carburant doit être vidangé. Toute fuite ou déversement de carburant doit être éliminé avant le démarrage de l'appareil. Gardez les bouteilles de biocarburant à au moins 3 m de l'appareil. L'appareil doit de préférence être démarré avec un allumeur à allumette longue ou à goulot étendu. N'oubliez pas de garder une distance de sécurité du réservoir. Si le bioéthanol ne s'allume pas, répétez la procédure de cuisson jusqu'à obtention d'une flamme stable. Au début, la flamme brûlera lentement. Attendez 10-15 minutes jusqu'à ce que la flamme atteigne une température et une hauteur optimales. Avec la poignée, vous pouvez régler la hauteur de la flamme en ouvrant ou en fermant les couvercles coulissants du réservoir de combustion (ceci ne concerne que les réservoirs à hauteur de flamme réglable). L'extinction du feu consiste à fermer les couvercles coulissants de façon rythmée ou à recouvrir les buses du brûleur avec l'extincteur fourni.

REPLISSAGE ET EXTINCTION AU FEU

- Ne remplissez jamais de biocarburant lorsque l'appareil est activé. Avant de remplir à nouveau le biocarburant dans le réservoir, laissez-le refroidir complètement pendant au moins 30 minutes (**ne remplissez pas le liquide dans le réservoir de combustion lorsqu'il est chaud**). Remplissez le réservoir de carburant (comme indiqué ci-dessus) et allumez du bioéthanol comme décrit dans la section "*Mise en service*". N'essayez pas de verser de l'eau sur le bio-foyer. Si possible, laissez toujours la flamme s'éteindre d'elle-même. La flamme devrait brûler jusqu'à ce que le réservoir soit à court de carburant. Pour éteindre les flammes avant que le liquide ne brûle, fermez de manière rythmée les capots coulissants ou couvrez les buses du brûleur à l'aide de l'extincteur fourni. **REMARQUE! Si l'appareil est utilisé fréquemment, une décoloration vive peut apparaître sur la paroi arrière du bio-foyer. Étant donné que la couche de poudre est exposée en permanence aux flammes et aux températures élevées, cette décoloration est naturelle et n'a aucun effet néfaste sur l'aspect et le fonctionnement de la cheminée biologique. REMARQUE! Si un incendie se déclare en prenant toutes les précautions, essayez de l'éteindre avec des agents appropriés** tels qu'une mousse résistant aux alcools ou du dioxyde de carbone. Nous recommandons d'avoir un extincteur à proximité.

ENTRETIEN ET STOCKAGE

- **IMPORTANT!** Les activités de nettoyage et de maintenance ne peuvent être effectuées que lorsque l'appareil est complètement refroidi. L'appareil et ses accessoires doivent être nettoyés régulièrement. Nous recommandons de nettoyer les composants du boîtier et les réservoirs avec un chiffon en microfibre imbibé d'agents de nettoyage non caustiques. Les composants métalliques peuvent être nettoyés avec une préparation spéciale destinée à l'acier inoxydable et les composants en verre doivent être nettoyés avec des préparations d'entretien du verre. Respectez les consignes suivantes pour éviter d'endommager différents types de surfaces. Les agents suivants ne doivent pas être utilisés pour le nettoyage: • agents de nettoyage à forte teneur en alcool, y compris solvants, essences ou essences • agents de nettoyage caustiques • produits de lavage de la vaisselle non dilués • nettoyeurs haute pression ou à vapeur • agents de nettoyage contenant des abrasifs • éponges rugueuses. Si des détergents puissants sont appliqués sur l'appareil, retirez-les immédiatement avec un chiffon humide, puis essuyez l'appareil. L'insert absorbant utilisé dans les réservoirs est sujet à l'usure et doit être remplacé tous les deux ans. Utilisez uniquement des pièces de rechange approuvées par le fabricant. Attendez que l'appareil refroidisse complètement avant de le stocker. Assurez-vous que l'appareil est complètement refroidi avant de le détacher du mur. Rangez l'appareil dans une pièce propre et sèche. Stockez le biocarburant dans une pièce sèche, sombre et résistante au feu, à une température de +5 à +25 degrés Celsius.

GARANTIE

IMPORTANT! Une fois que l'appareil a été démarré, il ne peut être ni remplacé ni retourné. Le fabricant n'est pas responsable des dommages causés par une utilisation incorrecte de l'appareil. Les demandes de garantie pour produits non conformes au contrat de vente doivent être déposées à l'endroit où l'appareil a été acheté. **IMPORTANT! L'installation de bio-foyers suspendus dans les structures environnantes doit être réalisée de manière à ce que le dispositif puisse être démonté à tout moment sans gêner ces structures.** Le fabricant accorde une garantie sur ses produits aux conditions énoncées dans les présentes.

1. La période de garantie sera de 2 ans à compter de la date d'achat. Pour les autres campagnes promotionnelles, la garantie est soumise à des conditions découlant d'accords séparés.
2. La garantie sera prise en compte après que le plaignant ait remis la preuve de vente et le rapport de plainte.
3. La plainte doit être examinée dans les 14 jours ouvrables à compter de la date de la plainte écrite.
4. Une plainte ne peut être acceptée dans les conditions énoncées dans la présente que si le produit est utilisé comme prévu.
5. Le plaignant ne peut choisir la manière de satisfaire ses demandes de garantie acceptées (réparation ou remplacement gratuit du produit, ou résiliation du contrat).
6. Si la réclamation est acceptée, la période de garantie sera prolongée de la date de la réparation.
7. Le plaignant devrait livrer un produit complet avec les documents et l'emballage nécessaires à un transport en toute sécurité.
8. Si la réclamation est acceptée, les frais de livraison seront à la charge du Garant. Si les dommages ne sont pas couverts par la garantie, le produit sera renvoyé au plaignant à ses propres frais.
9. La garantie ne couvre pas: • Les dommages signalés après la période de garantie. • Les produits réparés ou modifiés par des personnes non autorisées. résultant des effets de corps étrangers • Usure normale des pièces en fonctionnement à durée de vie limitée • Dommages résultant d'un transport inapproprié du produit par le plaignant • **Légère décoloration sur la paroi arrière de la bio-cheminée située derrière la flamme. Comme la couche de poudre est exposée en permanence à la flamme et à des températures élevées, cette décoloration est normale.** • **Des dommages se sont produits dans les structures individuelles entourant l'appareil, si celui-ci a été installé en violation des "Consignes d'installation importantes".**

Les présentes conditions générales de garantie précisent les obligations du fabricant au titre de la garantie et l'étendue des droits de l'acheteur. Cette garantie ne doit pas exclure, limiter ou suspendre les droits de l'acheteur en cas de non-conformité du produit avec le contrat. Les dispositions appropriées du Code civil s'appliquent à toutes les affaires non réglées aux présentes. Des informations complémentaires sont disponibles sur www.aflamo.com.

PICTOGRAMMES



- ne pas faire le plein lorsque l'appareil est en marche



- lire avant la première utilisation



- ne pas faire le plein si l'appareil n'a pas refroidi

AVEKO Sp. z o.o.

ul. Dębowa 2

84-207 Łężyce

tel. +48 535 222 550

www.aflamo.com