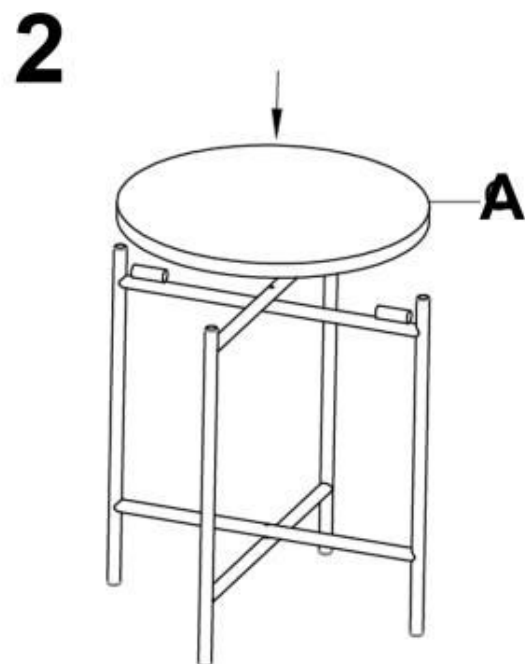
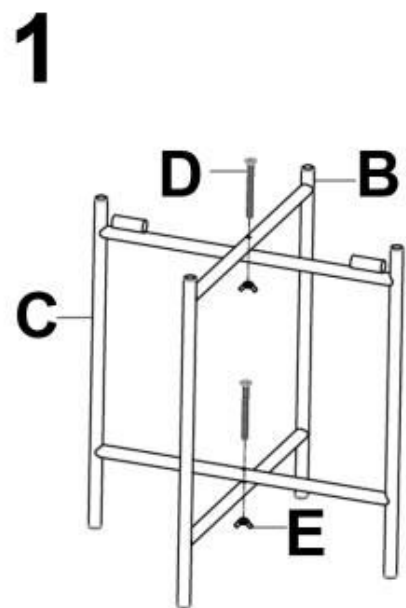
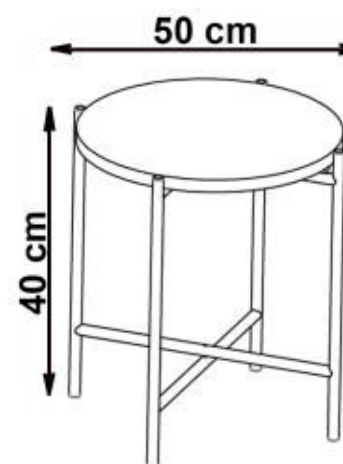


LASTRICO



A		1
B		1
C		1
D		2
E		2



max. 20 kg



v.1