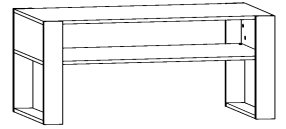


# NUKA ŁAWA F

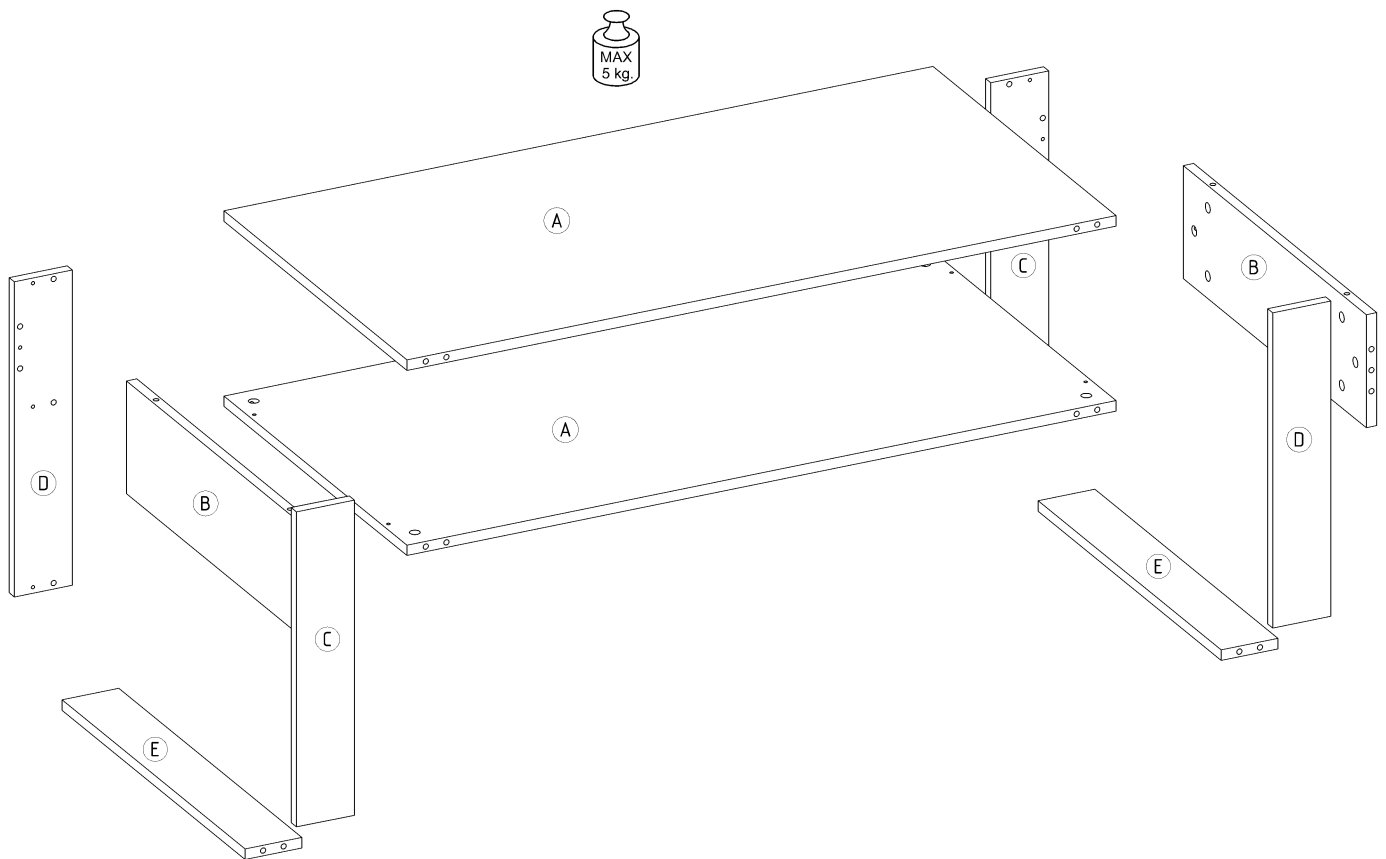
L-110 H-48 D-60



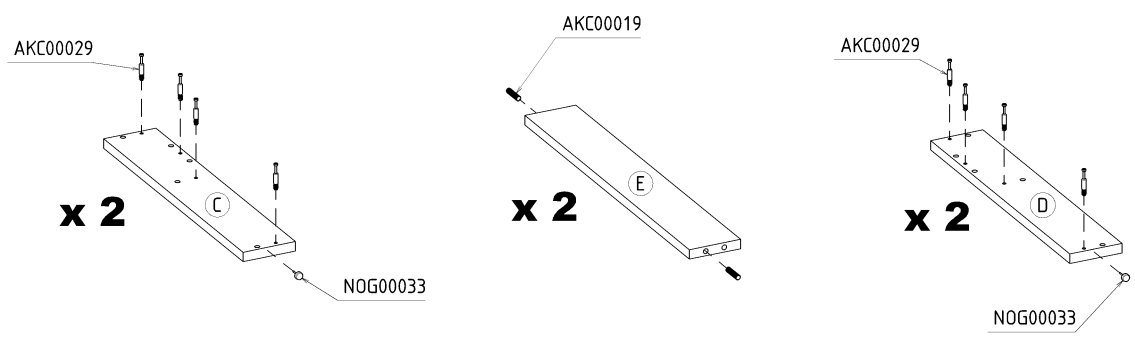
<b>x 20</b>  AKC00019	<b>x 24</b>  AKC00029	<b>x 24</b>  AKC00151	<b>x 24</b>  AKC00004	<b>x 4</b>  NOG00033
-----------------------------	-----------------------------	-----------------------------	-----------------------------	----------------------------



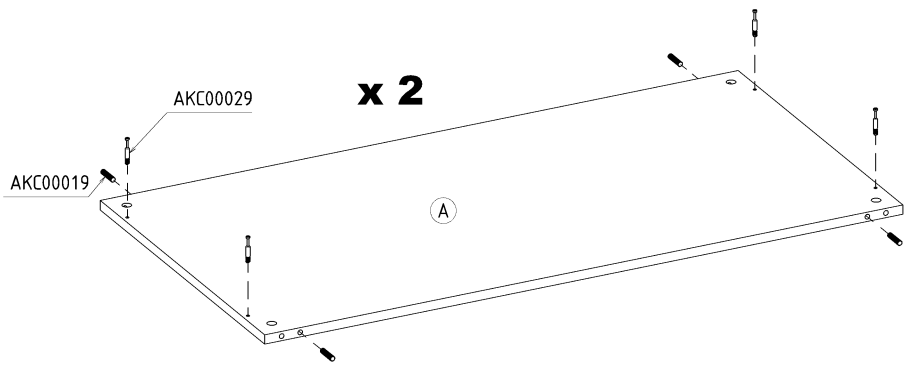
30 min



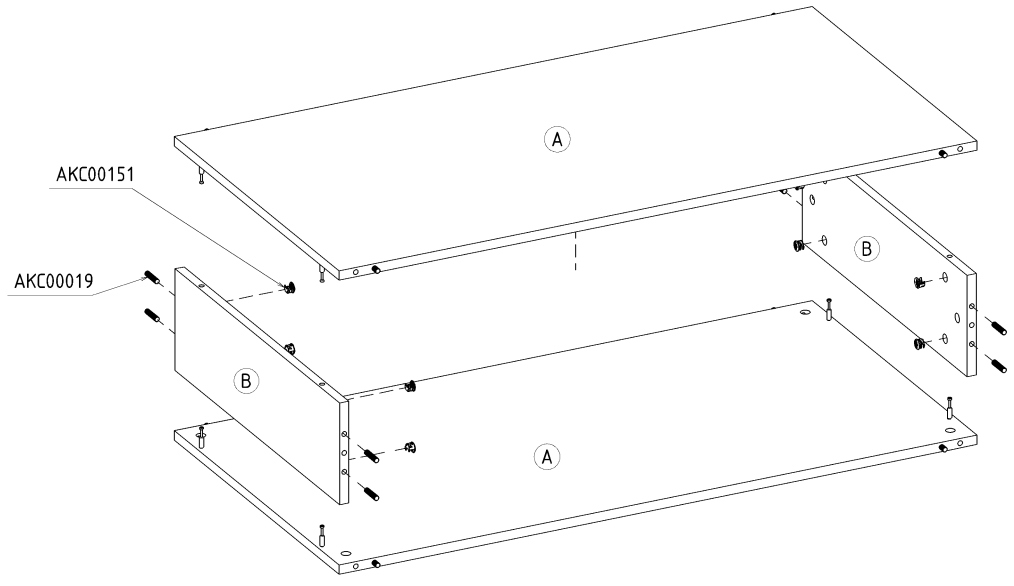
1



2



3



4

