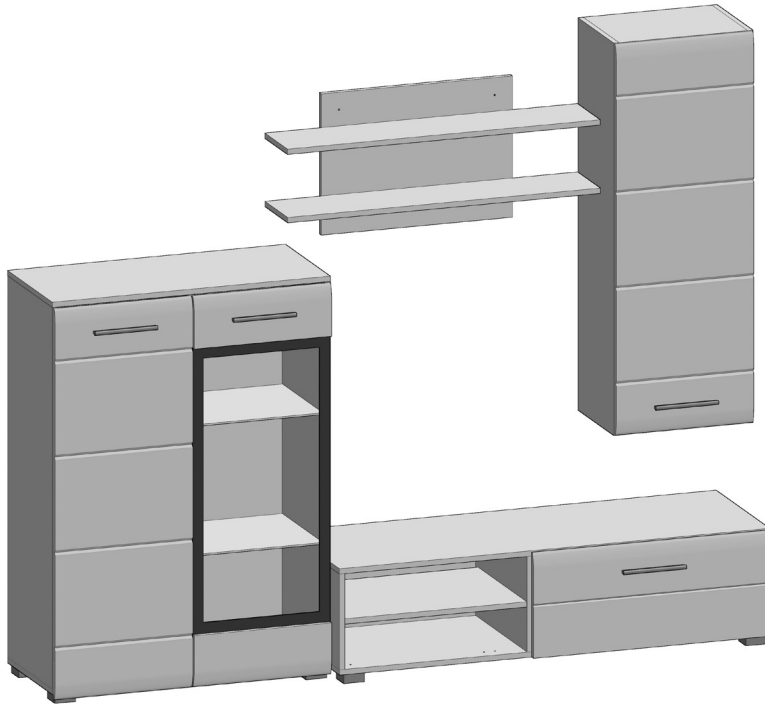
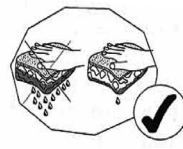
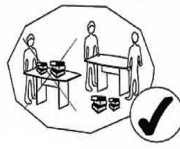
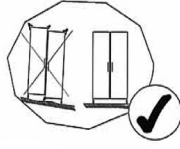
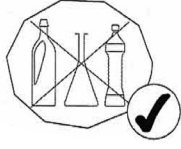
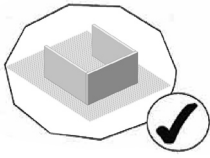


DIANA

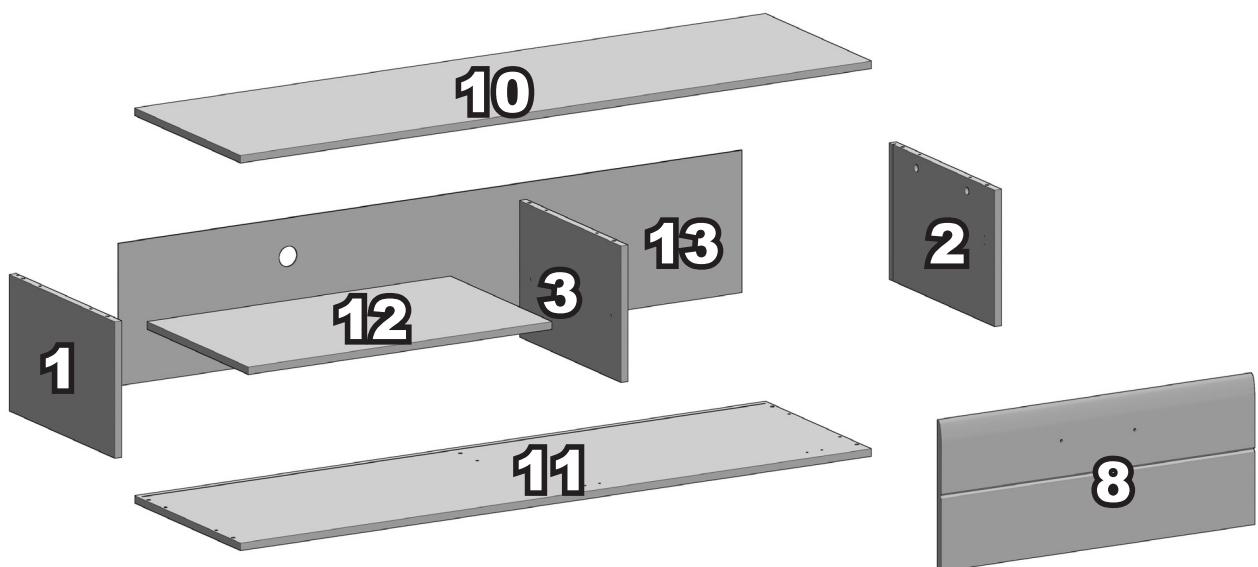
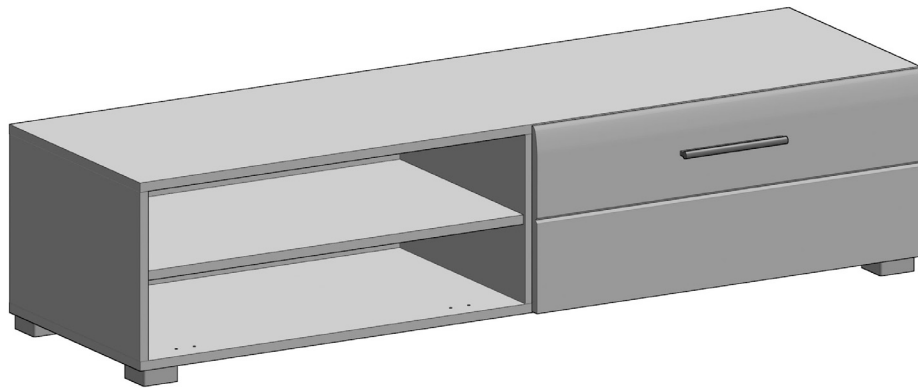
DIANA 11062016



<p>K-01</p> <p>40x 8x30</p>	<p>T-01</p> <p>20x 20/ø6x11</p>	<p>M-01</p> <p>20x ø15x12</p>	<p>W-08</p> <p>22x 4x30</p>	<p>W-28</p> <p>8x 3,5x25</p>	<p>W-33</p> <p>4x 3,5x16</p>
<p>ZW-02</p> <p>10x</p>	<p>W-23</p> <p>20x 3,5x16</p>	<p>ZP-06</p> <p>10x</p>	<p>WE-01</p> <p>20x 6,3x13</p>	<p>LM-01</p> <p>6x</p>	<p>W-19</p> <p>6 x 3x20</p>
<p>W-21</p> <p>4x 6x11</p>	<p>ZM-03</p> <p>2x</p>	<p>TU-01</p> <p>4x</p>	<p>WK-01</p> <p>20x 7/50</p>	<p>KM-01</p> <p>16x</p>	<p>KM-02</p> <p>8x</p>
<p>PKE-01</p> <p>2x</p>	<p>W-23</p> <p>4x 3,5x16</p>	<p>H-05</p> <p>1x L-200</p>	<p>ZM-01</p> <p>2x</p>	<p>LKP-02</p> <p>22x</p>	<p>I-01</p> <p>1x</p>
<p>L-05</p> <p>2x</p>	<p>W-23</p> <p>4x 3,5x16</p>	<p>P-03</p> <p>20 x</p>	<p>N-02</p> <p>9x 60x60x25</p>	<p>U-18</p> <p>4x 180/160</p>	

DIANA

DIANA 11062016

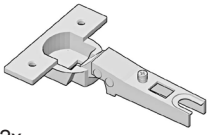


REP	DIM	QTE	package
1	268 x 425 x 15	1	1/3
2	268 x 425 x 15	1	1/3
3	268 x 410 x 15	1	1/3
8	686 x 294 x 16	1	1/3
10	1300 x 426 x 15	1	1/3
11	1300 x 426 x 15	1	1/3
12	594 x 408 x 15	1	1/3
13	1279 x 279 x 2,5	1	1/3

DIANA

DIANA 11062016

ZW-02



2x

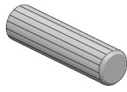
W-23



4x

3,5x16

K-01



12x

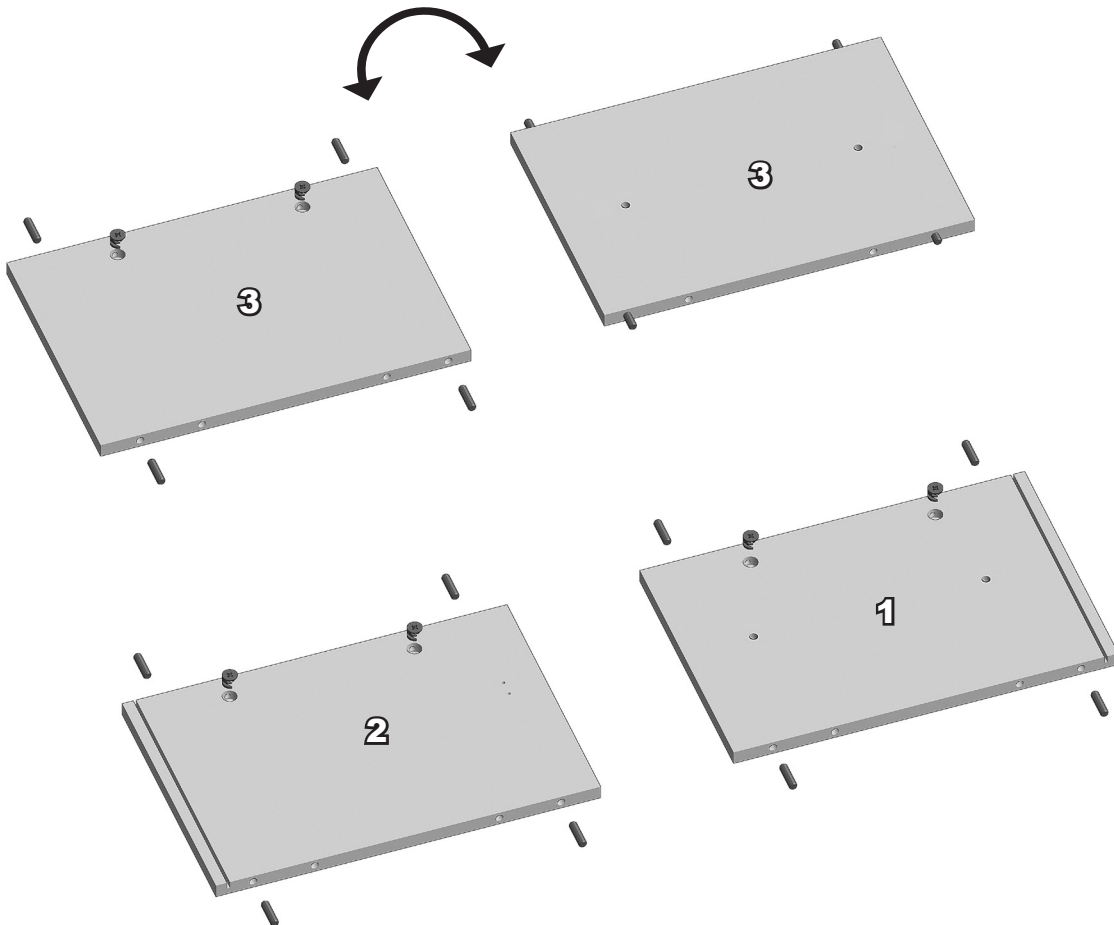
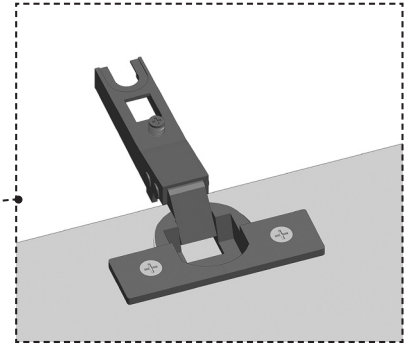
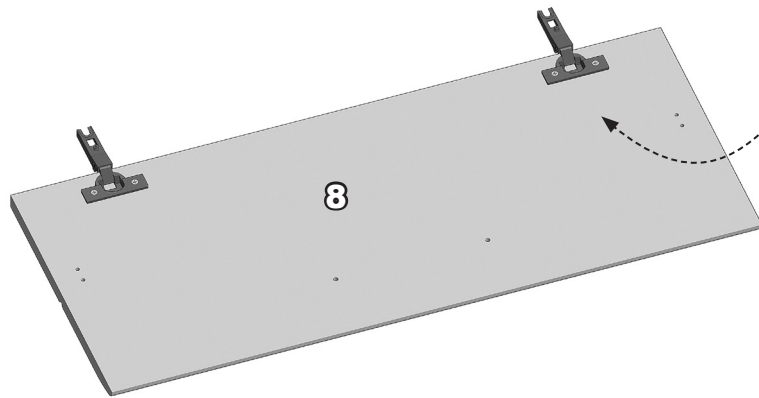
8x30

M-01



6x

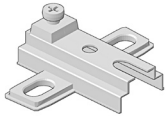
ø15x12



DIANA

DIANA 11062016

ZP-06



2x

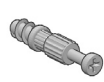
WE-01



4x

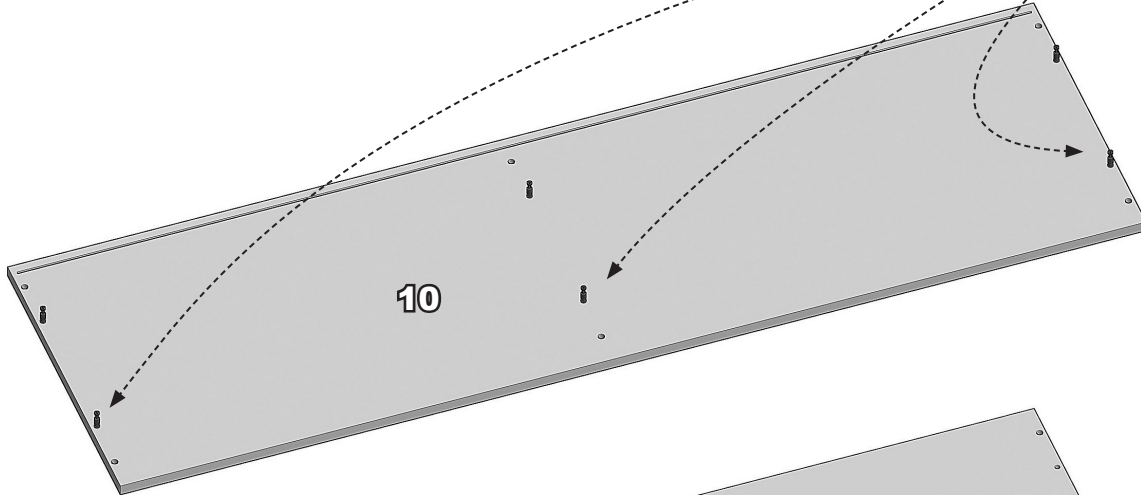
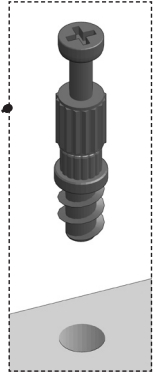
6.3x13

T-01

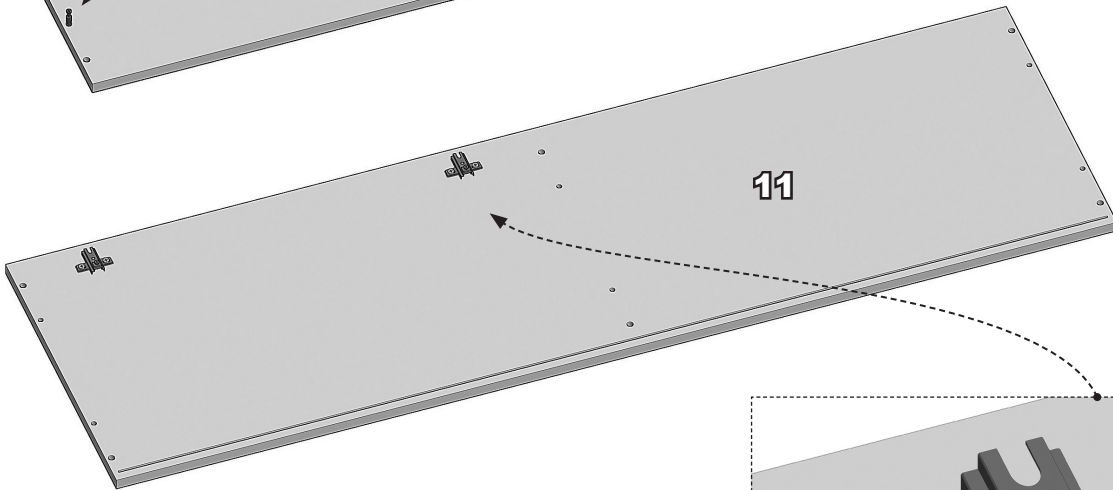


6x

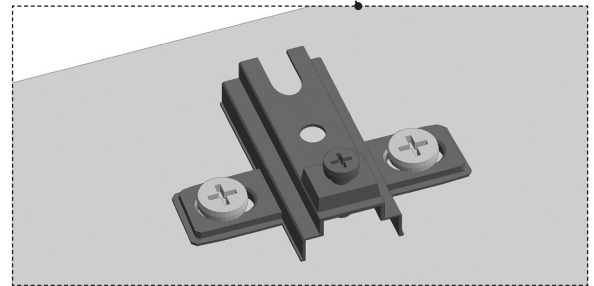
20/ø6x11



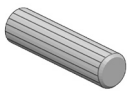
10



11

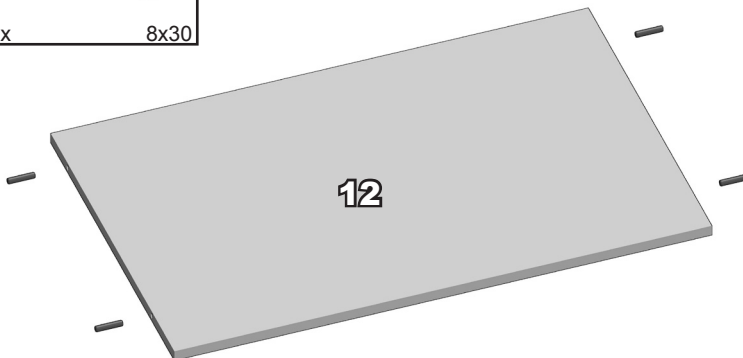


K-01



4x

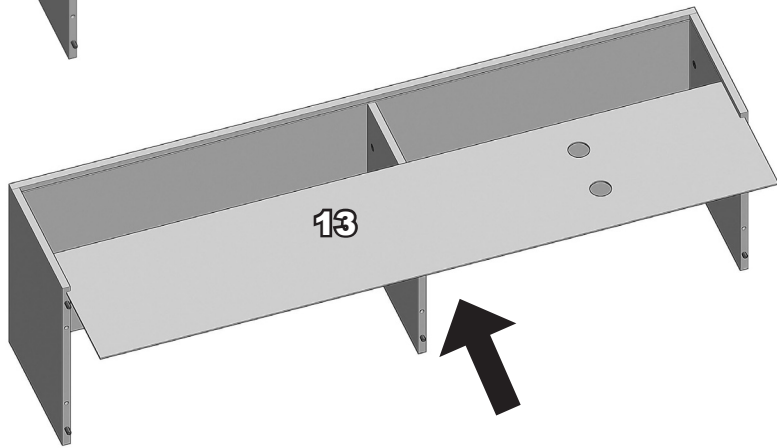
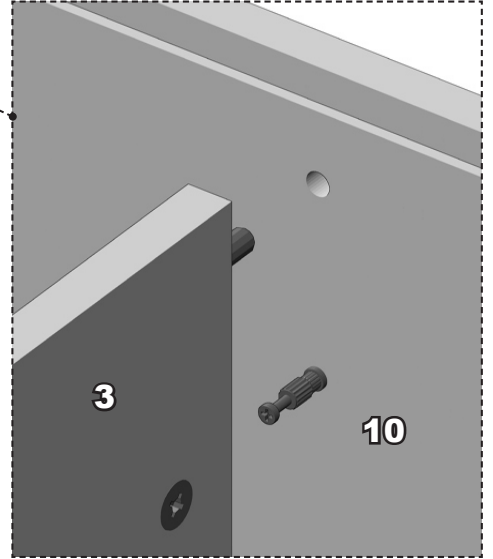
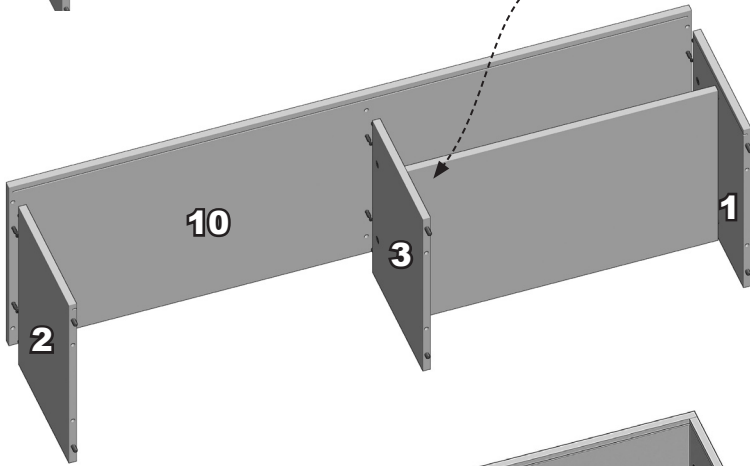
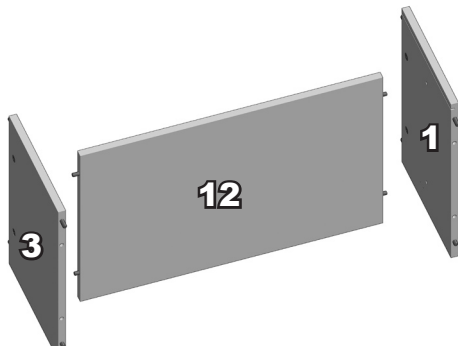
8x30



12

DIANA

DIANA 11062016



WK-01



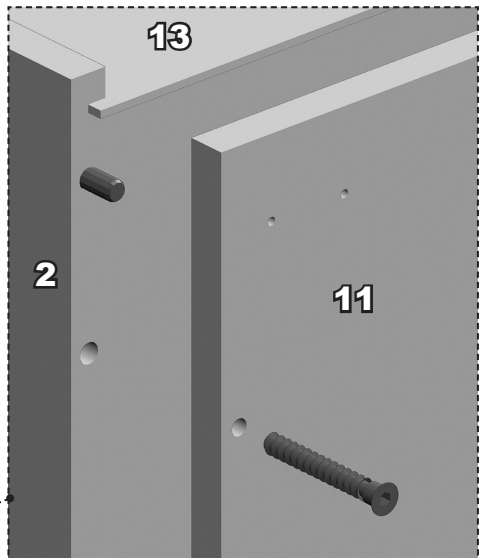
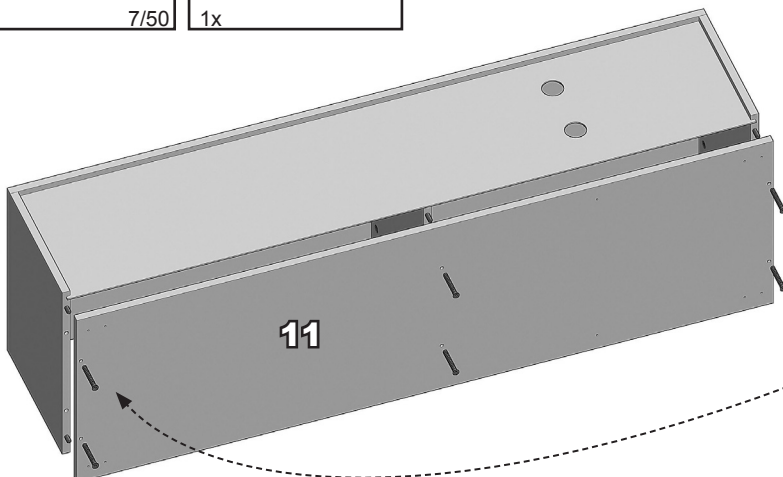
6x

7/50

I-01

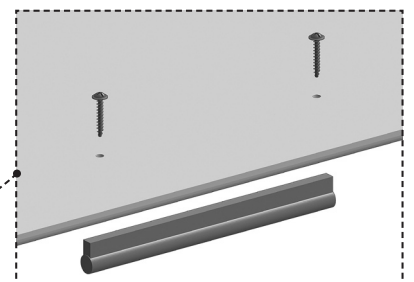
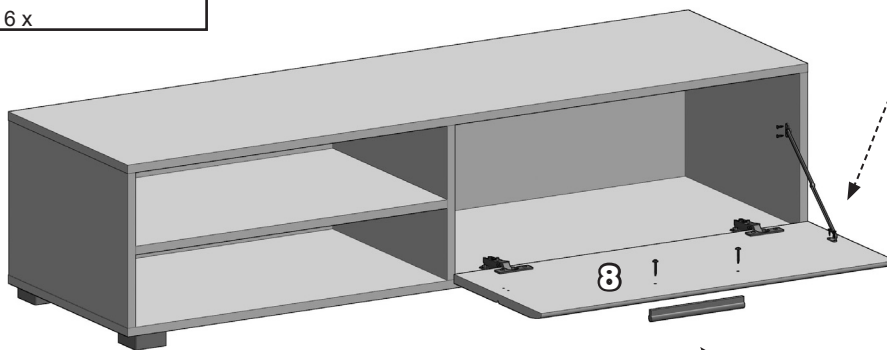
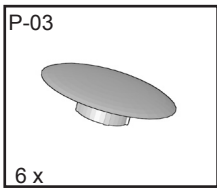
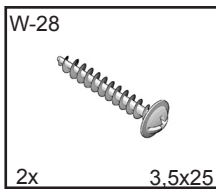
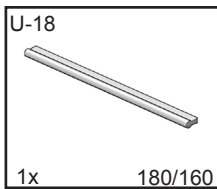
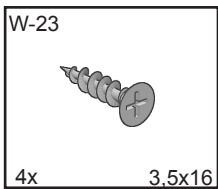
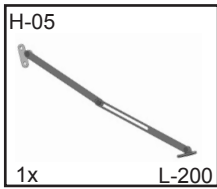
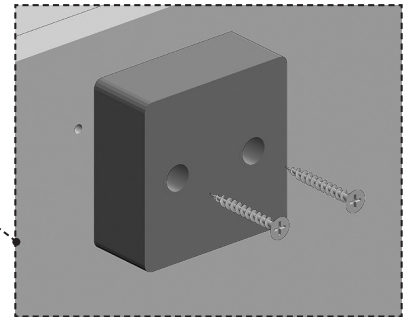
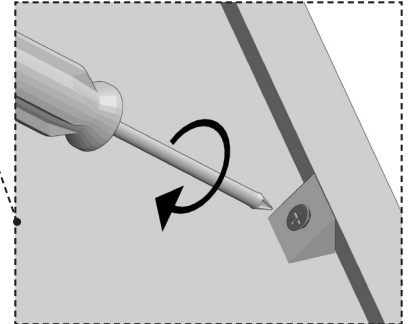
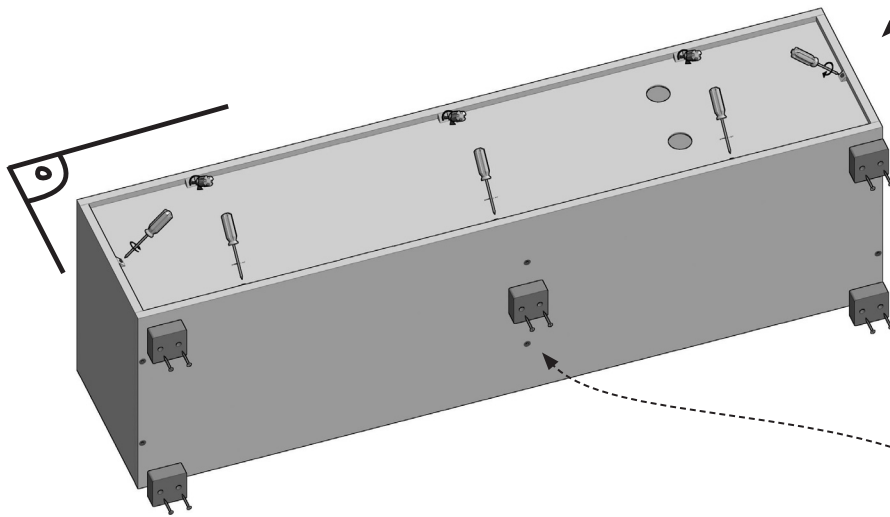
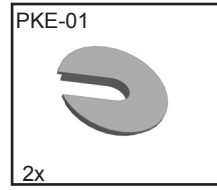
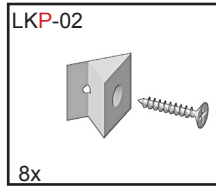
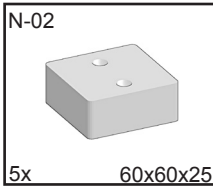
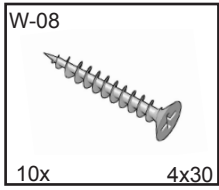


1x



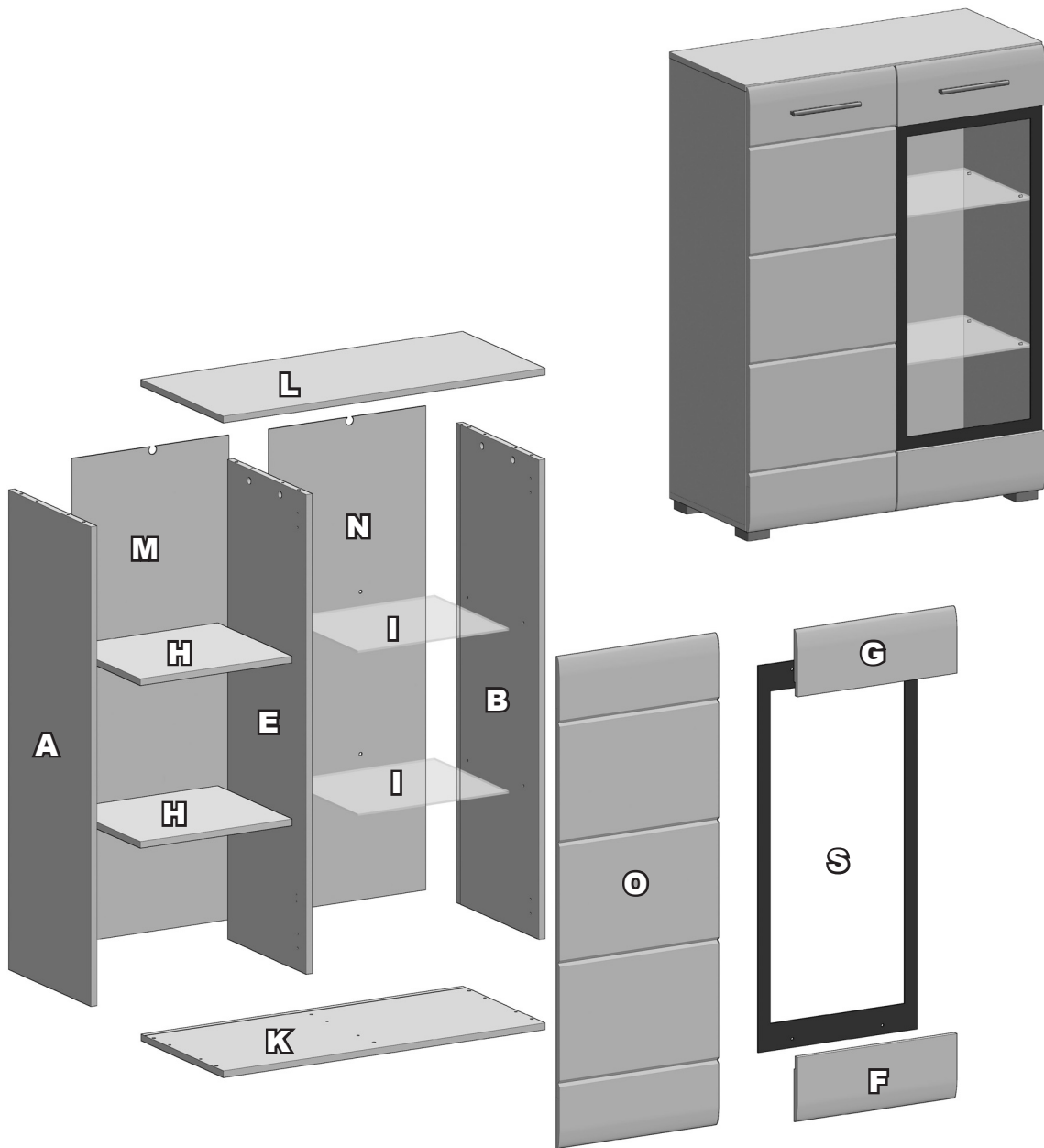
DIANA

DIANA 11062016



DIANA

DIANA 11062016

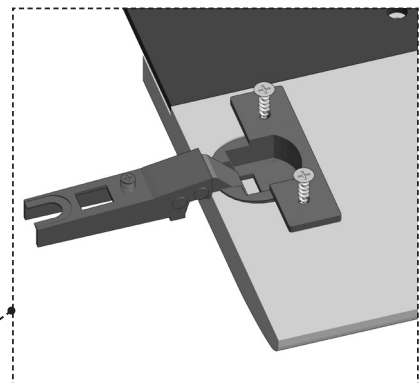
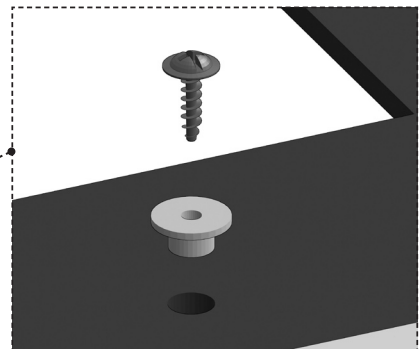
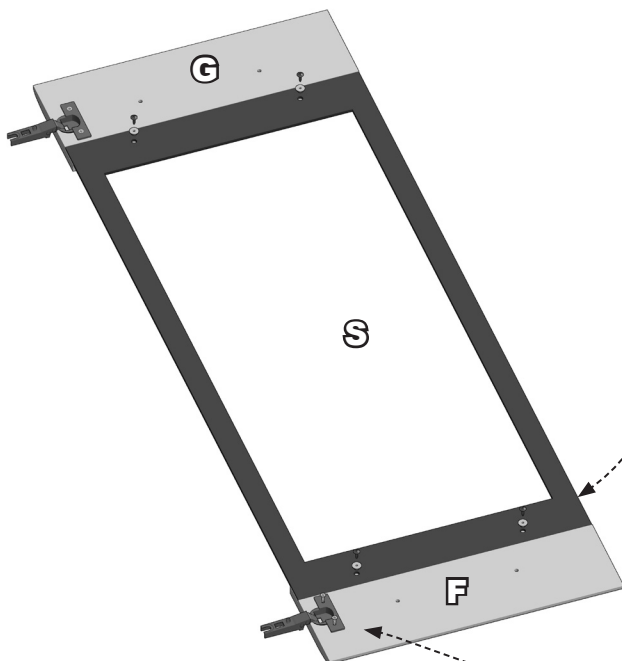
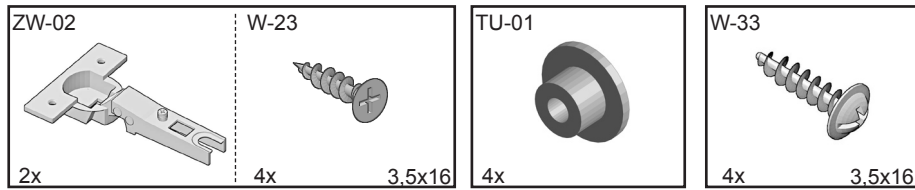
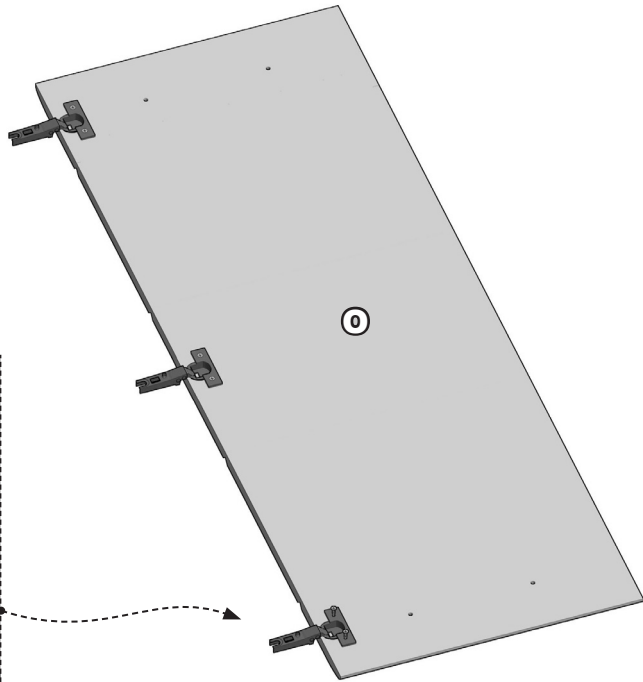
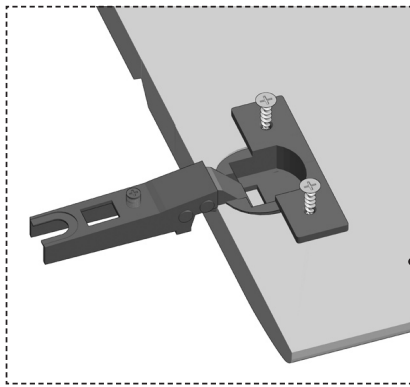
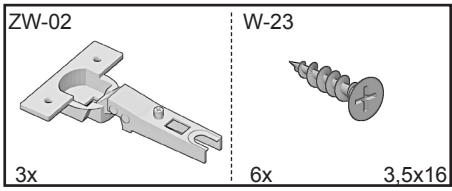


REP	DIM	QTE	package
A	1070 x 355 x 15	1	2/3
B	1070 x 355 x 15	1	2/3
E	1070 x 340 x 15	1	2/3
F	396 x 147 x 16	1	2/3
G	396 x 147 x 16	1	2/3
H	377 x 320 x 15	2	2/3
I	377 x 320 x 5	2	2/3

REP	DIM	QTE	package
K	800 x 356 x 15	1	2/3
L	800 x 356 x 15	1	2/3
M	1080 x 390 x 2,5	1	2/3
N	1080 x 390 x 2,5	1	2/3
O	1096 x 396 x 16	1	2/3
S	862 x 395 x 4	1	2/3

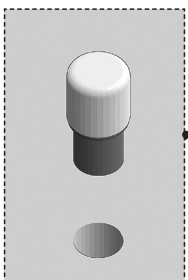
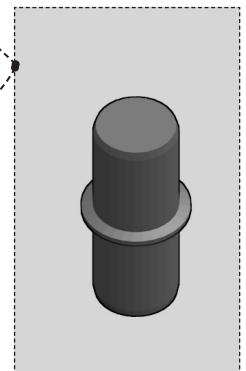
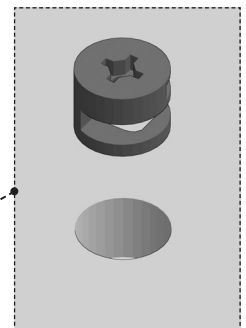
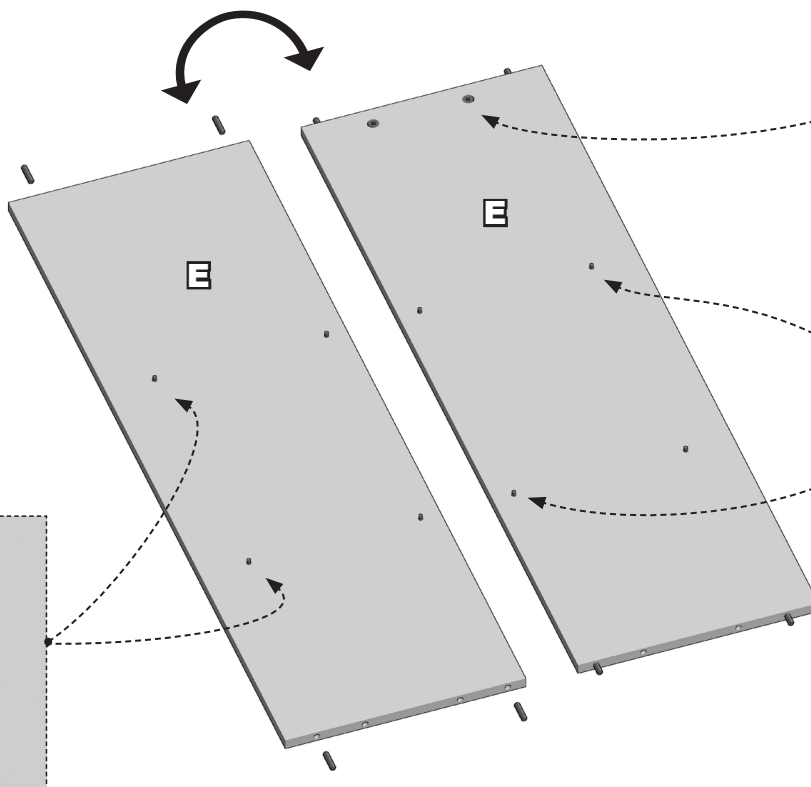
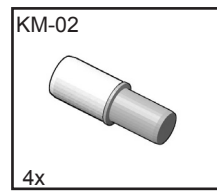
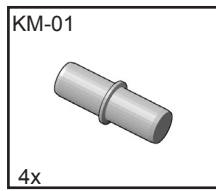
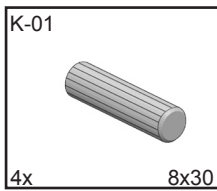
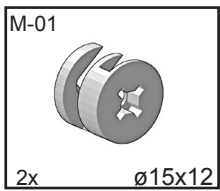
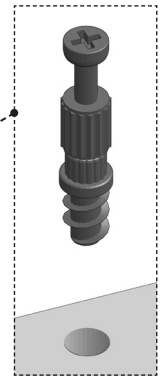
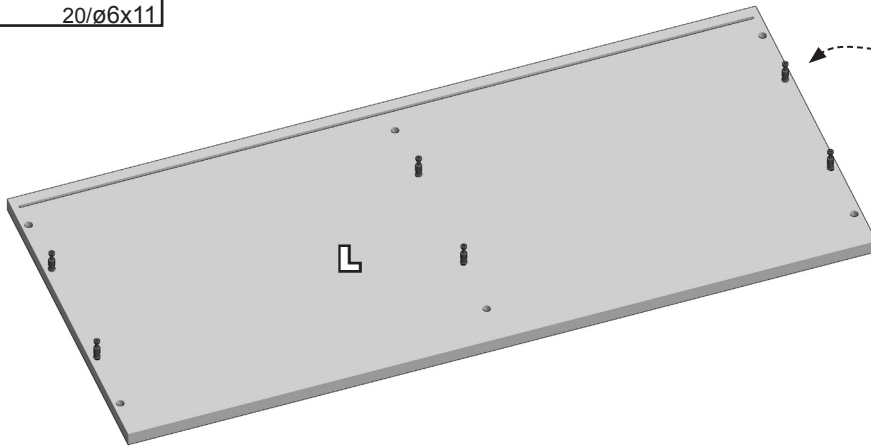
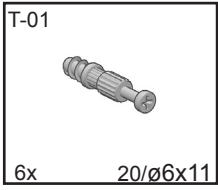
DIANA

DIANA 11062016



DIANA

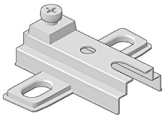
DIANA 11062016



DIANA

DIANA 11062016

ZP-06



5x

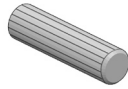
WE-01



10x

6.3x13

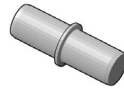
K-01



8x

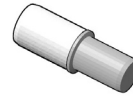
8x30

KM-01



4x

KM-02



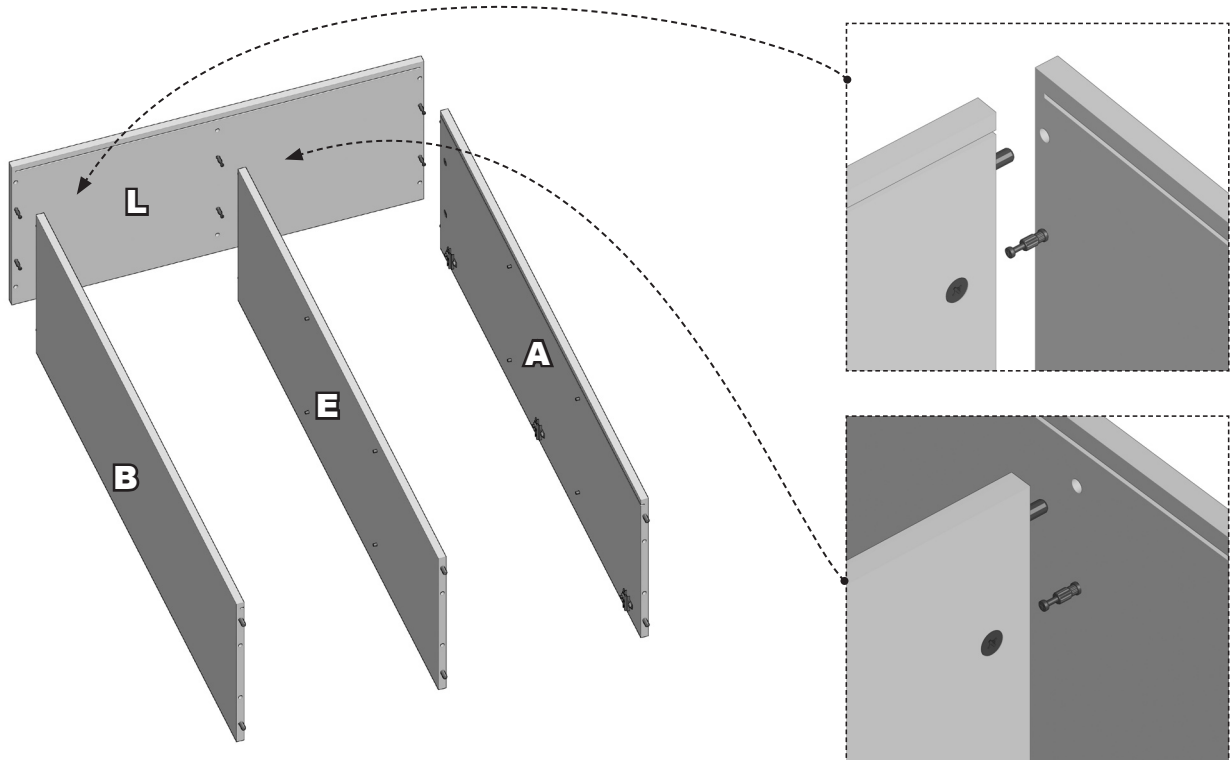
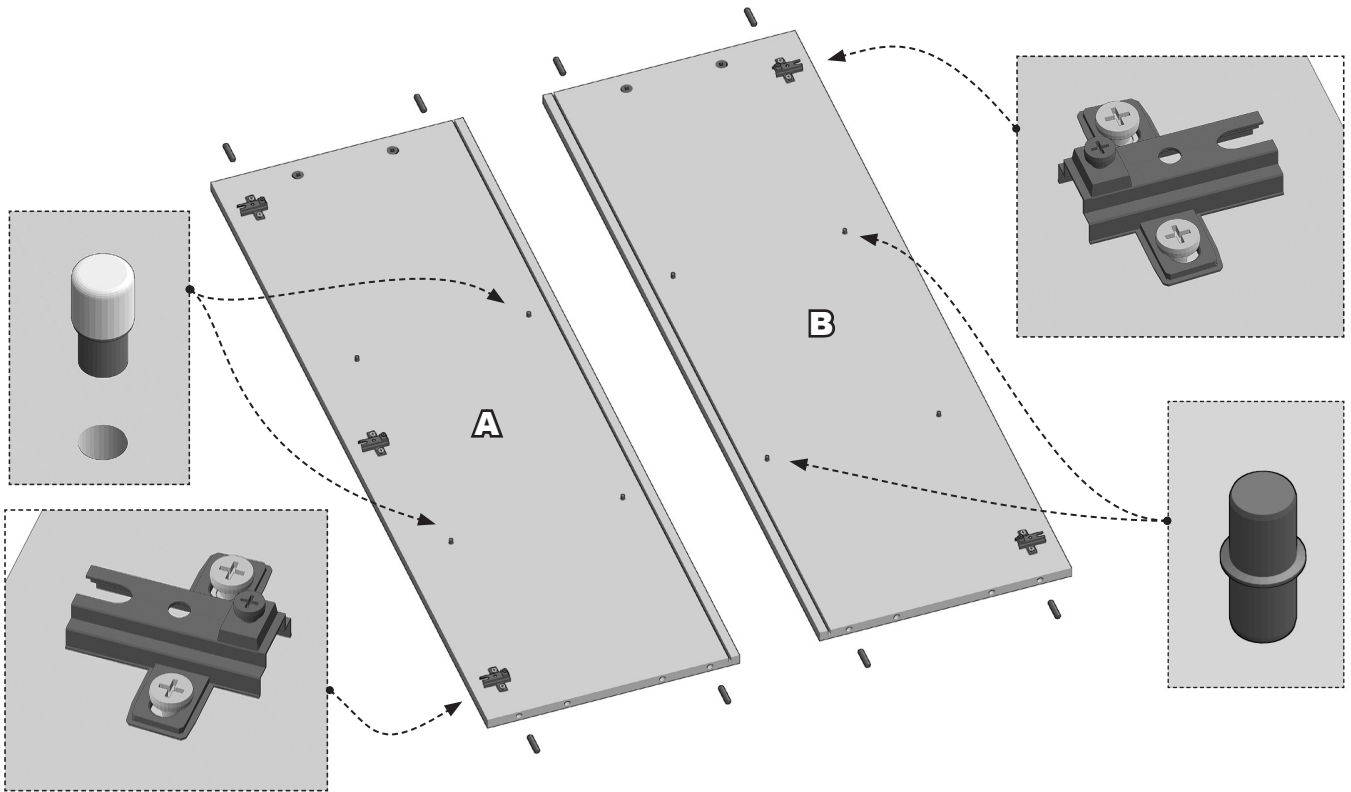
4x

M-01



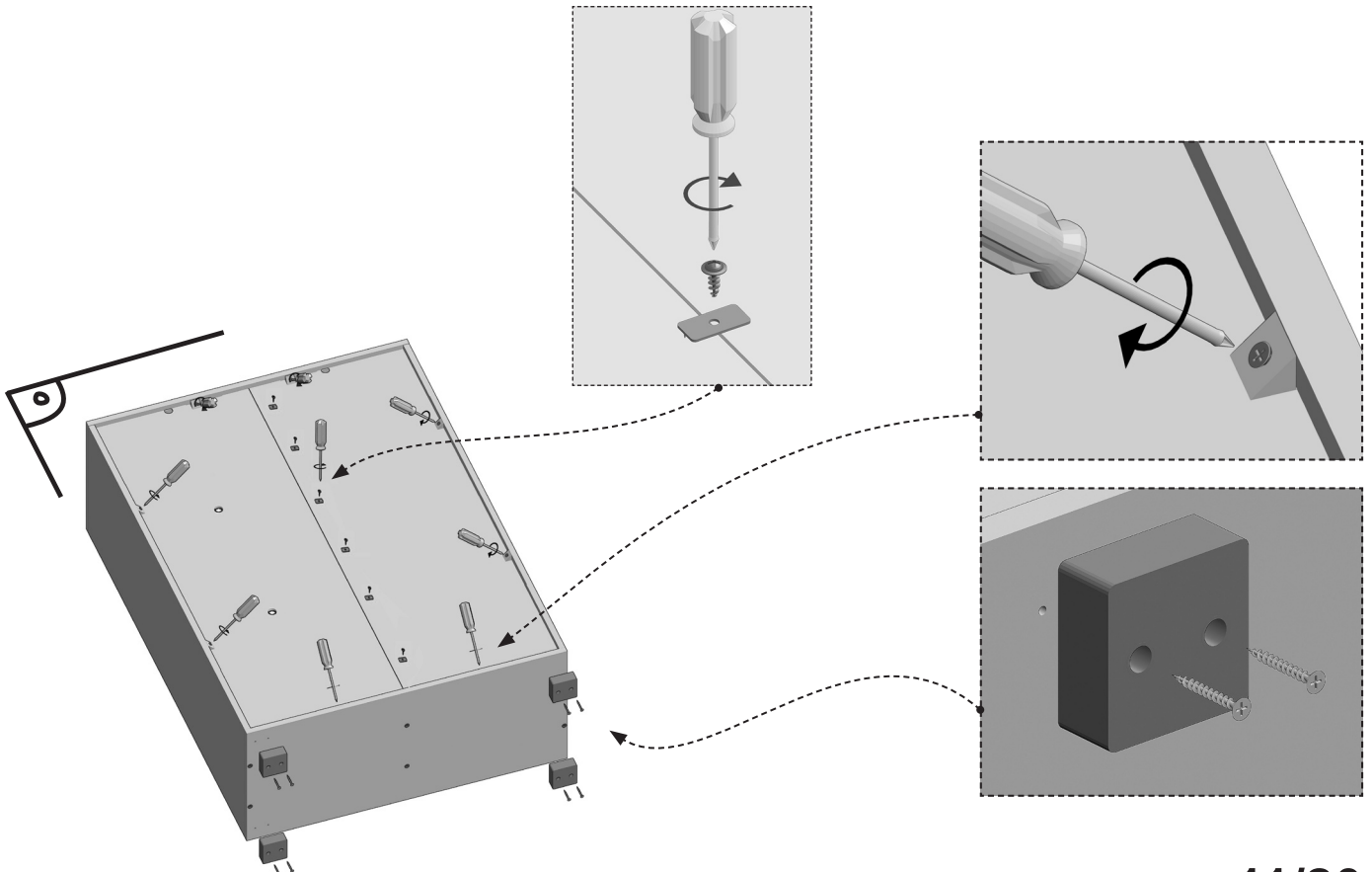
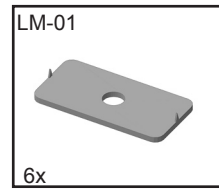
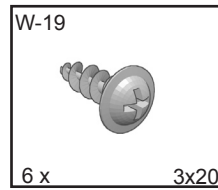
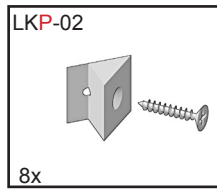
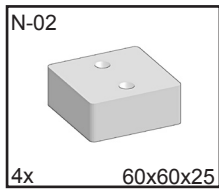
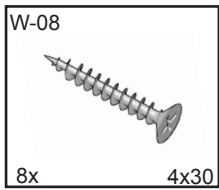
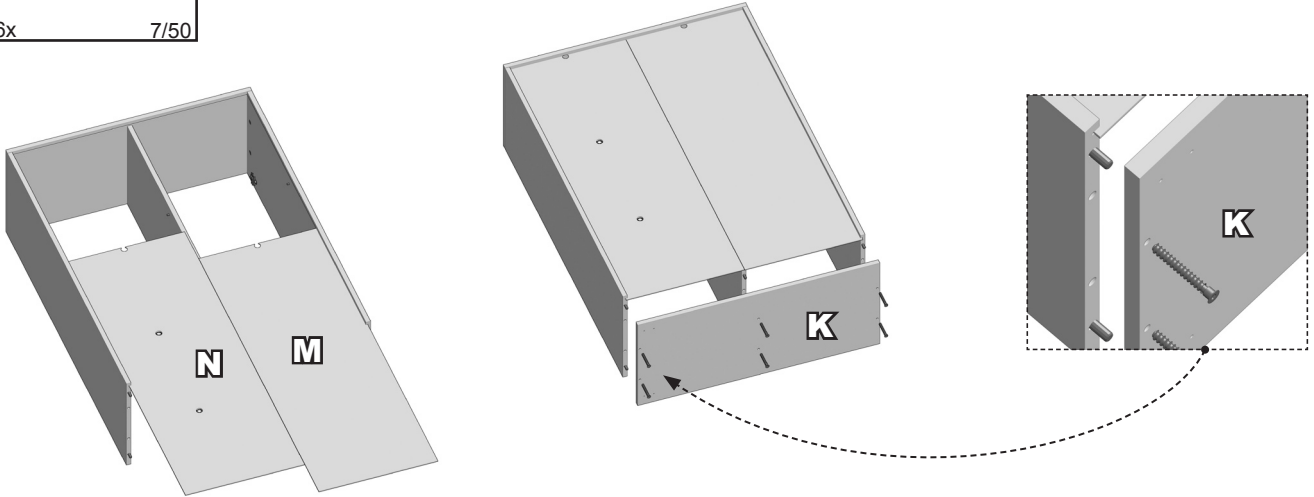
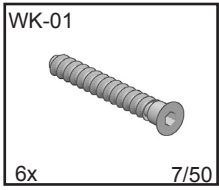
4x

ø15x12



DIANA

DIANA 11062016

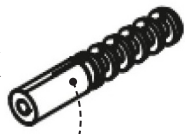


DIANA

DIANA 11062016



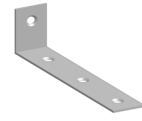
2 x



2 x



L-05



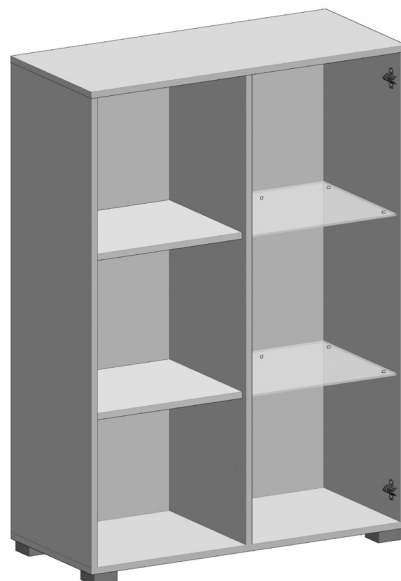
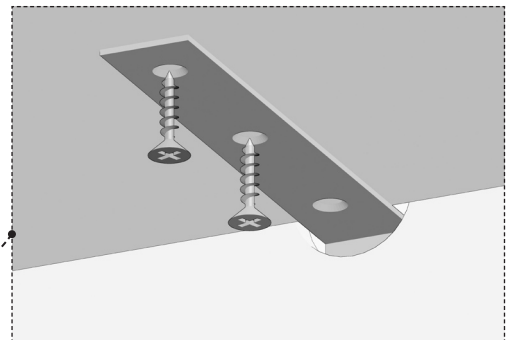
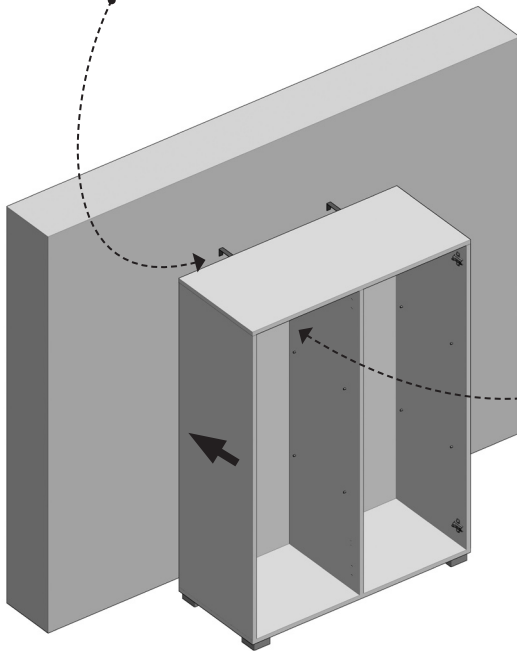
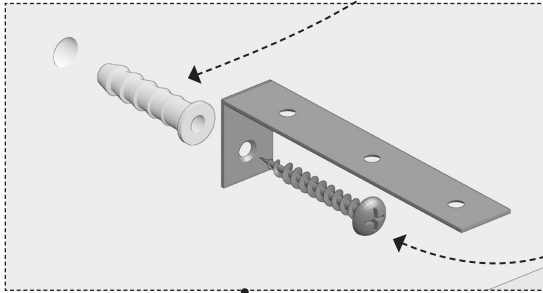
2x

W-23



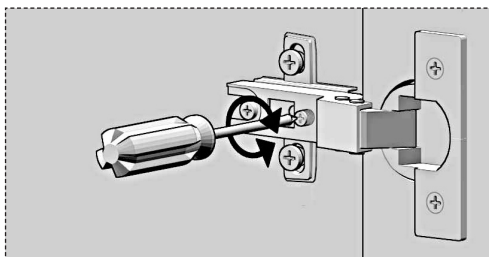
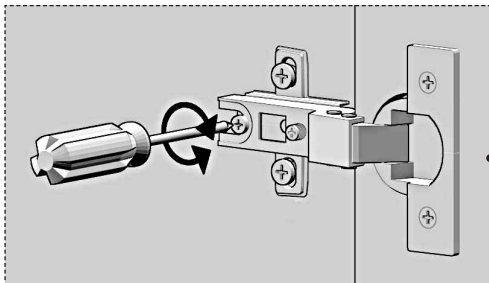
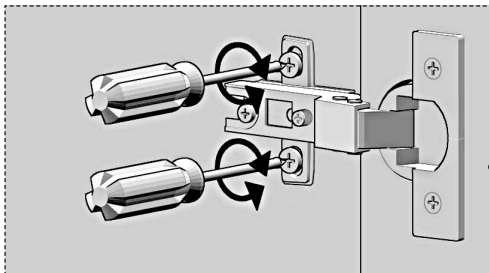
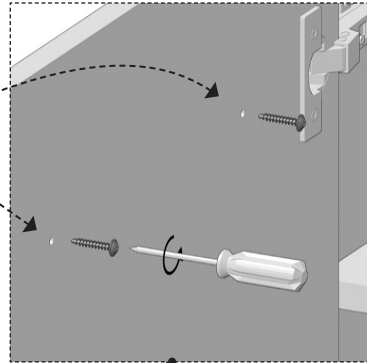
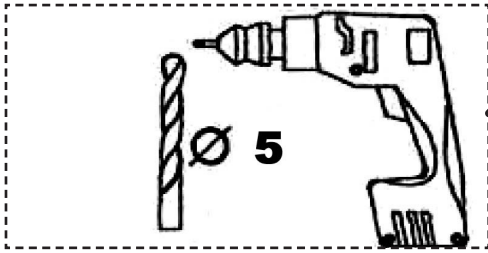
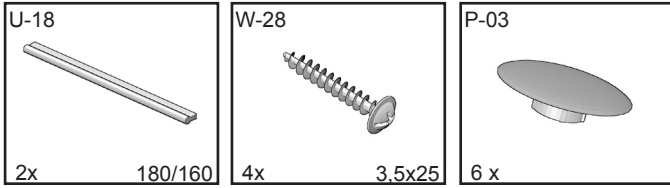
4x

3.5x16



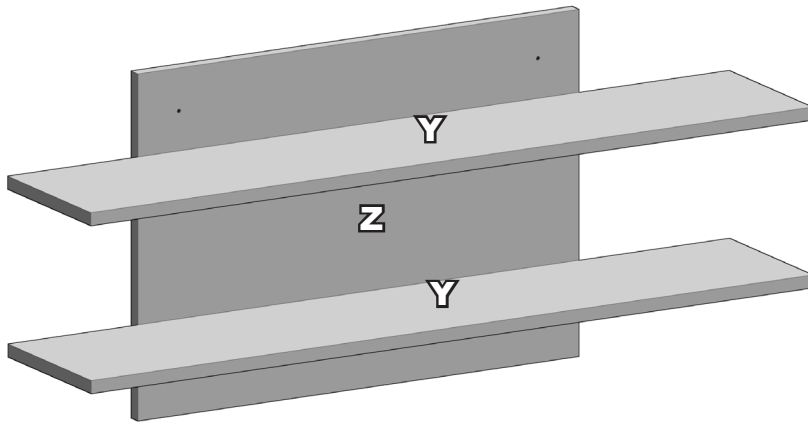
DIANA

DIANA 11062016

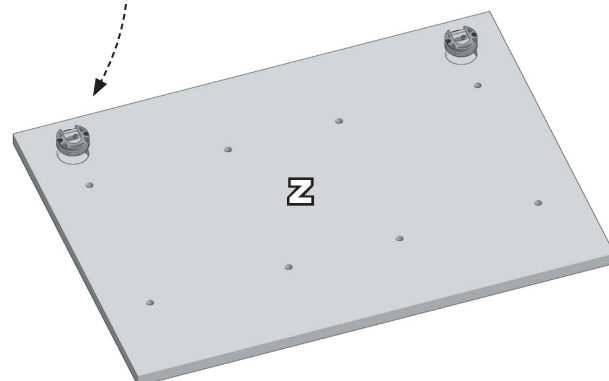
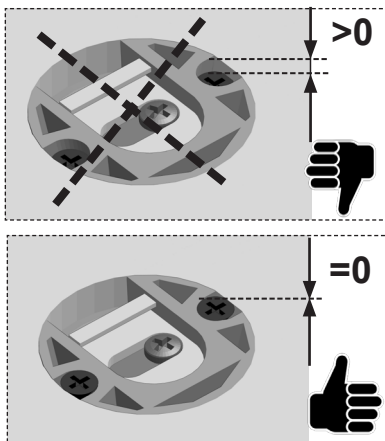
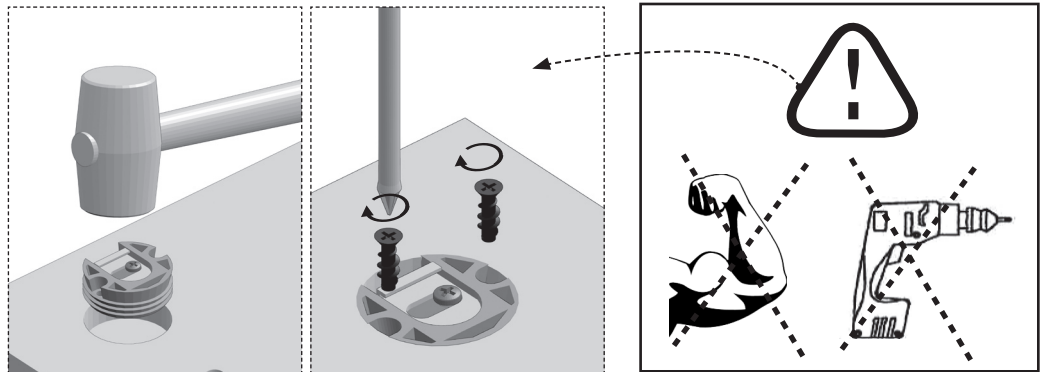
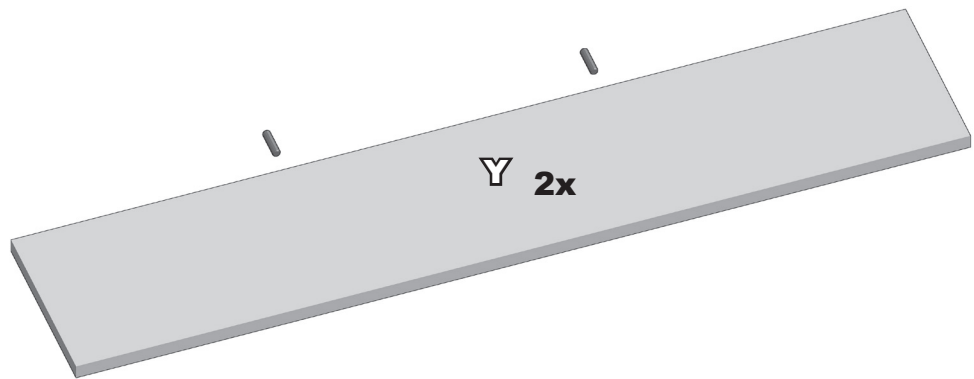
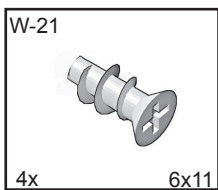
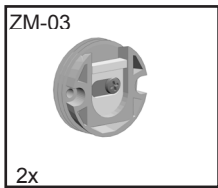
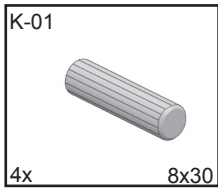


DIANA

DIANA 11062016

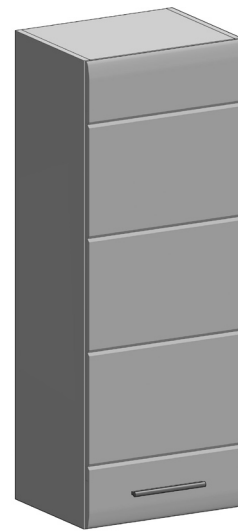
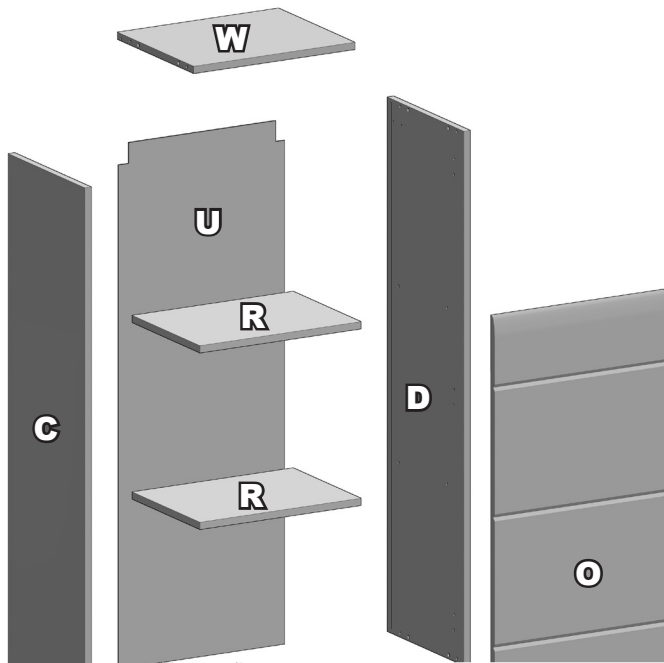
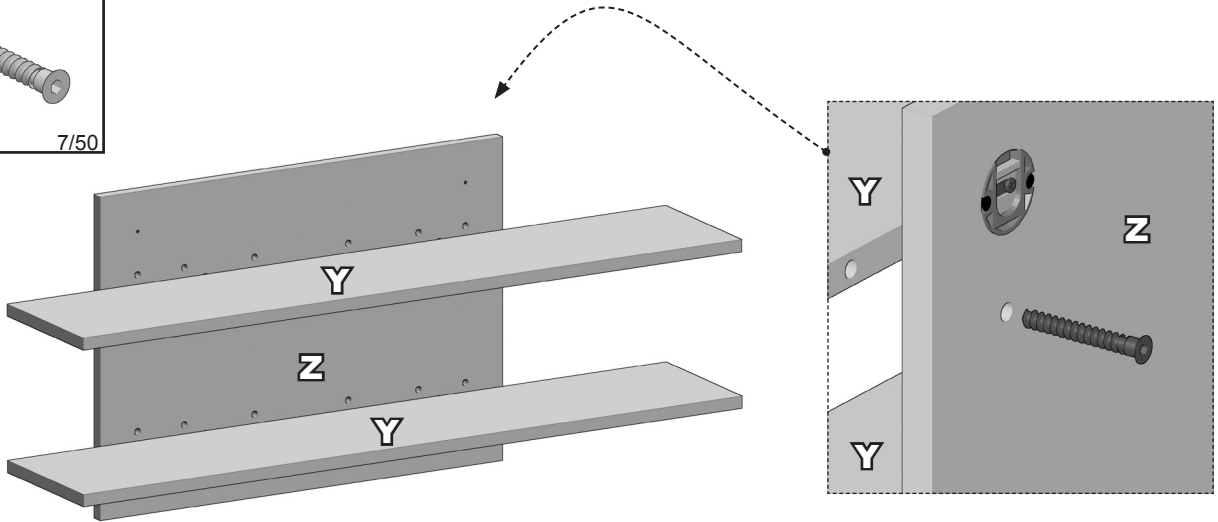
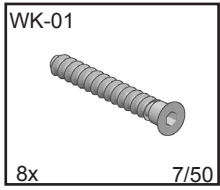


REP	DIM	QTE	package
Y	900 x 180 x 15	2	3/3
Z	550 x 396 x 15	1	3/3

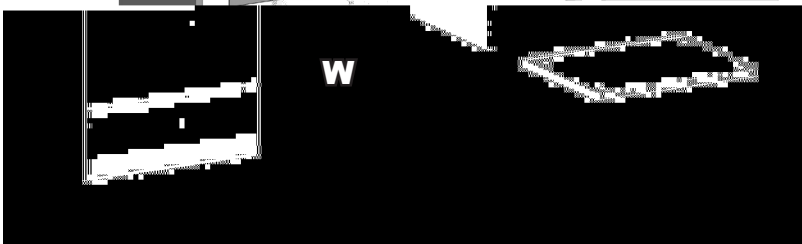


DIANA

DIANA 11062016

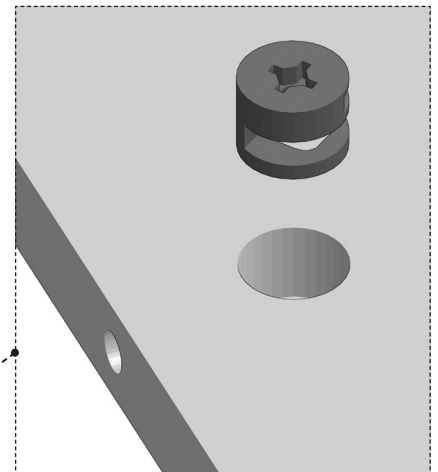
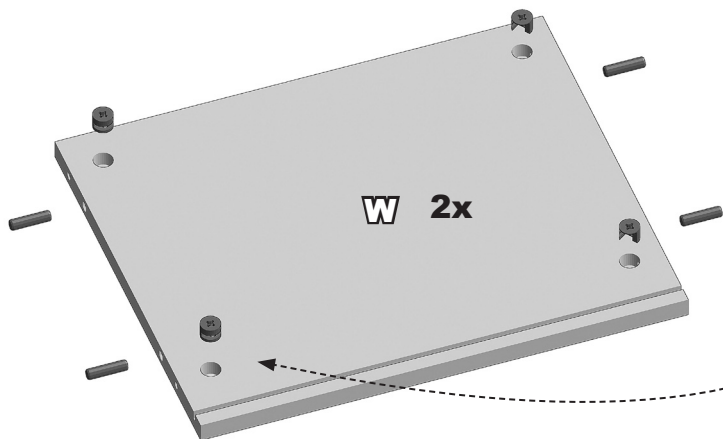
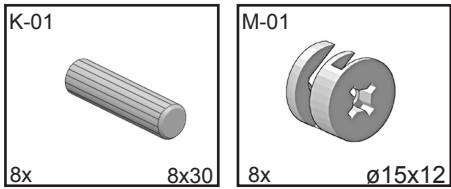
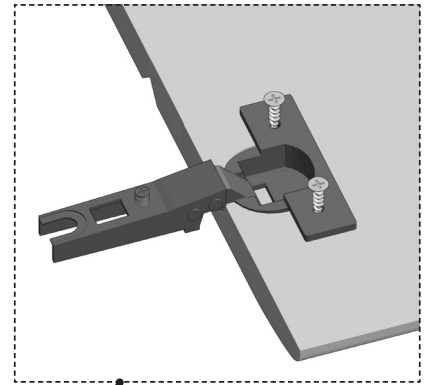
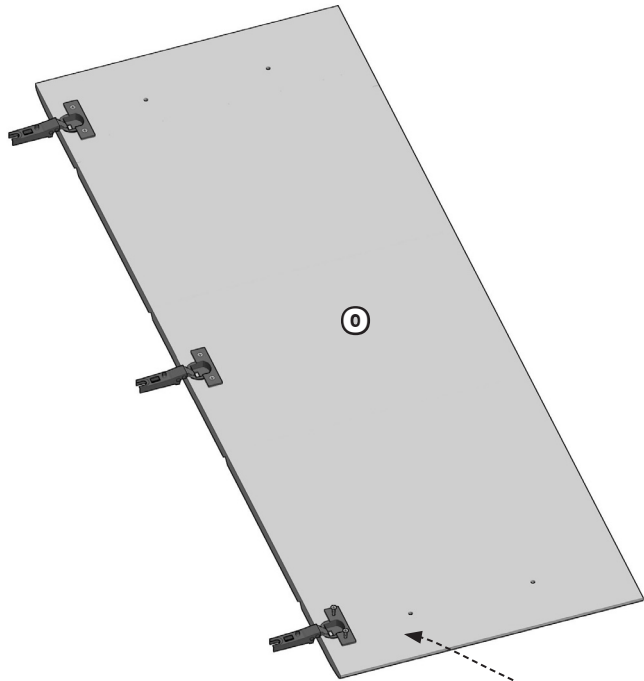
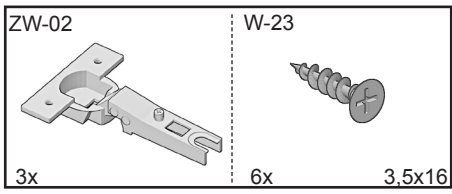


REP	DIM	QTE	package
C	1100 x 285 x 15	1	3/3
D	1100 x 285 x 15	1	3/3
O	1096 x 396 x 16	1	3/3
R	370 x 250 x 15	2	3/3
U	1080 x 381 x 2,5	1	3/3
W	370 x 284 x 15	2	3/3



DIANA

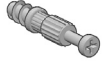
DIANA 11062016



DIANA

DIANA 11062016

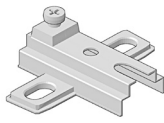
T-01



8x

20/ø6x11

ZP-06



3x

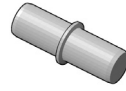
WE-01



6x

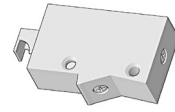
6.3x13

KM-01



8x

ZM-01



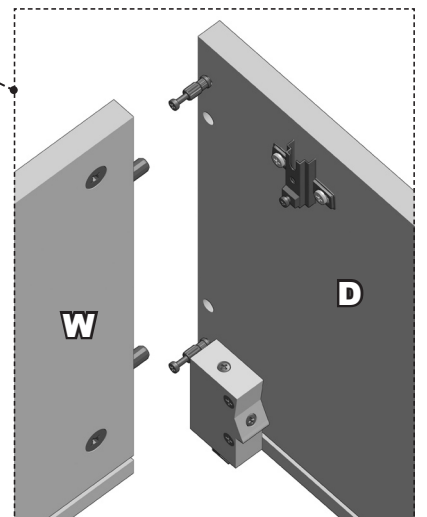
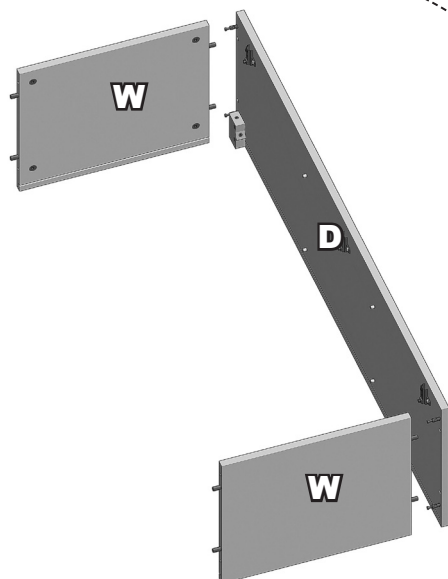
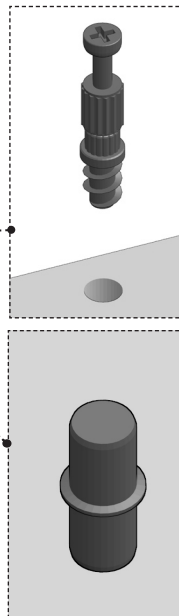
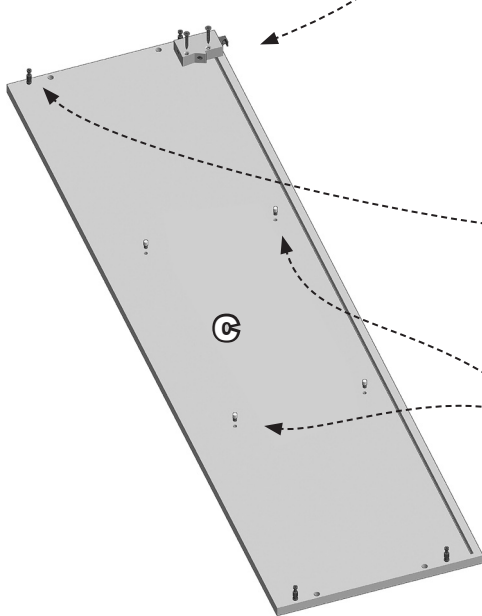
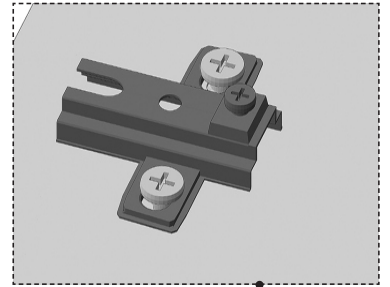
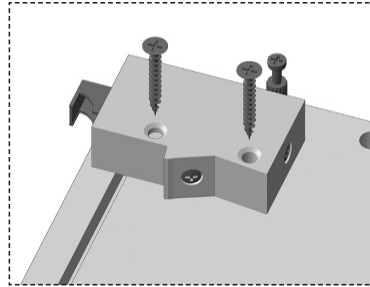
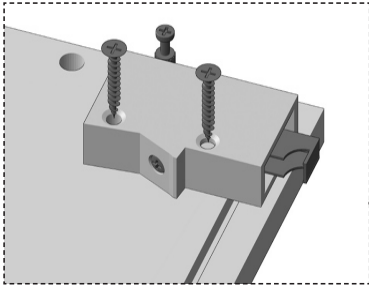
2x

W-08



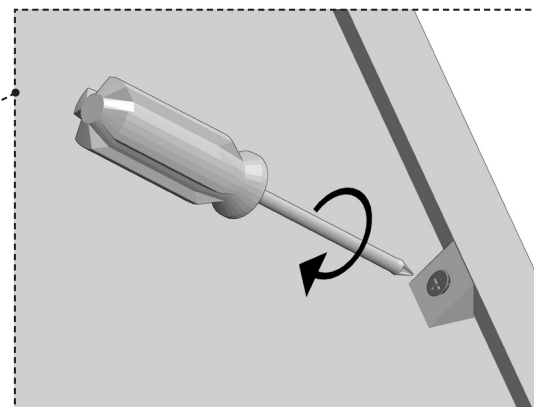
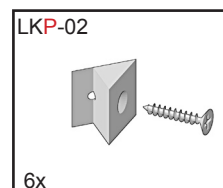
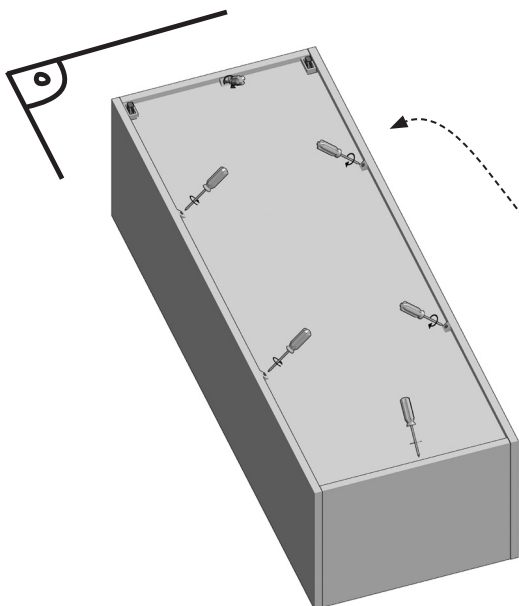
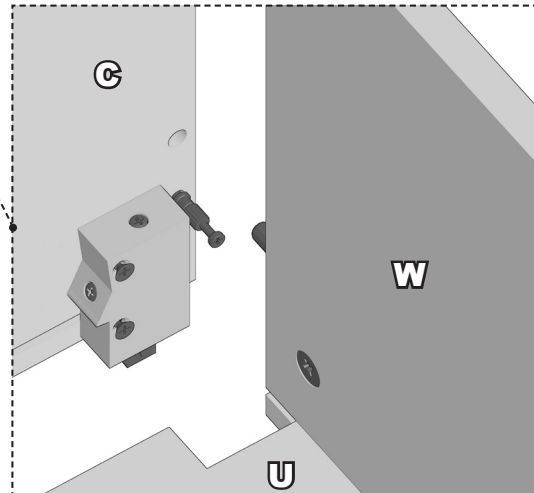
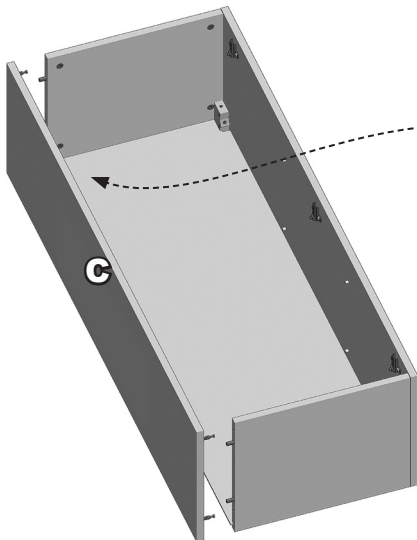
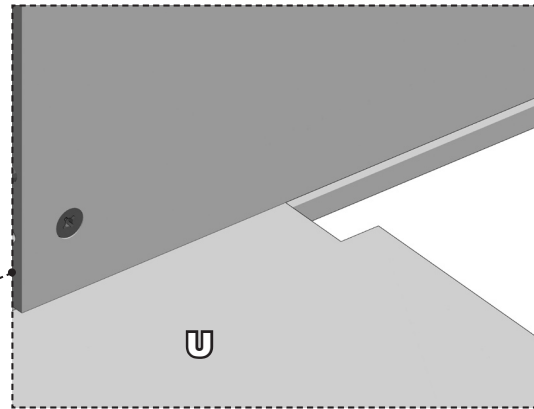
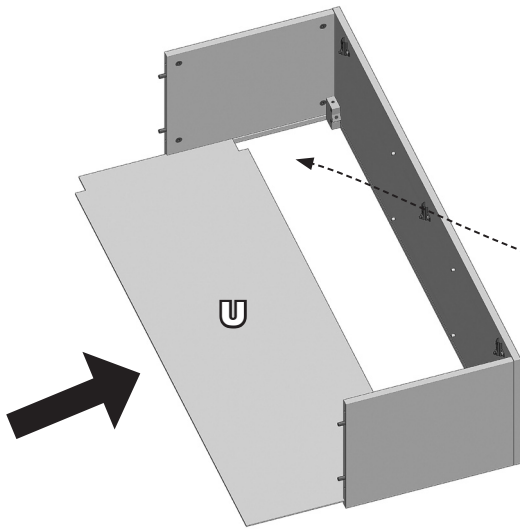
4x

4x30



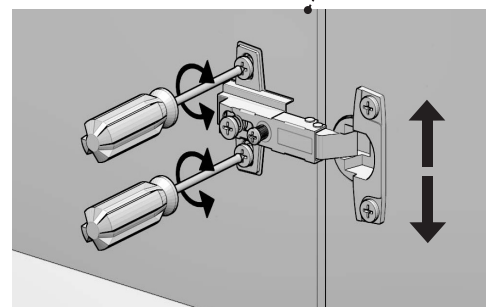
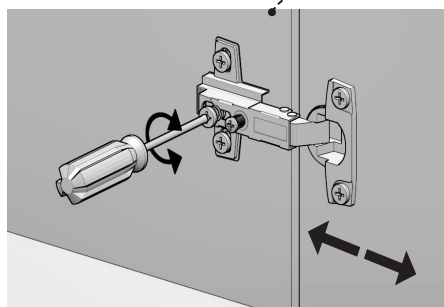
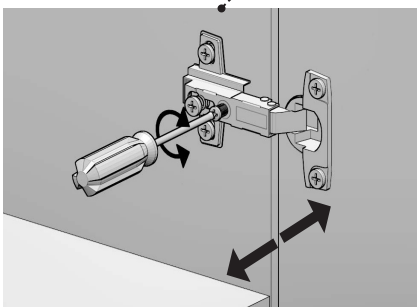
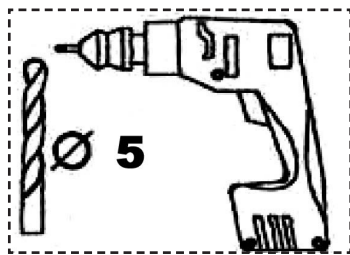
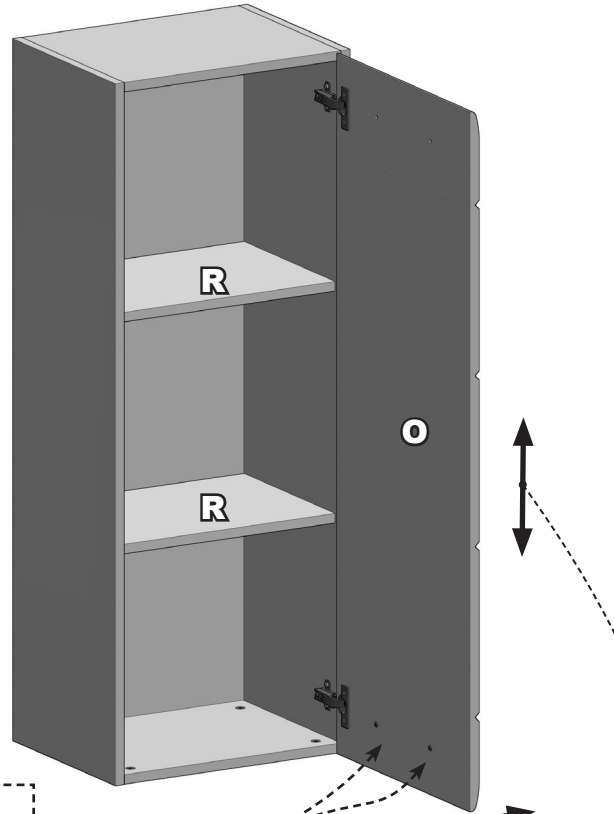
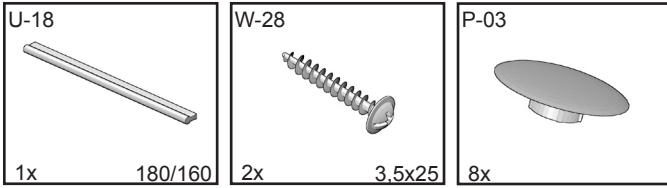
DIANA

DIANA 11062016



DIANA

DIANA 11062016



DIANA

DIANA 11062016



4 x



4 x

