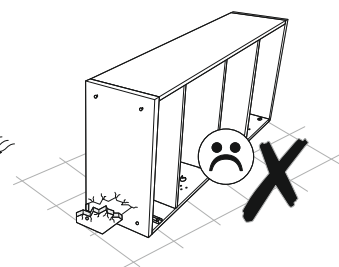
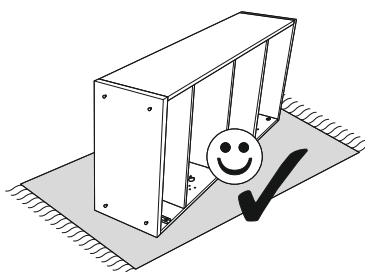
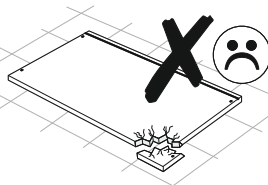
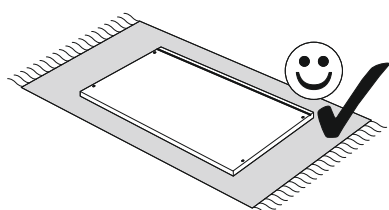
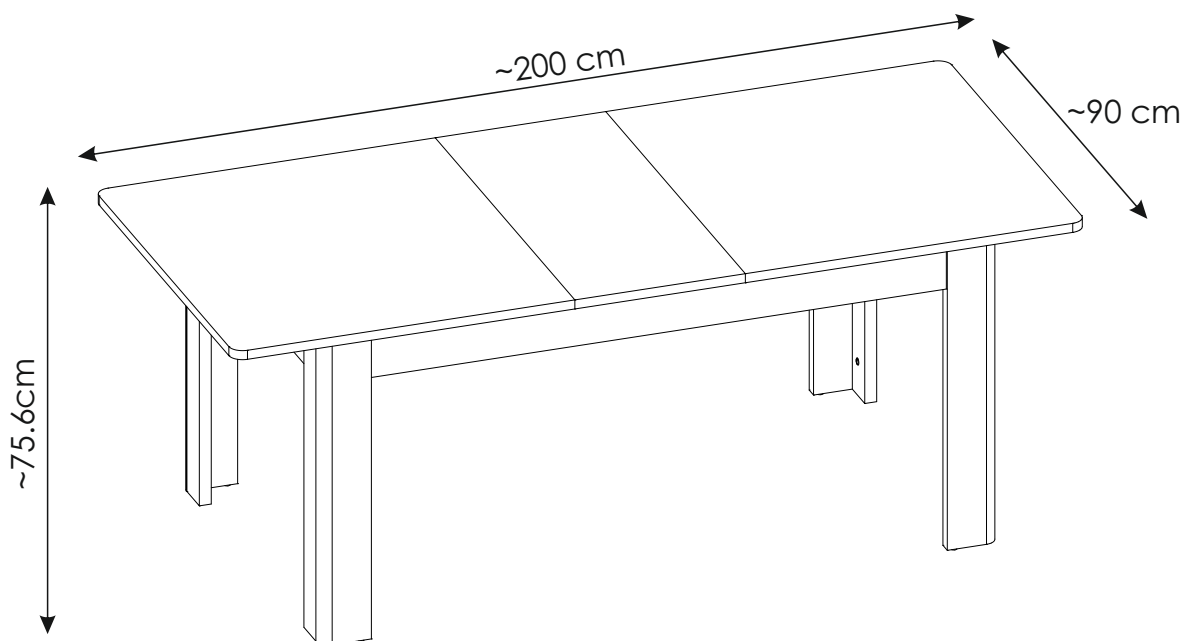
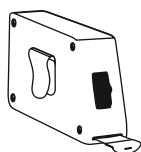
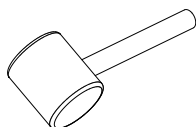
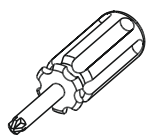
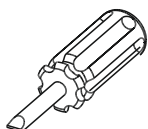
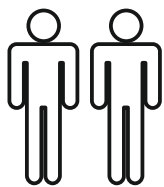
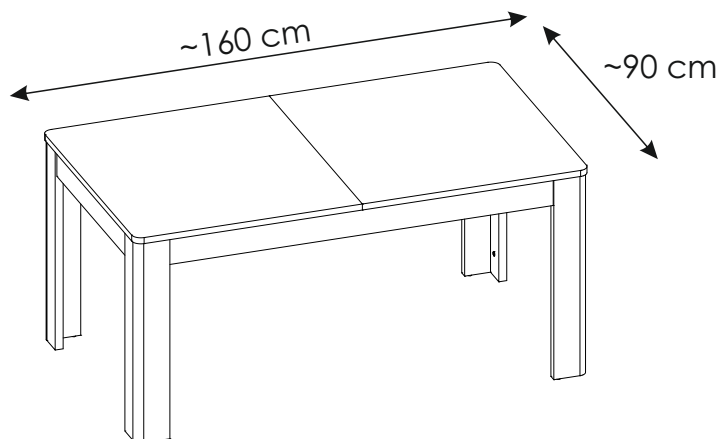
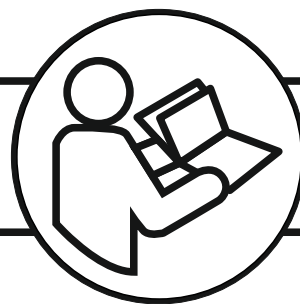
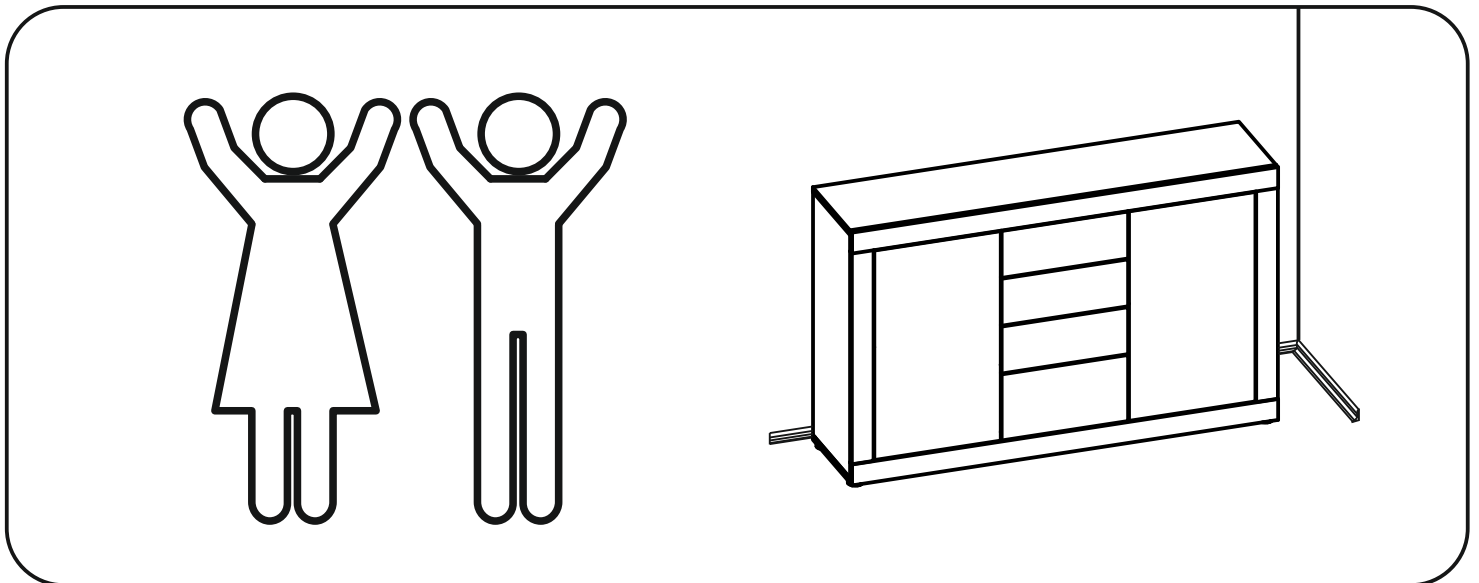
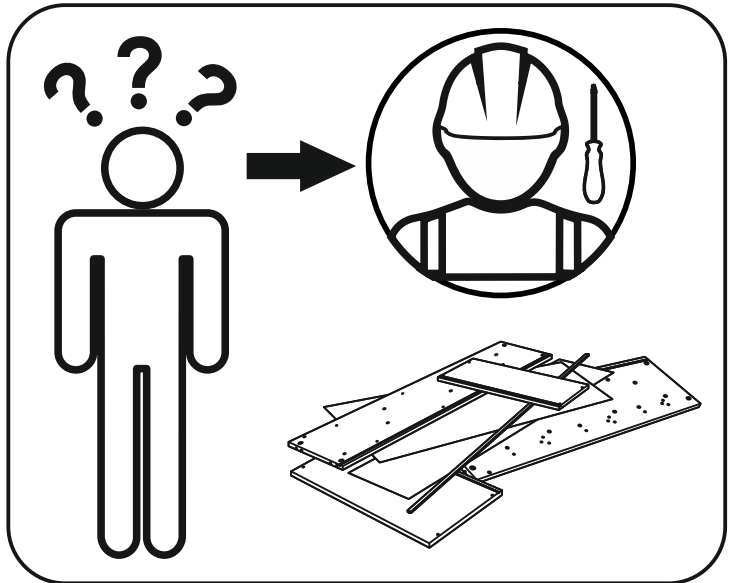
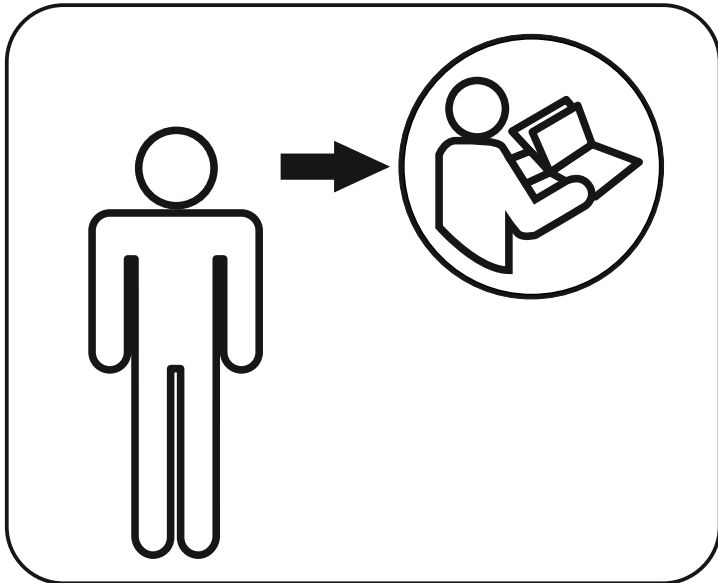
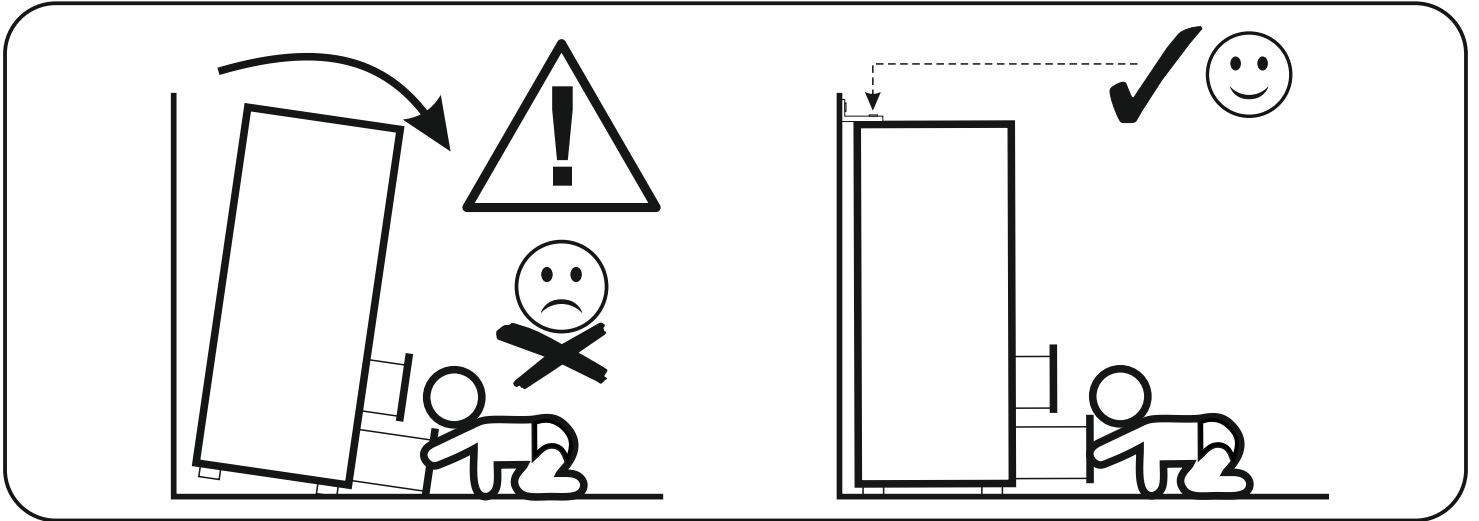
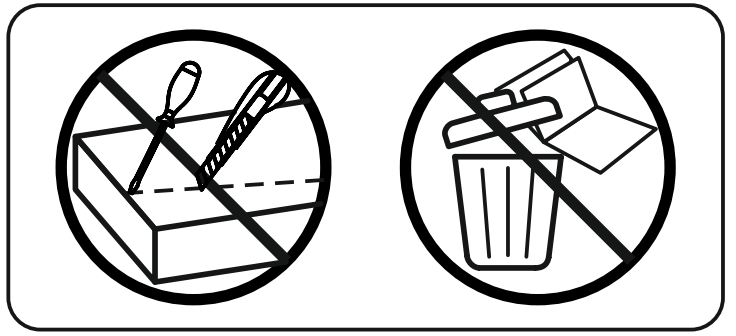
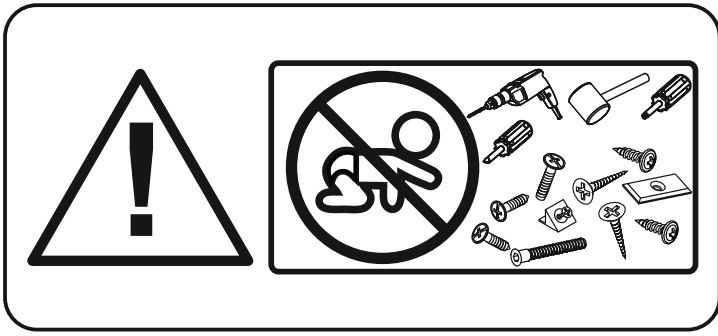
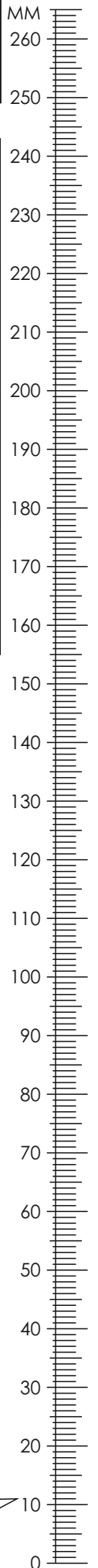


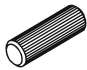

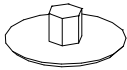

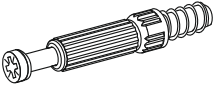
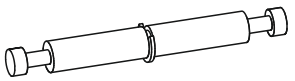
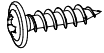



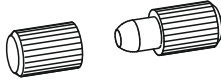
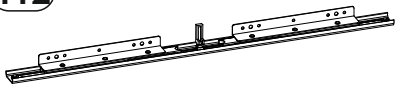
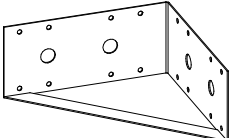
VNNT04

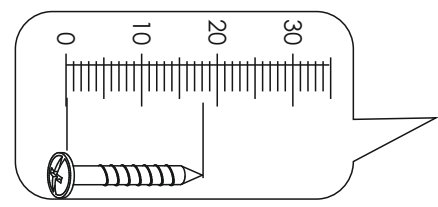




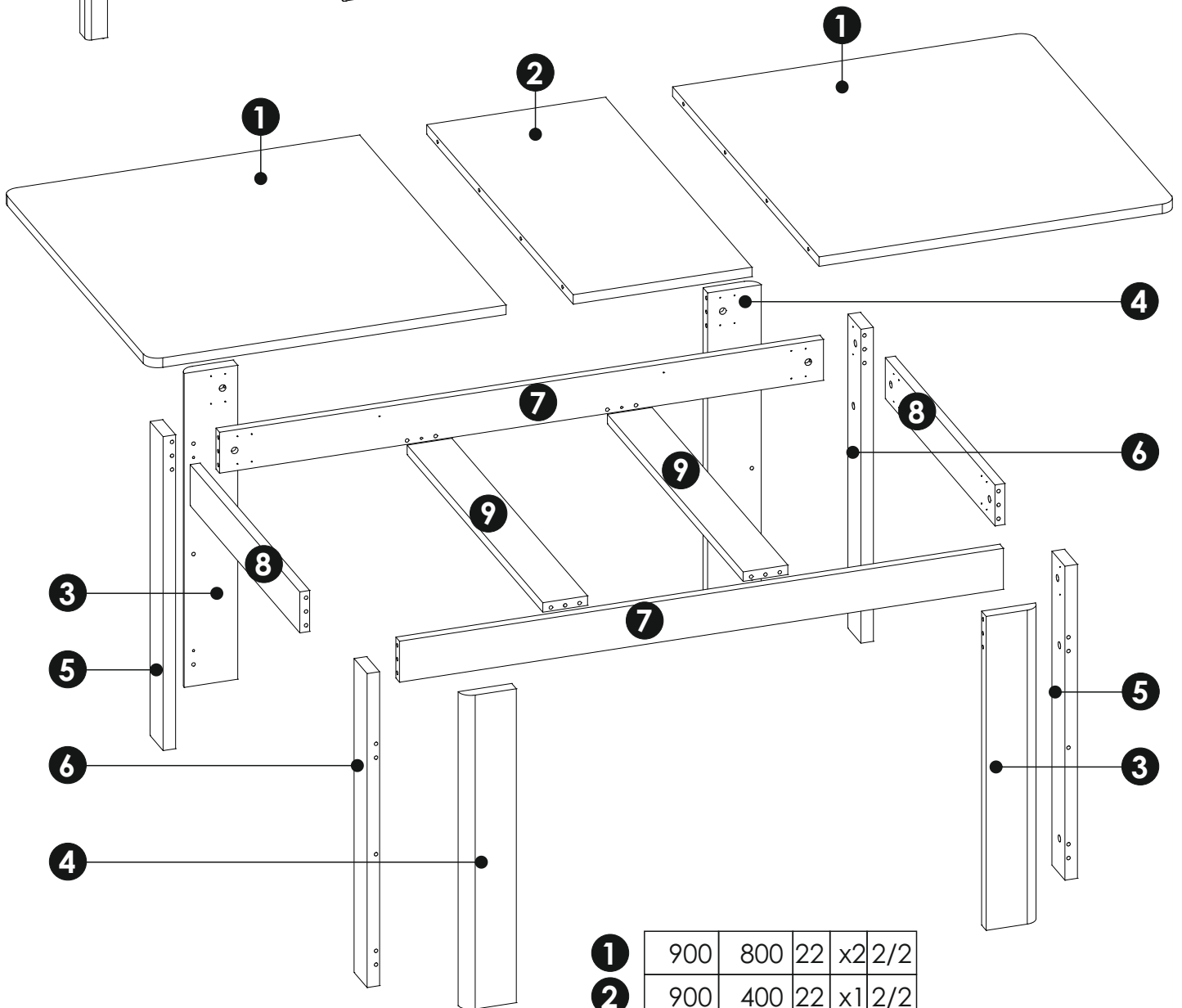
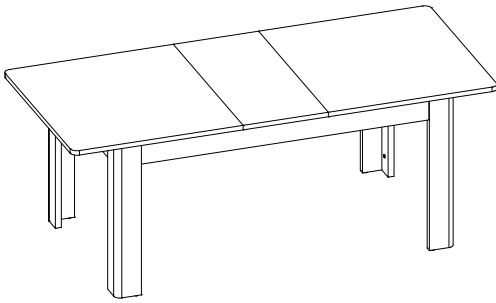
VNNT04



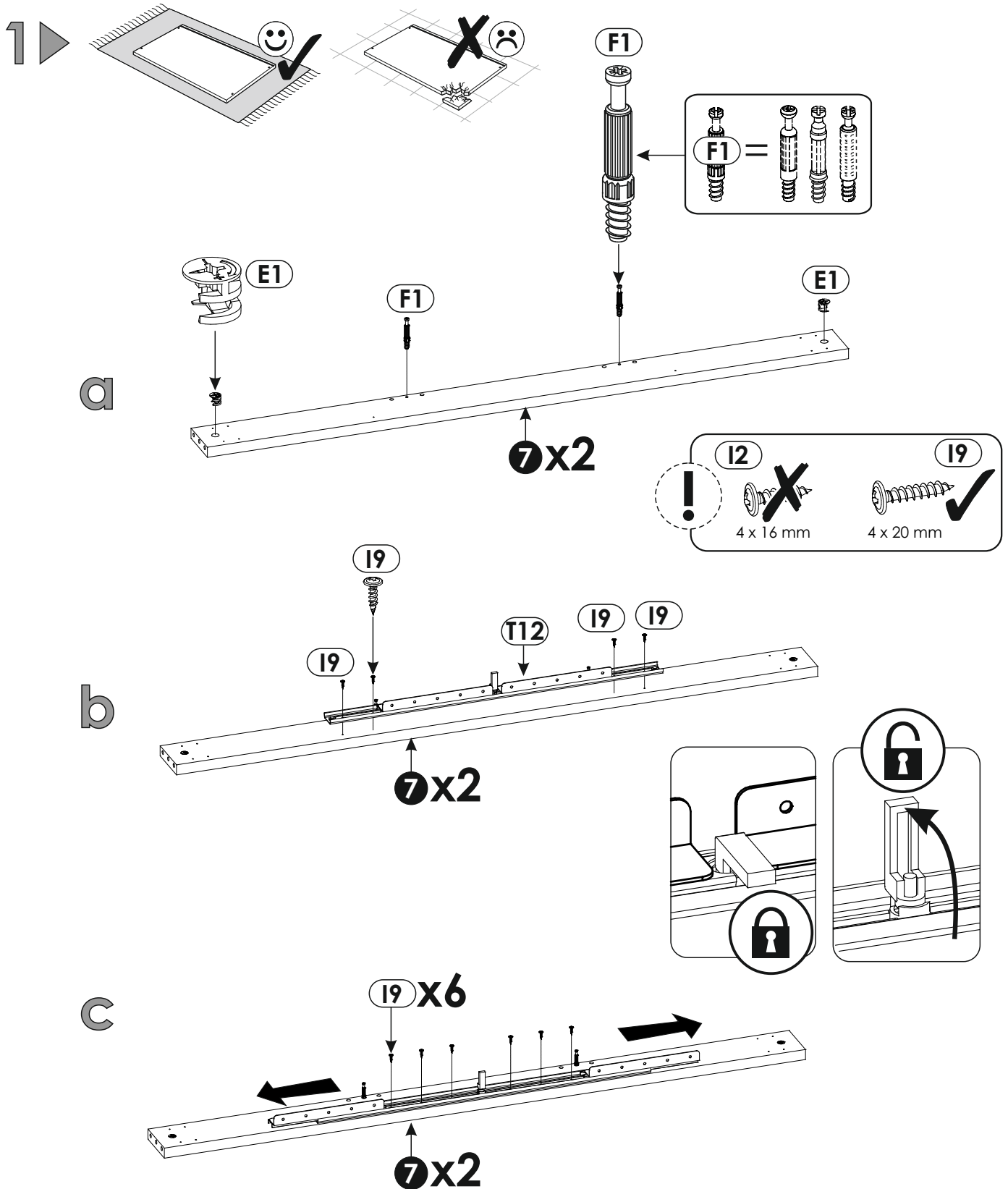
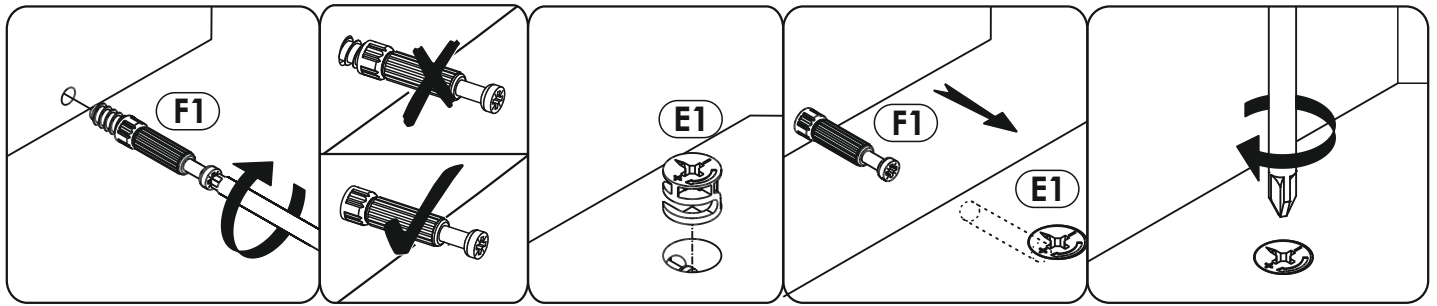
A1 8 x 35 mm x20 	A2 8 x 45 mm x16 	E0 Ø16 x8 
E1 15 x 12 mm x28 	F1 6 x 34 mm x12 	F3 7 x 64 mm x8 
I2 4 x 16 mm x64 	I9 4 x 20 mm x40 	O2 x8 
O2A ø20 x8 	R8 x8 	T12 L - 700 mm x2 
W9 x4 		



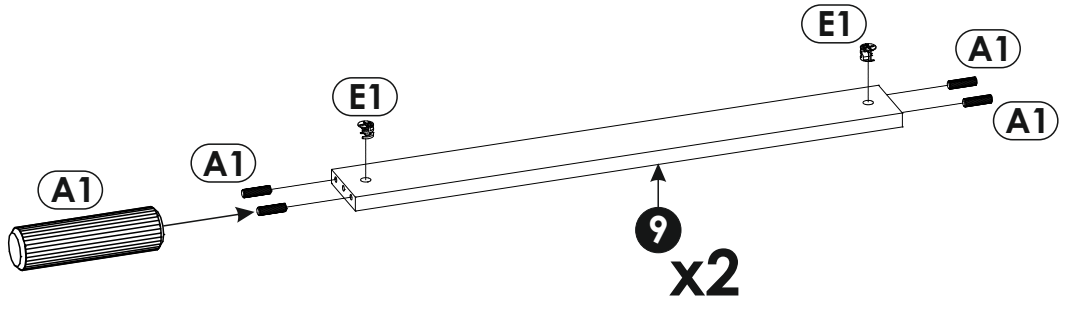
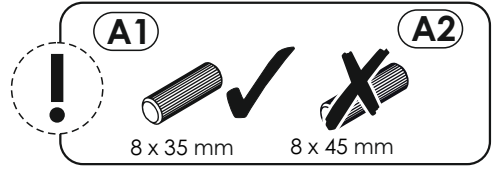
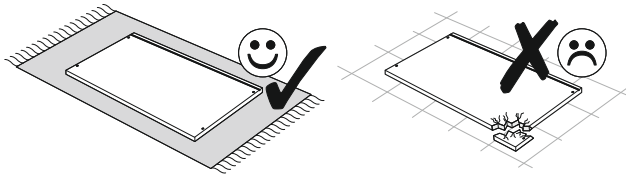
VNNT04



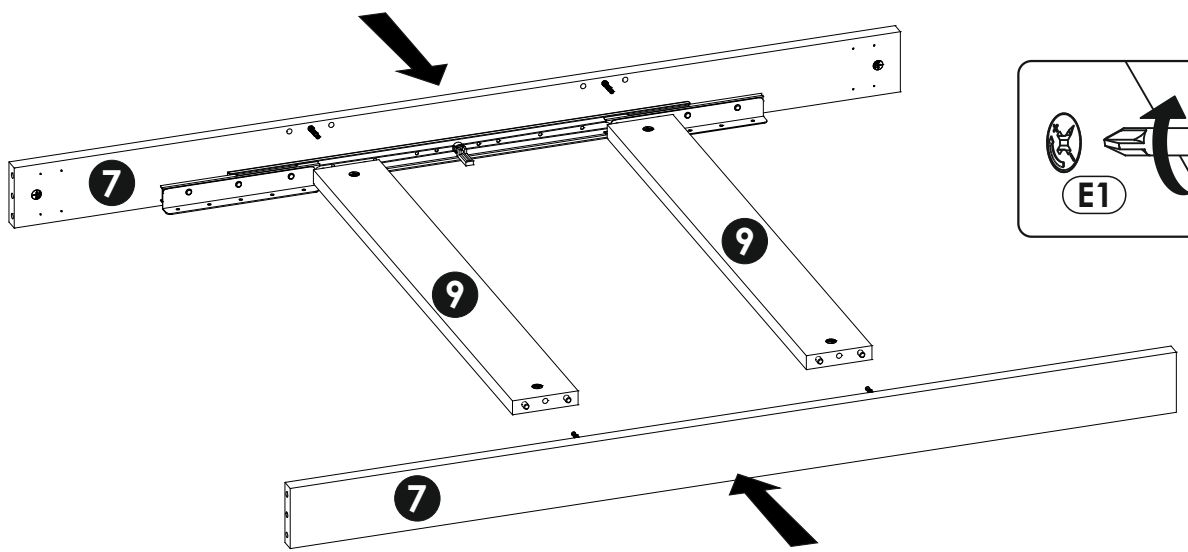
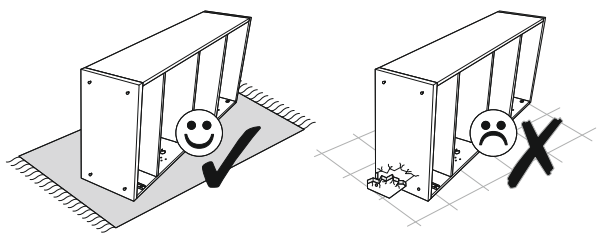
1	900	800	22	x2	2/2
2	900	400	22	x1	2/2
3	728	120	28	x2	1/2
4	728	120	28	x2	1/2
5	728	80	28	x2	1/2
6	728	80	28	x2	1/2
7	1350	95	22	x2	1/2
8	674	95	22	x2	1/2
9	834	100	22	x2	2/2



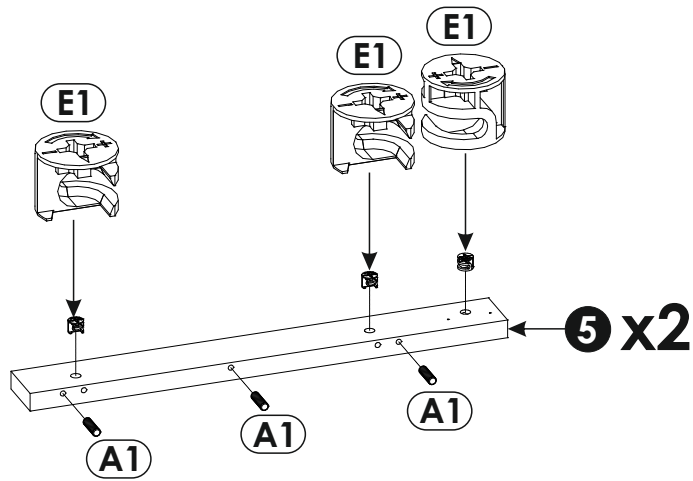
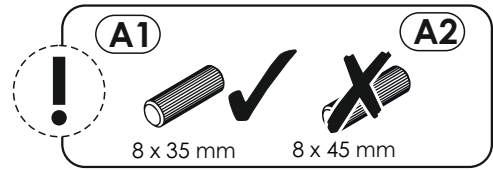
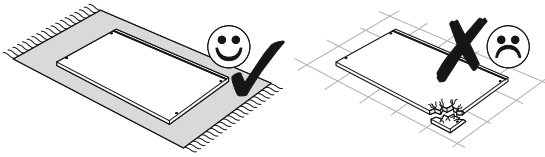
2 ▶



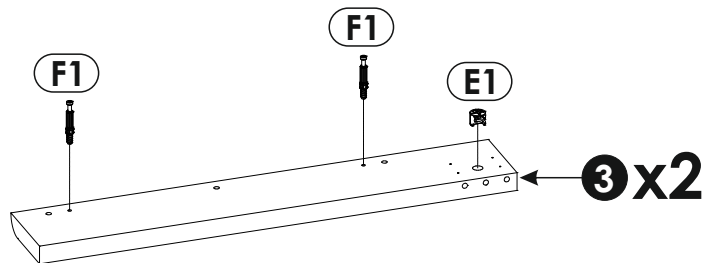
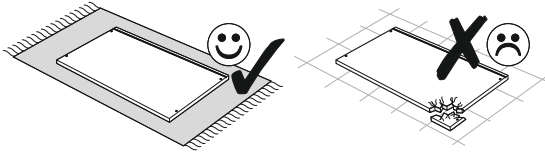
3 ▶

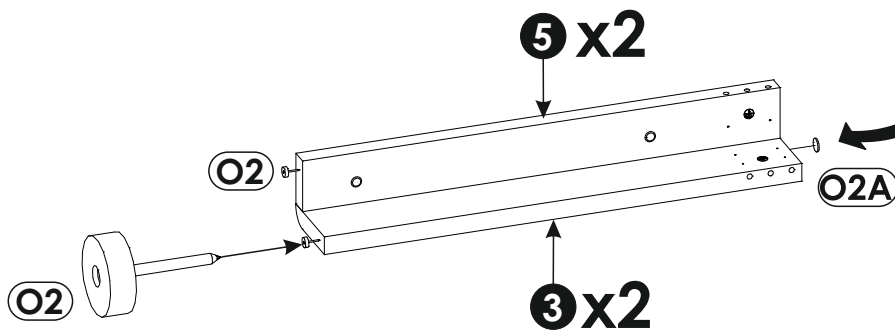
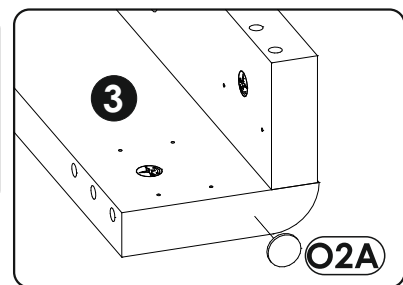
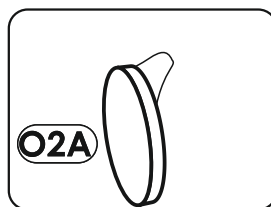
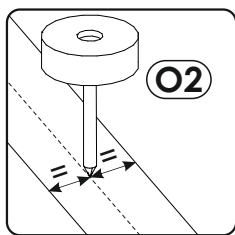
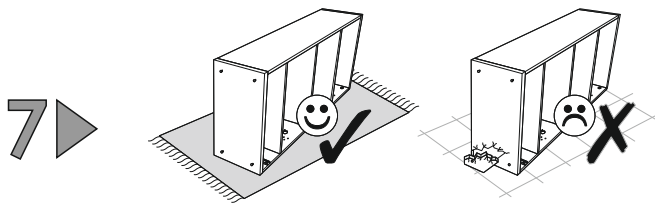
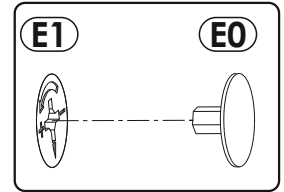
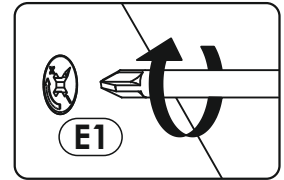
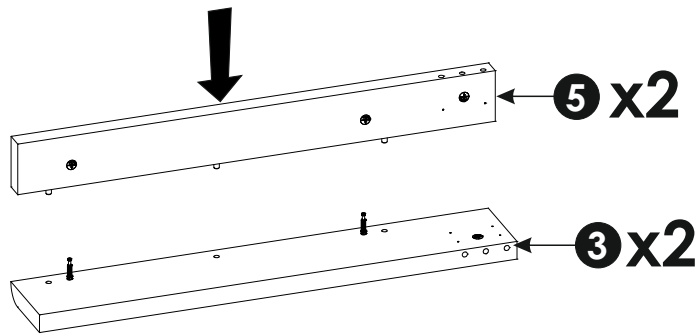
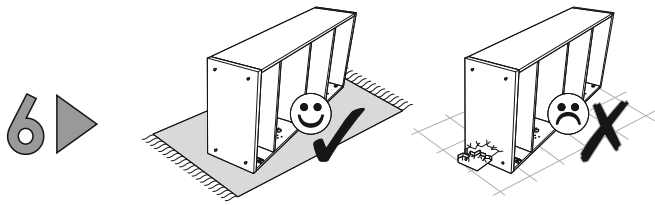


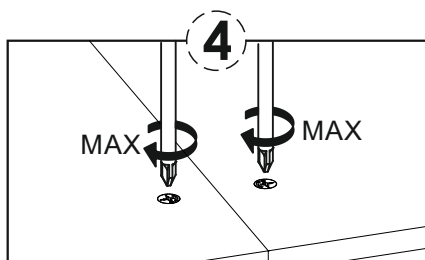
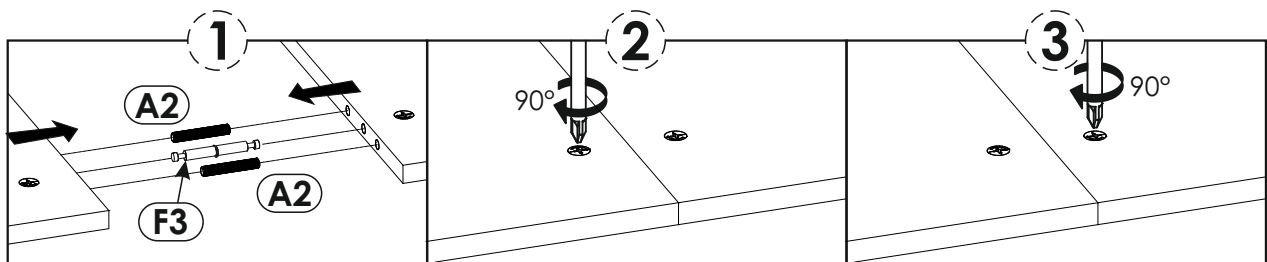
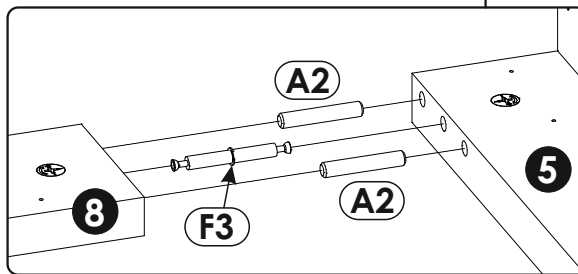
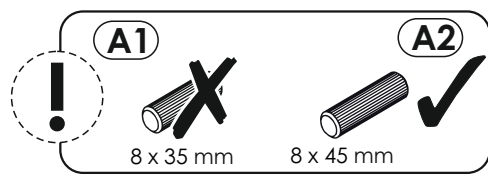
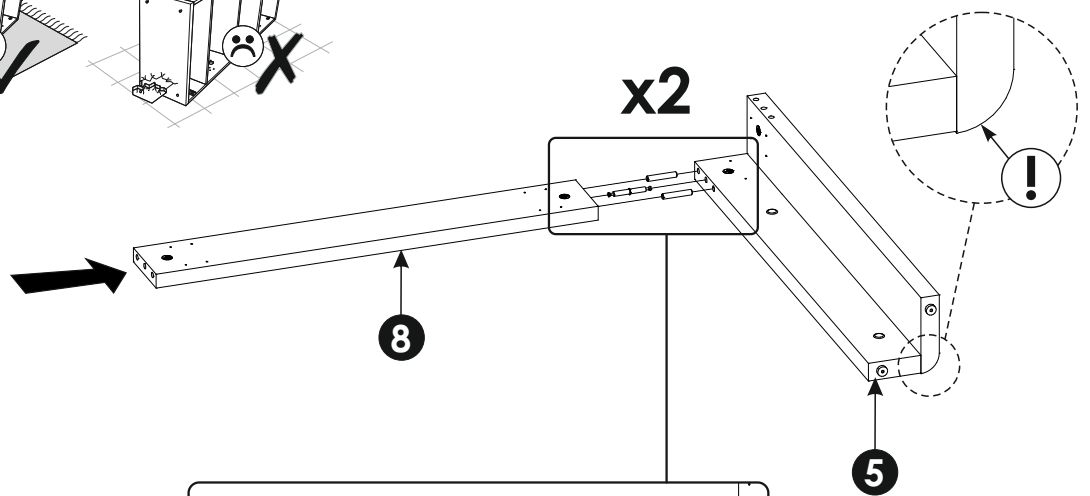
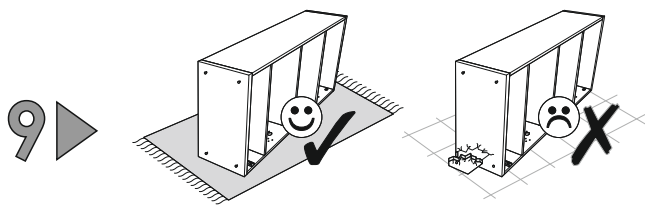
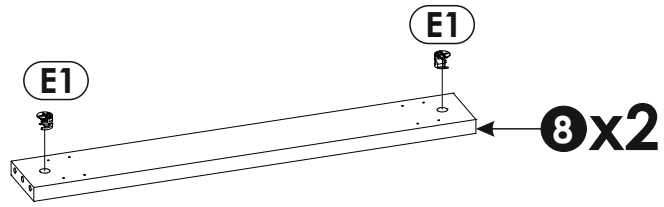
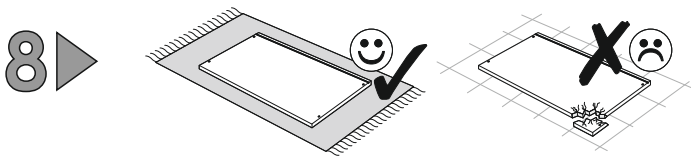
4 ▶



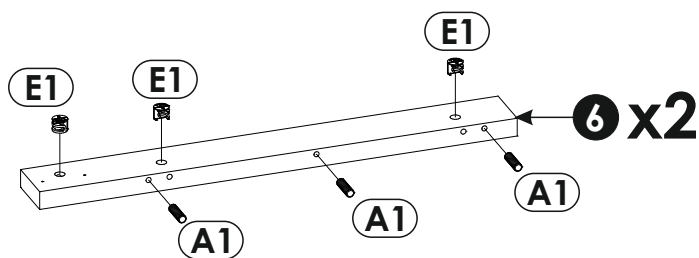
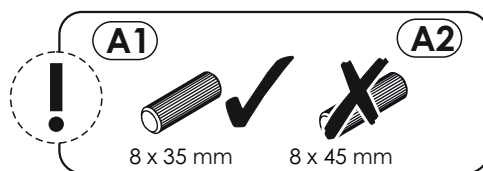
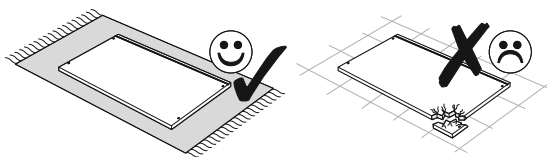
5 ▶



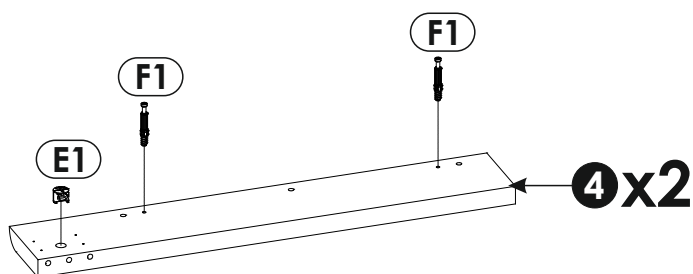
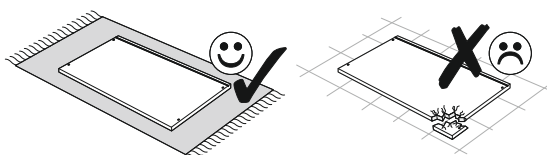




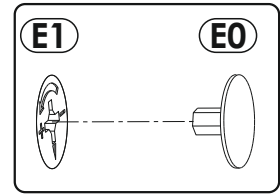
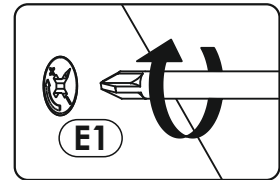
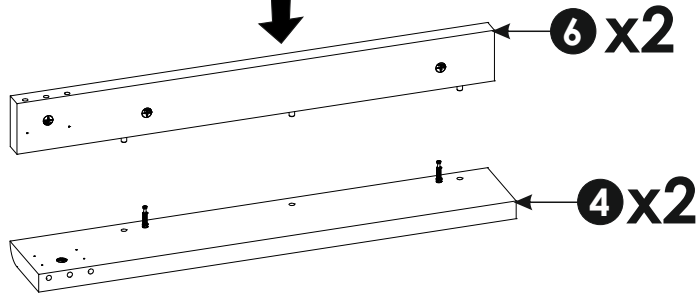
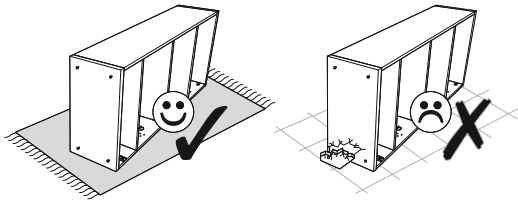
10 ▶



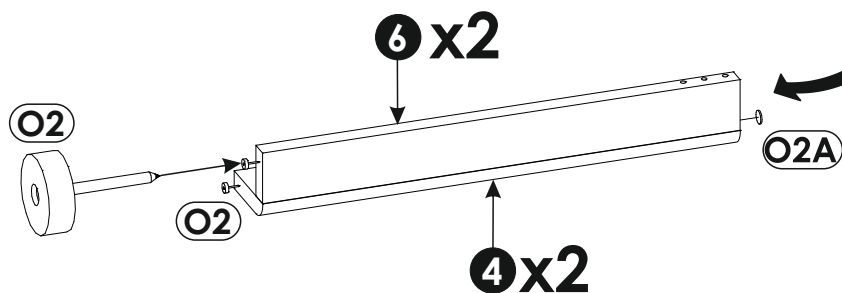
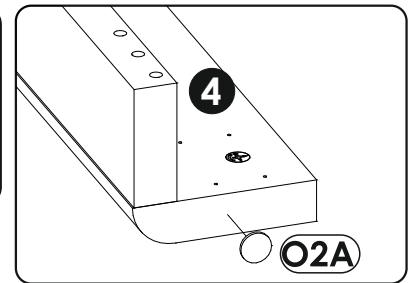
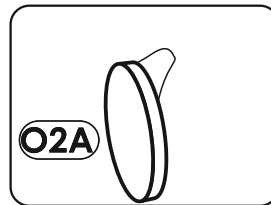
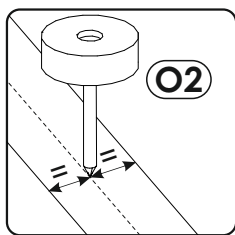
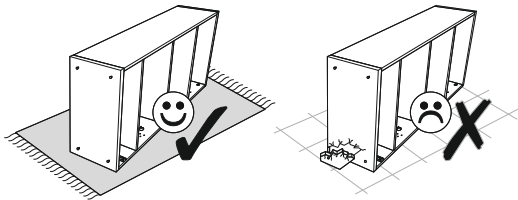
11 ▶



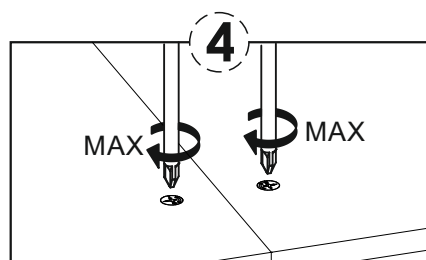
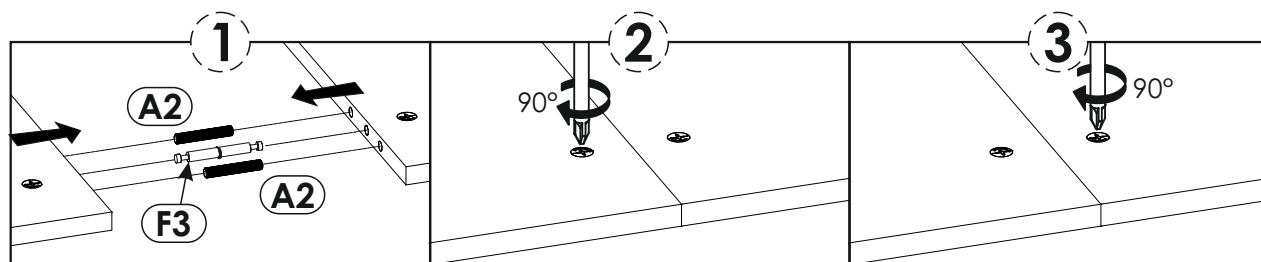
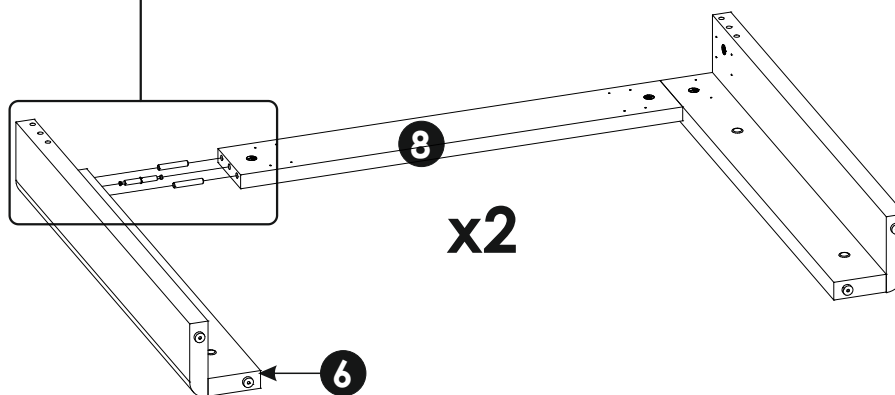
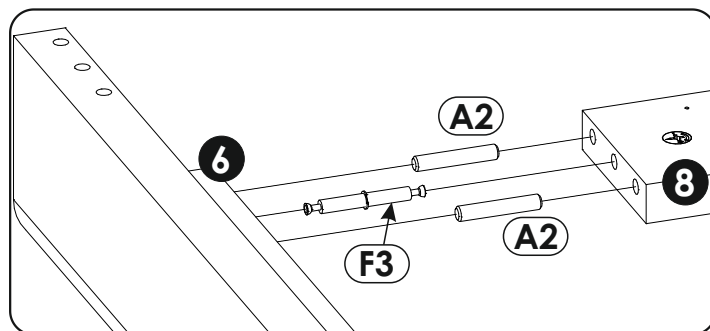
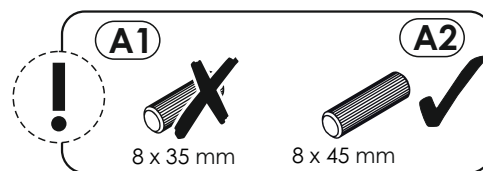
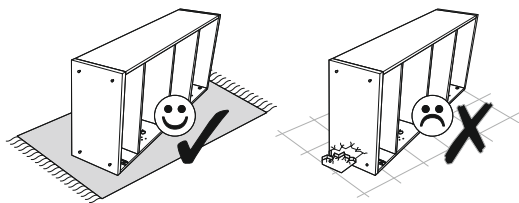
12▶



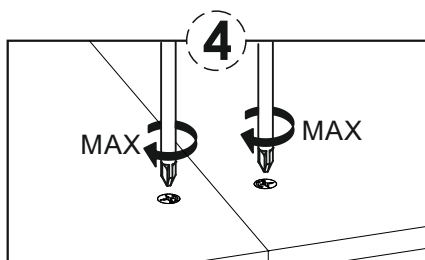
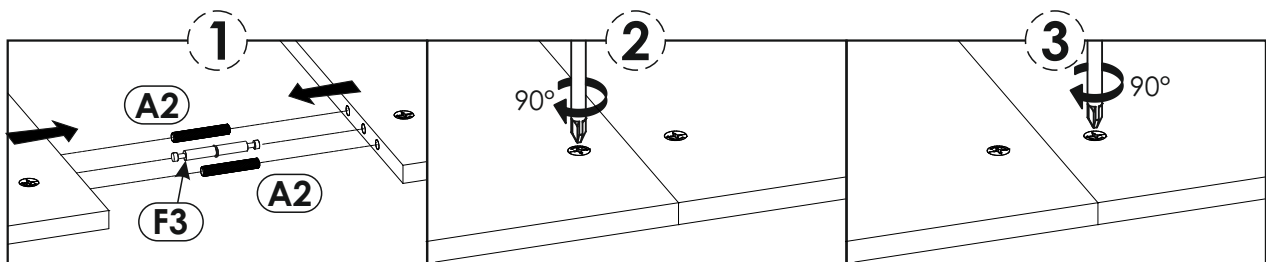
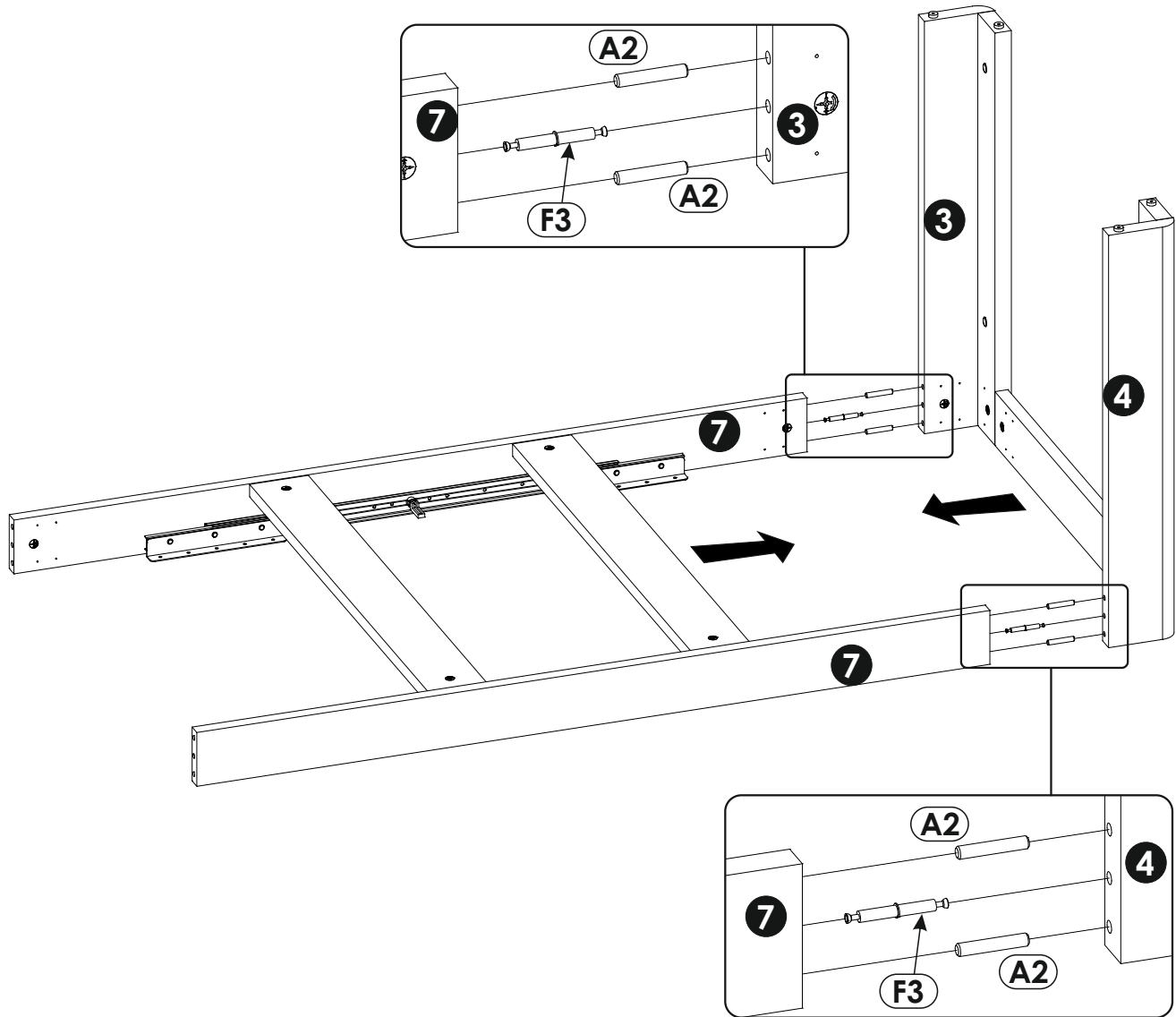
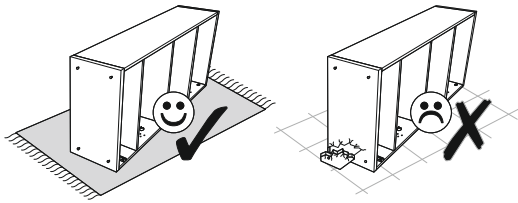
13▶



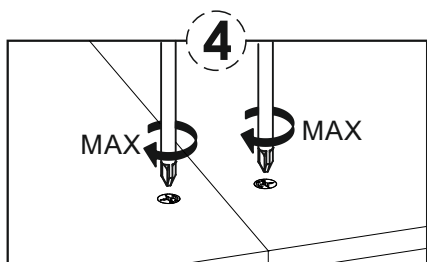
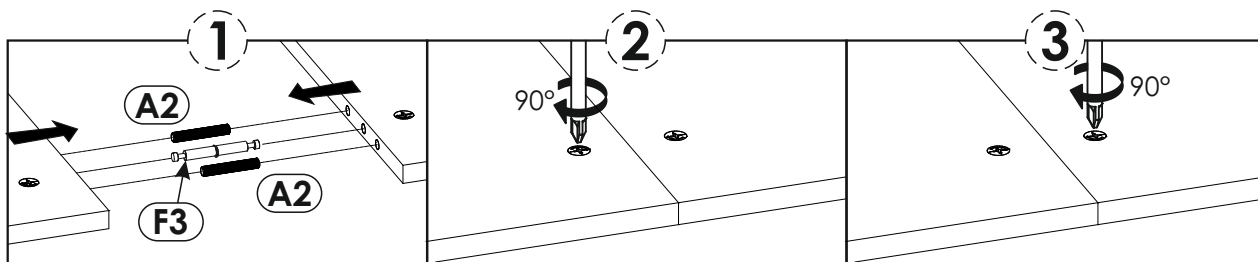
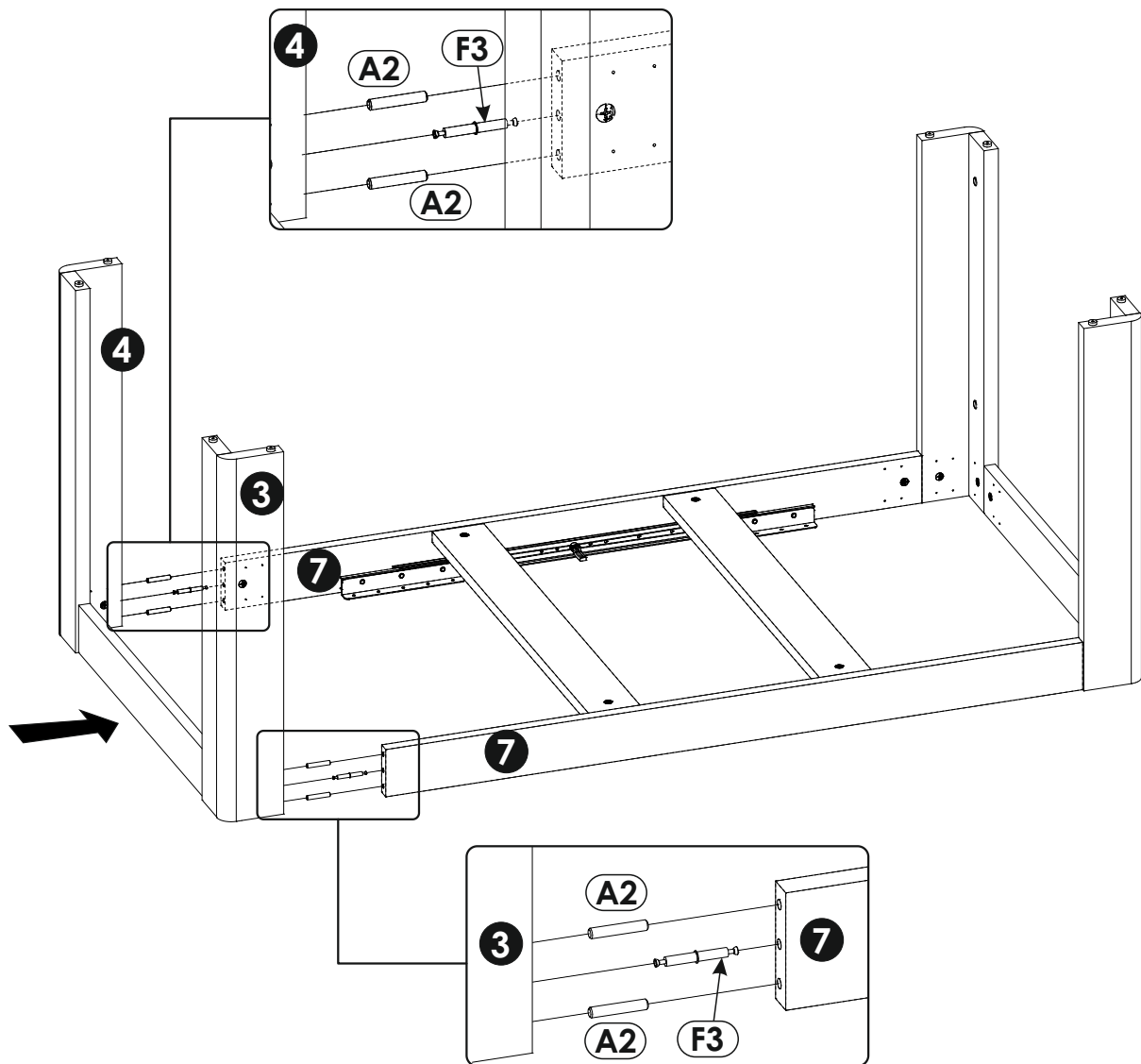
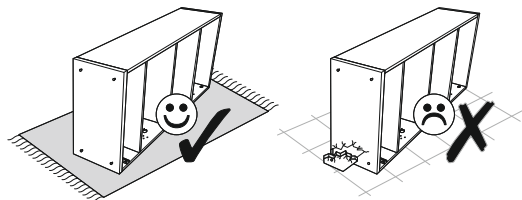
14▶



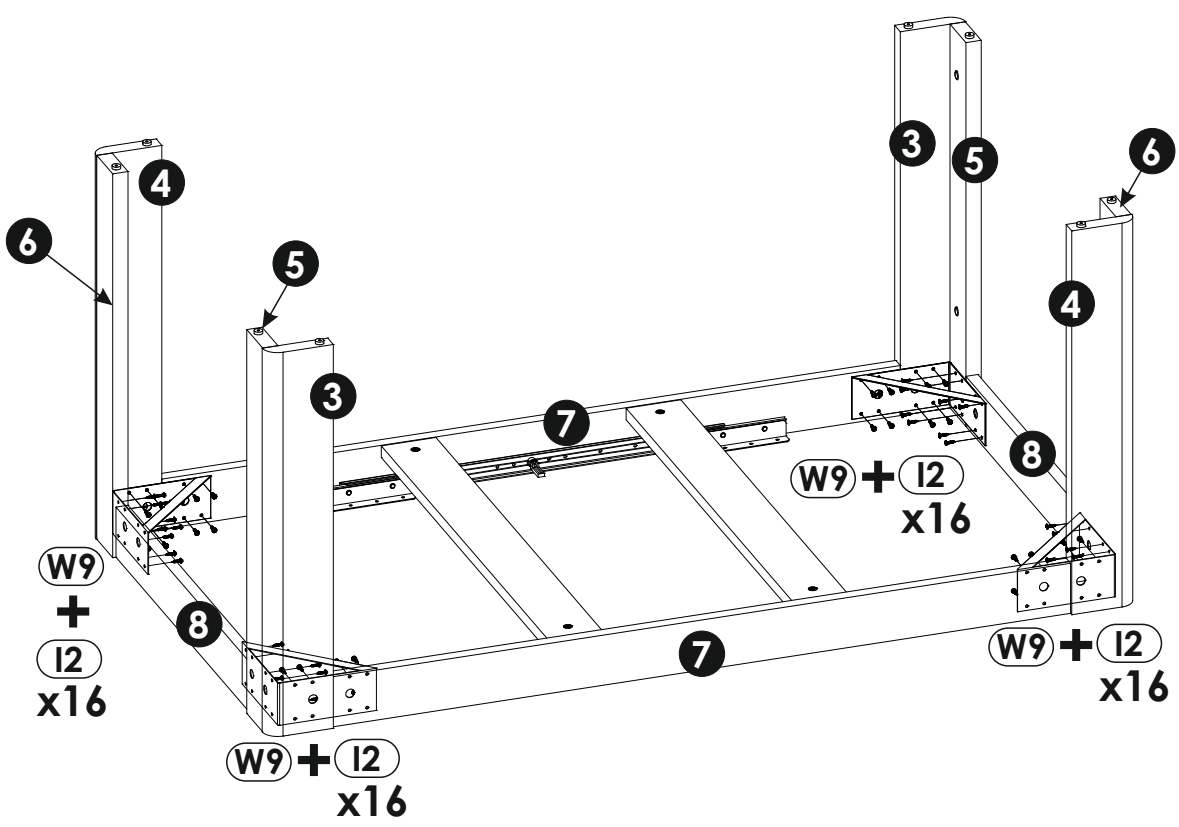
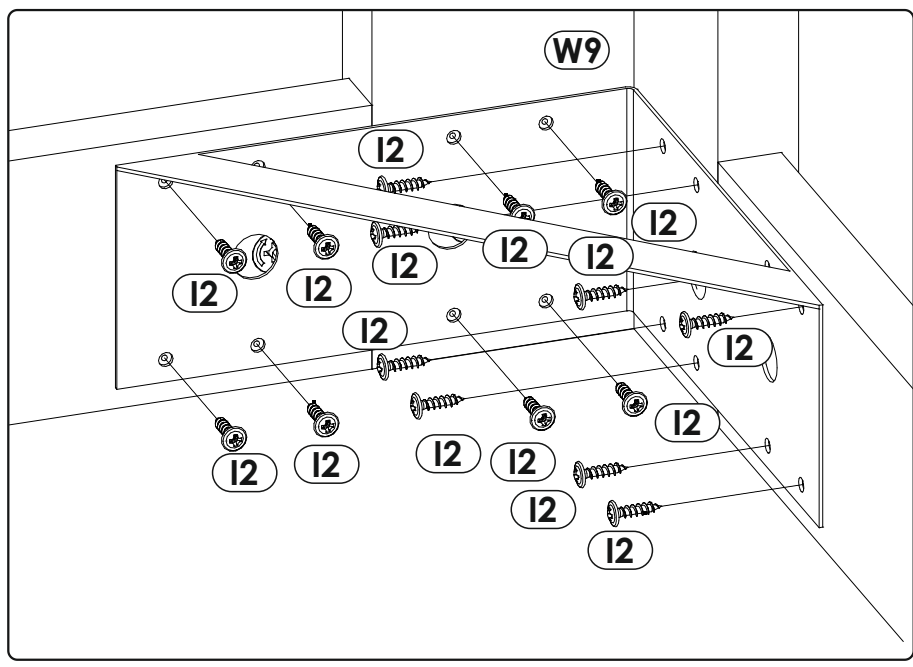
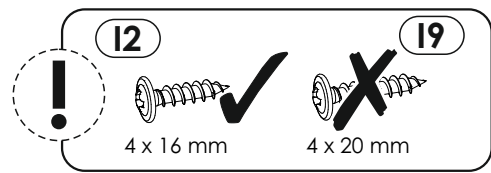
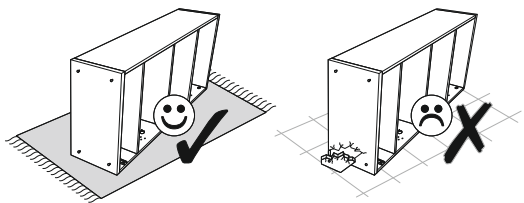
15▶



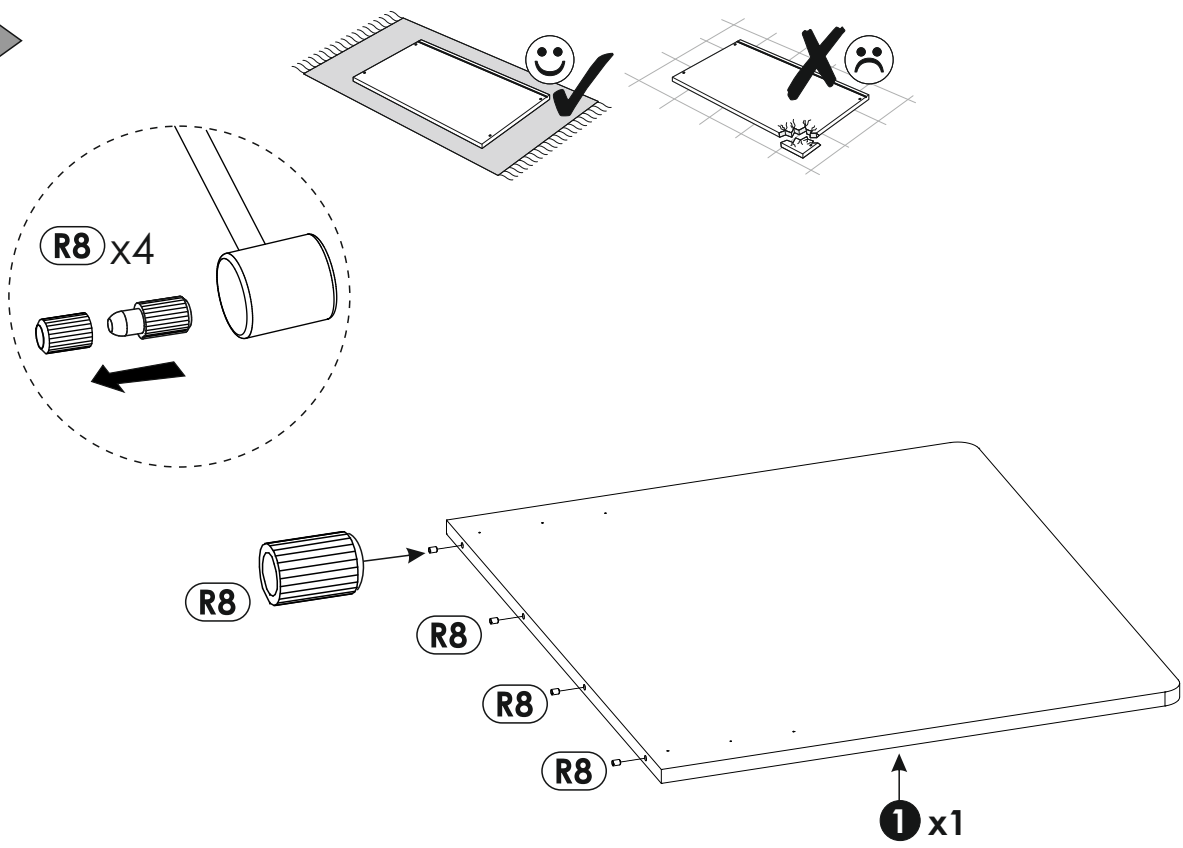
16 ▶



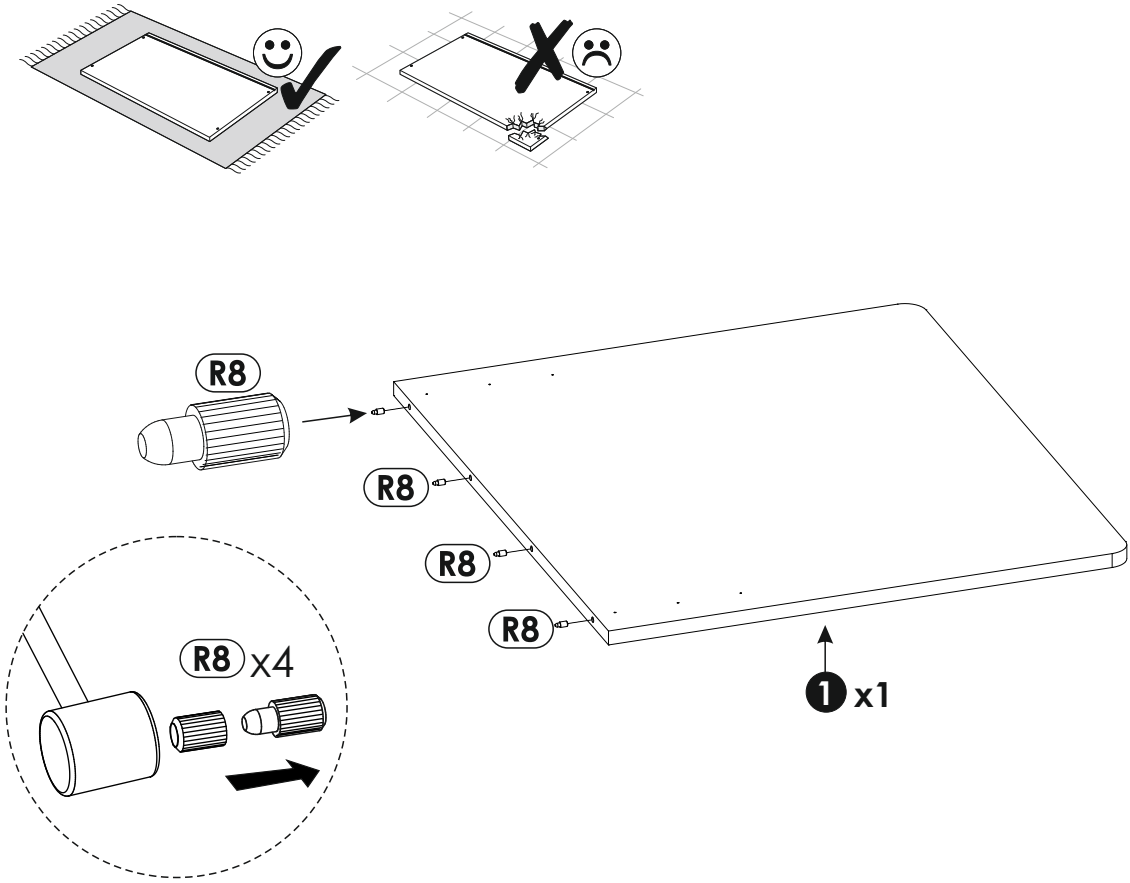
17▶



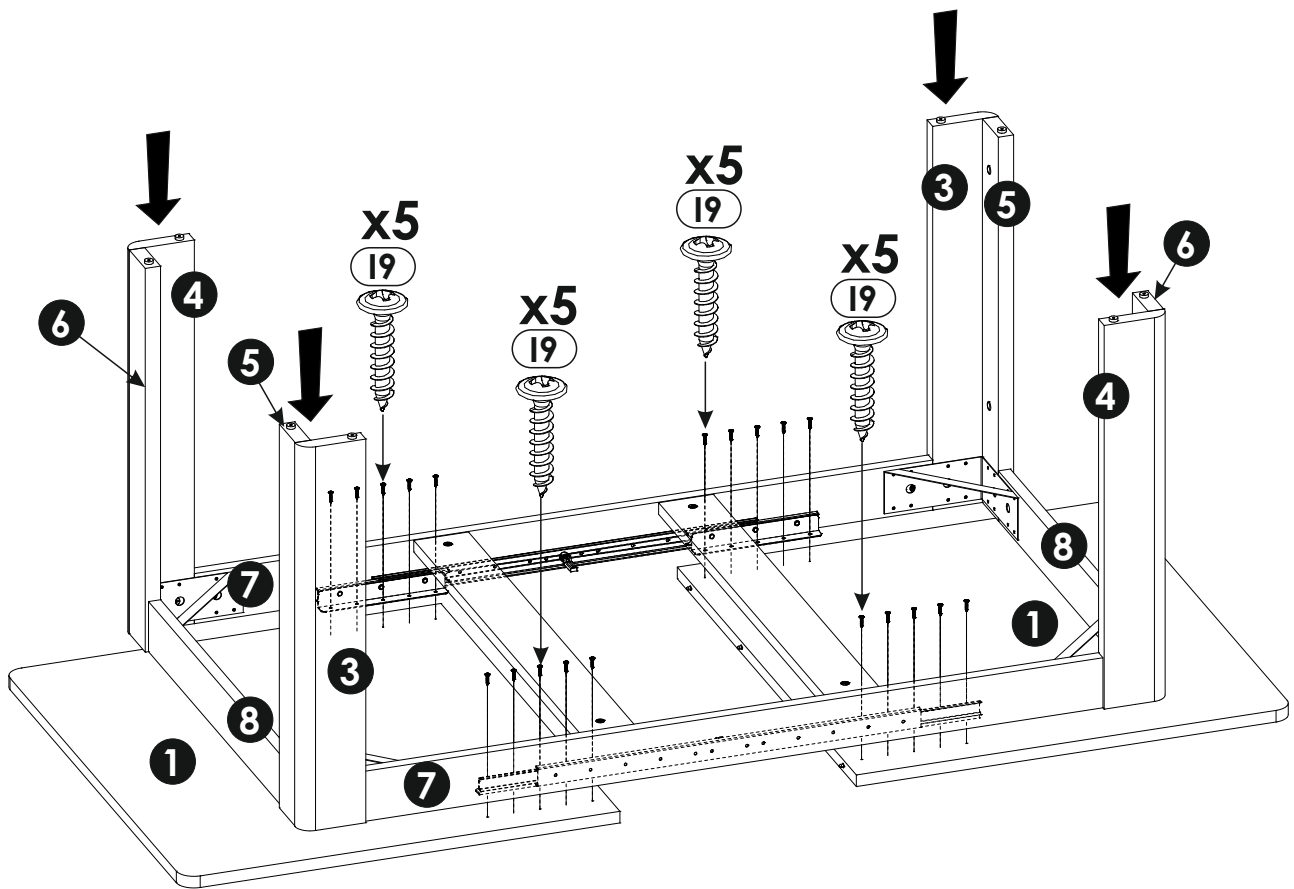
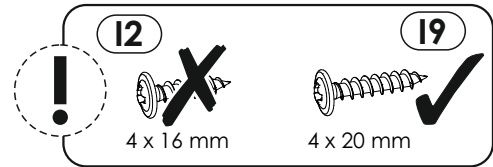
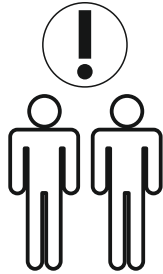
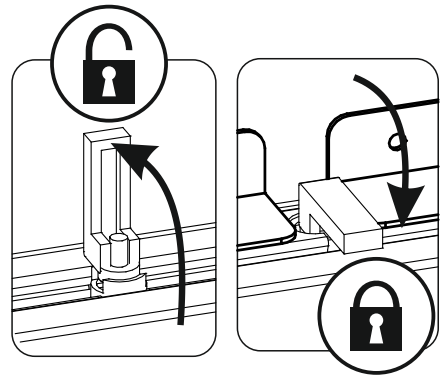
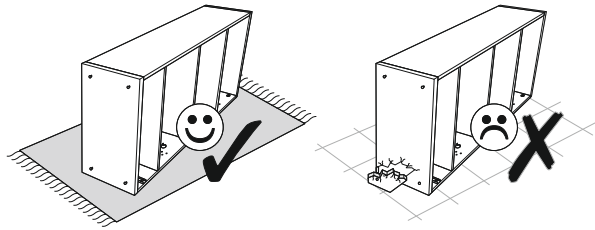
18▶



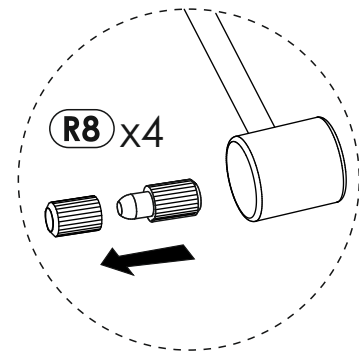
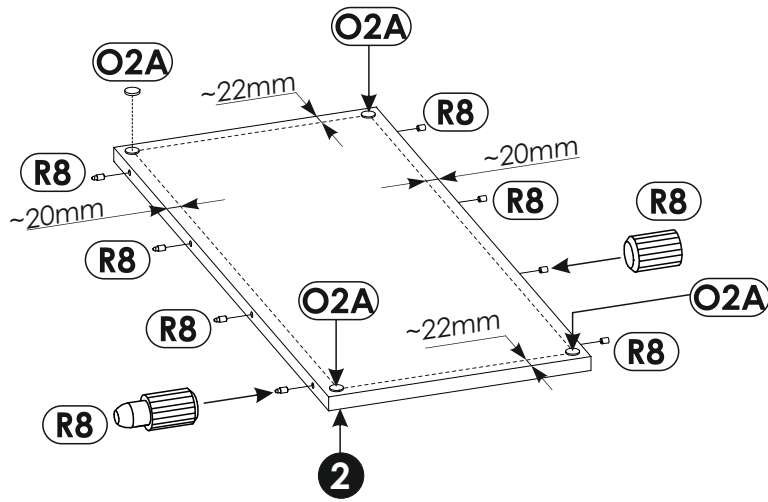
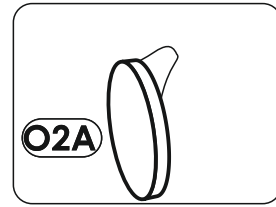
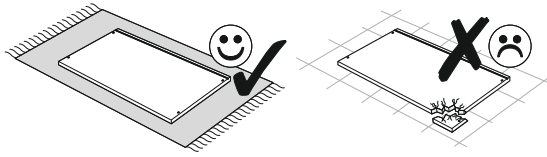
19▶



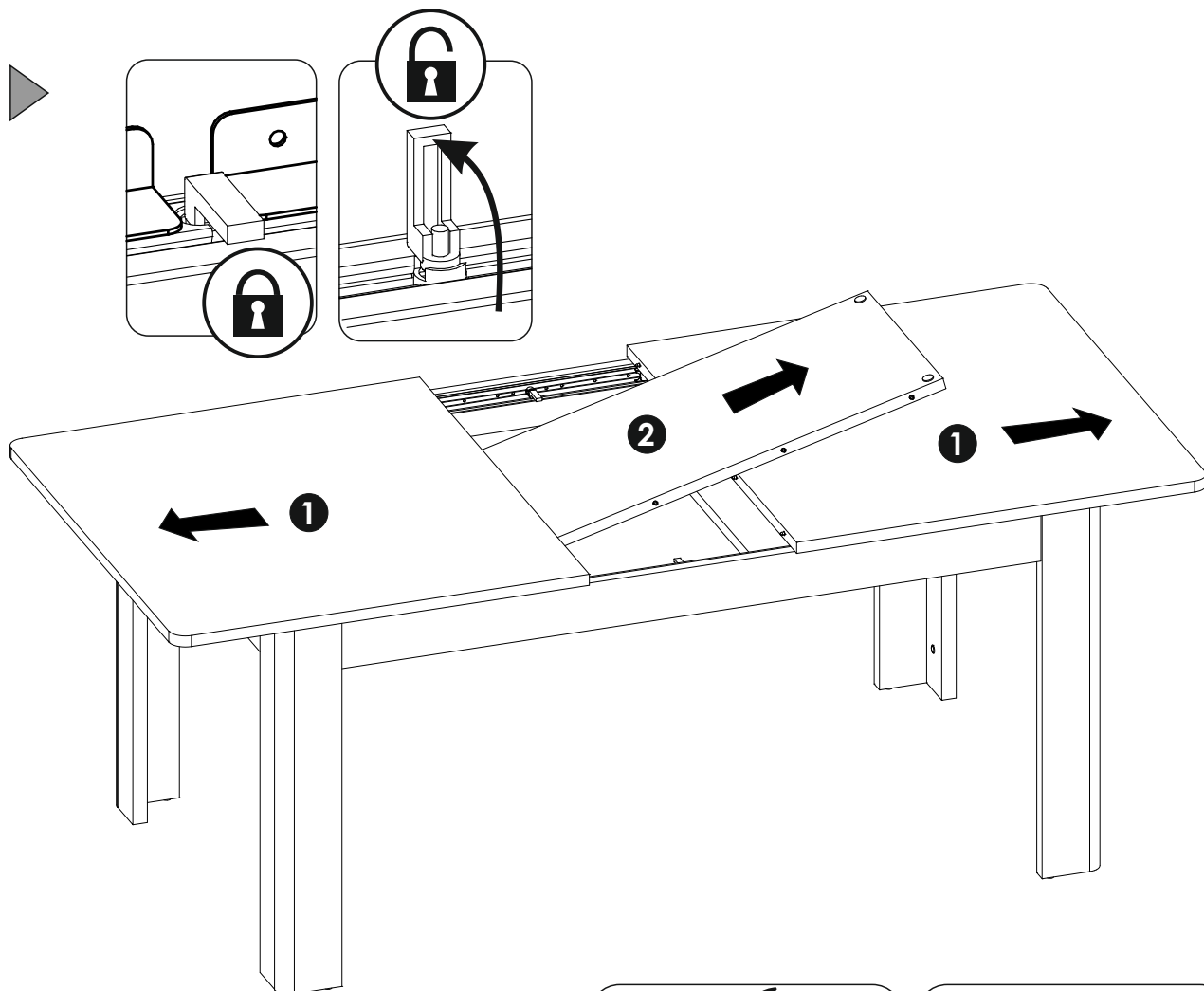
20 ▶



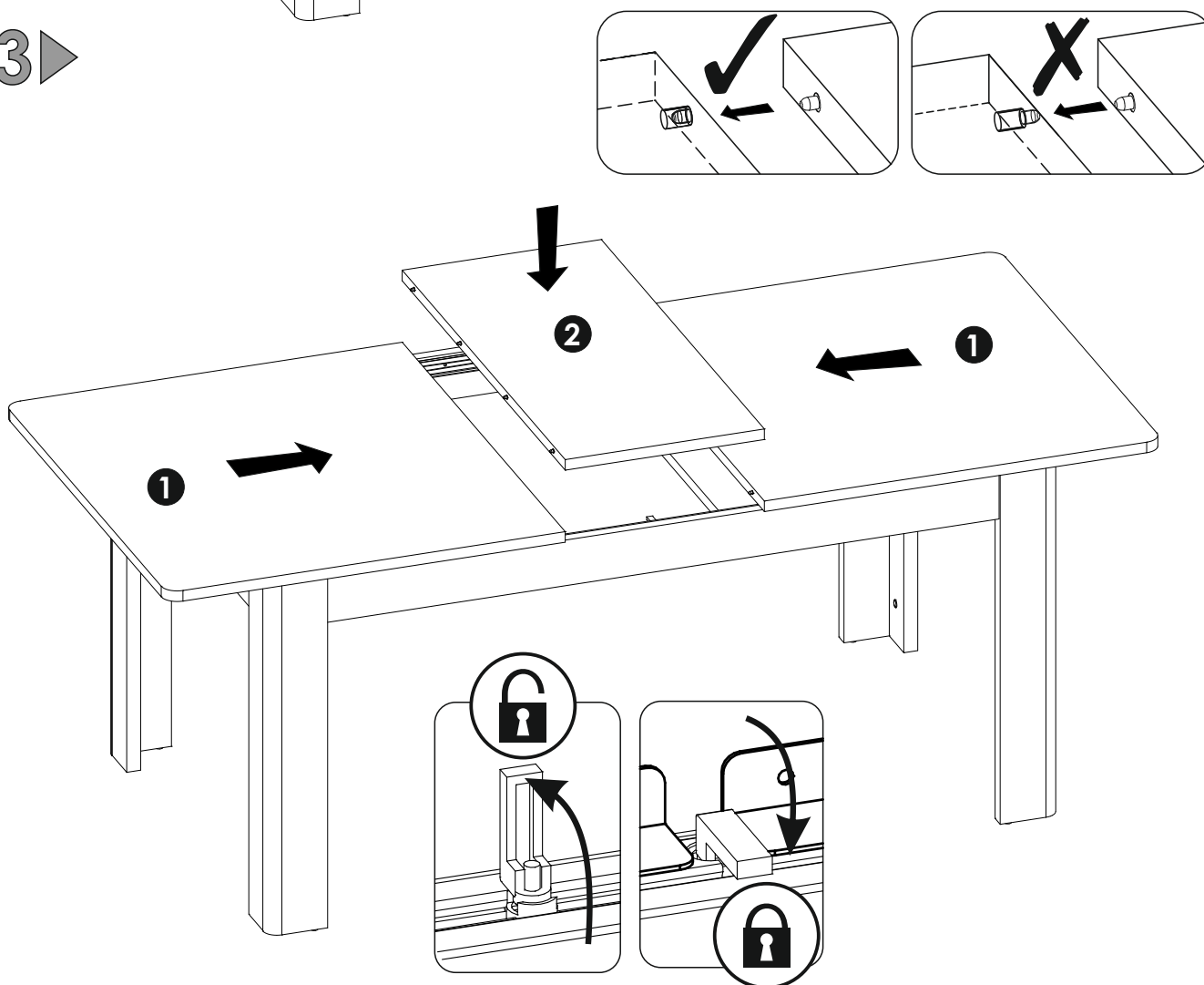
21 ▶



22 ▶



23 ▶



24▶

