







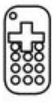







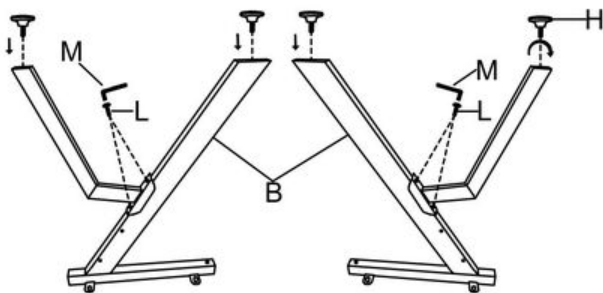
ASSEMBLY INSTRUCTION

PART LIST

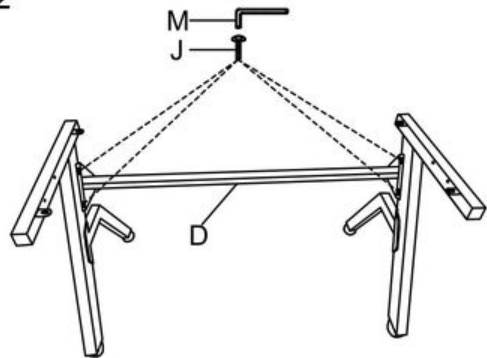
| | | | | | | |
|--|---|---|---|---|--|--|
| A  desktop 1 pc | B  desk leg 2 pcs | C  desk leg 2 pcs | D  down crosspiece 1 pc | E  top crosspiece 1 pc | F  water bottle frame 1 pc | G  earphone frame 1 pc |
| H  foot nail 4 pcs | I  remote controller 1 pc | J  bolt 12 pcs | K  bolt 2 pcs | L  bolt 4 pcs | M  Allen Key 1 pc | N  line storage 3 pcs |

ASSEMBLY

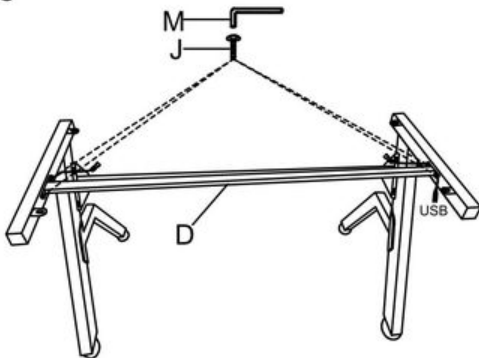
STEP 1



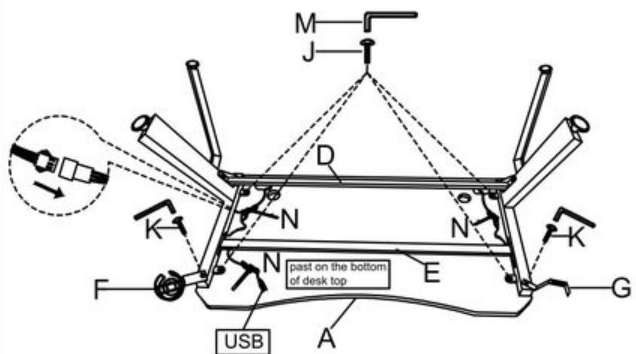
STEP 2



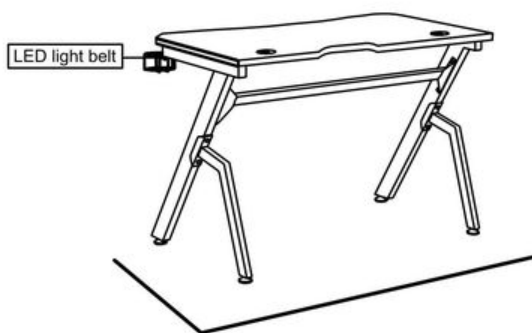
STEP 3



STEP 4



STEP 5



STEP 6



1. Reorder RGB: Differ form kinds of LED,The R G B keys may don't perfectly match to your LED,reorder them if needed.Continuously pressing the SETTING button in 5 times until LED flash in white,pressing the R button until LED is red,pressing the G button until LED is green,pressing the B button until is blue,then pressing the SETTING button once to confirm your setting.

2. Receiving Controller.(1). The receiving controller working voltage:5V-24V-supply-voltage.(2). Cautions:Please make sure the power supply voltage is match to your controller before you power it.