

MS.020.001 CRISTALLO

ASSAMBLY INSTRUCTIONS

D		1PCS
E		2PCS
F		1PCS
G		1PCS
H		4PCS
J		4PCS
S	 M6*45mm	2PCS
B	 M6*15MM	8PCS
R	 M6*50MM	2PCS
T		16PCS
U		1PCS
V		1PCS

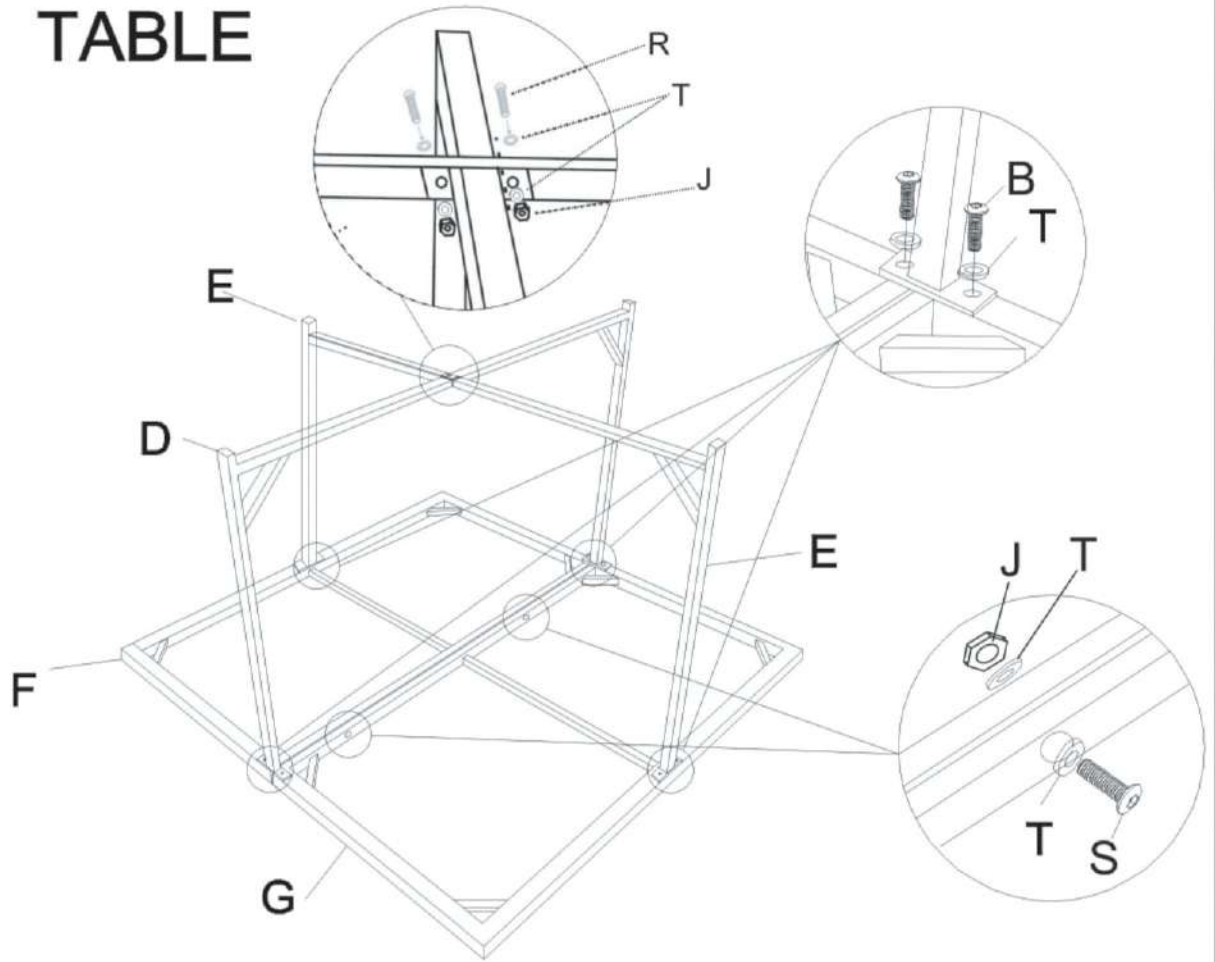


MS.020.001 CRISTALLO

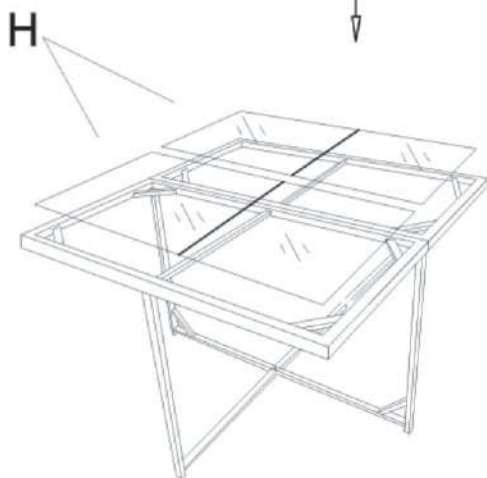
ASSEMBLY DRAWING:

STEP1:

TABLE



STEP2:


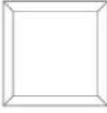




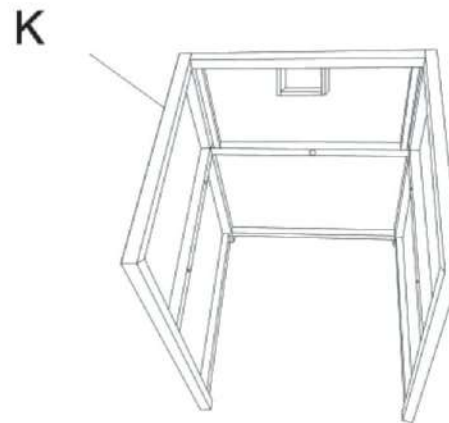
STEP3:



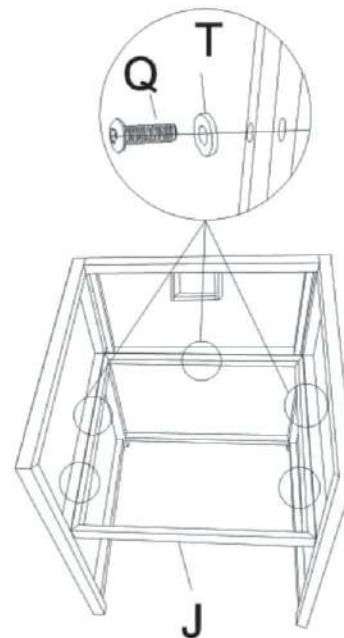
MS.020.001 CRISTALLO

STEP1:

K		2PCS
J		2PCS
Q		10PCS M6X35
T		10PCS



STEP2:



STEP3:

