





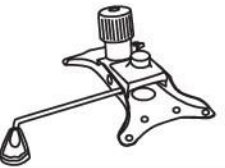

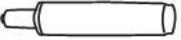

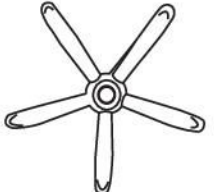



# INSTRUKCJA MONTAŻU/Assembly Instruction

Q-025/D-8009A

<b>AX1</b> 	<b>GX5</b> 
<b>BX1</b> 	<b>HX4</b> 
<b>CX1(L)X(R)</b> 	<b>IX6</b> 
<b>DX1</b> 	<b>JX4</b> 
<b>EX1</b> 	<b>KX8</b> 
<b>FX1</b> 	<b>LX6</b> 
	<b>MX1</b> 