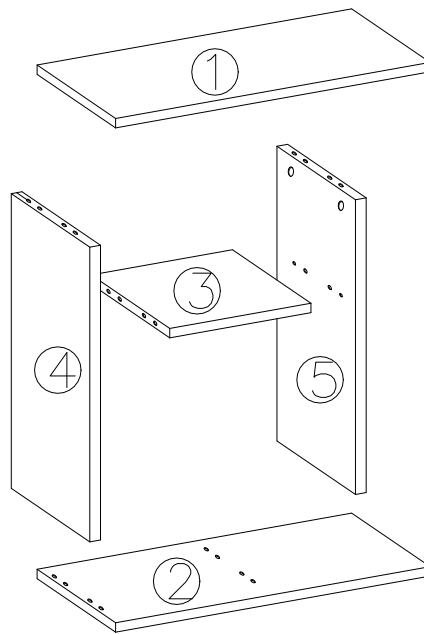
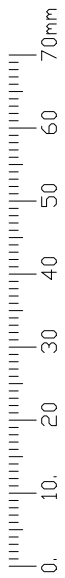
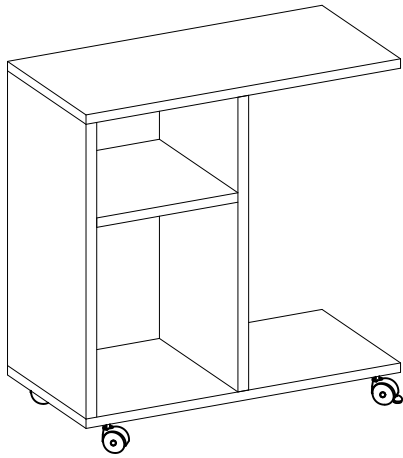

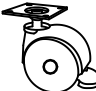

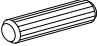
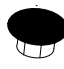
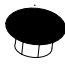
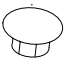

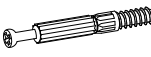


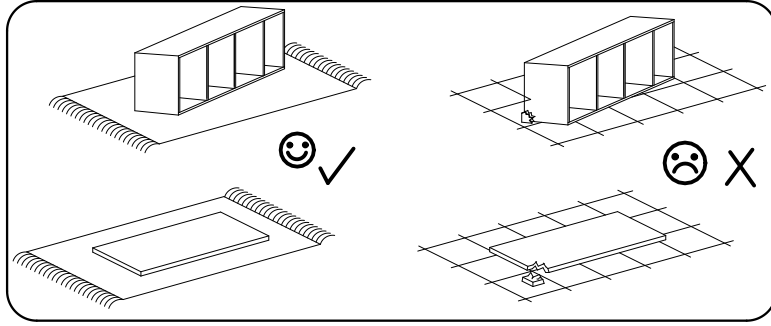


# TRASCO 1

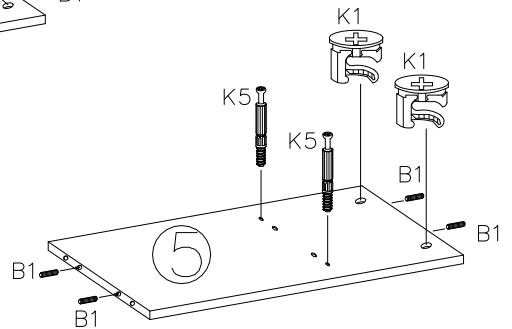
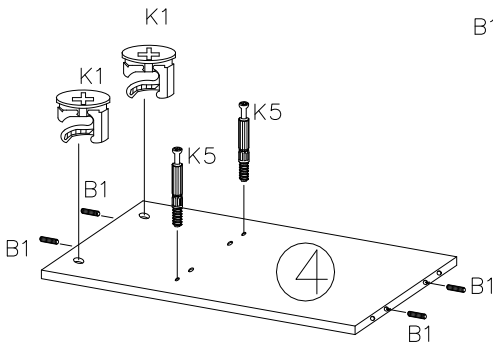
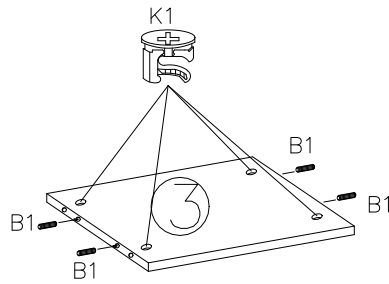
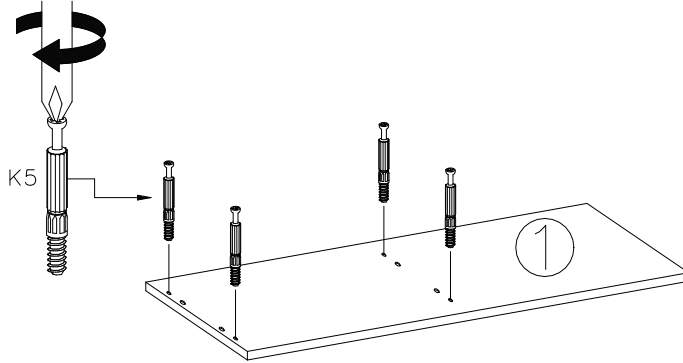
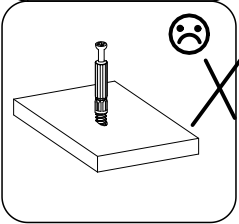
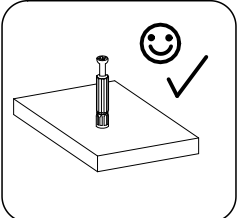


	P8  2x	P7  2x	A1  4x $\phi 7 \times 50$	B1  12x $\phi 8 \times 30$
I7    24x $\phi 18$	K1  8x 4mm	K5  8x 8mm	G4  16x 4x16	W2  1x 4mm

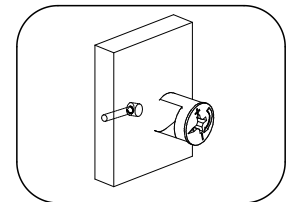
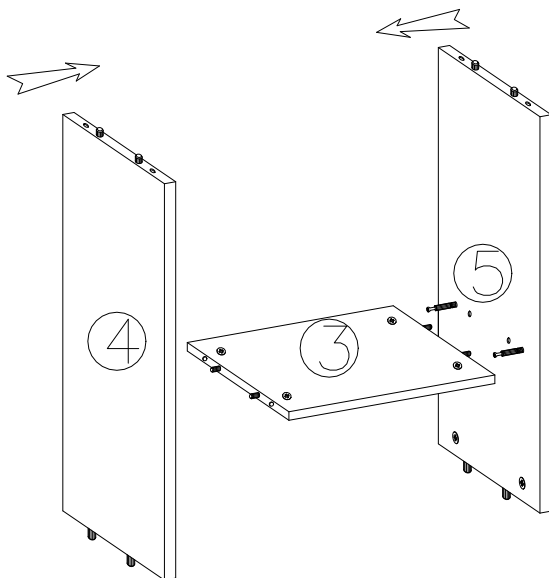
1



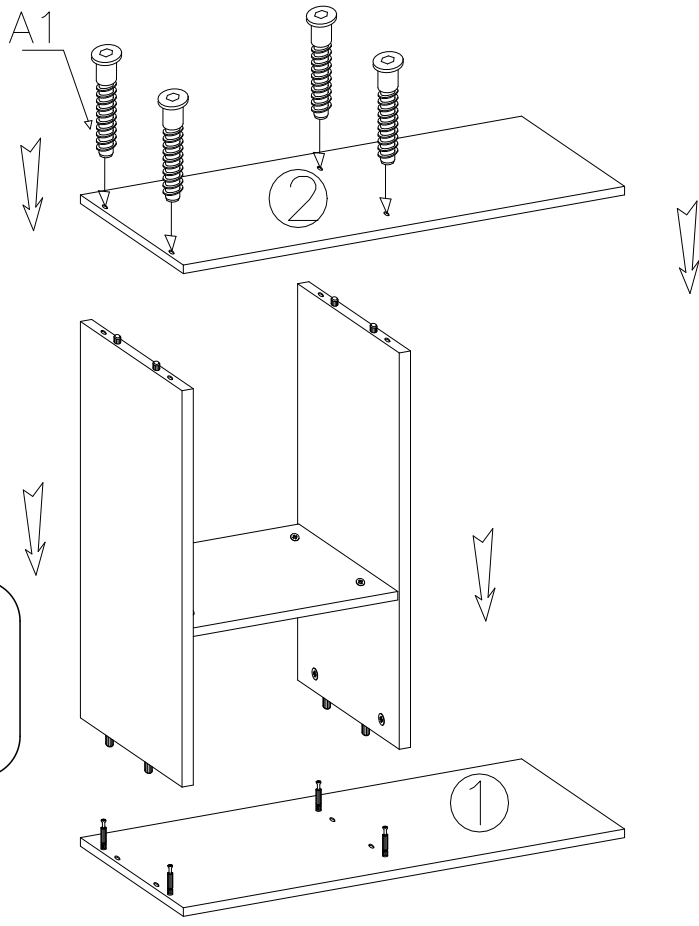
B1		12x
K1		8x
K5		8x





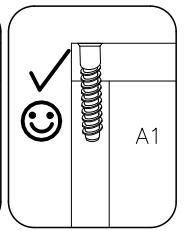
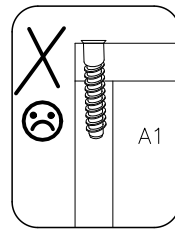
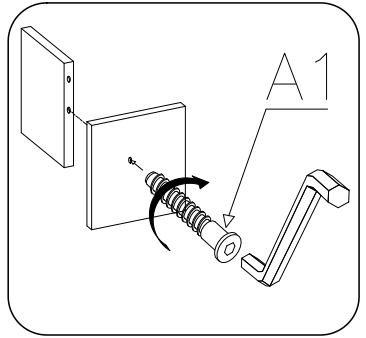
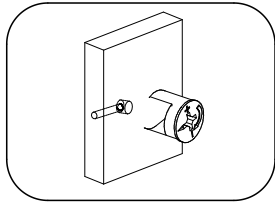
2





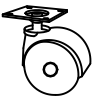

# 3



- A1  4x  
ø7x50
- W2  1x  
4mm



# 4

- I7  24x  
ø18
- G4  16x  
4x16
- P8  2x
- P7  2x

