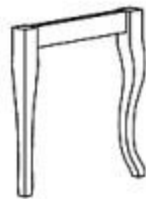


OP-SC2



1 PC



1 PC



1 PC

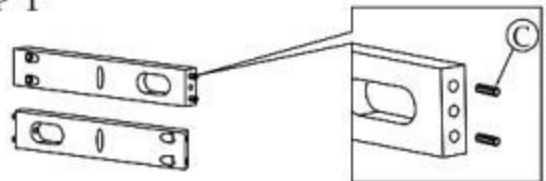


1 PC

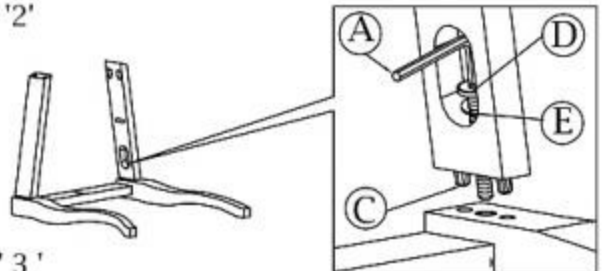


1 PC

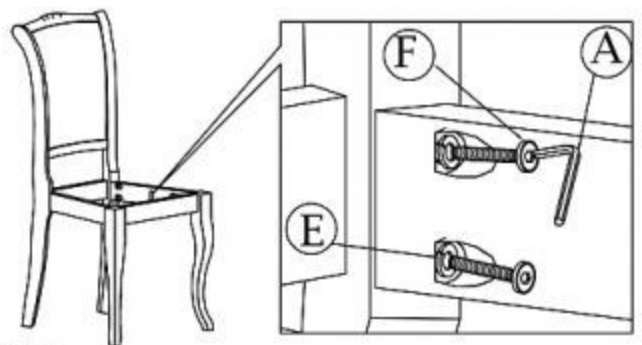
STEP '1'



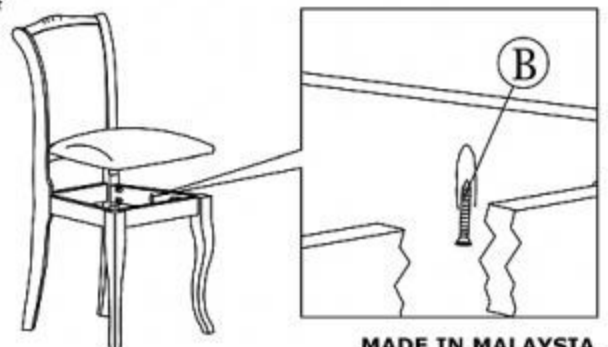
STEP '2'



STEP '3'



STEP '4'



Part 'A'



M4 : 1 PC

Part 'B'



M4X32 : 3PCS

Part 'C'



4PCS
M8X30

Part 'D'



M6 x 50 : 2PCS

Part 'E'



6PCS
5/16"

Part 'F'



M6 x 45 : 4PCS

MADE IN MALAYSIA