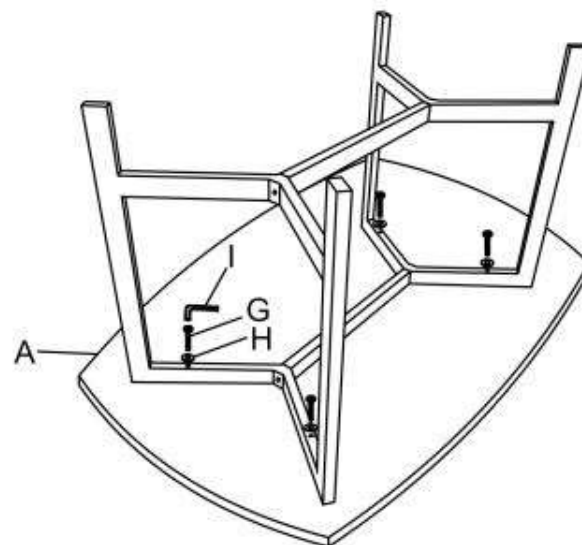
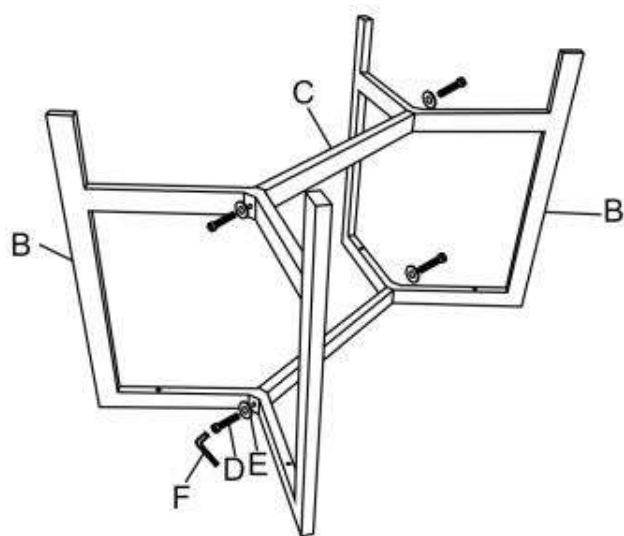












NORTON



 max. 30 kg



A		1PC	F	 M6	1PC
B		2PCS	G	 M6*70mm	4PCS
C		2PCS	H	 M6*18mm	4PCS
D	 M8*50mm	4PCS	I	 M4	1PC
E	 M8*16mm	4PCS			

v.1