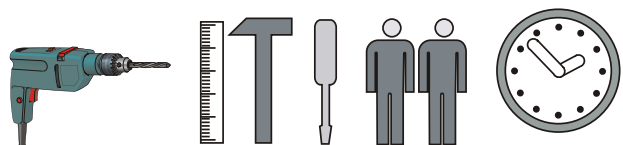
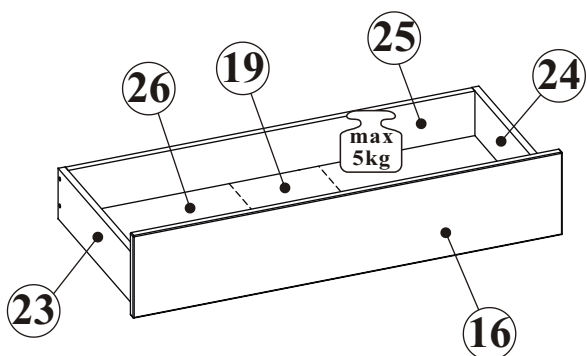
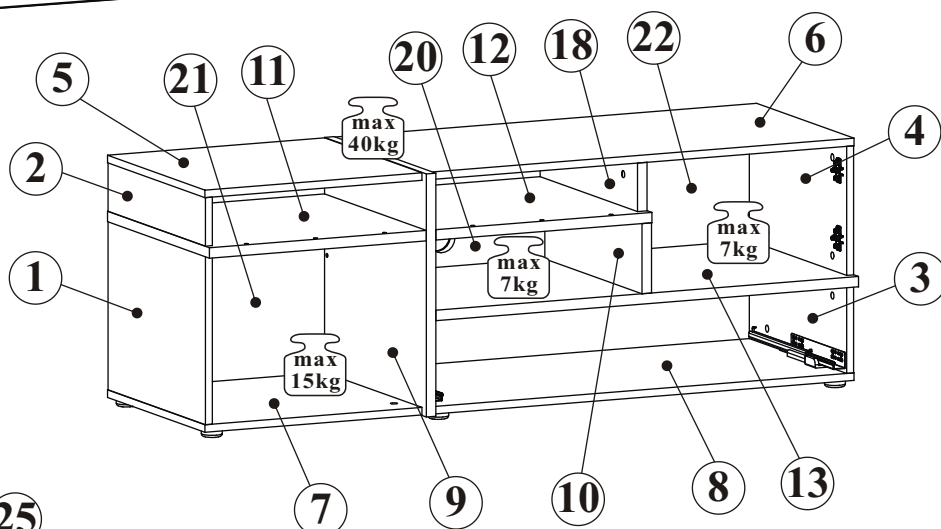
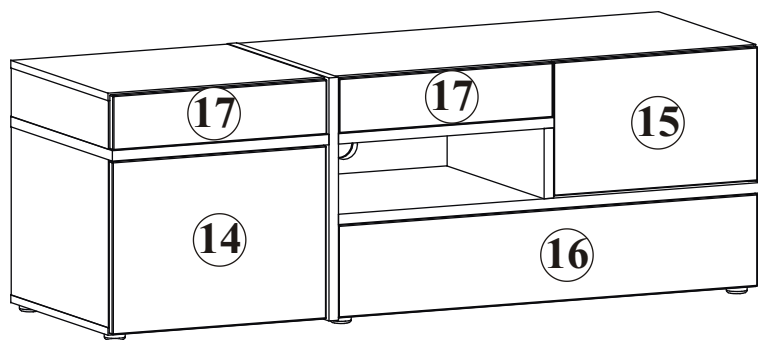
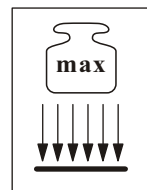


# CROSS 28PEWCS RTV



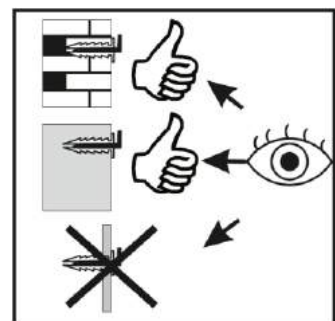
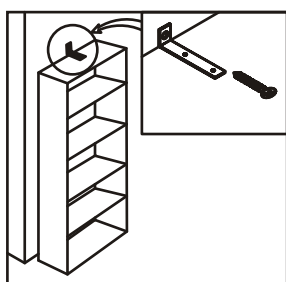
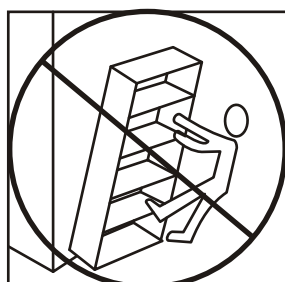
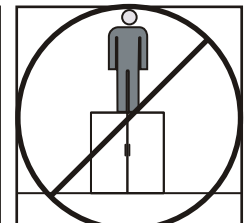
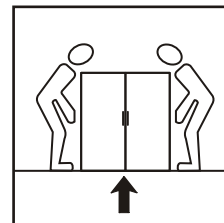
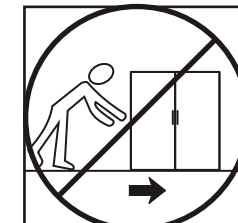
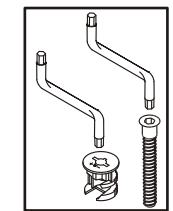
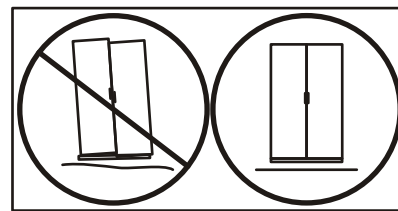
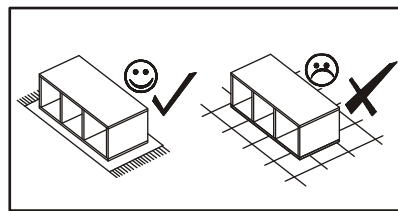
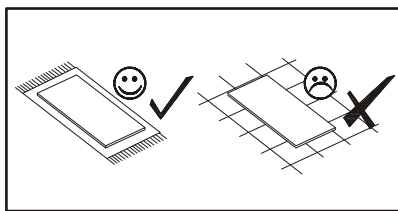
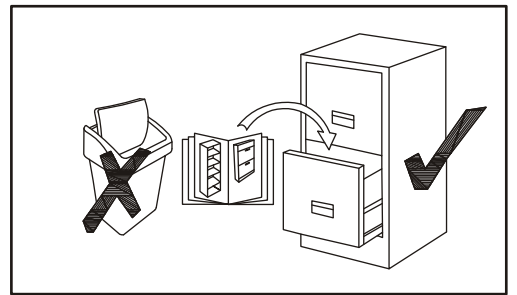
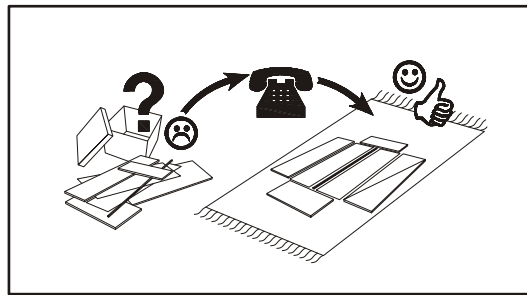
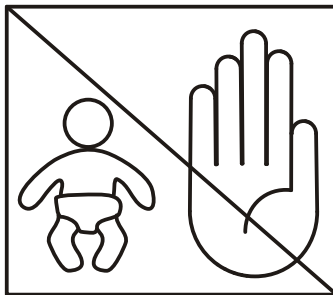
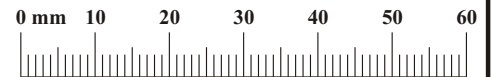
180 min

NO	Dim.			Col.-No	Qty
1	357	477	16	2	1
2	103	477	16	2	1
3	186	477	16	2	1
4	274	477	16	2	1
5	502	477	16	2	1
6	978	477	16	2	1
7	502	477	16	2	1
8	978	477	16	2	1
9	516	499	22	1	1
10	149	499	22	1	1
11	502	499	22	1	1
12	500	499	22	1	1
13	978	499	22	1	1

NO	Dim.			Col.-No	Qty
14	367	496	16	1	1
15	284	473	16	1	1
16	196	972	16	1	1
17	116	496	16	1	2
18	103	477	22	1	1
19	400	184	16	2	1
20	476	148	22	1	1
21	508	509	3	1	1
22	508	985	3	1	1
23	400	120	16	2	1
24	400	120	16	2	1
25	921	106	16	2	1
26	404	933	3	2	1

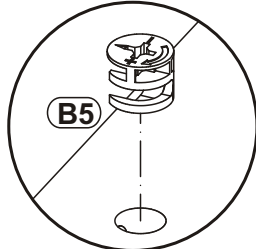
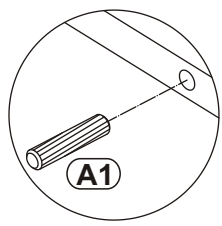
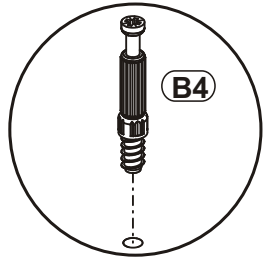
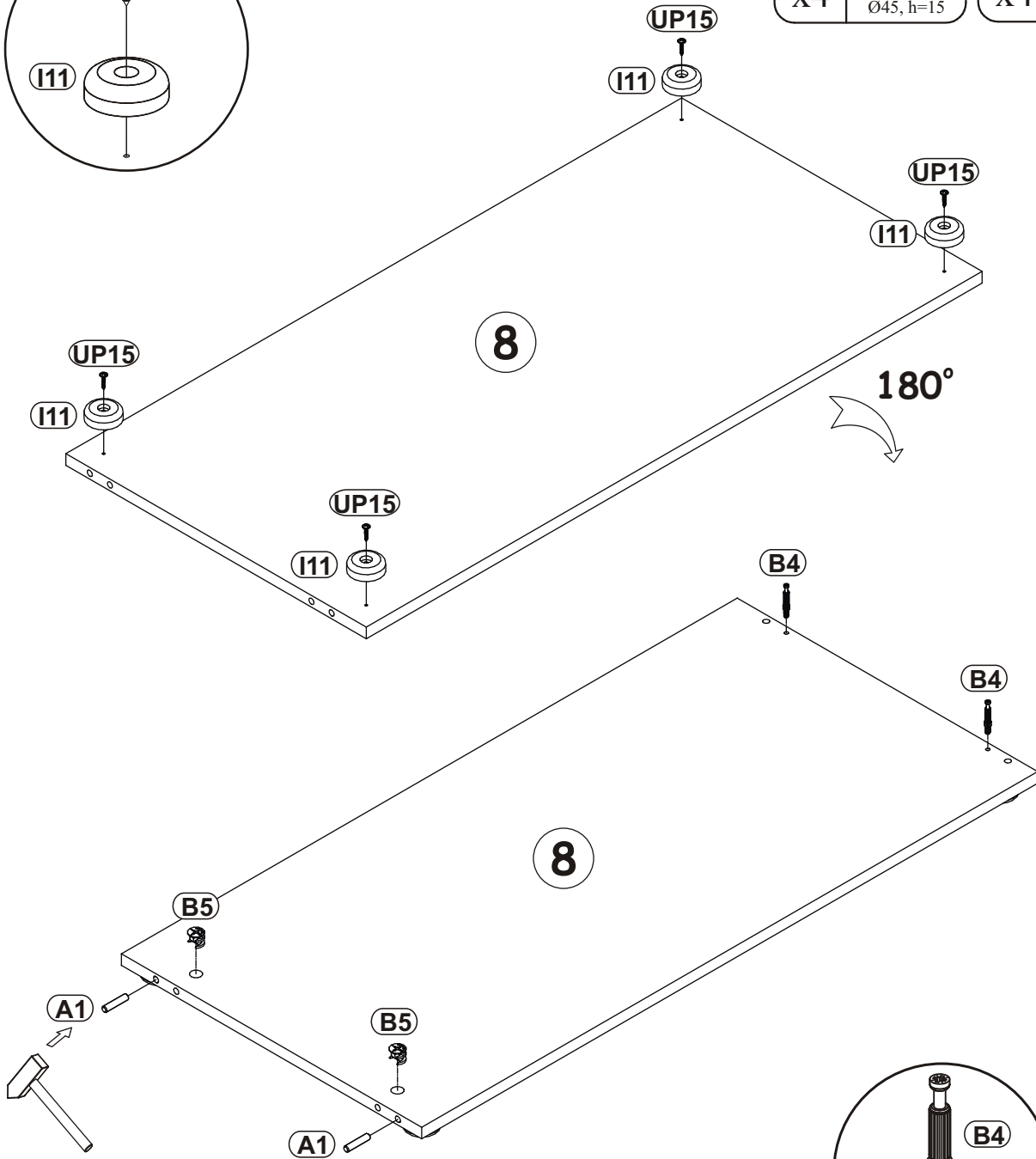
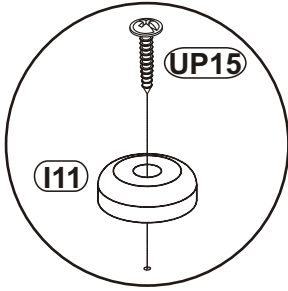
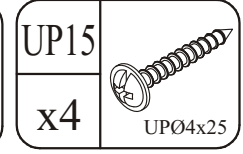
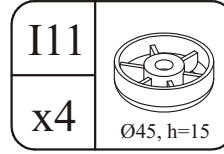
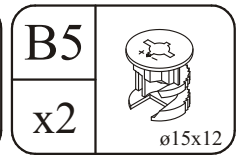
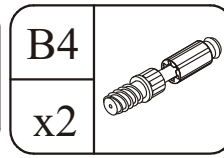
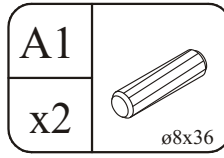
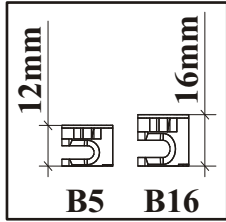
# CROSS 28PEWCS RTV

A1 x42 ø8x36	B4 x18	B6 x10 Ø7x76	B5 x26 ø15x12	B16 x12 Ø15x16	G5 x38
E21 x4 Ø35 H=0	E2 x4 H=0	D10 x18 USØ3,5x13	QU x1 L=400mm	D20 x4 ESØ6,3x9,5	UP6 x2 UPØ4x30
S1 x2	G16 x4	UP13 x44 UPØ3x16	B11 x4 Ø7x50	B15 x10 Ø7x60	G4 x14
I11 x6 Ø45, h=15	UP15 x6 UPØ4x25	T3 x2	KR1 x1	L1 x1	G2 x1



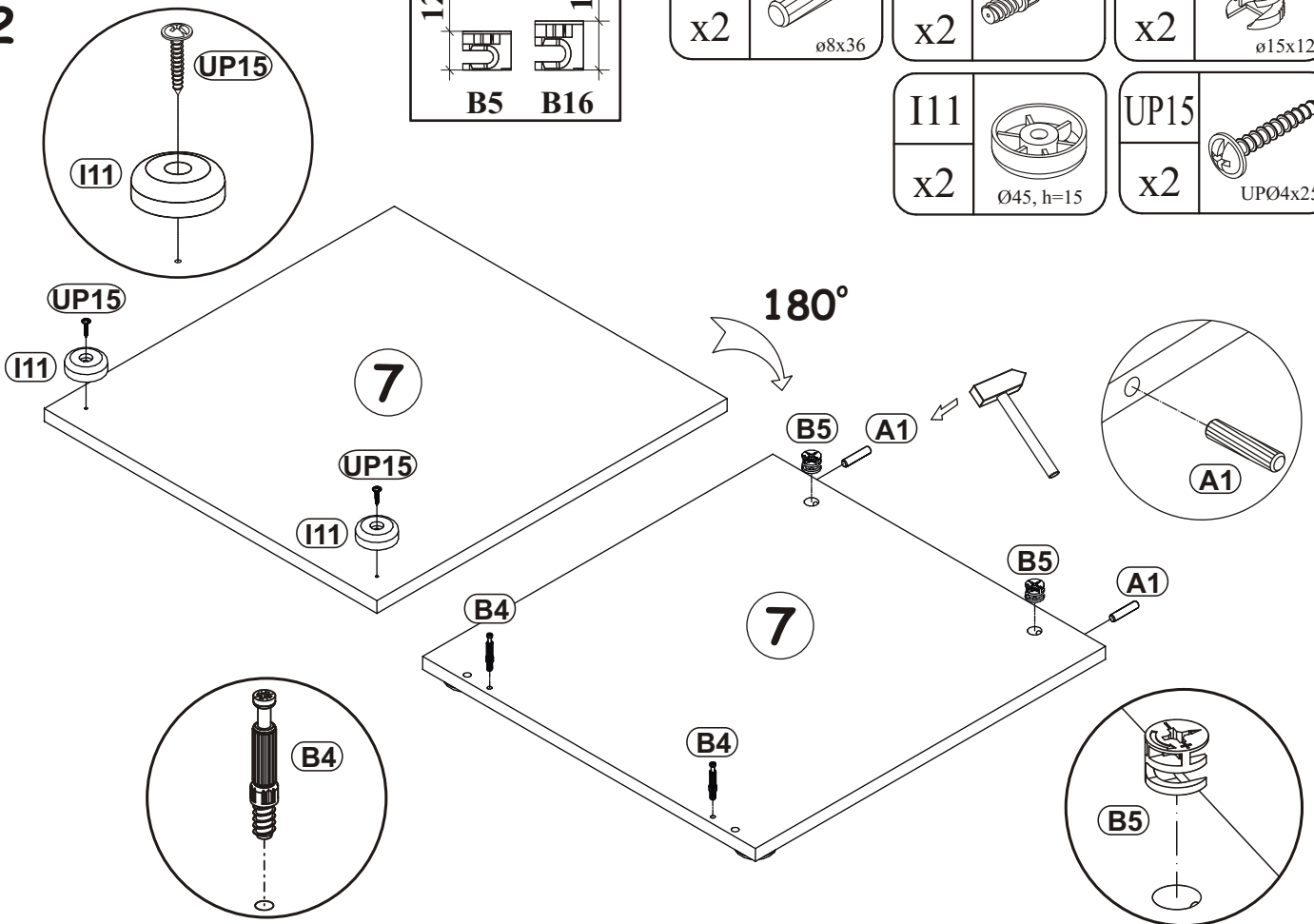
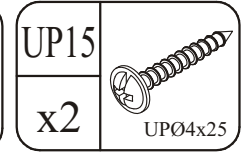
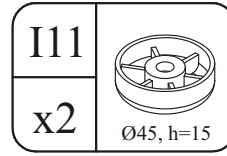
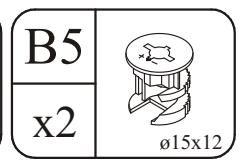
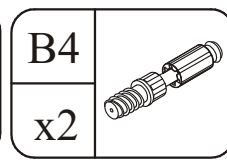
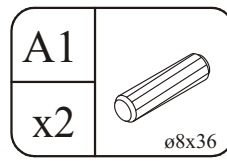
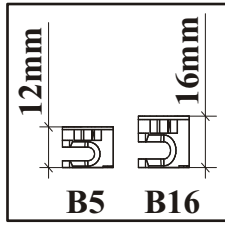
CROSS 28PEWCS RTV

1

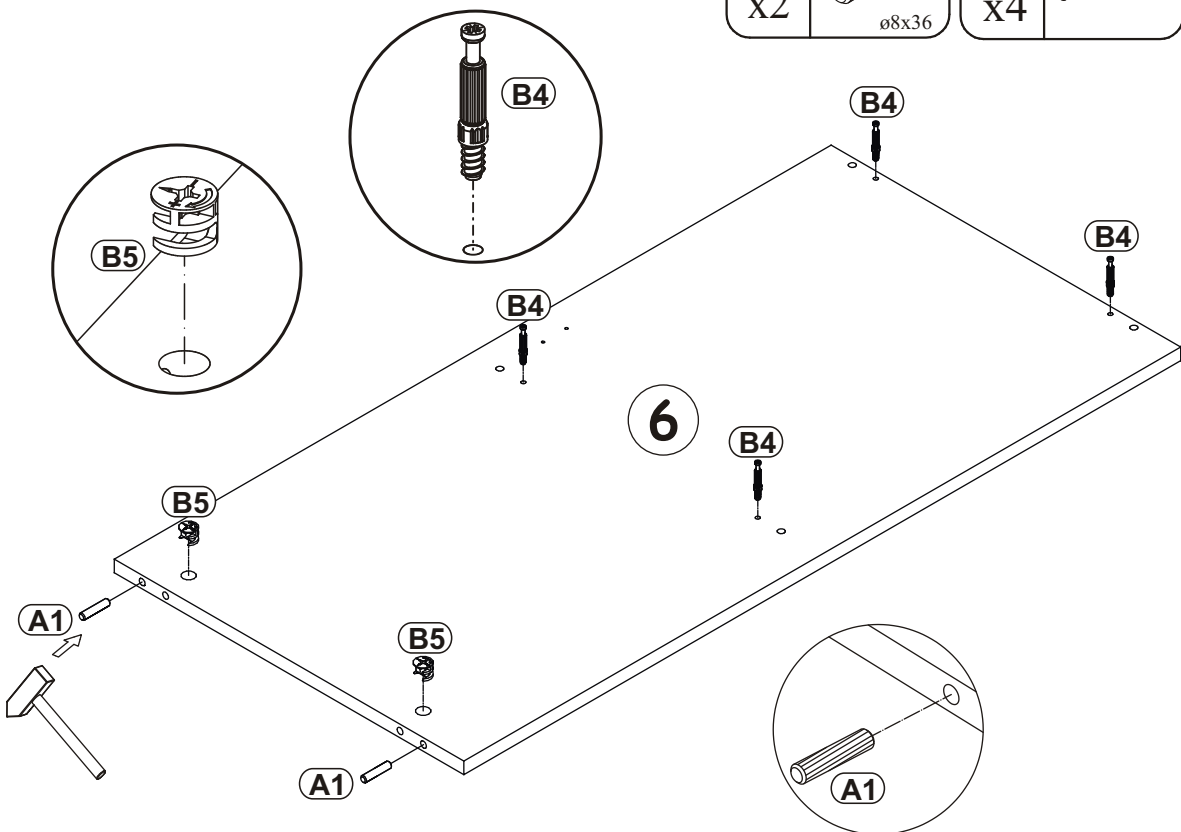
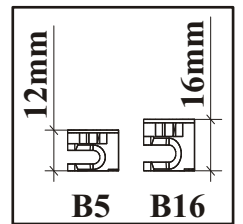
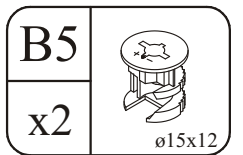
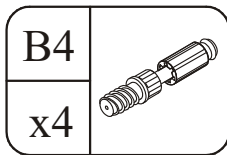
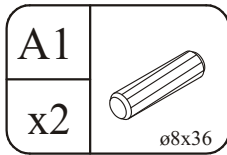


CROSS 28PEWCS RTV

2

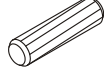


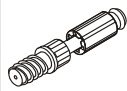
3






CROSS 28PEWCS RTV

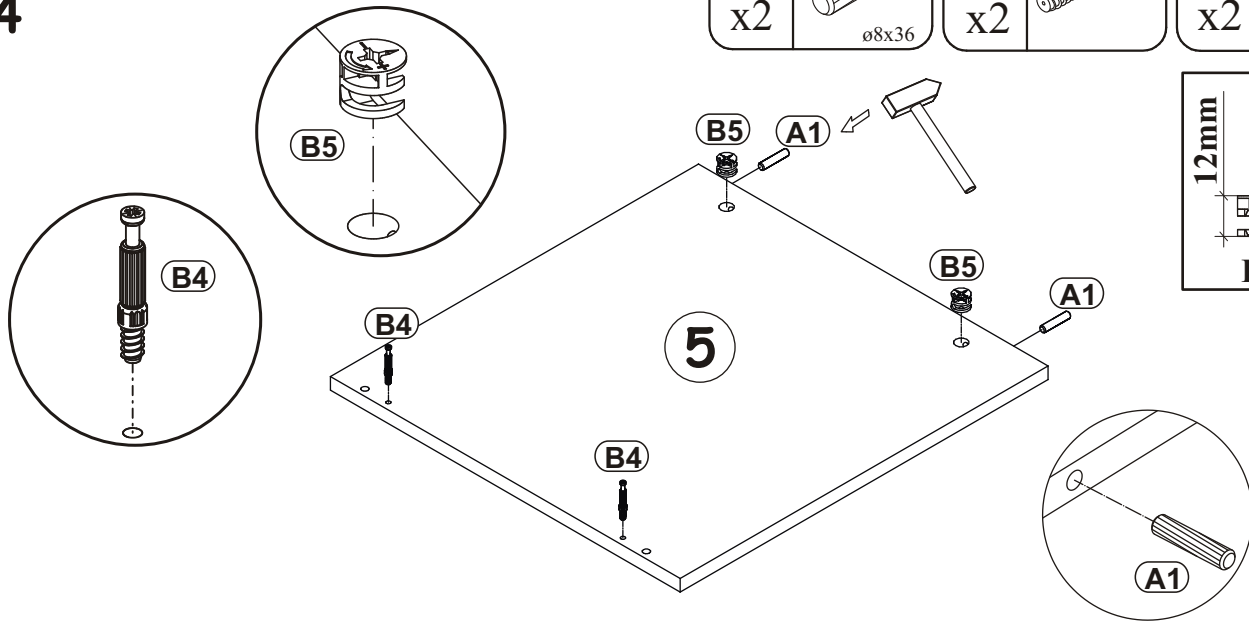
4

A1	
x2	ø8x36

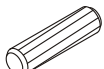
B4	
x2	

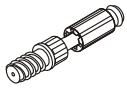
B5	
x2	ø15x12


12mm		16mm	
	B5		B16





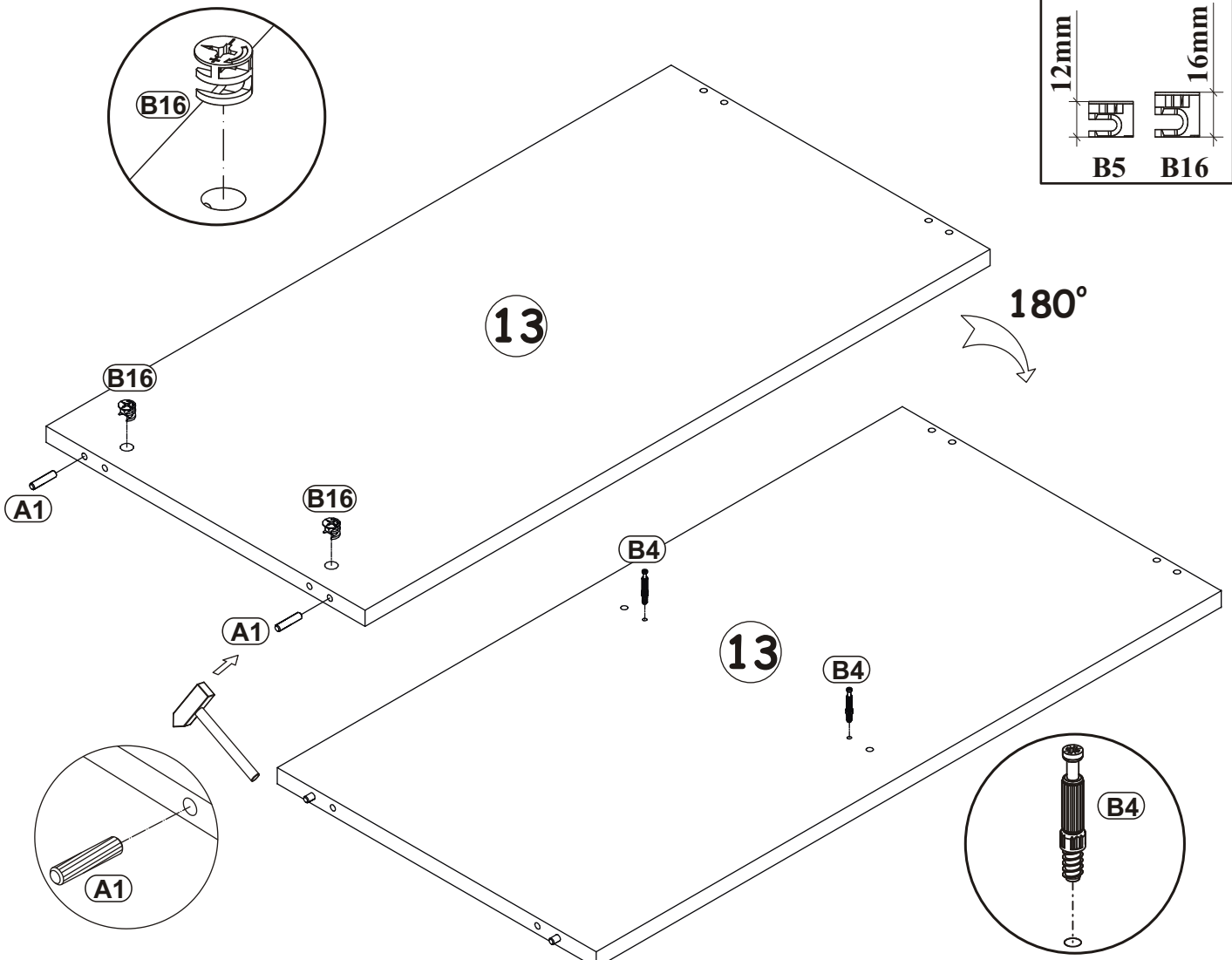
5

A1	
x2	ø8x36

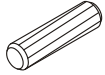

B4	
x2	

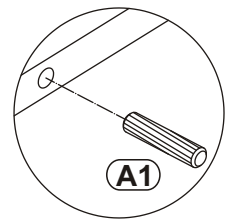
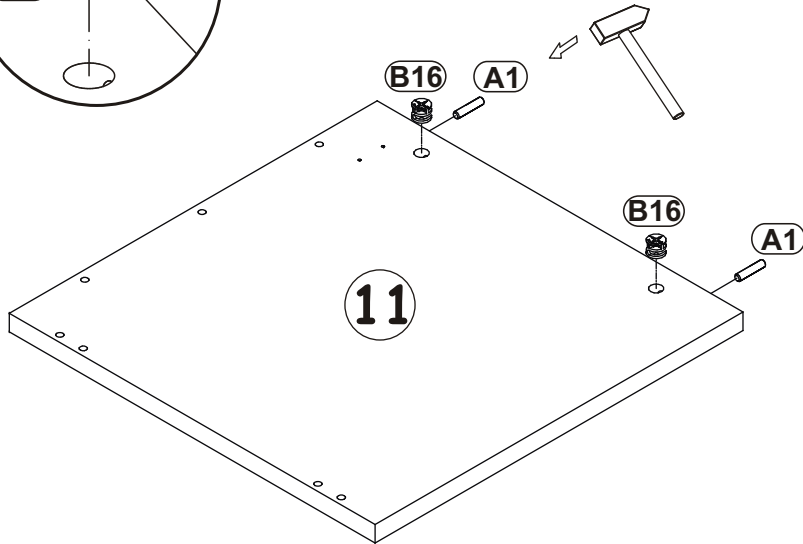
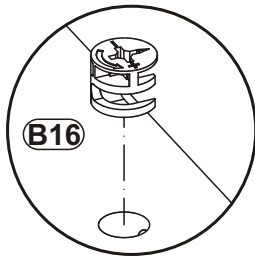
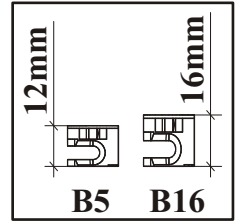
B16	
x2	Ø15x16

12mm		16mm	
	B5		B16

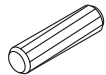
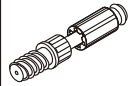



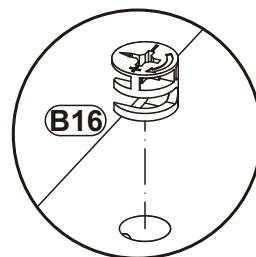
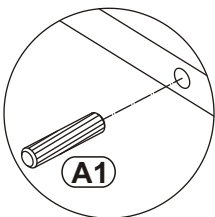
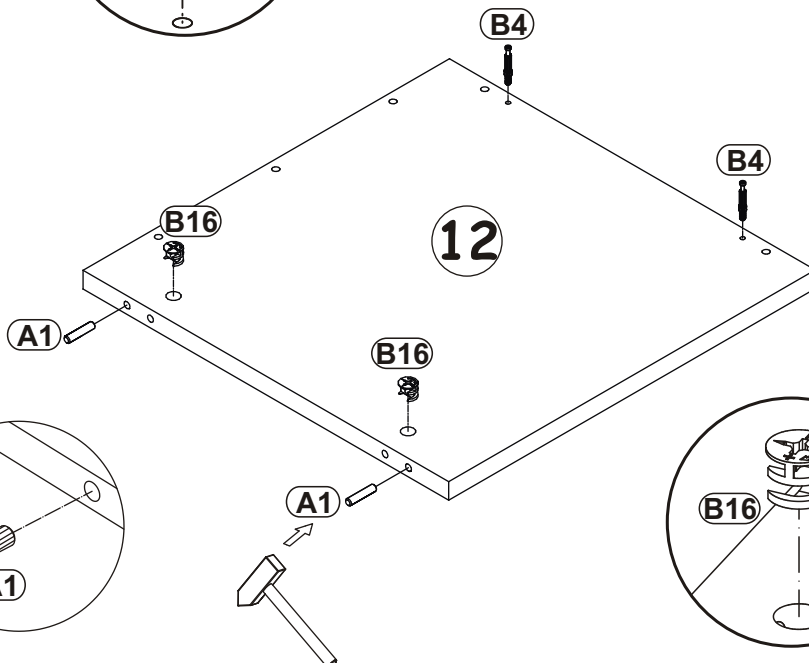
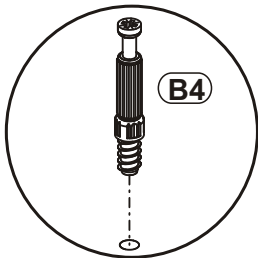
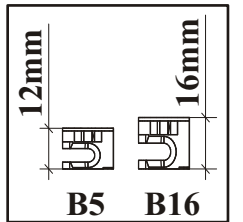
6

A1		B16	
x2	ø8x36	x2	Ø15x16

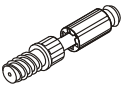


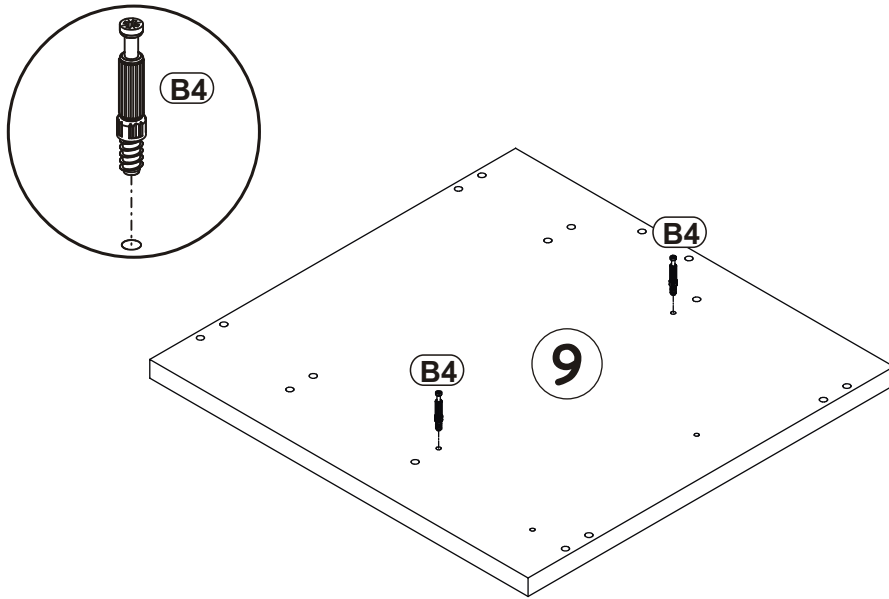
7

A1		B4		B16	
x2	ø8x36	x2		x2	Ø15x16

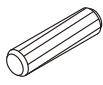



8

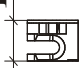

B4	
x2	

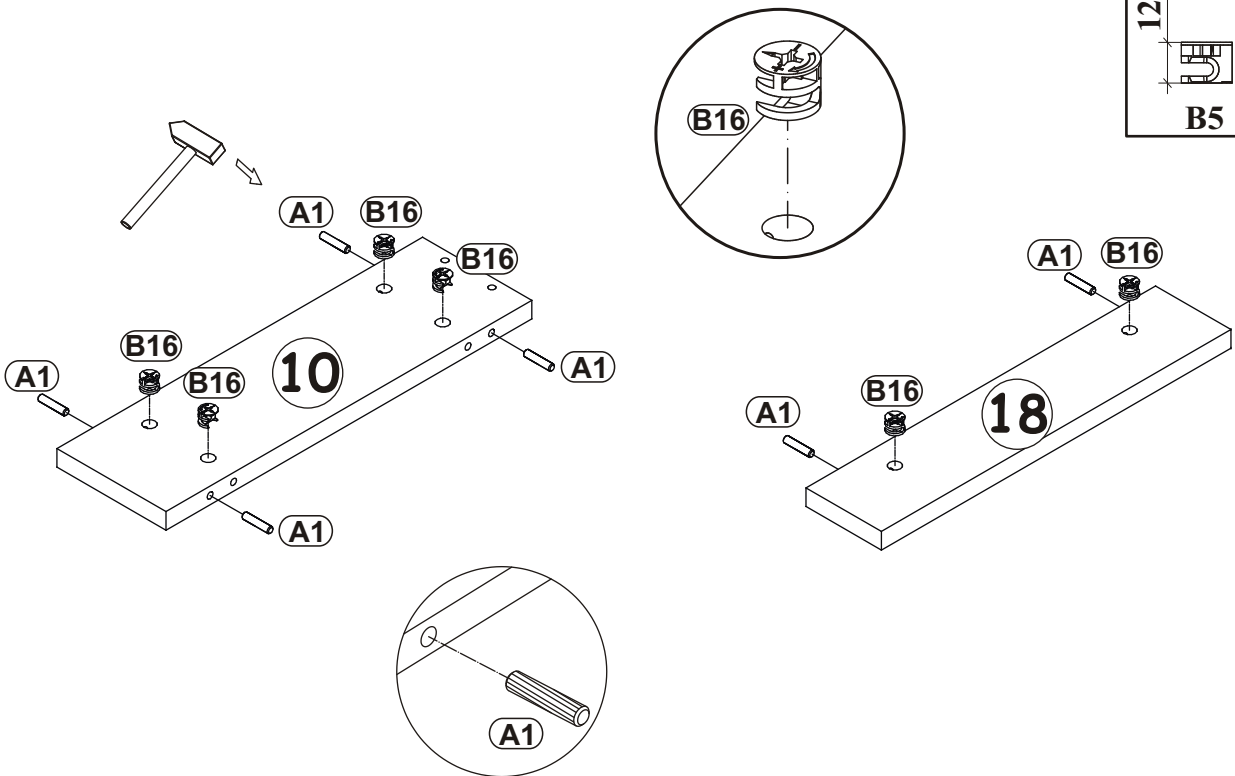


9

A1	
x6	ø8x36

B16	
x6	Ø15x16

12mm		16mm	
	B5		B16

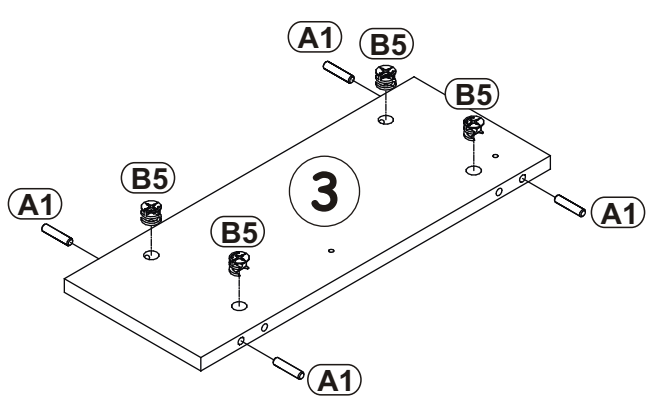
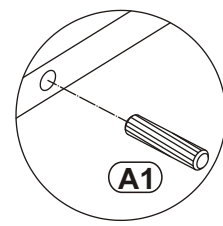
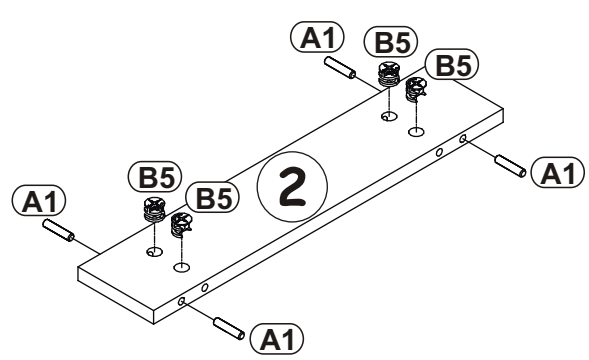
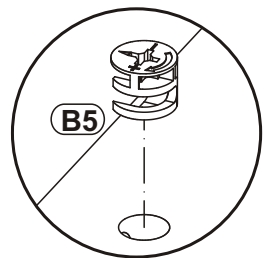
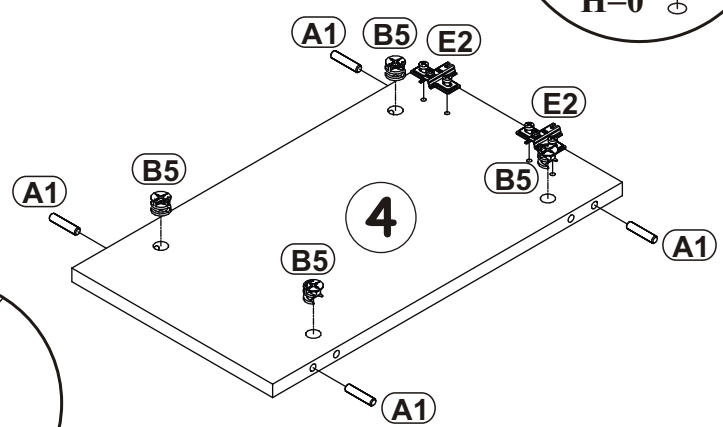
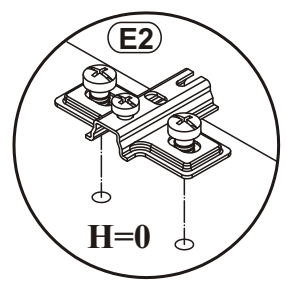
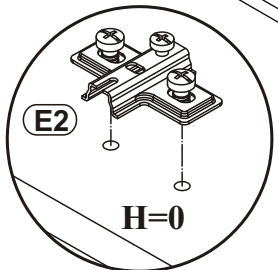
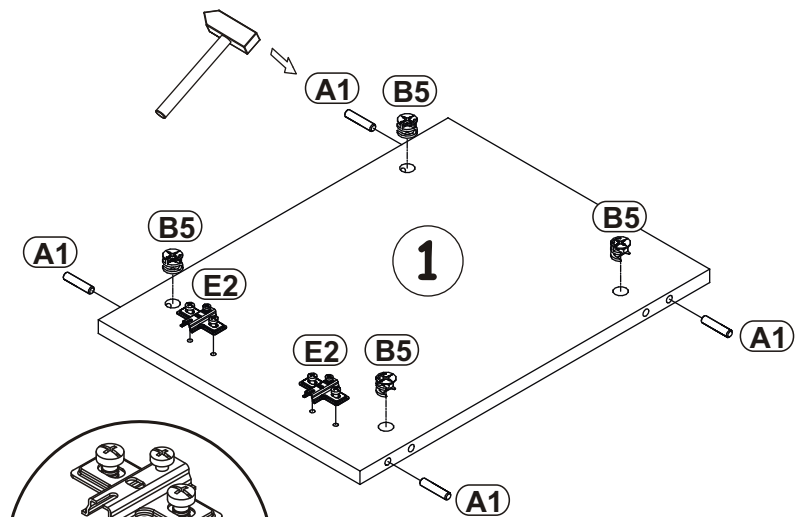
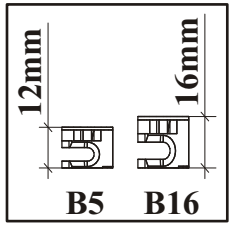


10

E2	
x4	H=0

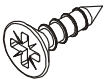
A1	
x16	ø8x36

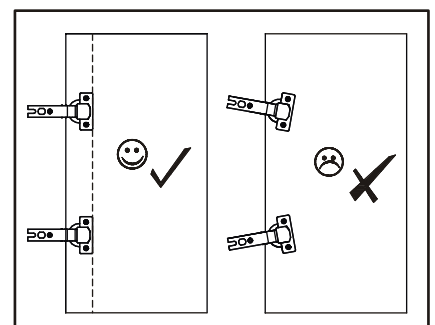
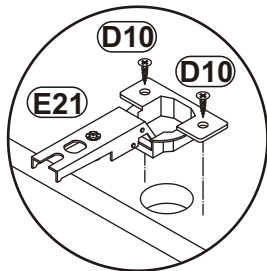
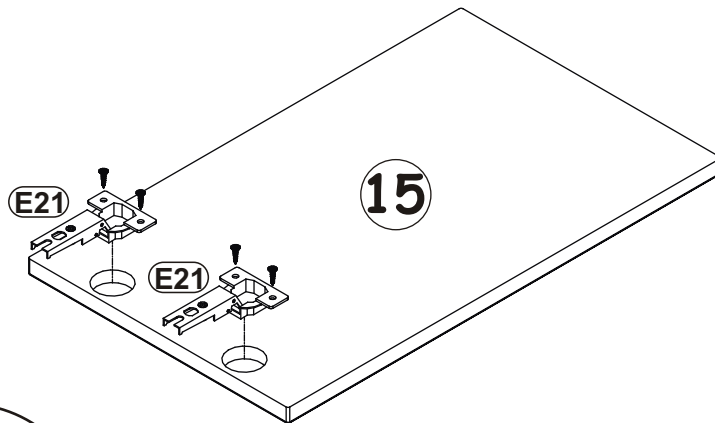
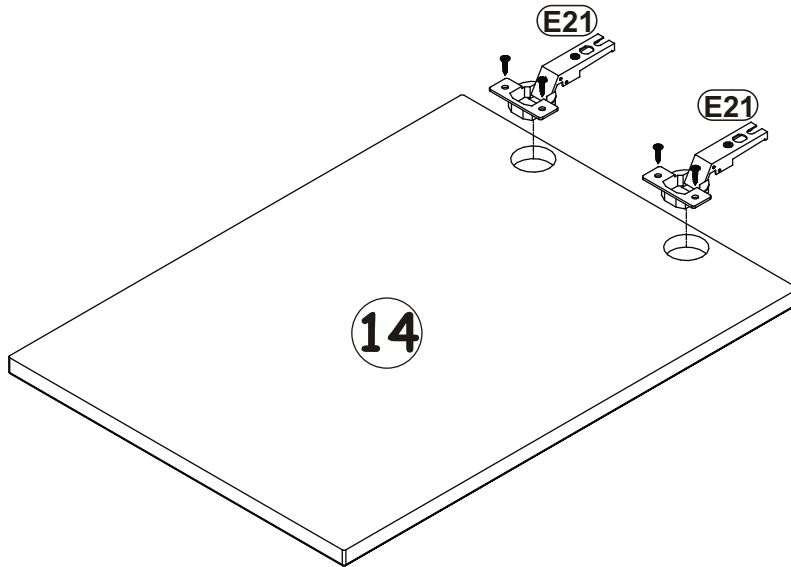
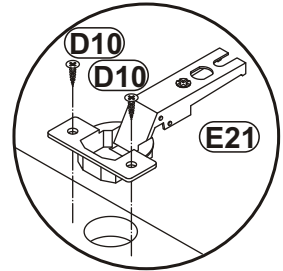
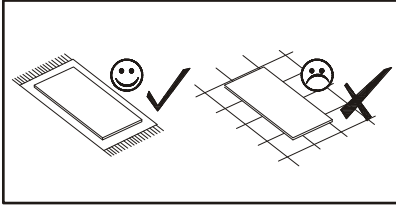
B5	
x16	ø15x12



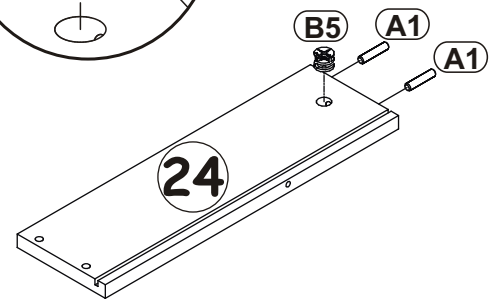
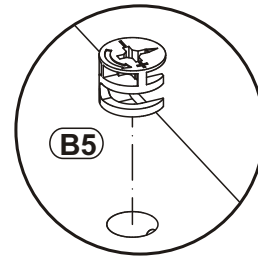
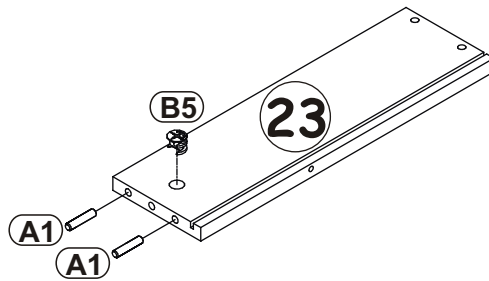
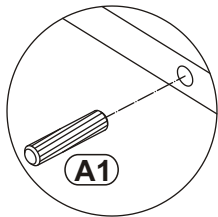
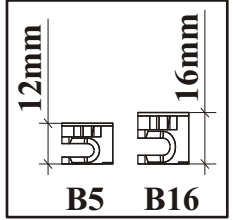
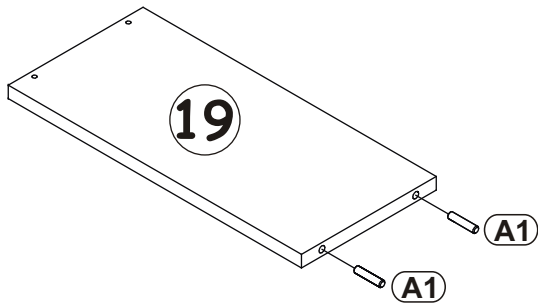
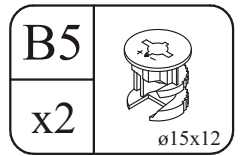
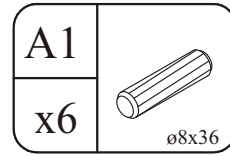


11

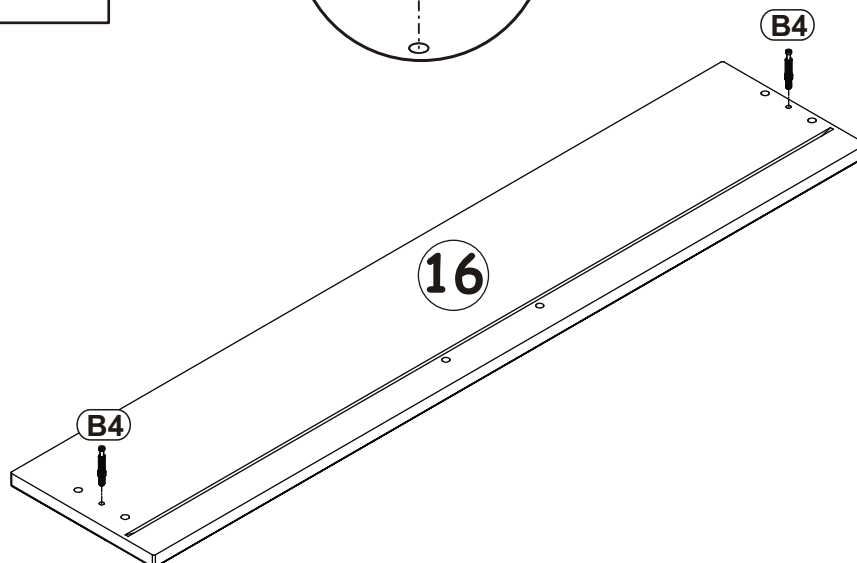
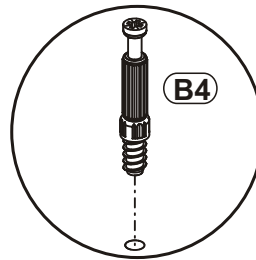
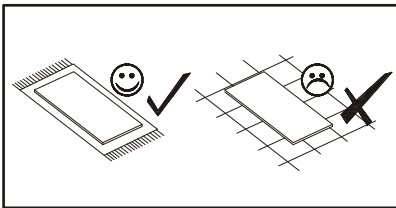
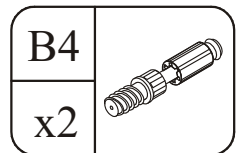
E21	Ø35	D10	 USØ3,5x13
x4	H=0	x8	



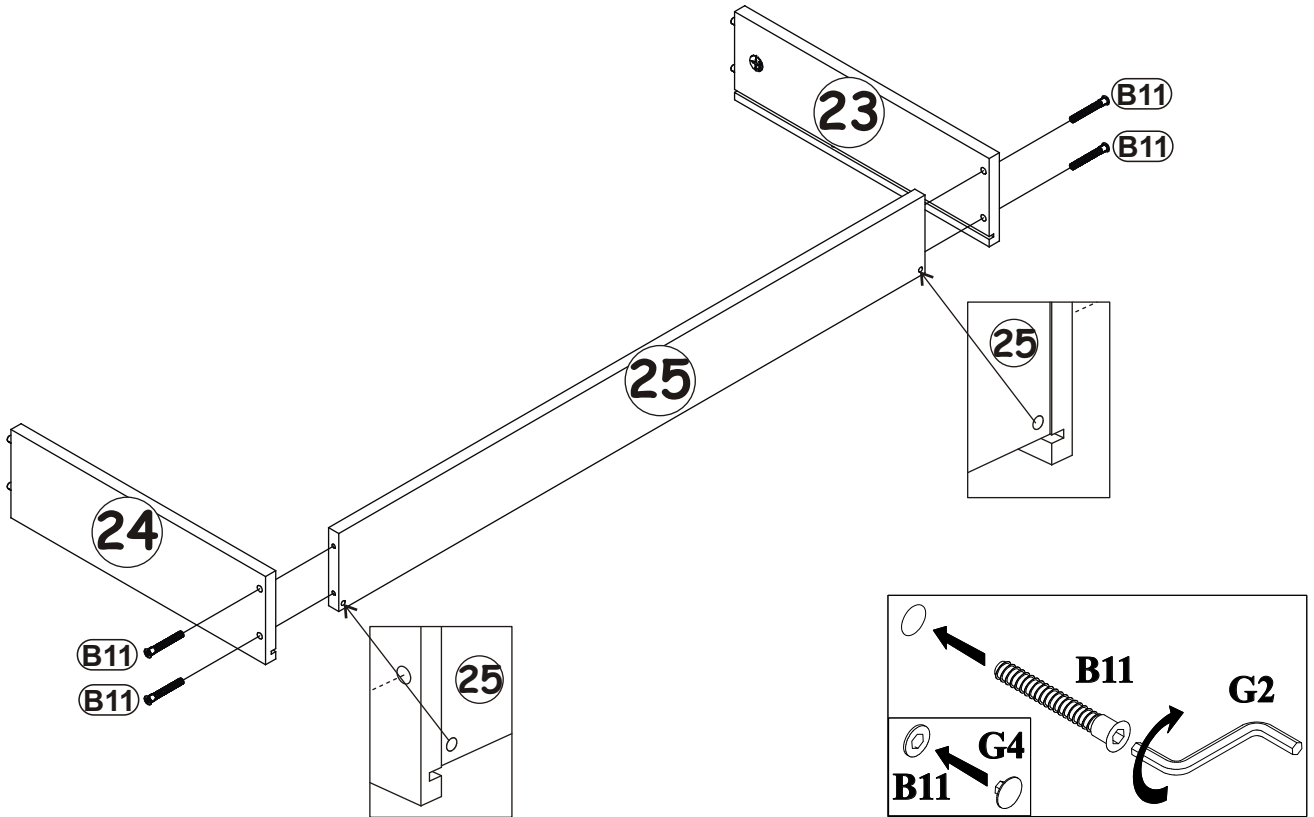
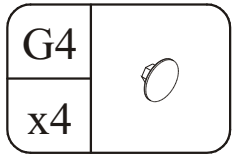
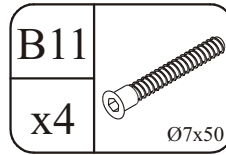
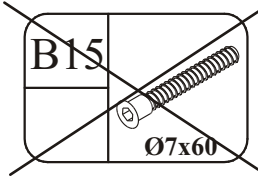
12



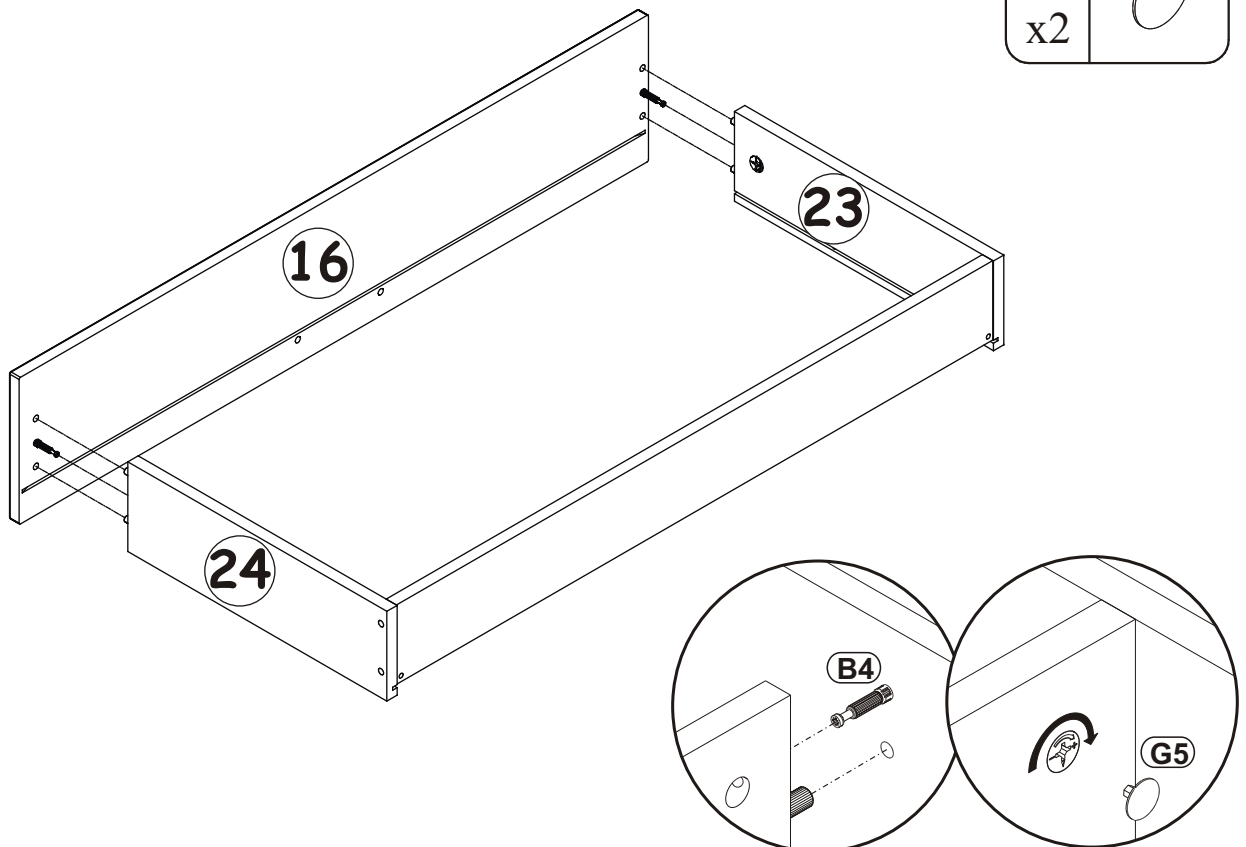
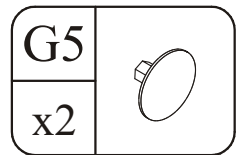
13



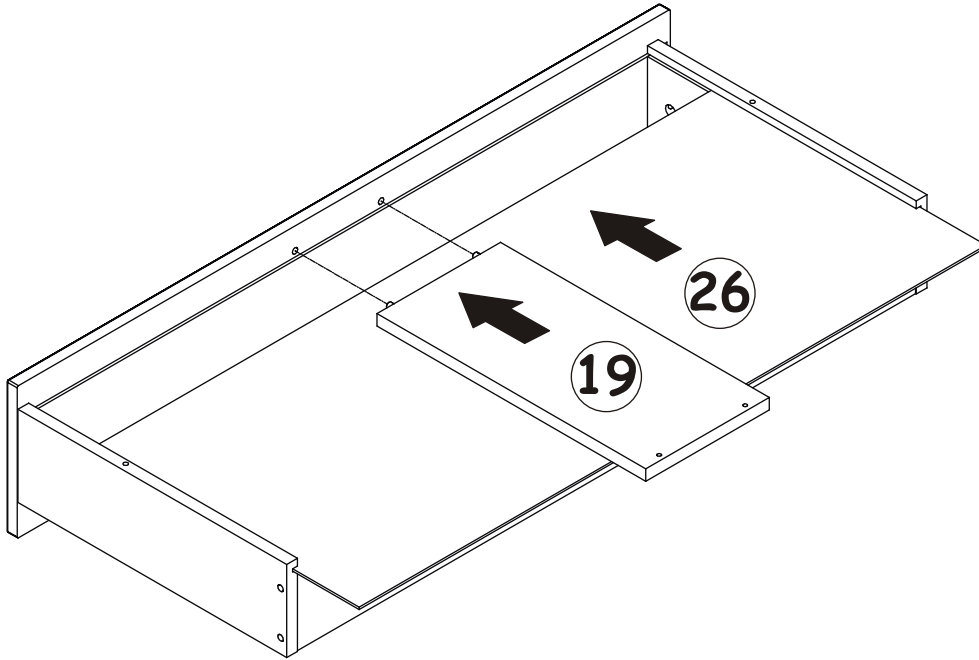
14



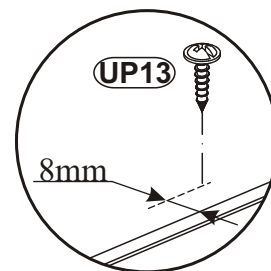
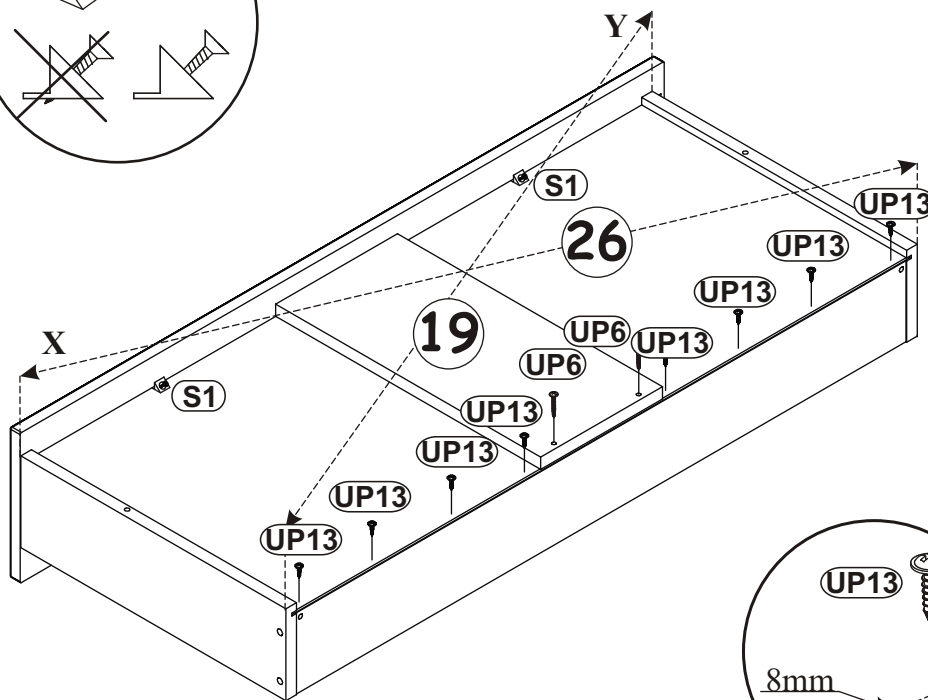
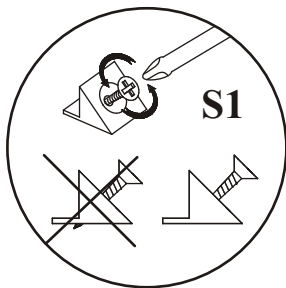
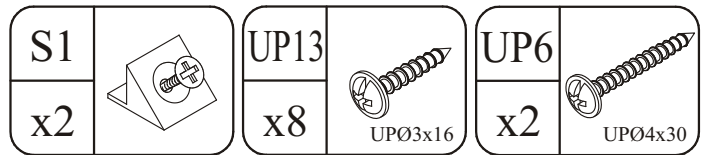
15



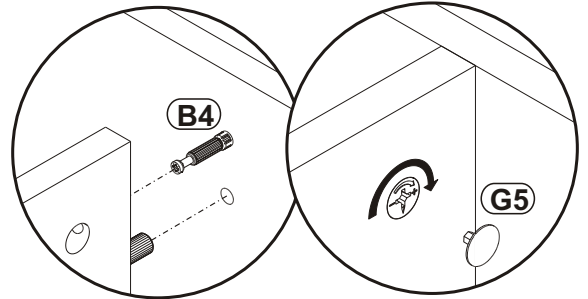
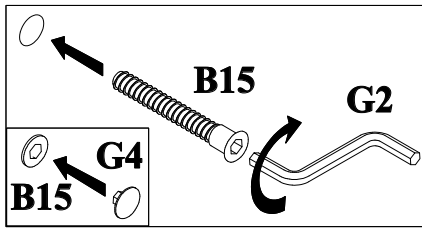
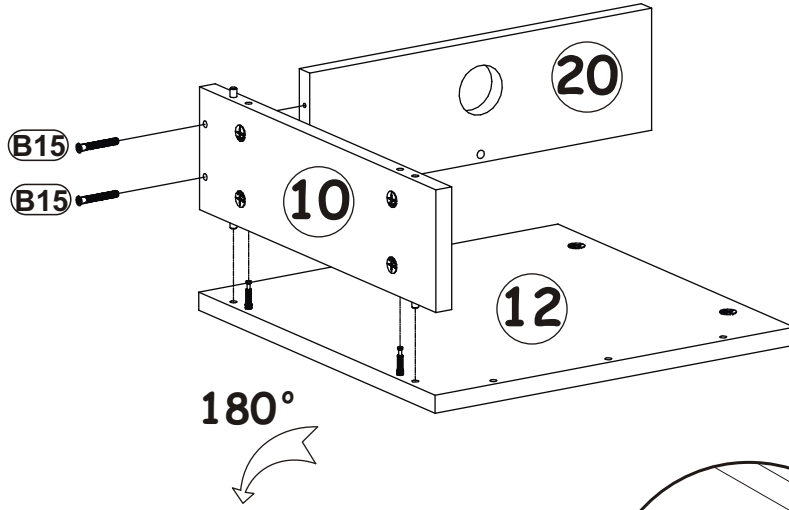
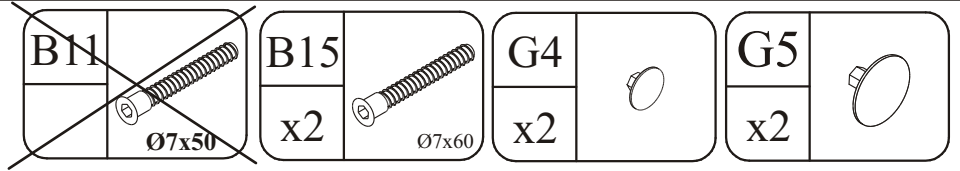
16



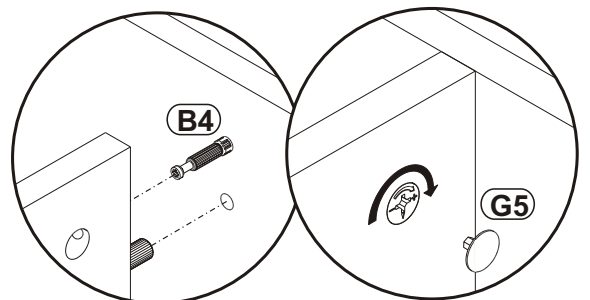
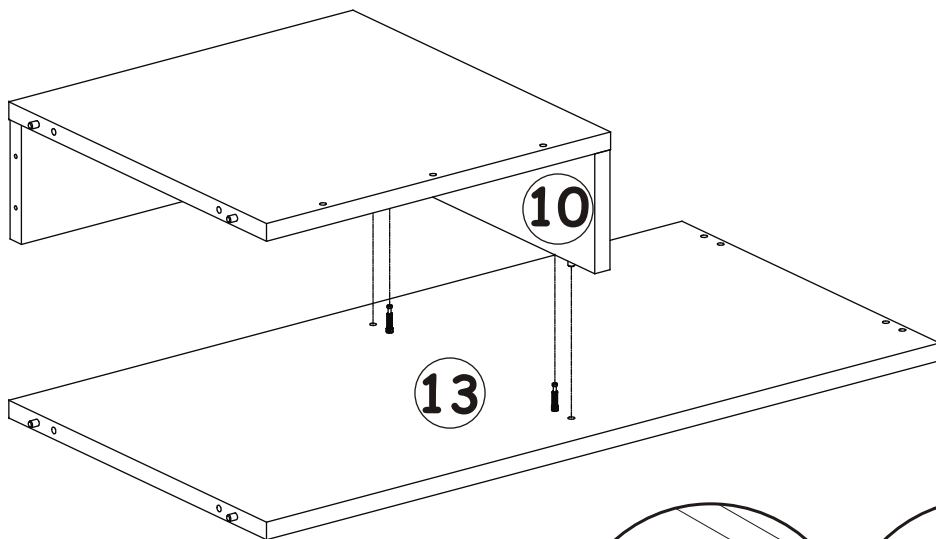
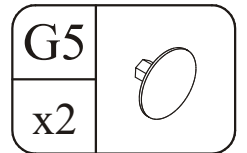
17



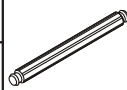
18




19

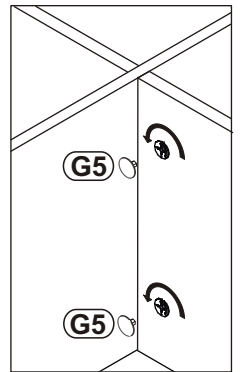
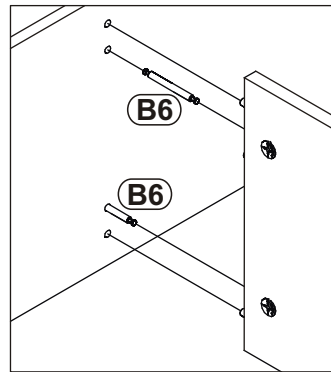
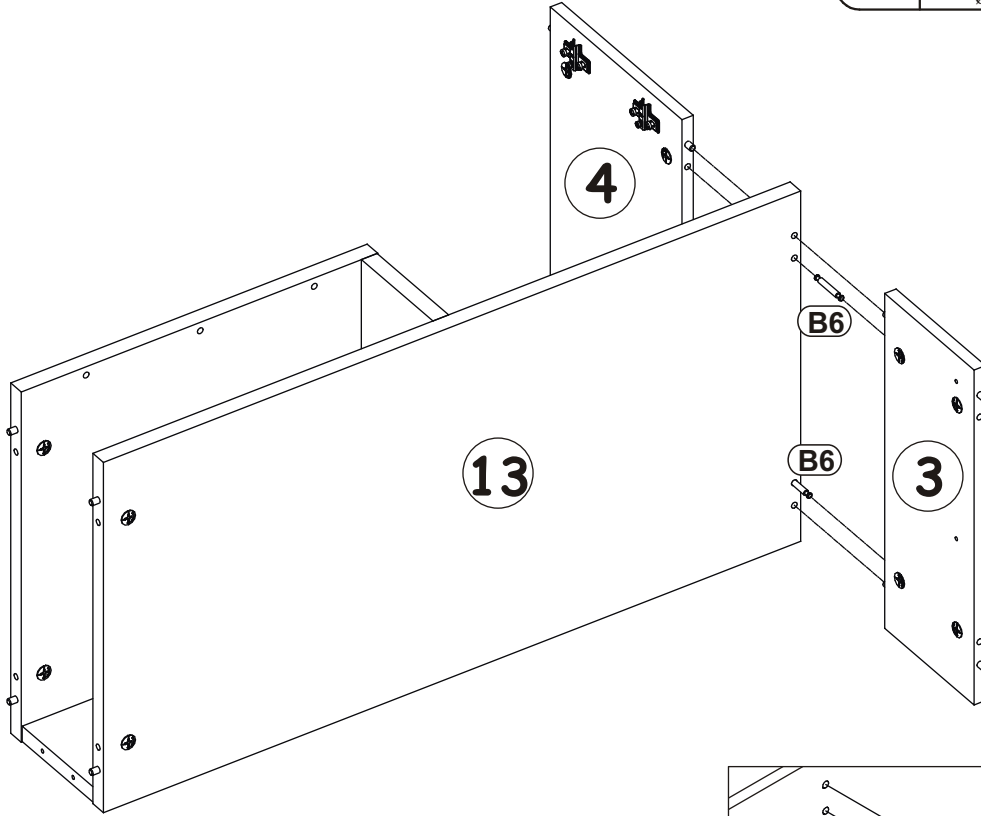


20


B6	
x2	

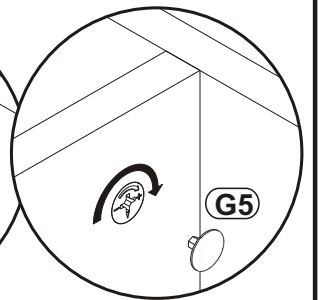
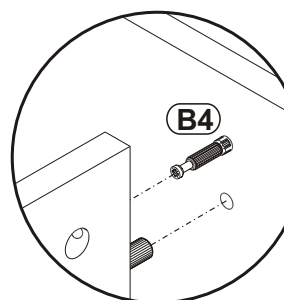
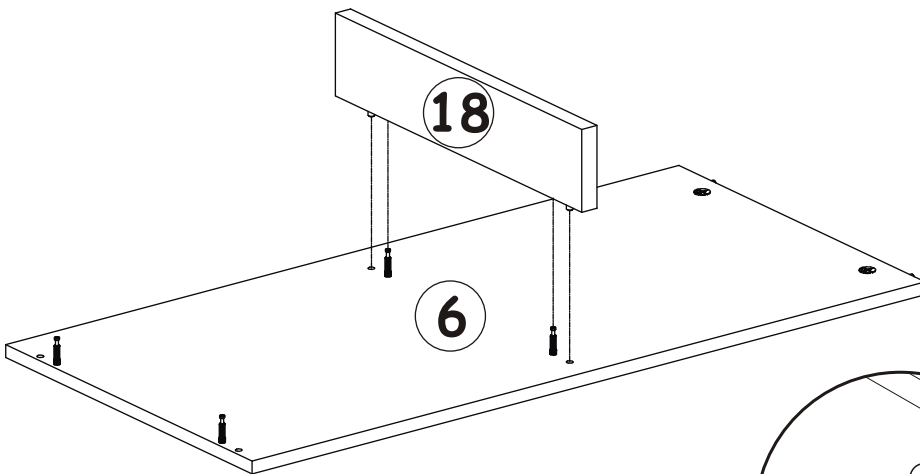
Ø7x76

G5	
x4	




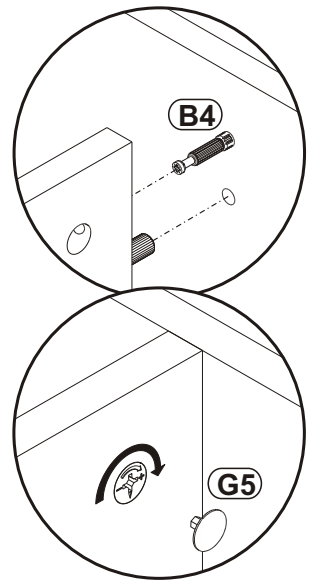
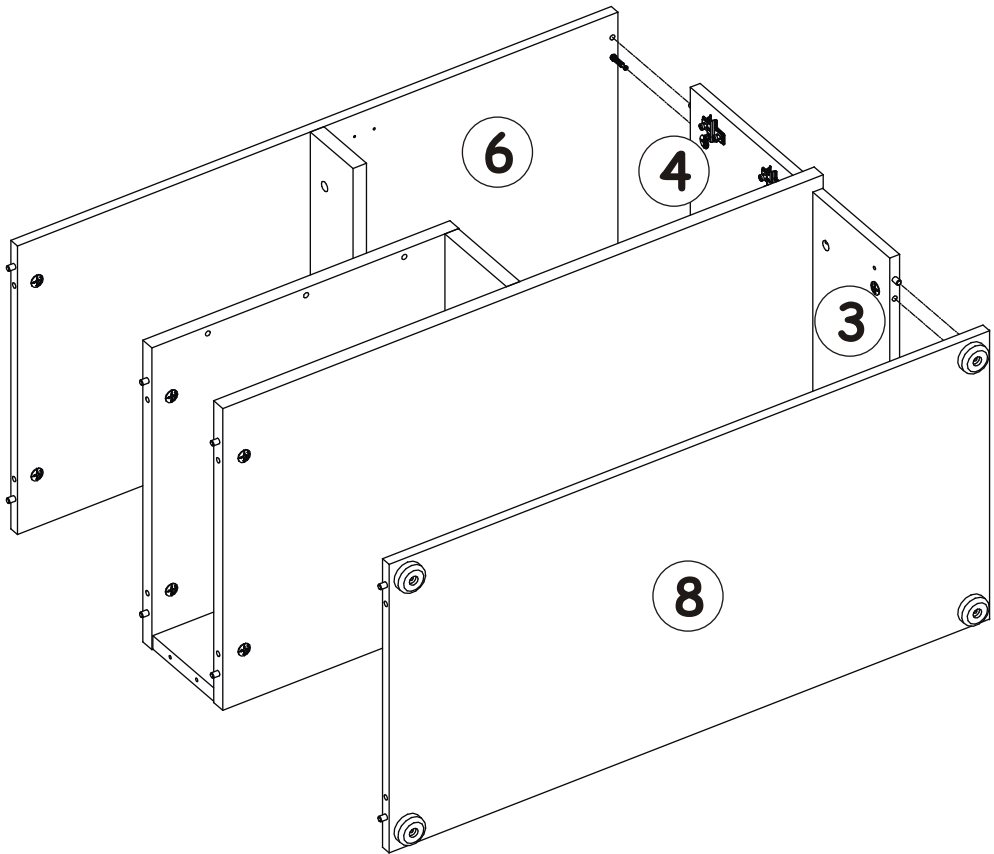
21

G5	
x2	

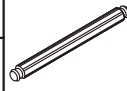



22

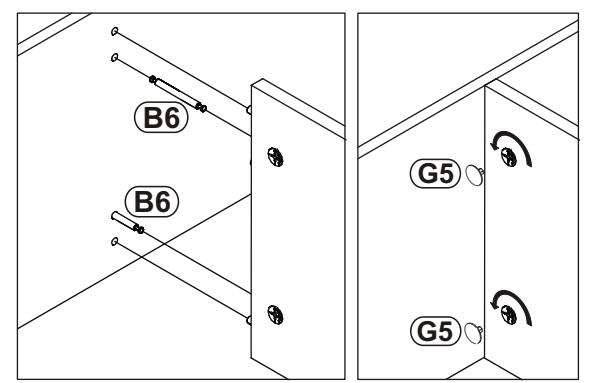
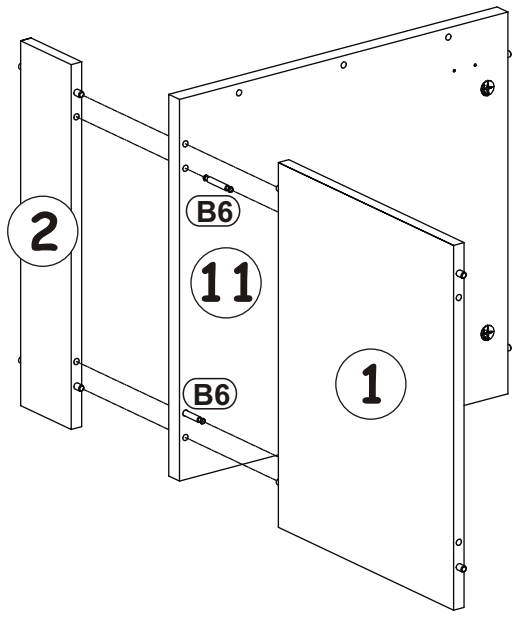
G5	
x4	



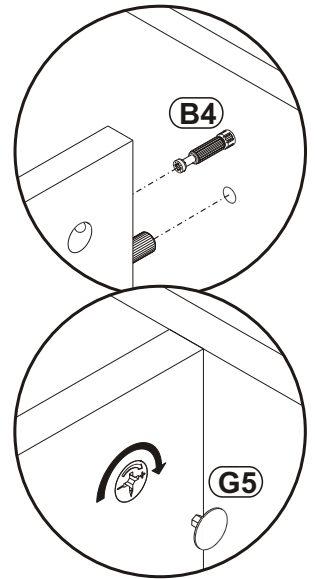
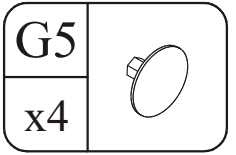
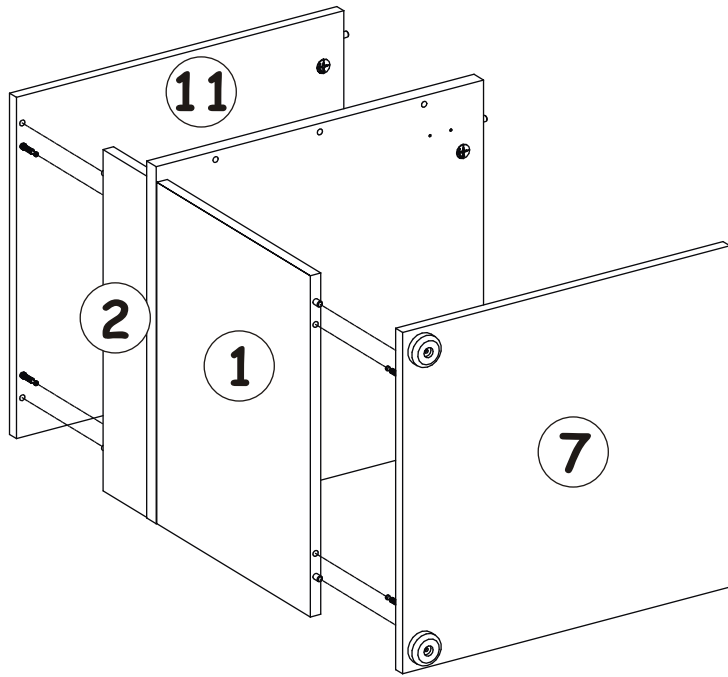
23

B6	
x2	Ø7x76

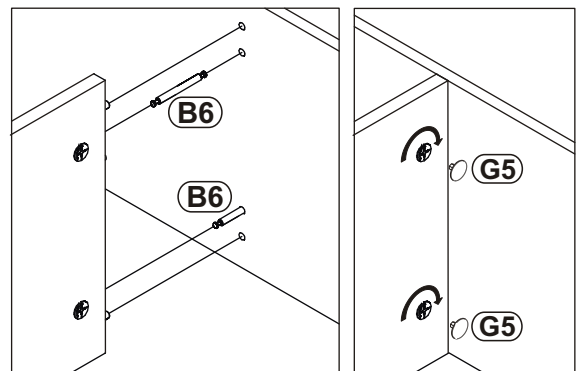
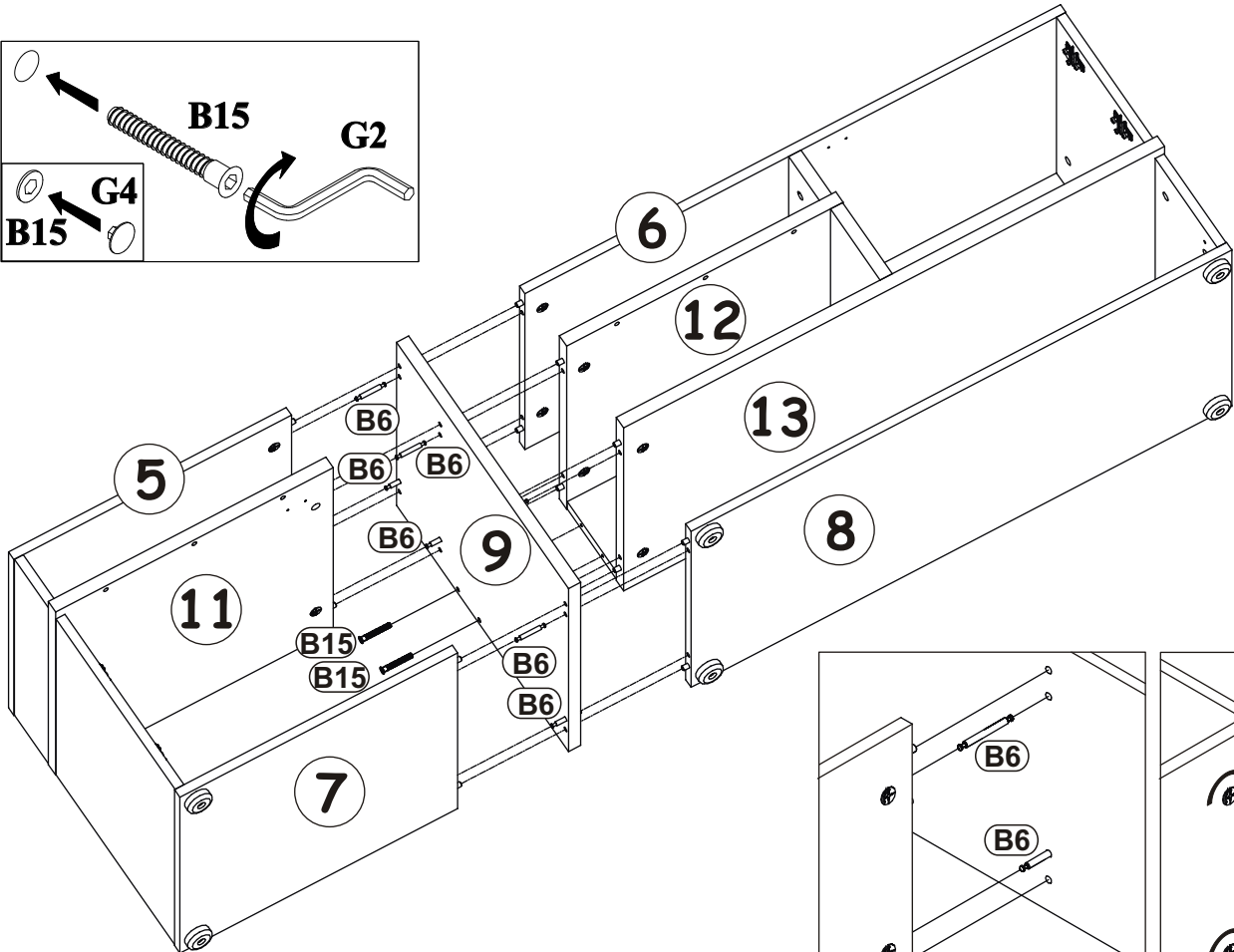
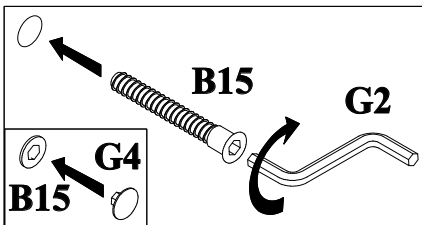
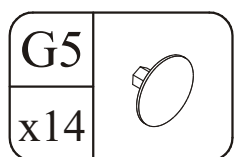
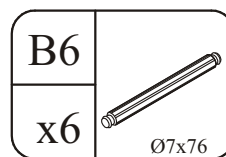
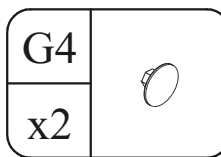
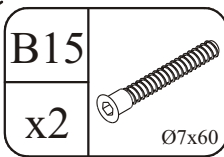
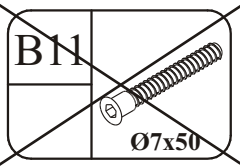
G5	
x4	



24



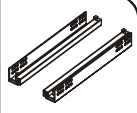

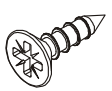



25

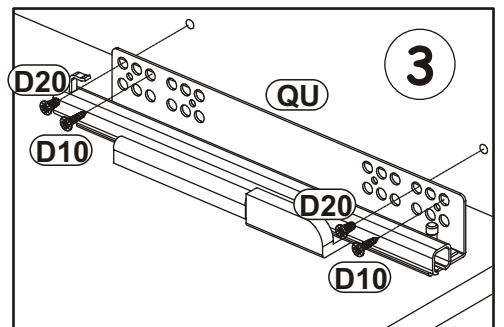
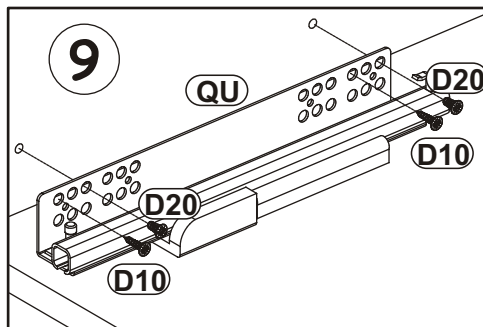
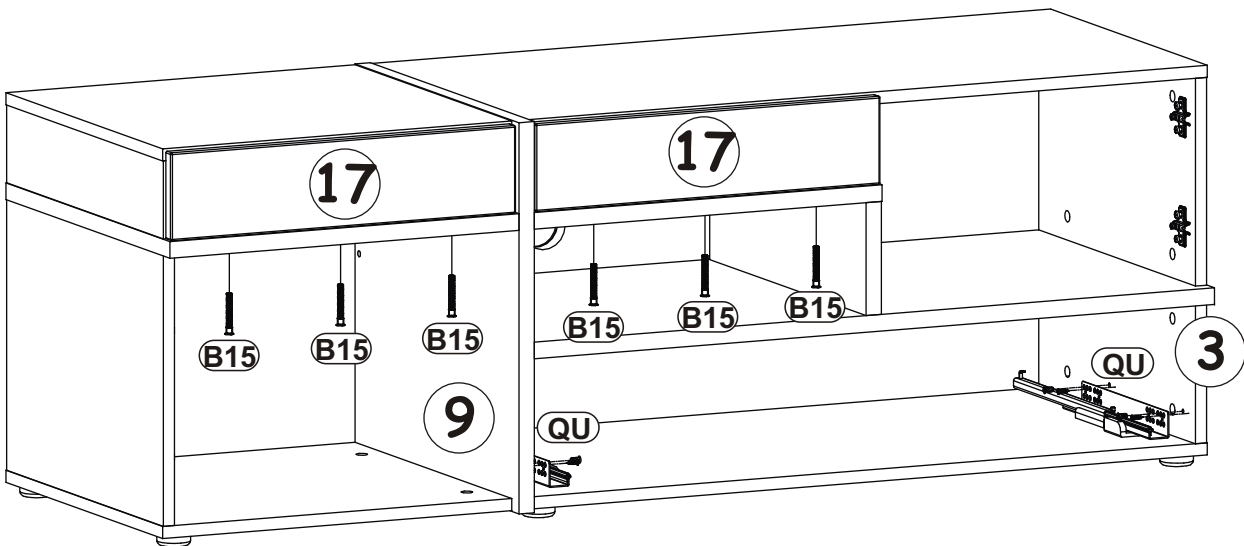
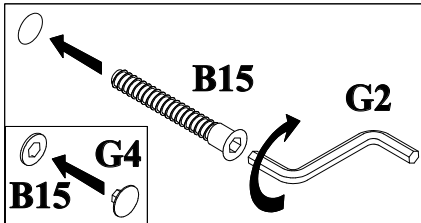




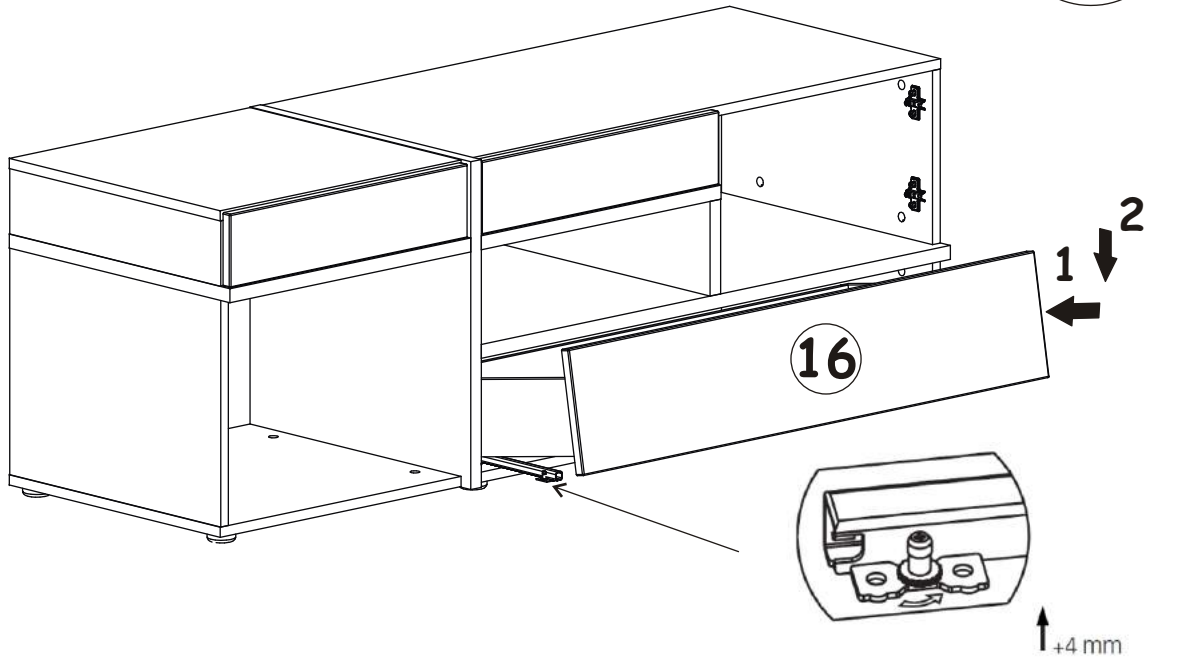


28

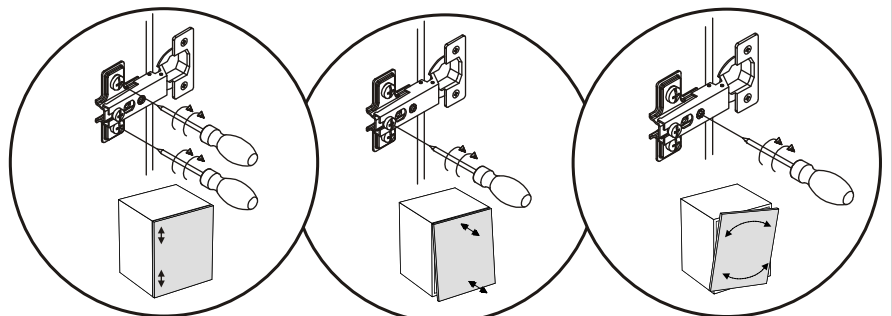
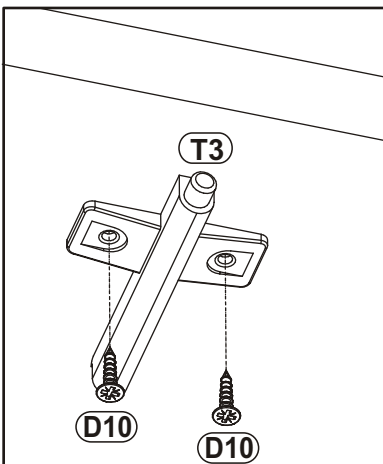
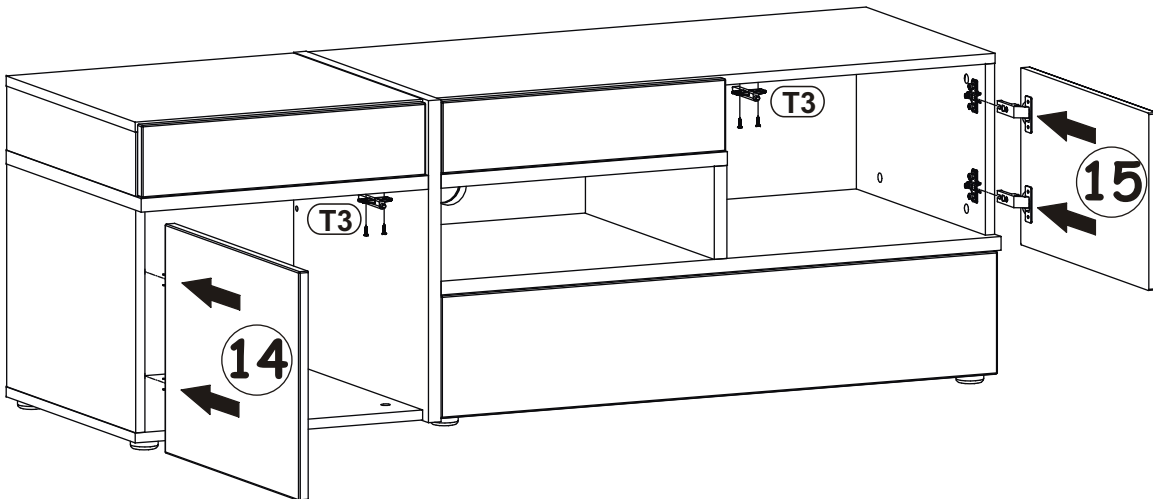
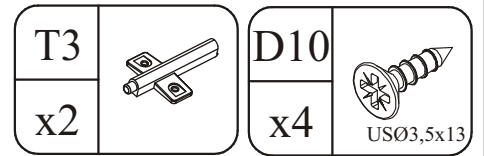
QU x1	 L-400mm	D20 x4	 ESØ6,3x9,5	D10 x4	 USØ3,5x13
<del>B11</del>	<del> Ø7x50</del>	B15 x6	 Ø7x60	G4 x6	



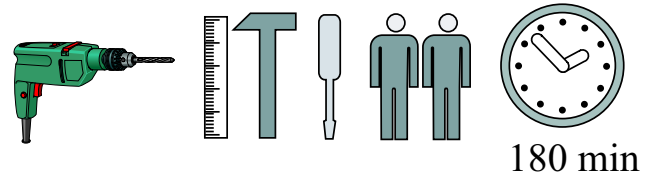
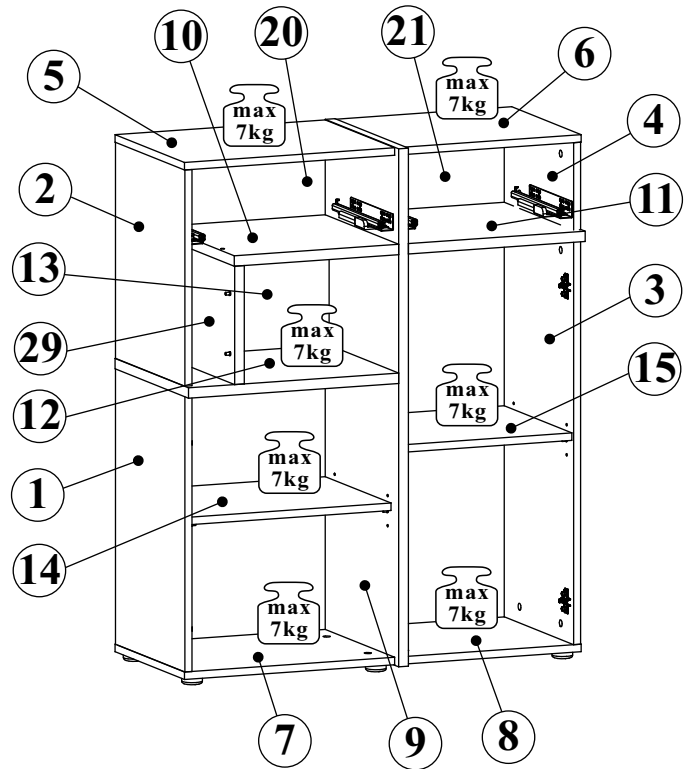
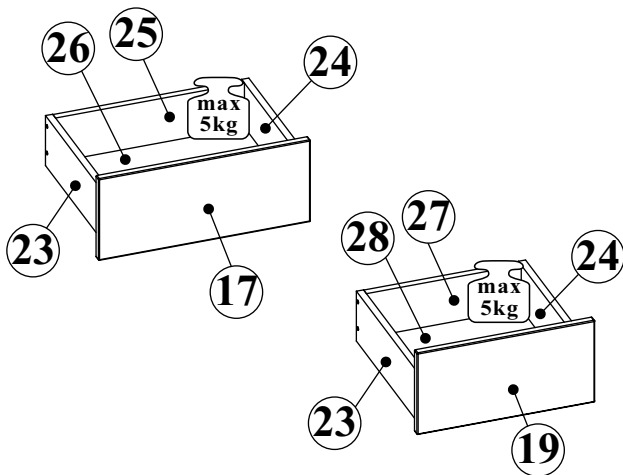
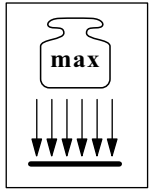
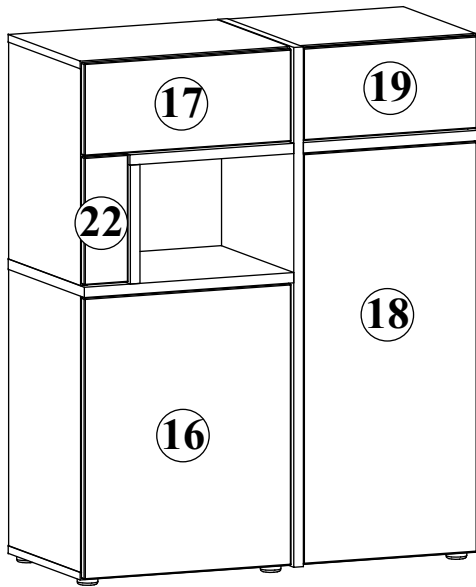
29



30



# CROSS 28PEWCS WSN

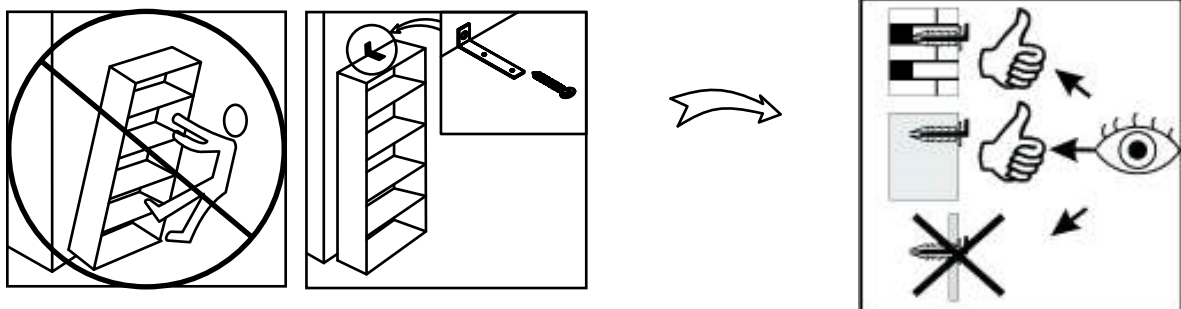
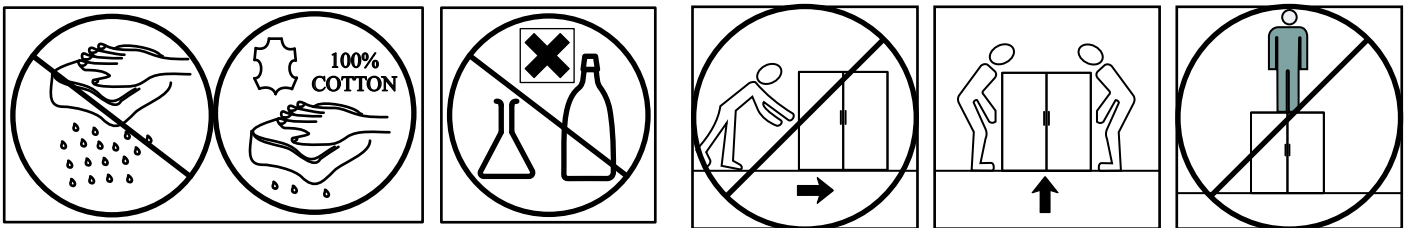
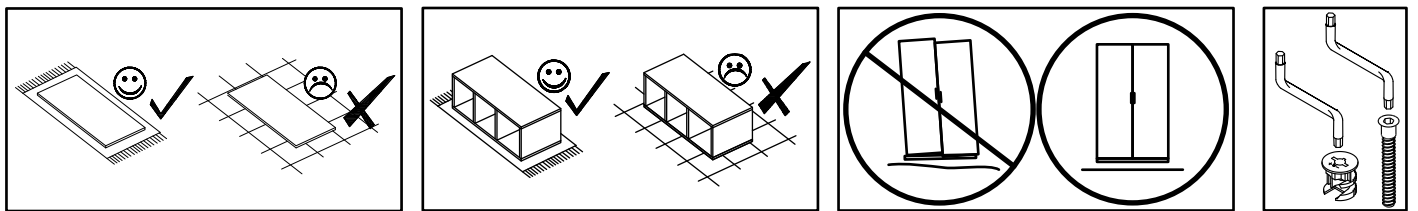
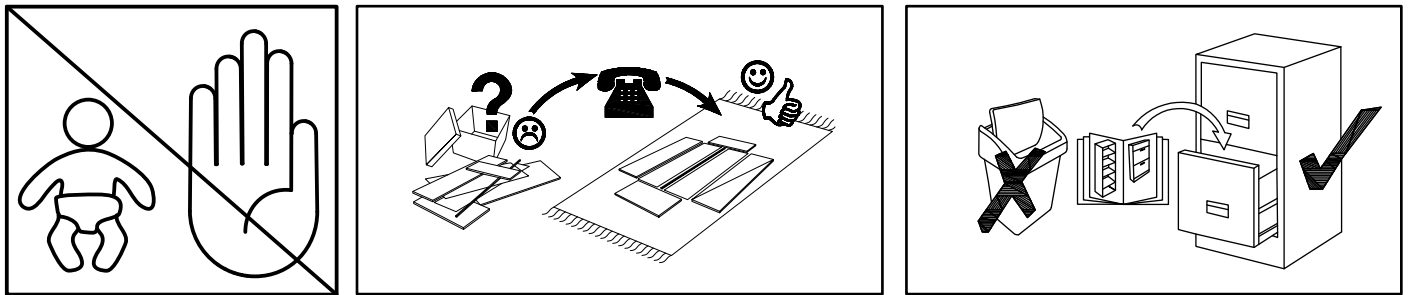
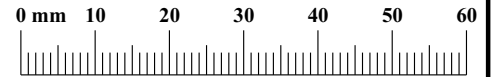


NO	Dim.		Col.-No	Qty	
1	586	377	16	2	1
2	460	377	16	2	1
3	860	377	16	2	1
4	186	377	16	2	1
5	478	377	16	2	1
6	402	377	16	2	1
7	478	377	16	2	1
8	402	377	16	2	1
9	1102	399	22	1	1
10	374	399	22	1	1
11	402	399	22	1	1
12	478	399	22	1	1
13	350	251	22	1	1
14	461	367	16	2	1
15	385	367	16	2	1


NO	Dim.		Col.-No	Qty	
16	596	472	16	1	1
17	196	472	16	1	1
18	870	396	16	1	1
19	196	396	16	1	1
20	1094	485	3	1	1
21	1094	410	3	1	1
22	271	100	16	1	1
23	350	120	16	2	2
24	350	120	16	2	2
25	421	106	16	2	1
26	354	433	3	2	1
27	345	106	16	2	1
28	354	357	3	2	1
29	252	399	22	1	1

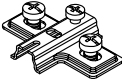
# CROSS 28PEWCS WSN


A1 x42 ø8x36	B4 x14	B6 x10 Ø7x76	B5 x28 ø15x12	B16 x6 Ø15x16	G5 x34
E21 x4 Ø35 H=0	E2 x4 H=0	D10 x22 USØ3,5x13	QU x2 L-350mm	D20 x8 ESØ6,3x9,5	G7 x10
I11 x6 Ø45, h=15	UP15 x6 UPØ4x25	S1 x2	G16 x10	UP13 x42 UPØ3x16	T3 x2
B11 x8 Ø7x50	B15 x8 Ø7x60	G4 x16	L6 x2	D31 x4 EKØ6,3x13	G2 x1
KR1 x1	L1 x1				

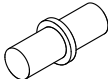


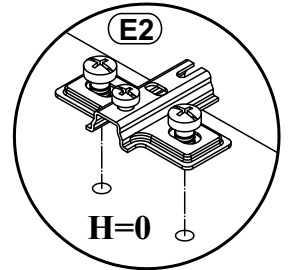
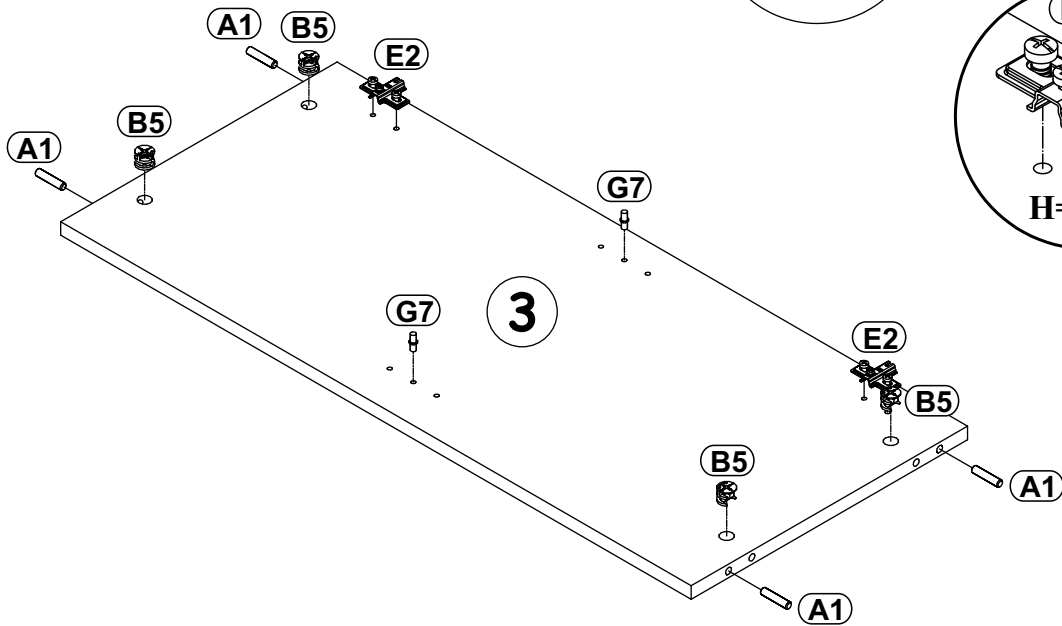
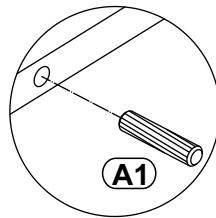
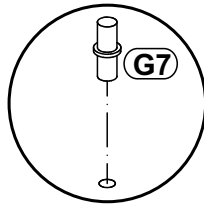
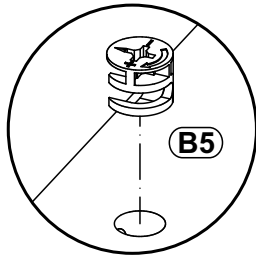
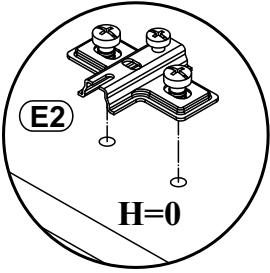
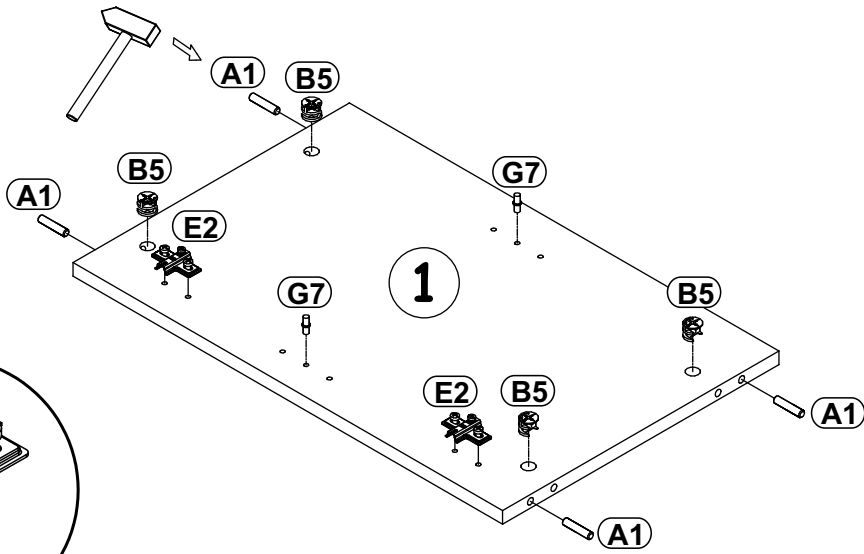
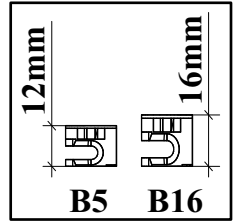
1

A1	
x8	ø8x36

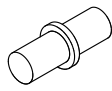
E2	
x4	H=0

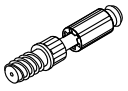
B5	
x8	ø15x12

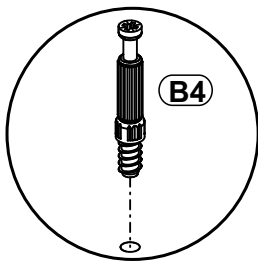
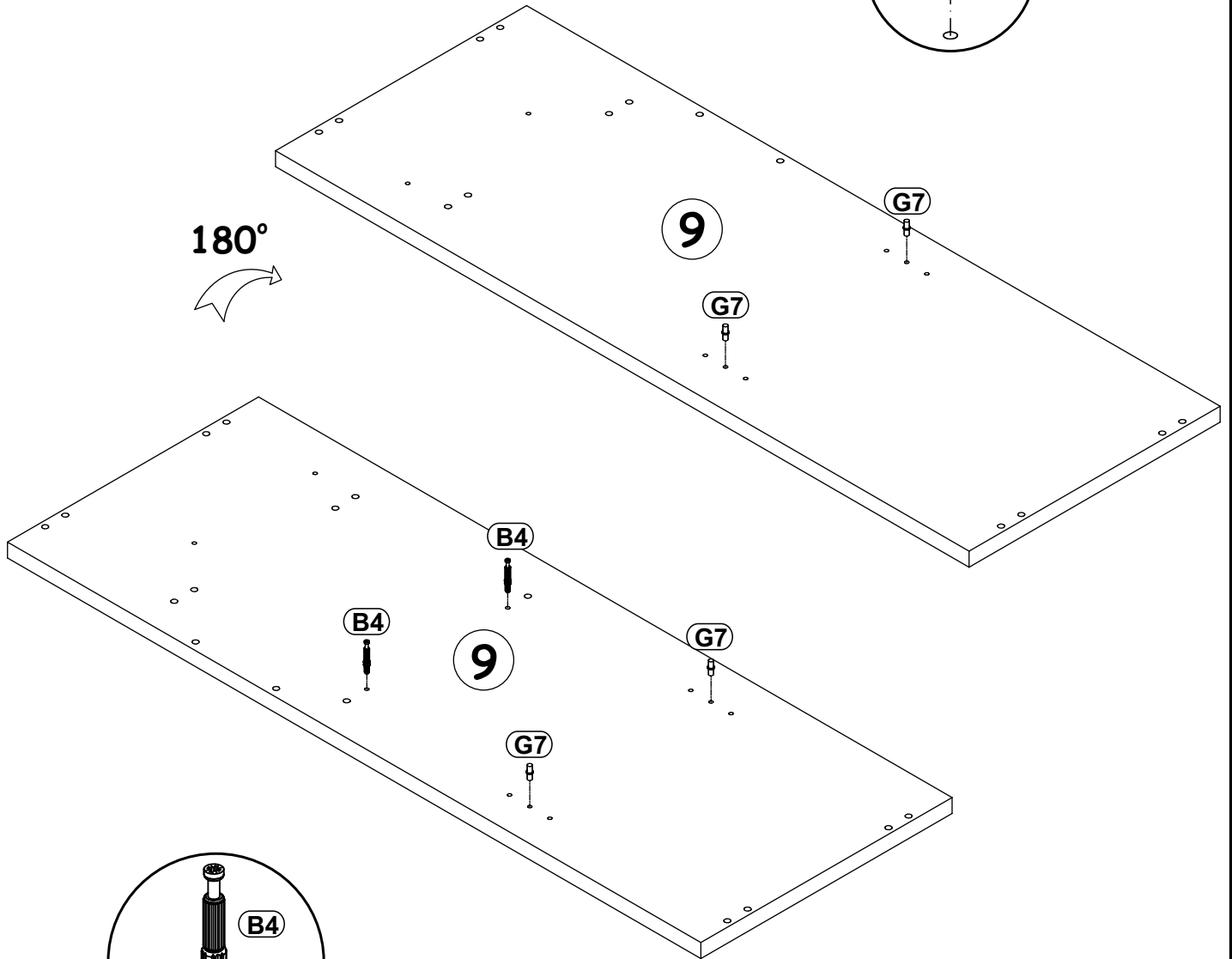
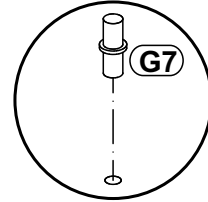
G7	
x4	



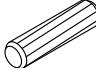
2


G7	
x4	

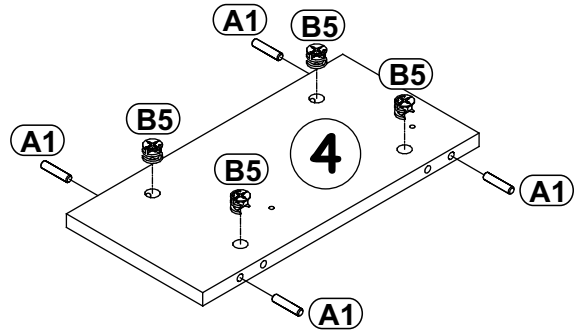
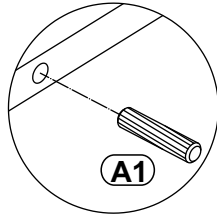
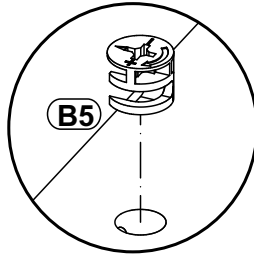
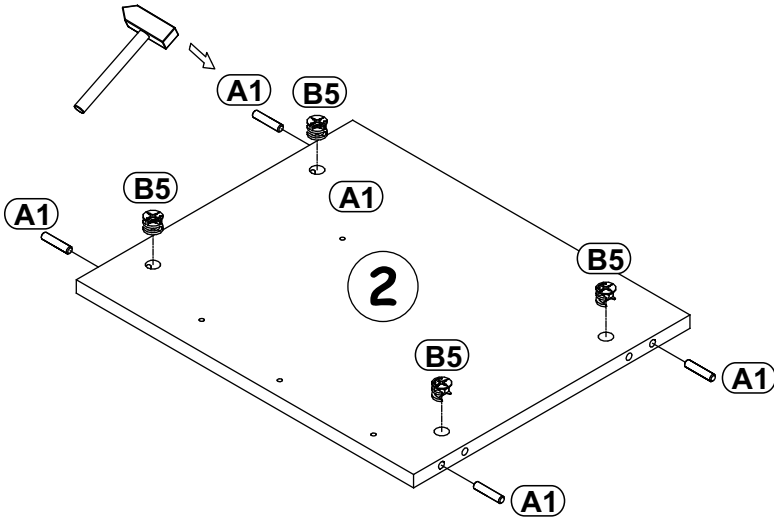
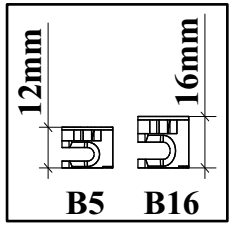
B4	
x2	



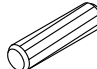
3

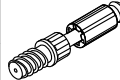
A1	
x8	ø8x36


B5	
x8	ø15x12

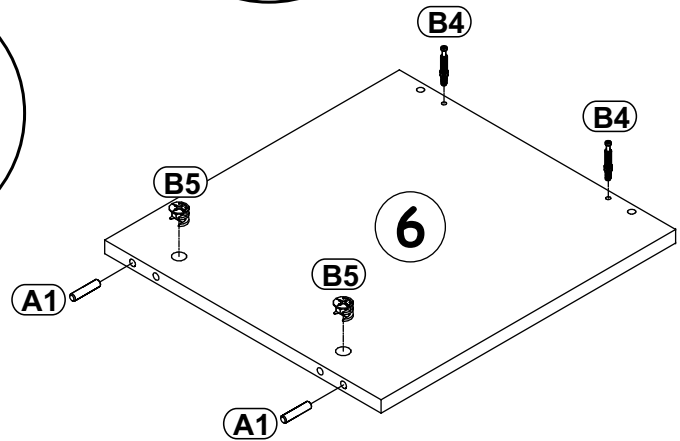
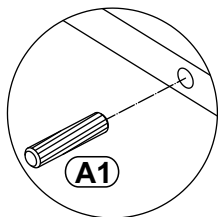
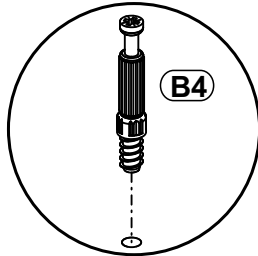
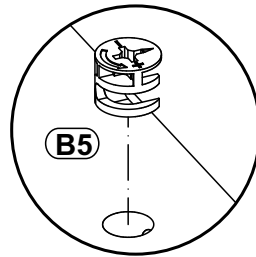
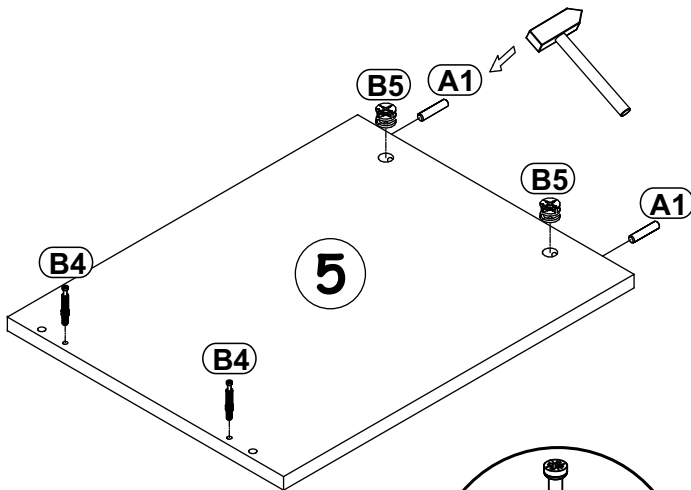


4

A1	
x4	ø8x36

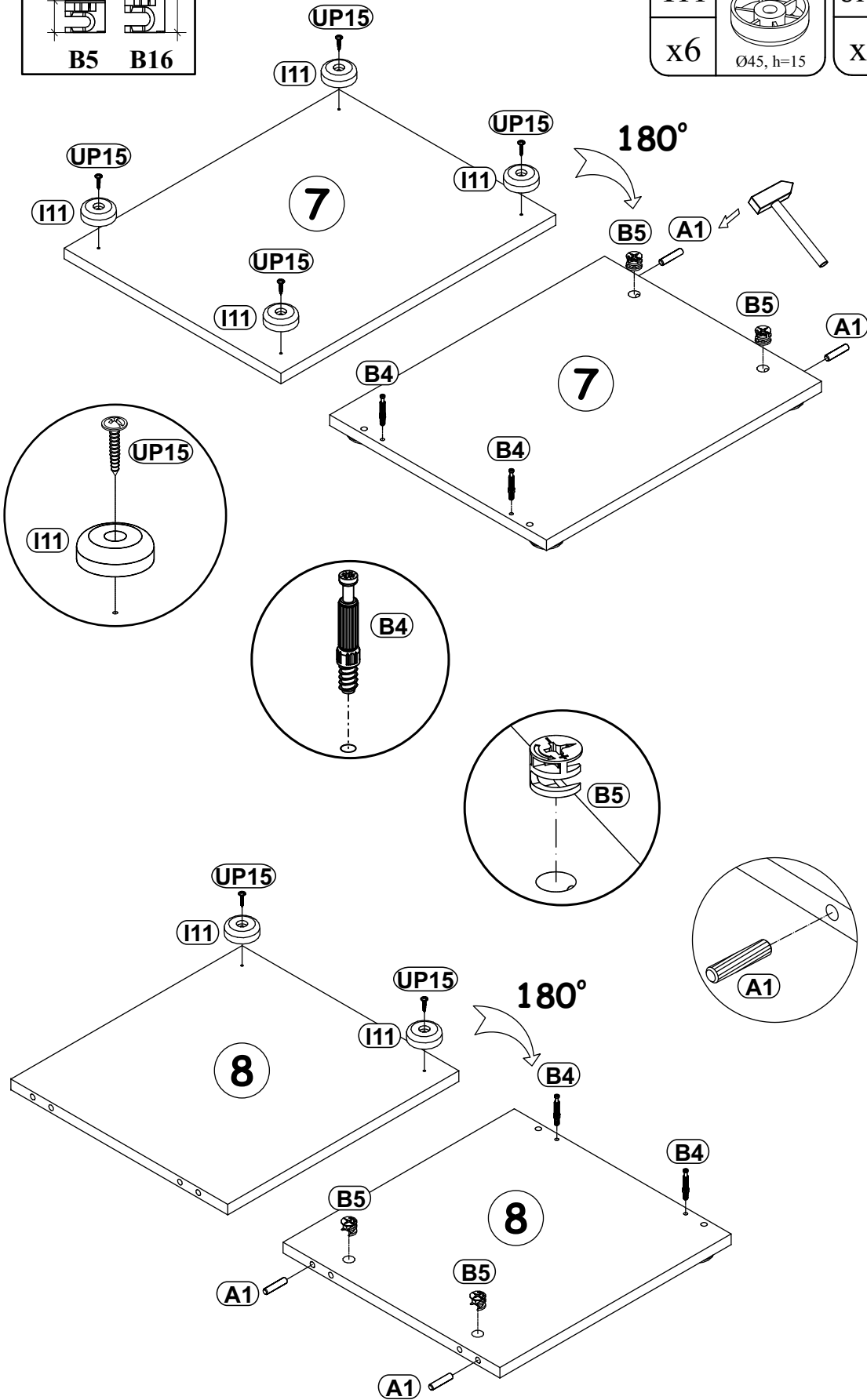
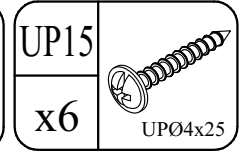
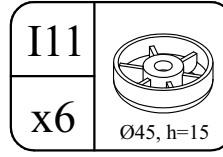
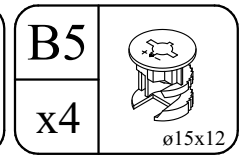
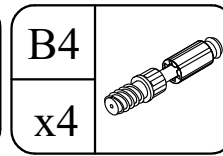
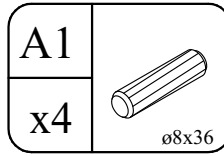
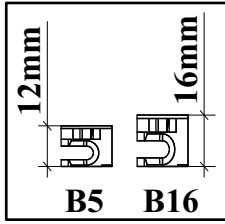
B4	
x4	

B5	
x4	ø15x12

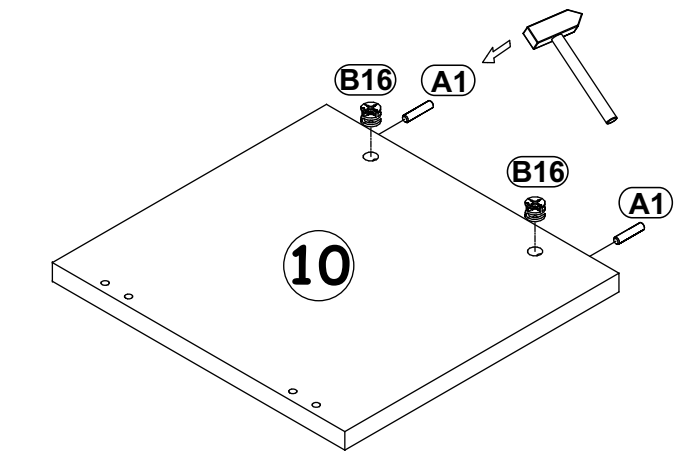


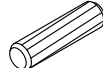



5

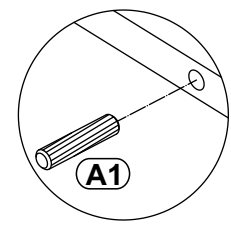
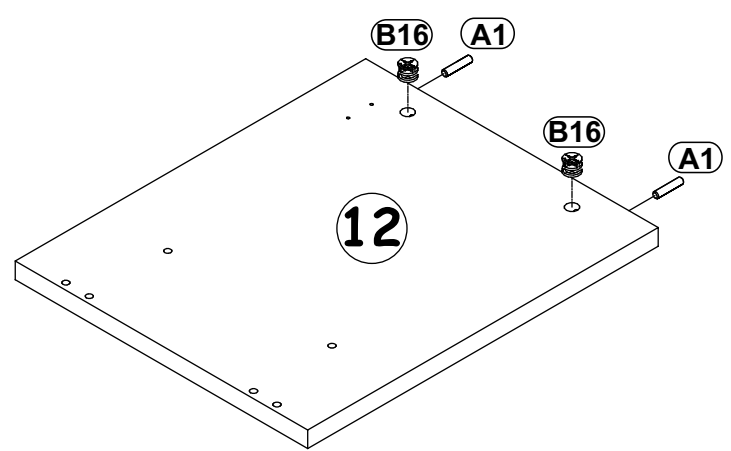
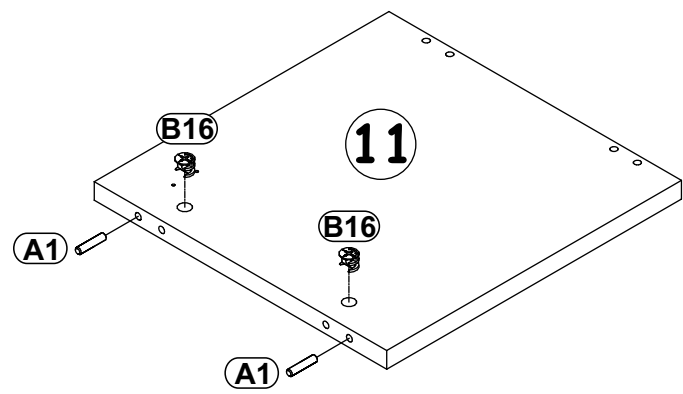
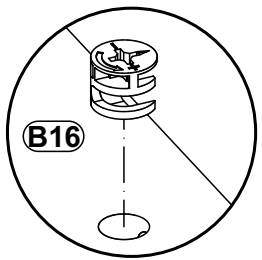
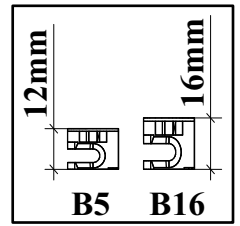


6

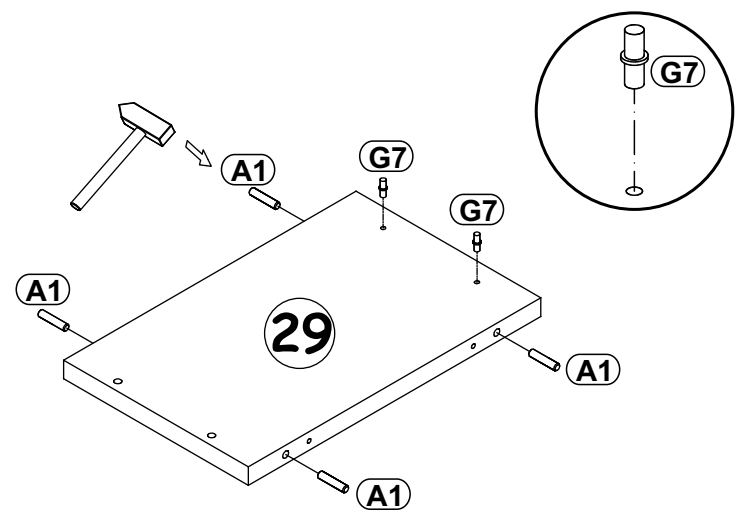


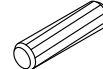
A1	
x6	ø8x36

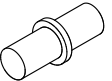
B16	
x6	Ø15x16

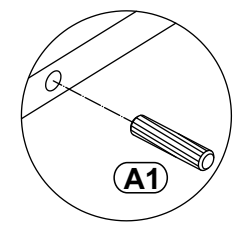
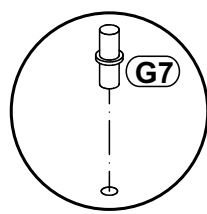


7

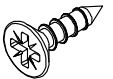


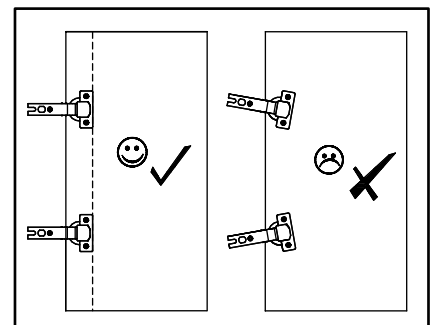
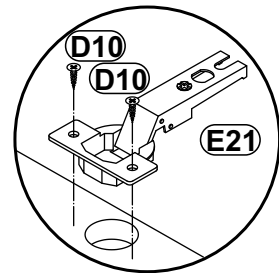
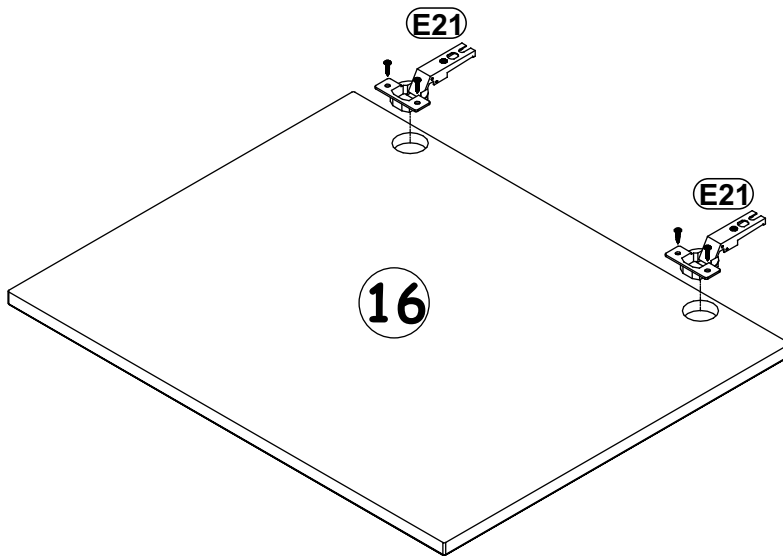
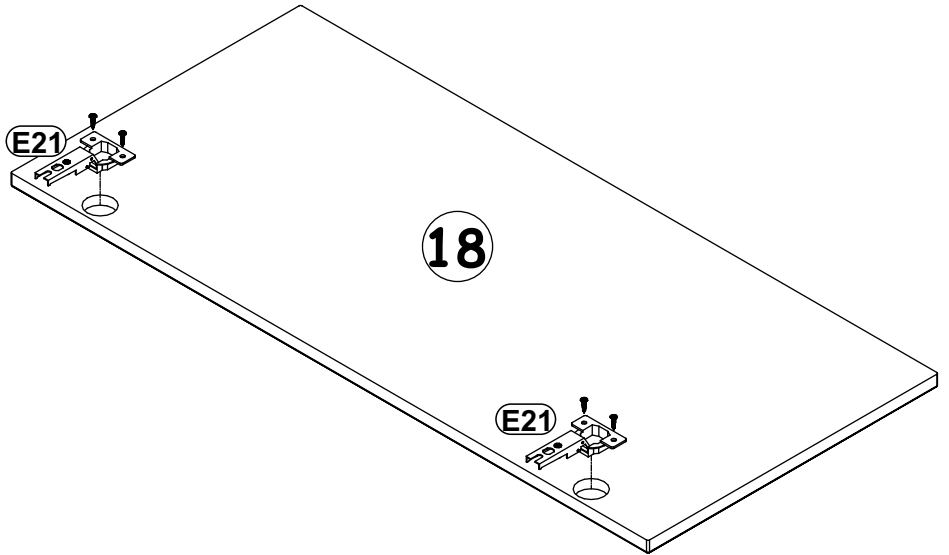
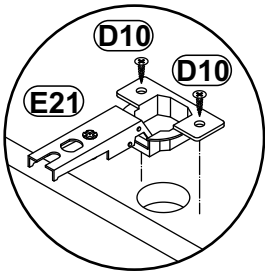
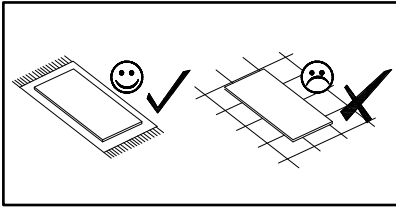
A1	
x4	ø8x36

G7	
x4	

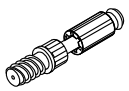


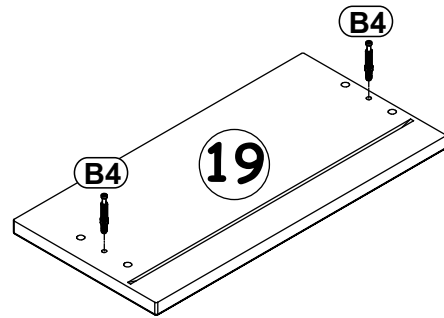
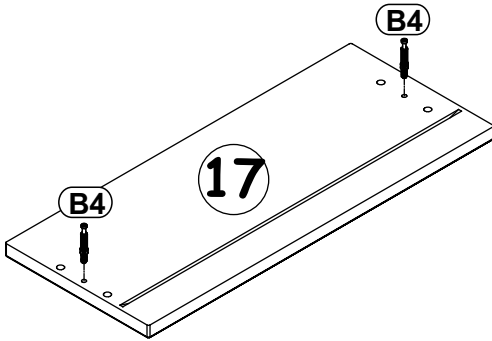
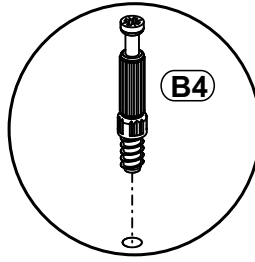
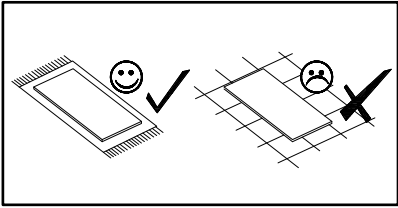
8

E21	Ø35	D10	 USØ3,5x13
x4	H=0	x8	

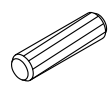



9

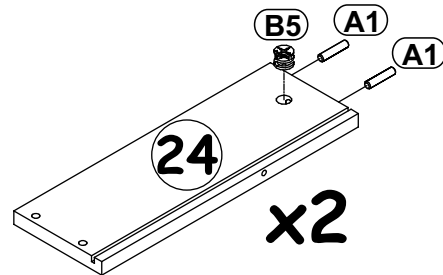
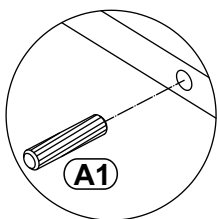
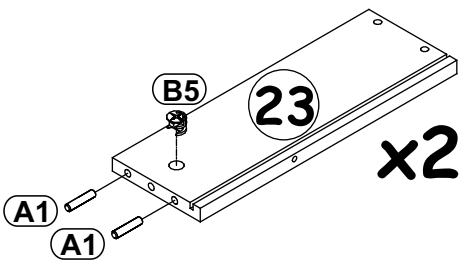
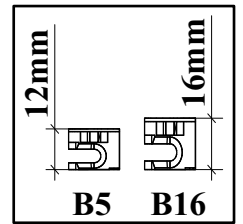
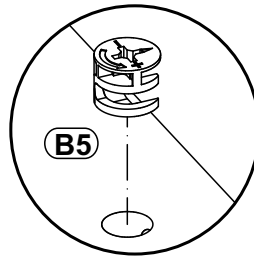
B4	
x4	



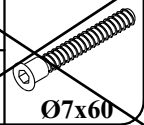


10

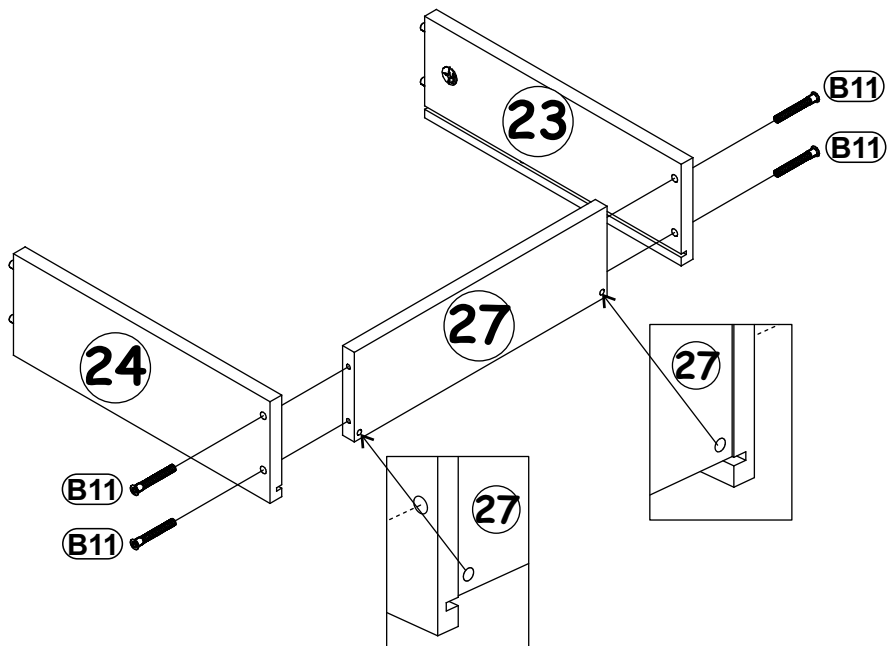
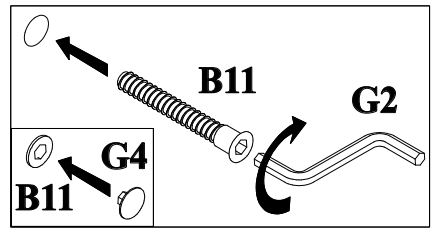
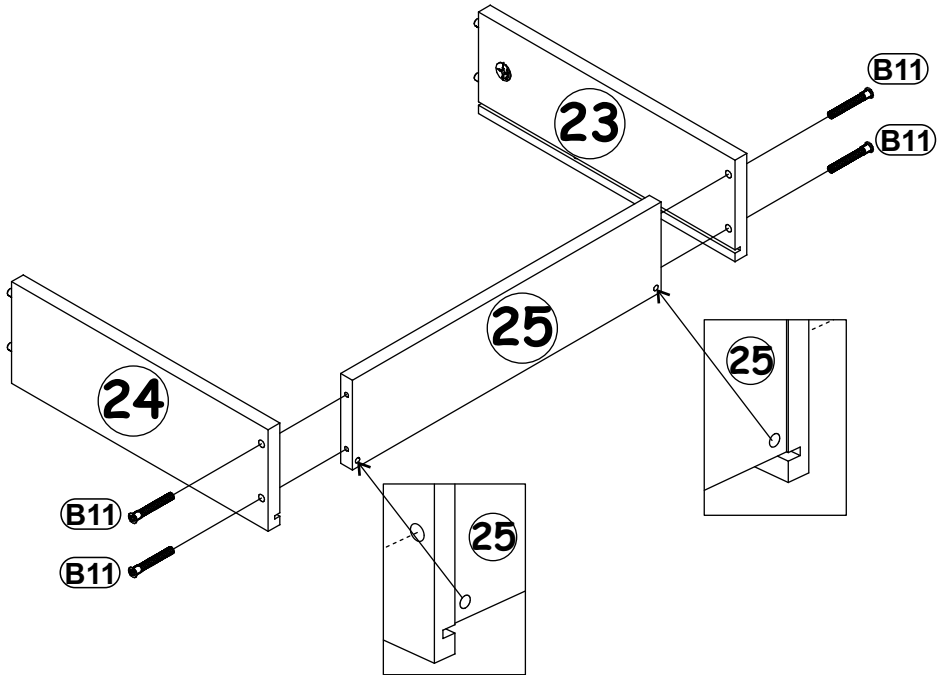
A1	
x8	


B5	
x4	



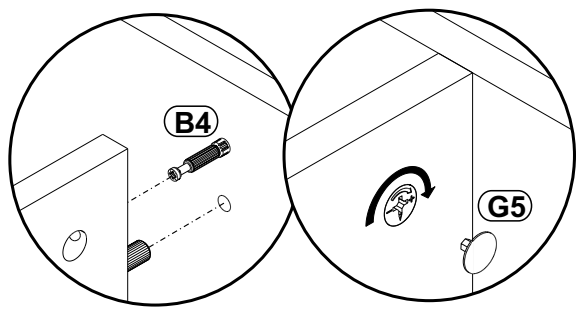
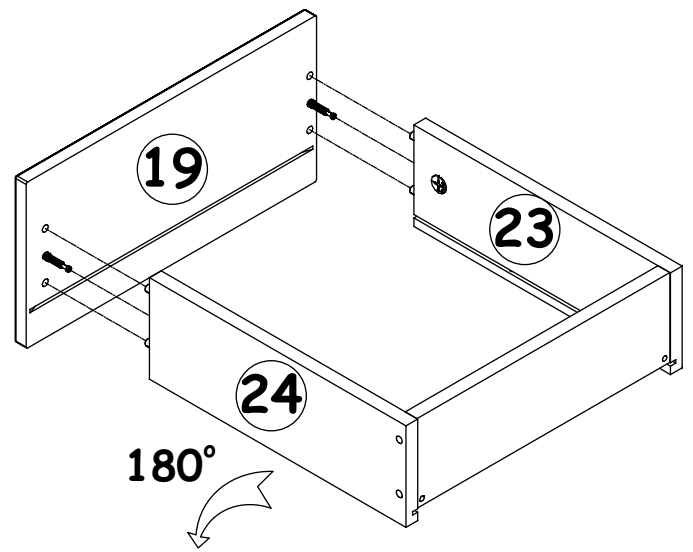
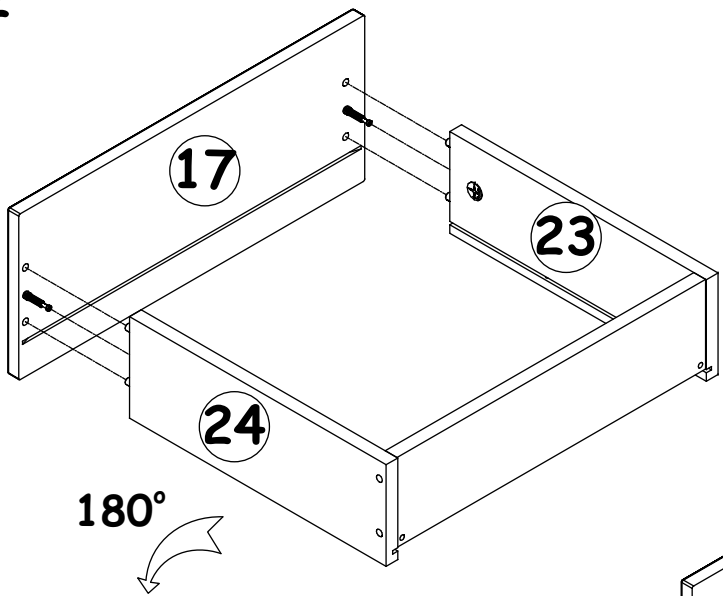
11

<del>B15</del>	<del></del>	B11		G4	
	<del>Ø7x60</del>	x8	Ø7x50	x8	

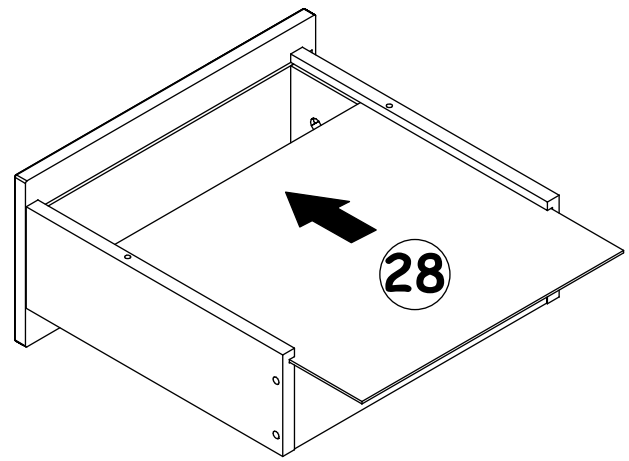
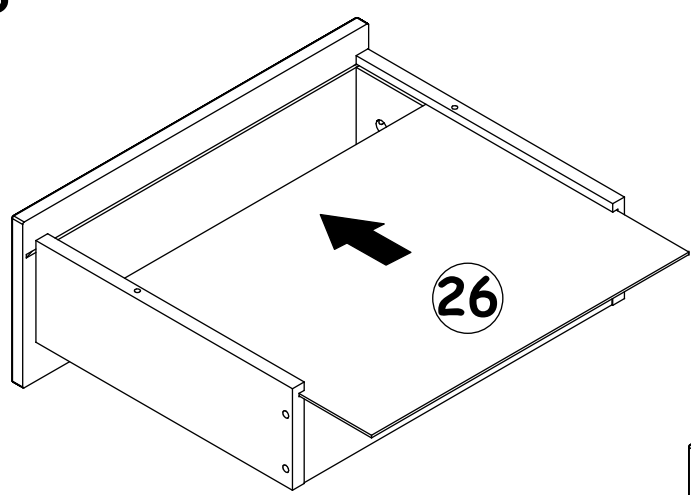


G5	
x4	

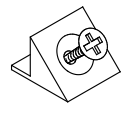

12

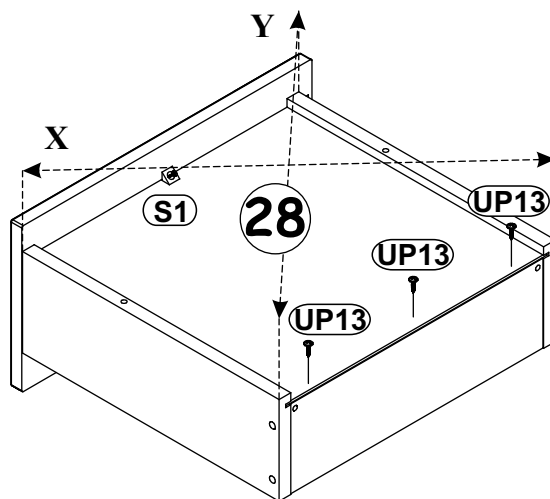
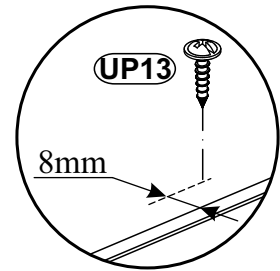
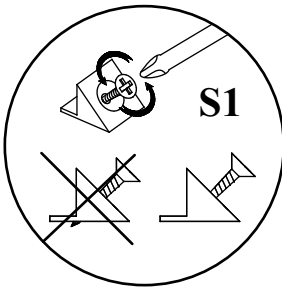
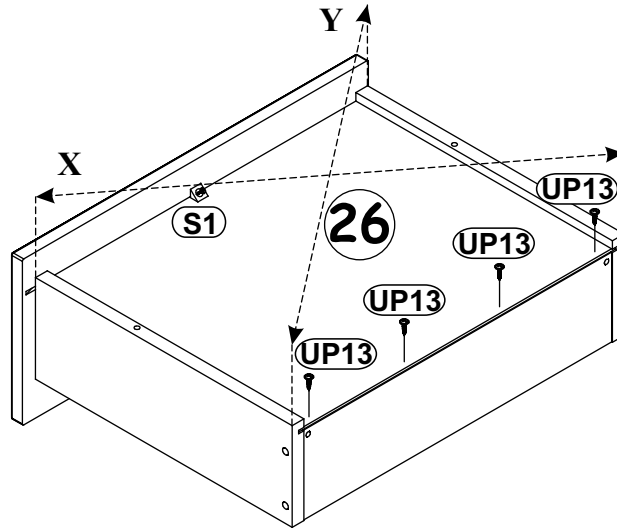
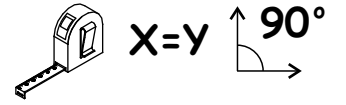


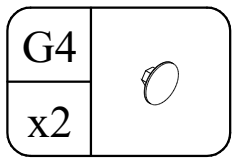
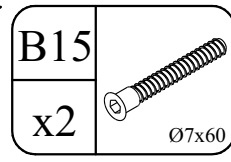
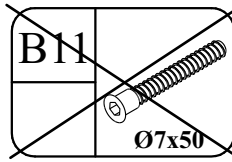
13



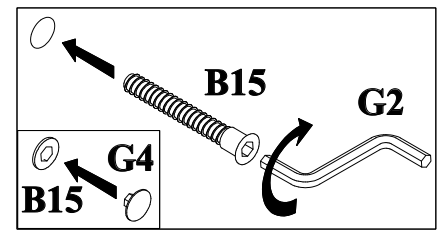
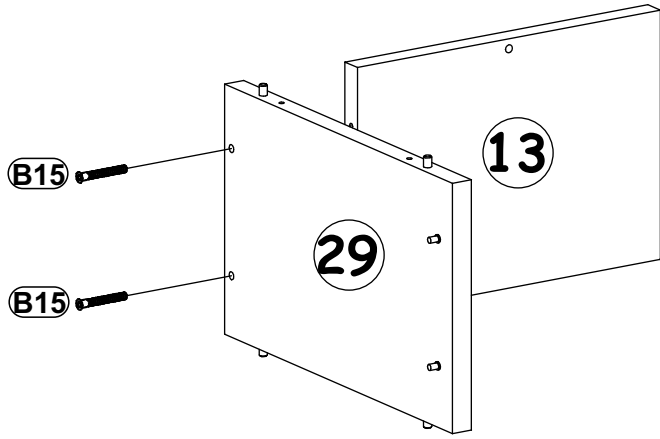
14

S1		UP13	
x2		x7	UPØ3x16

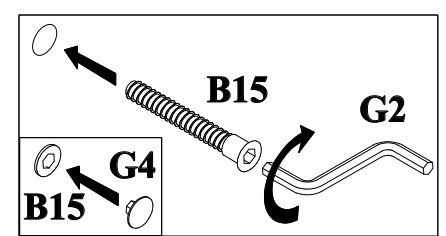
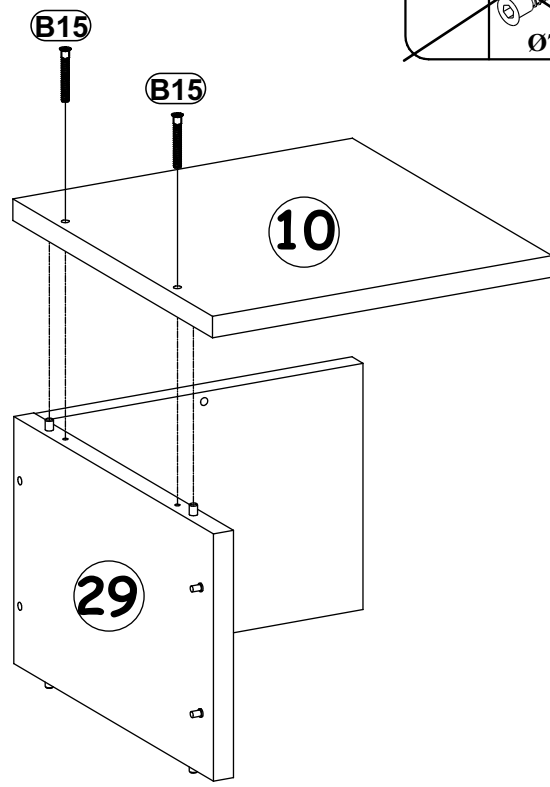
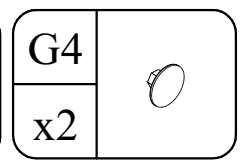
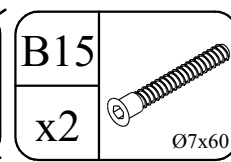
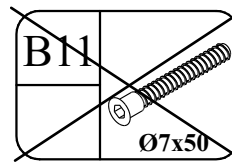




15

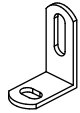
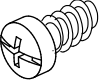


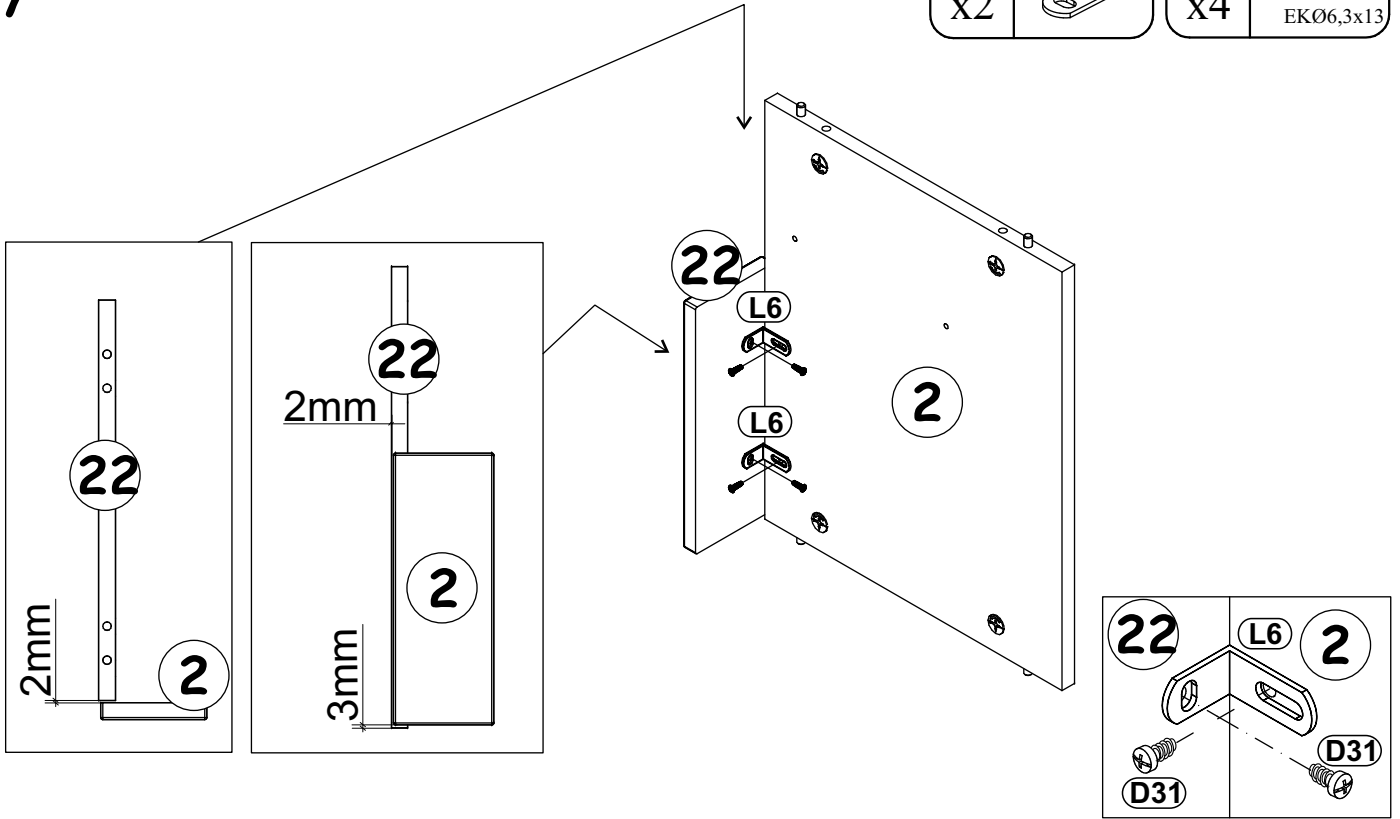
16



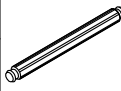



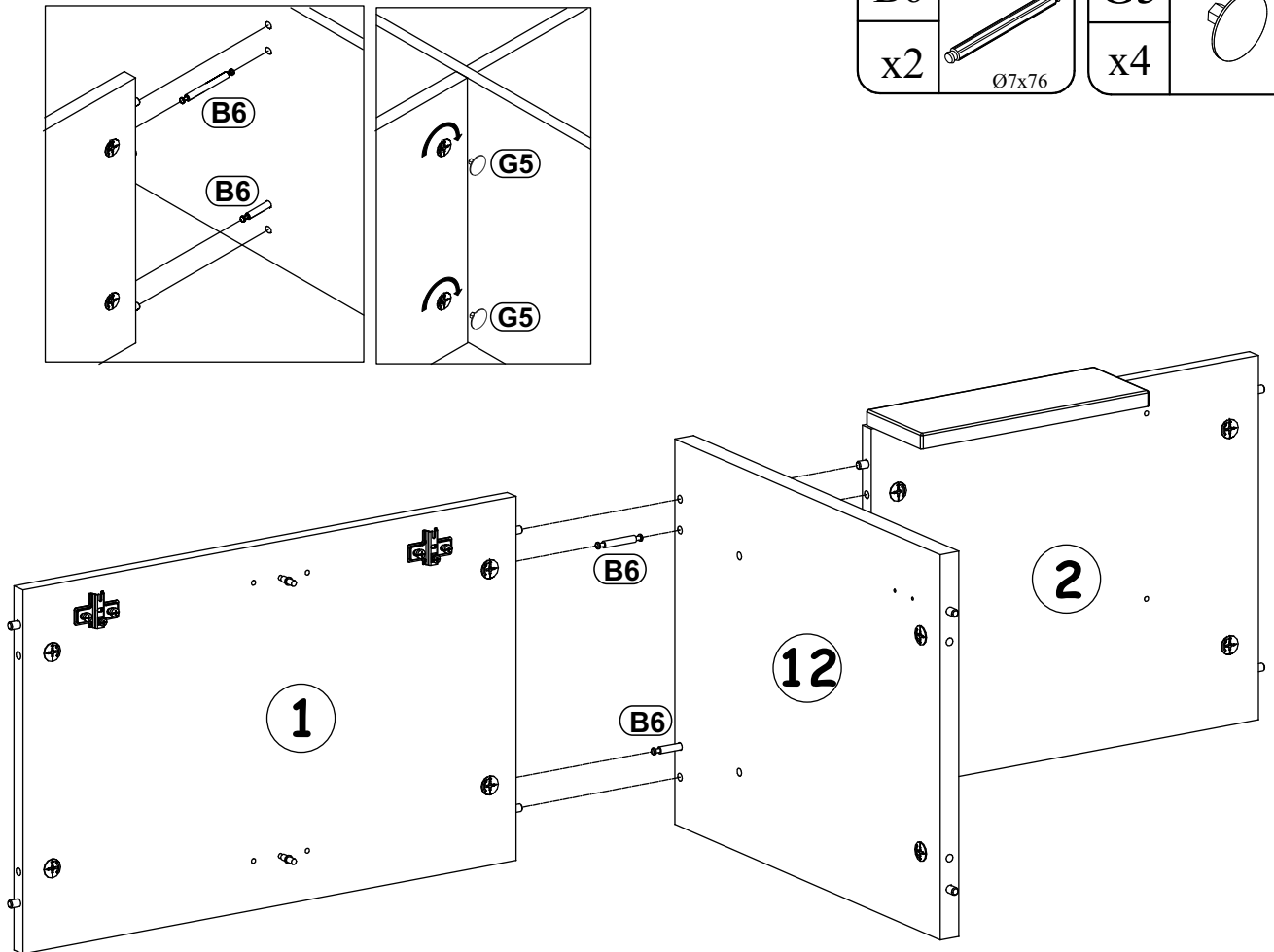
17


L6		D31	
x2		x4	EKØ6,3x13



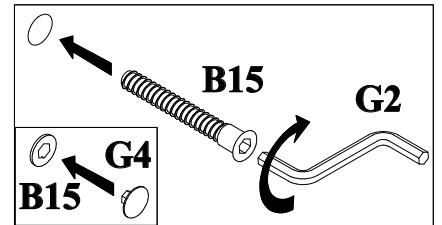
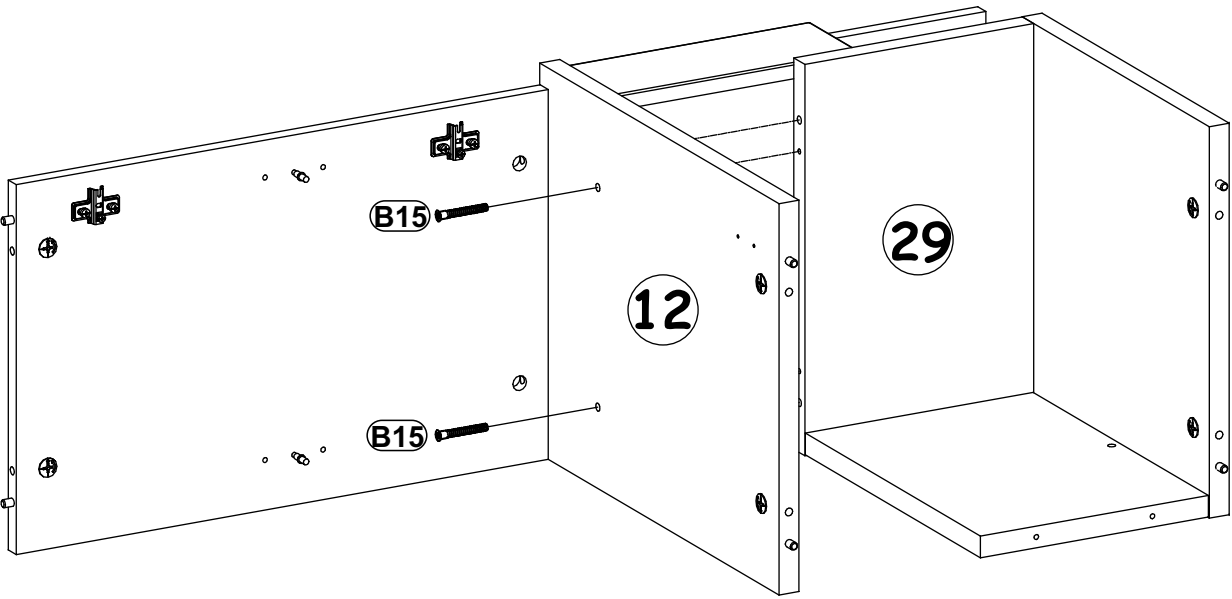
18

B6		G5	
x2	Ø7x76	x4	

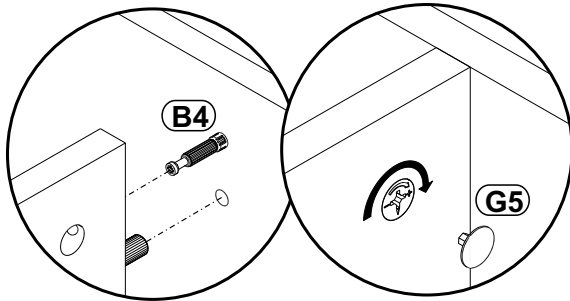



<del>B11</del>	<del>Ø7x50</del>	B15	Ø7x60	G4	
		x2		x2	

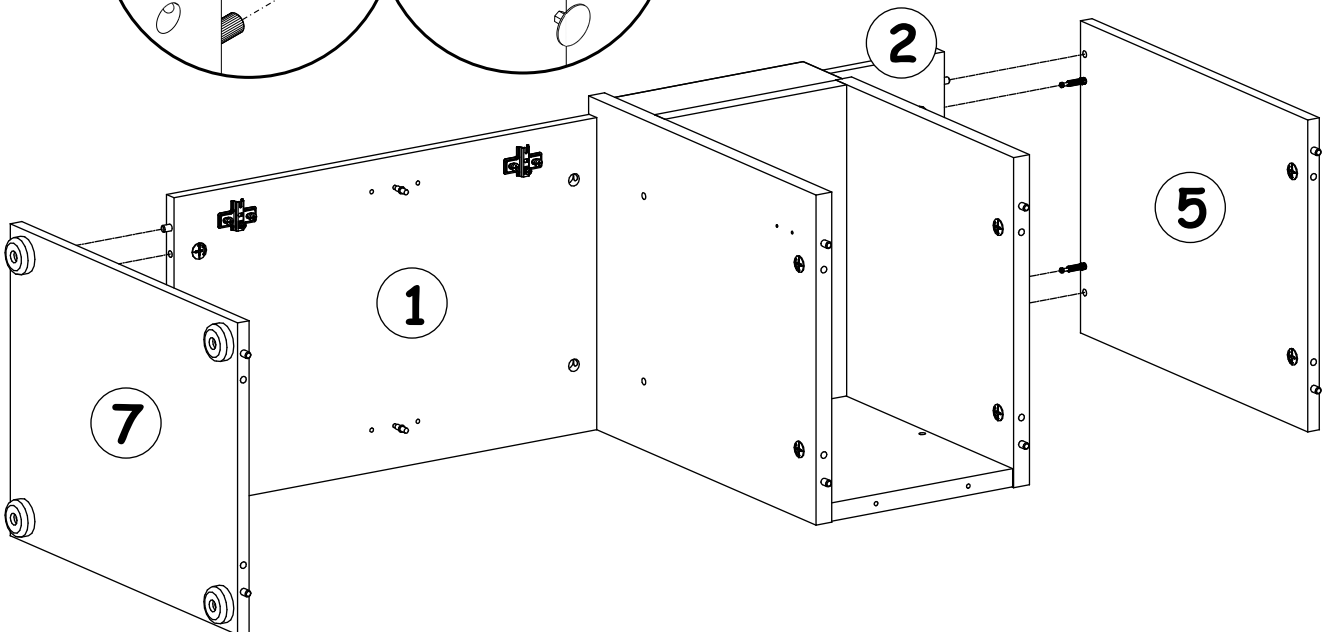
19





20

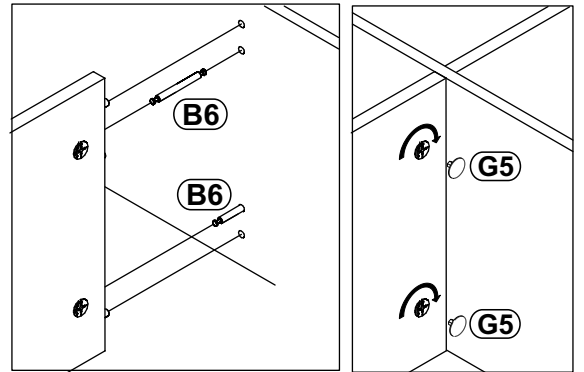
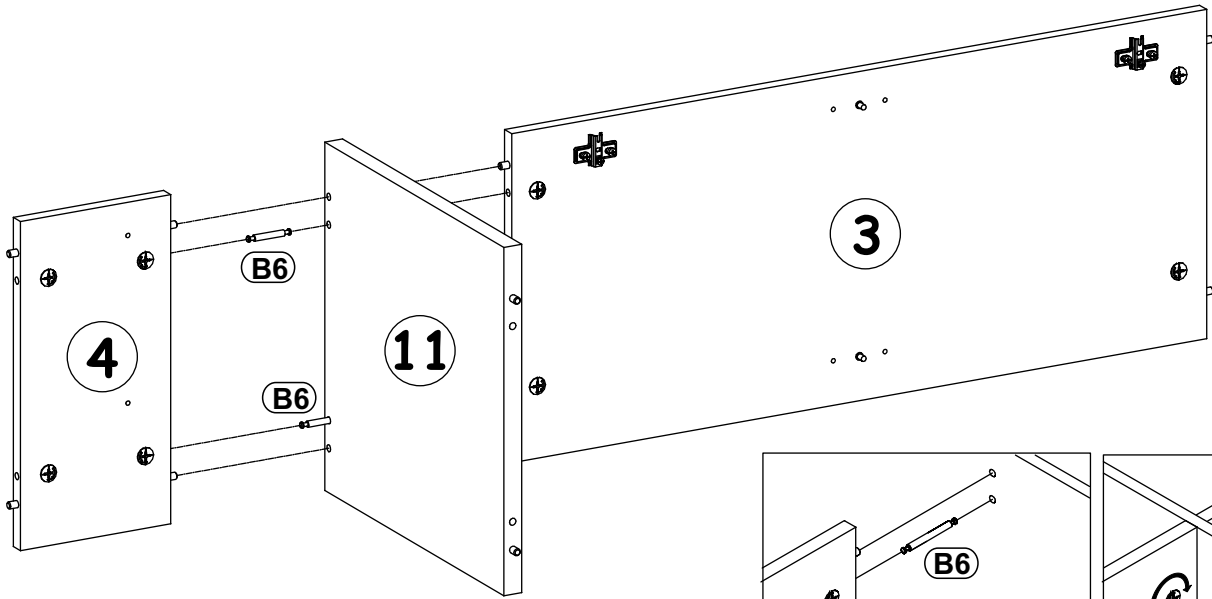


G5	
x4	




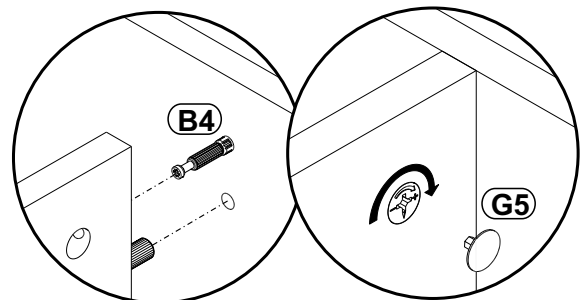
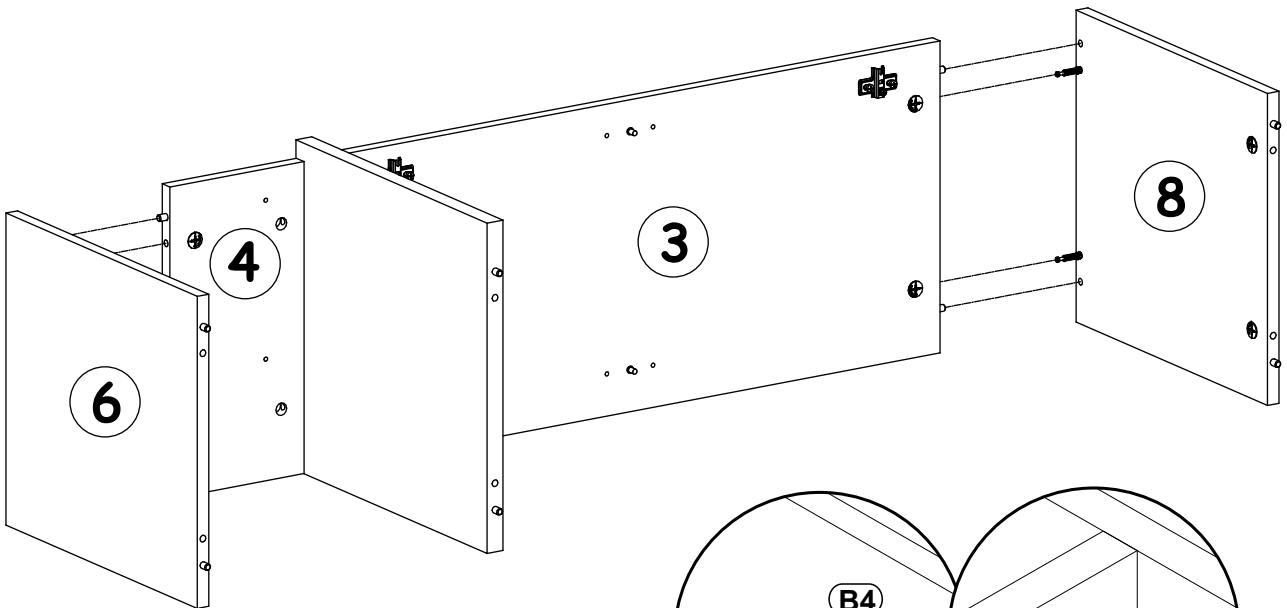
21

B6		G5	
x2		Ø7x76	

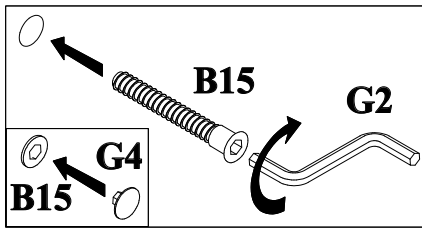
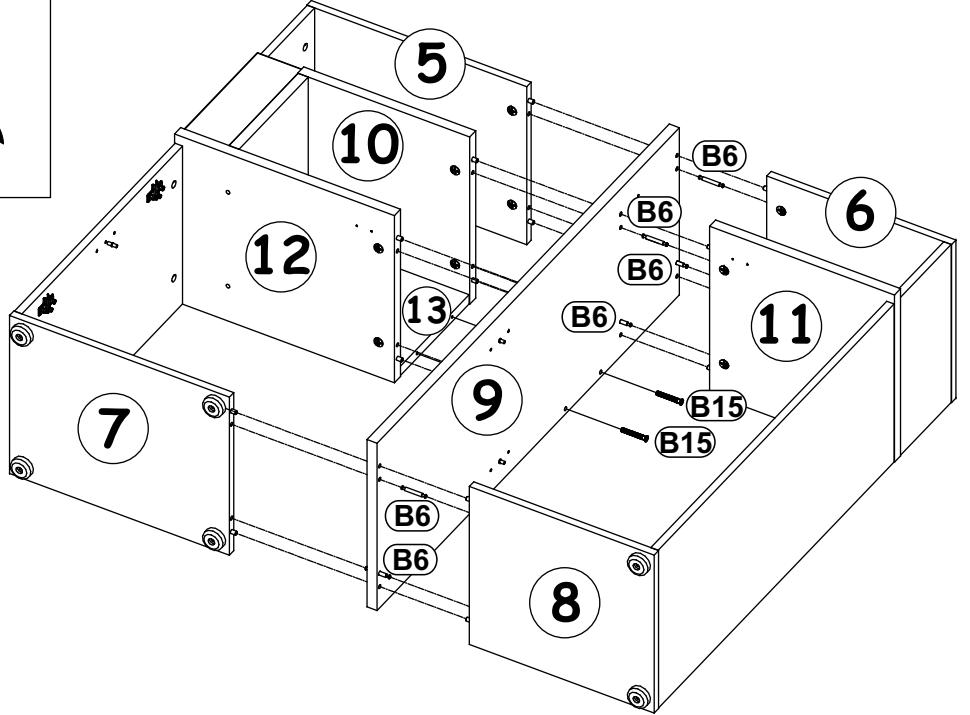
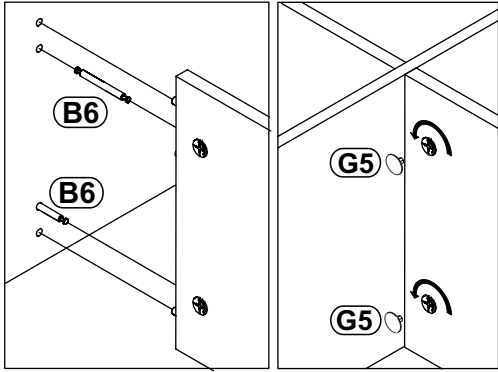
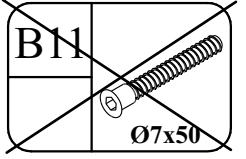
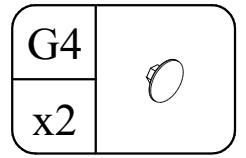
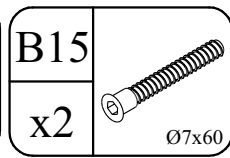
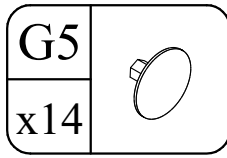
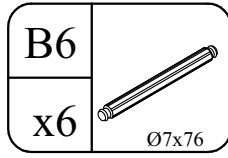


22

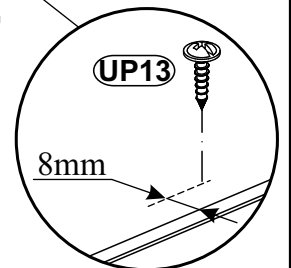
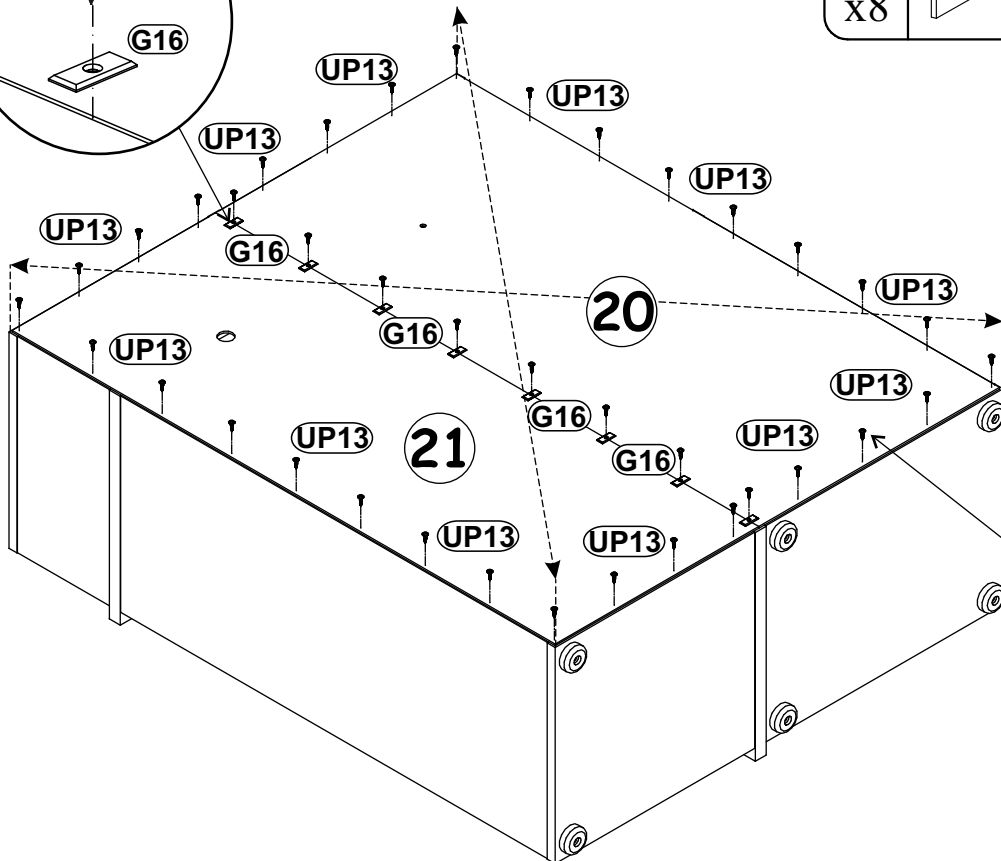
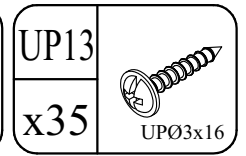
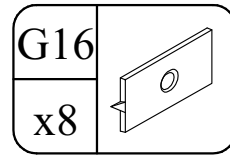
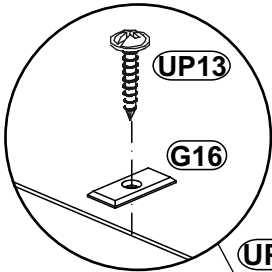
G5	
x4	

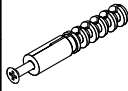


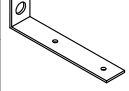
23




24

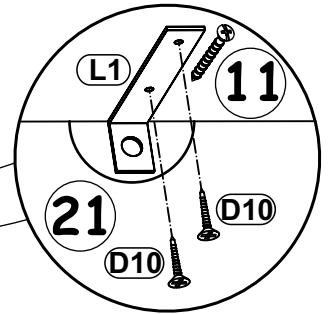
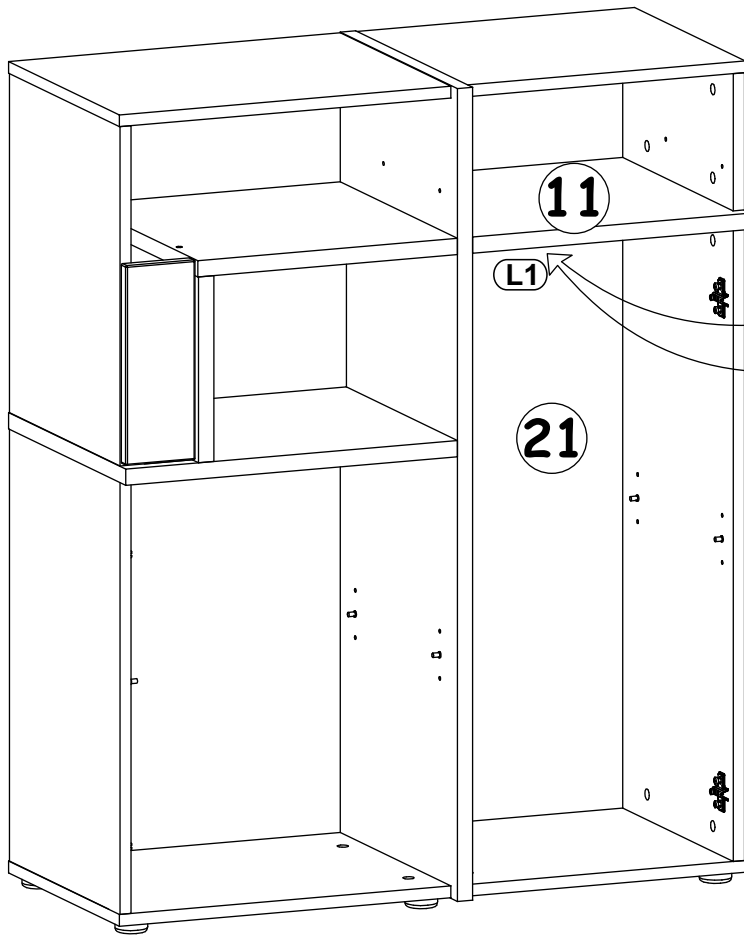
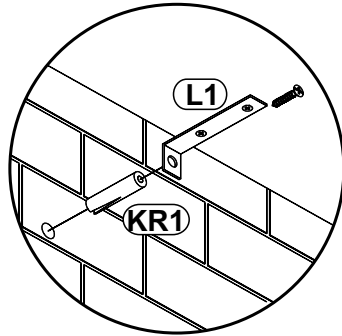
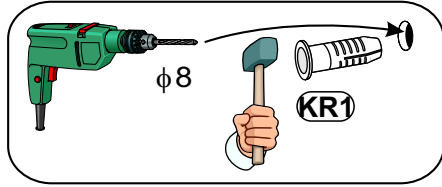
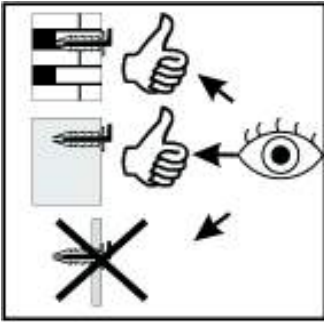


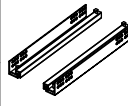
KR1	
x1	

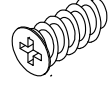
L1	
x1	

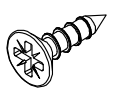
D10	
x2	US03,5x13

25

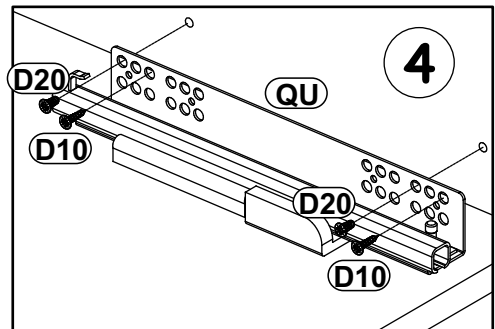
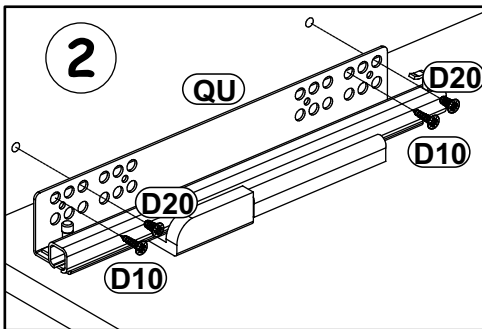
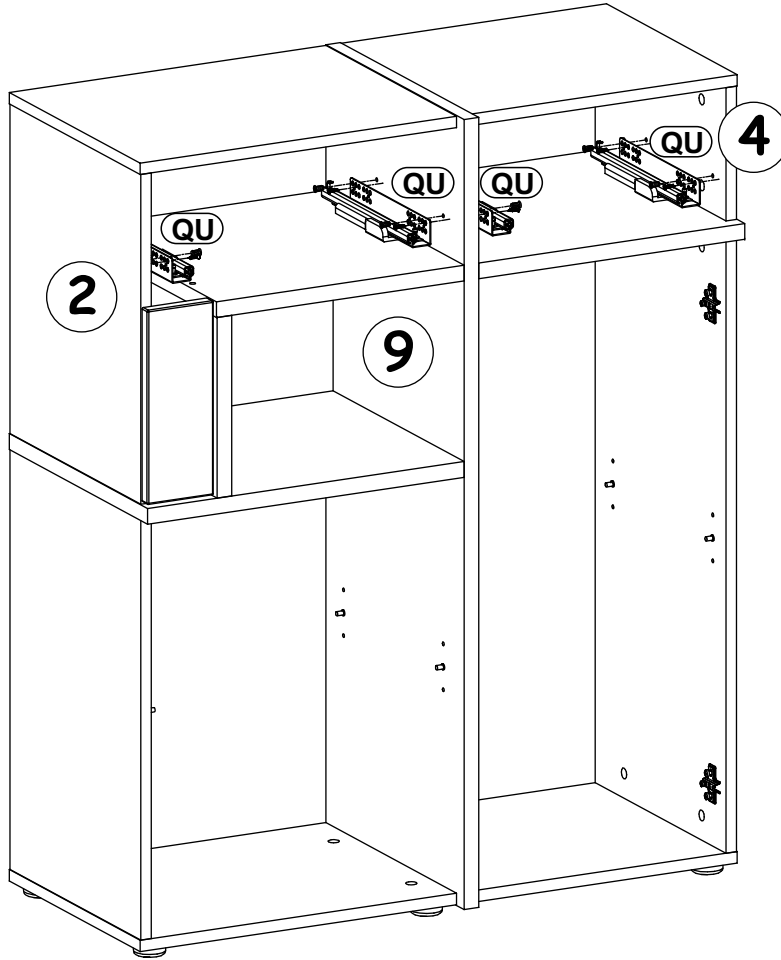


QU	
x2	L-350mm

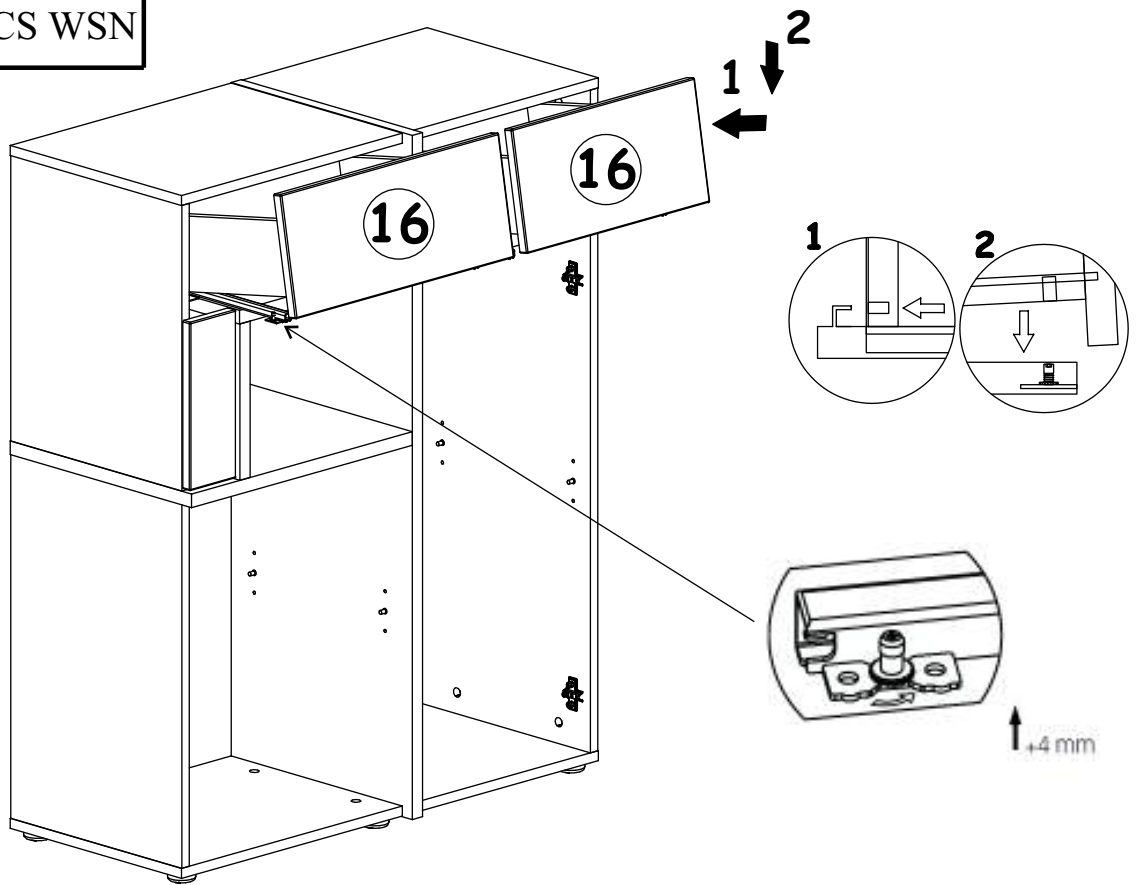
D20	
x8	ESØ6,3x9,5

D10	
x8	USØ3,5x13

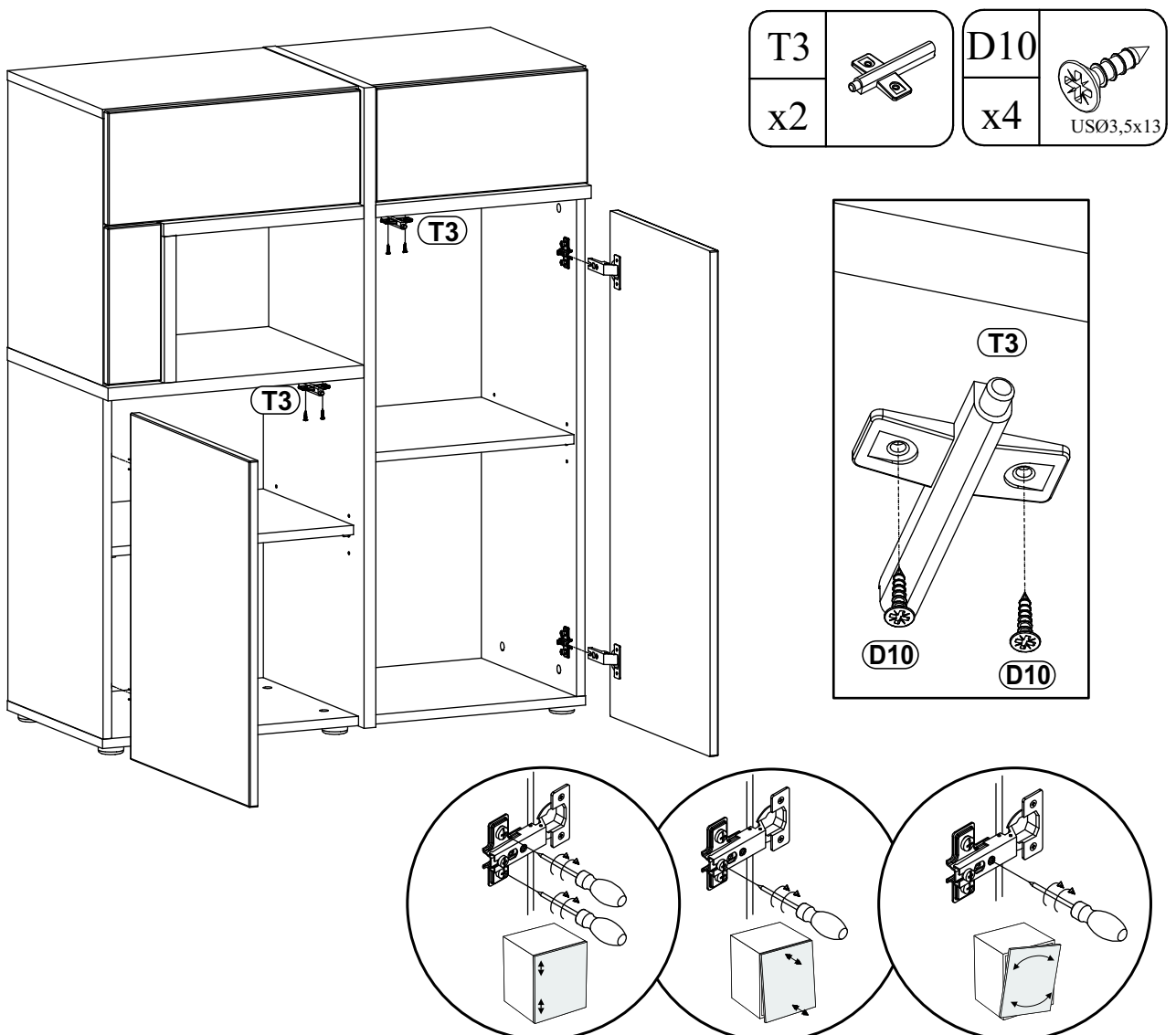
26



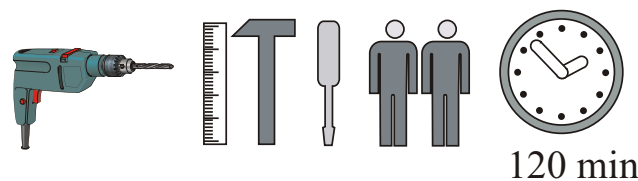
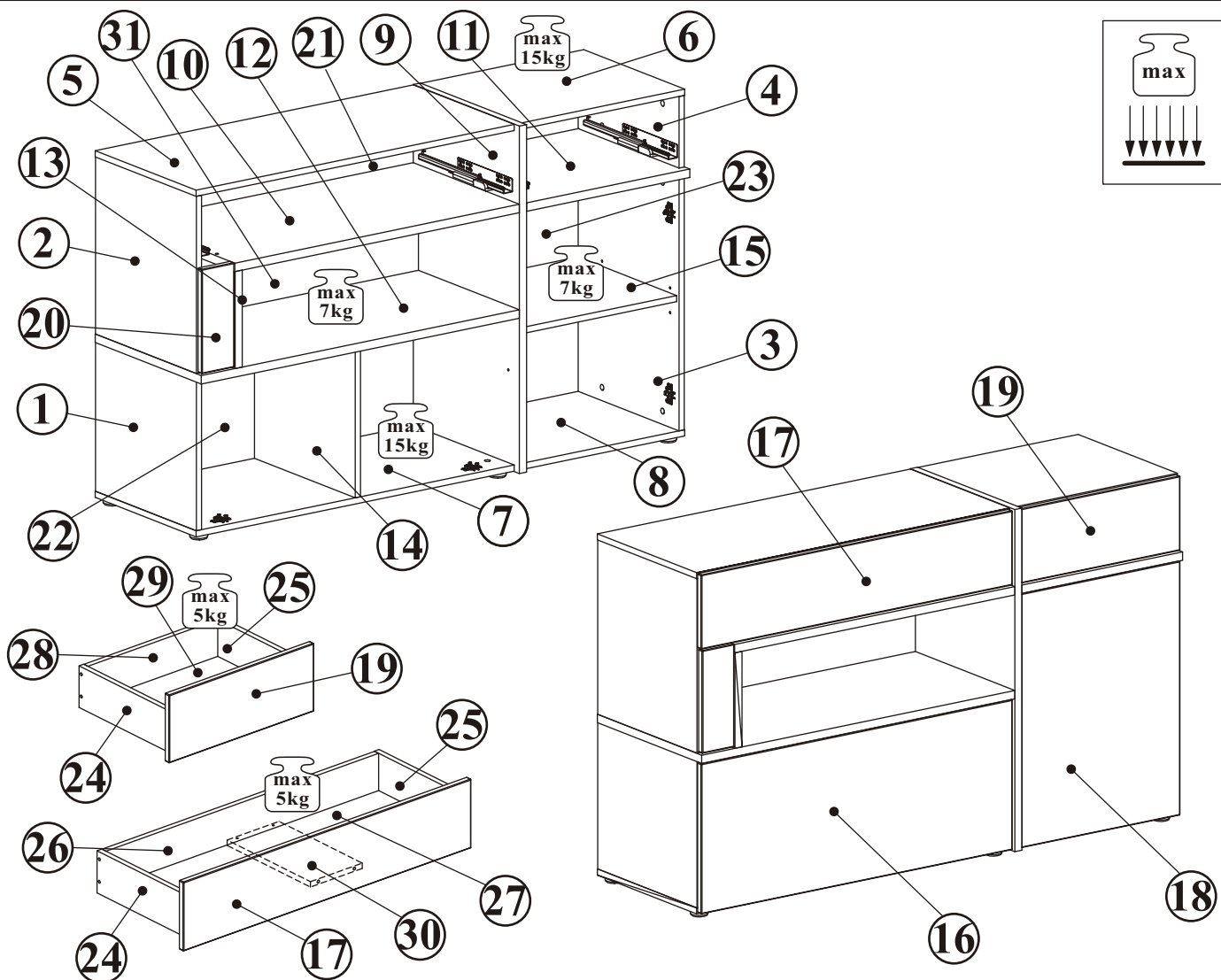
27



28



# CROSS 28PEWCS SB

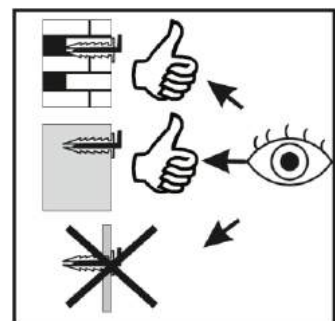
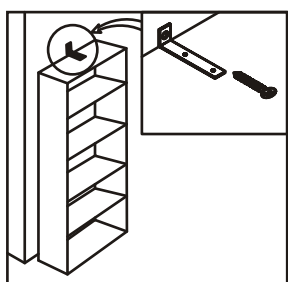
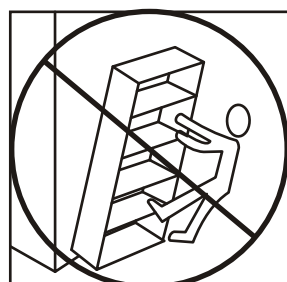
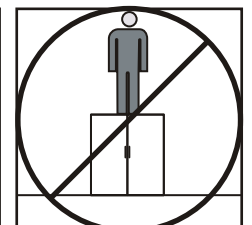
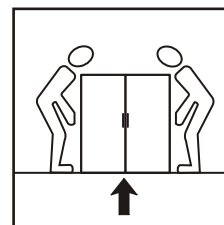
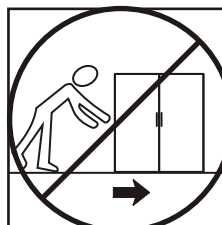
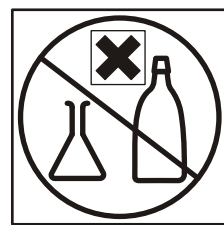
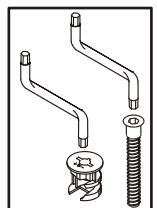
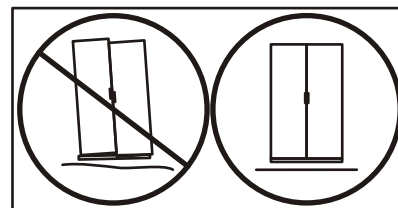
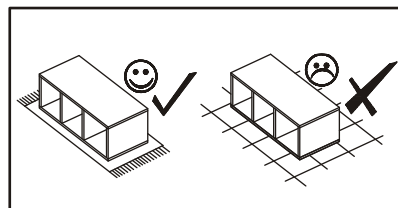
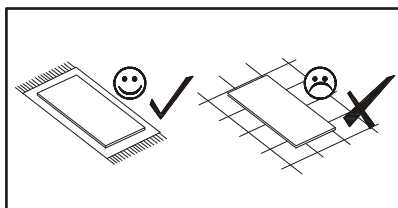
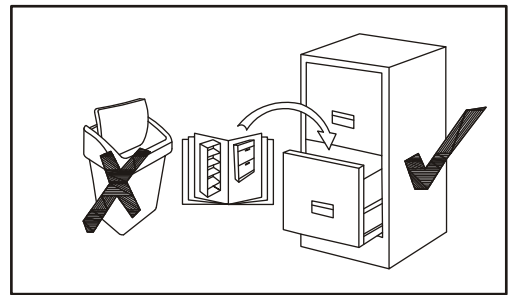
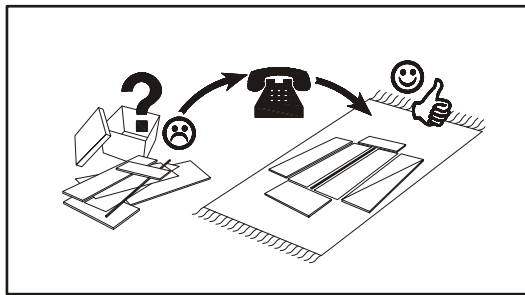
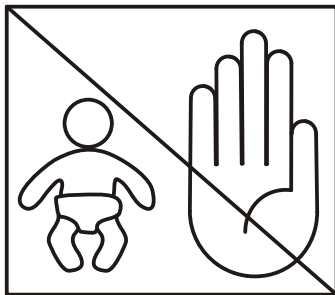


NO	Dim.			Qty	Qty	NO	Dim.			Qty	Qty
1	386	427	16	1	1	9	902	449	22	2	1
2	460	427	16	1	1	10	875	449	22	2	1
3	660	427	16	1	1	11	502	449	22	2	1
4	186	427	16	1	1	12	978	449	22	2	1
5	978	427	16	1	1	13	252	449	22	2	1
6	502	427	16	1	1	31	851	251	22	2	1
7	978	427	16	1	1	16	972	396	16	3	1
8	502	427	16	1	1	17	972	196	16	3	1
14	386	427	16	1	1	18	670	496	16	3	1
15	485	417	16	1	1	19	496	196	16	3	1
24	350	120	16	3	2	20	271	100	16	3	1
25	350	120	16	3	2	21	484	985	3	3	1
26	921	106	16	3	1	22	985	410	3	3	1
28	445	106	16	3	1	23	894	510	3	3	1
30	349	184	16	3	1	27	354	933	3	3	1
						29	354	457	3	3	1



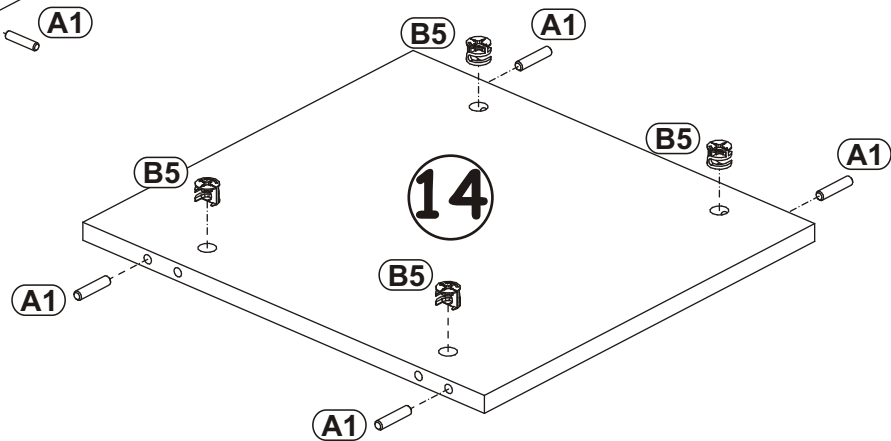
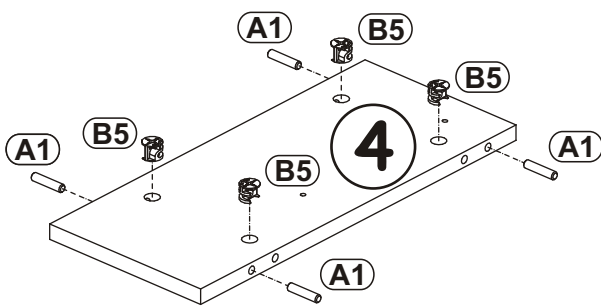
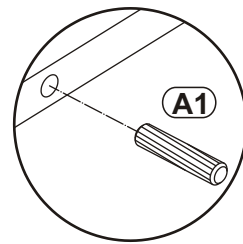
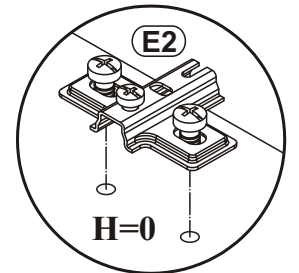
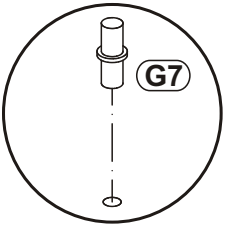
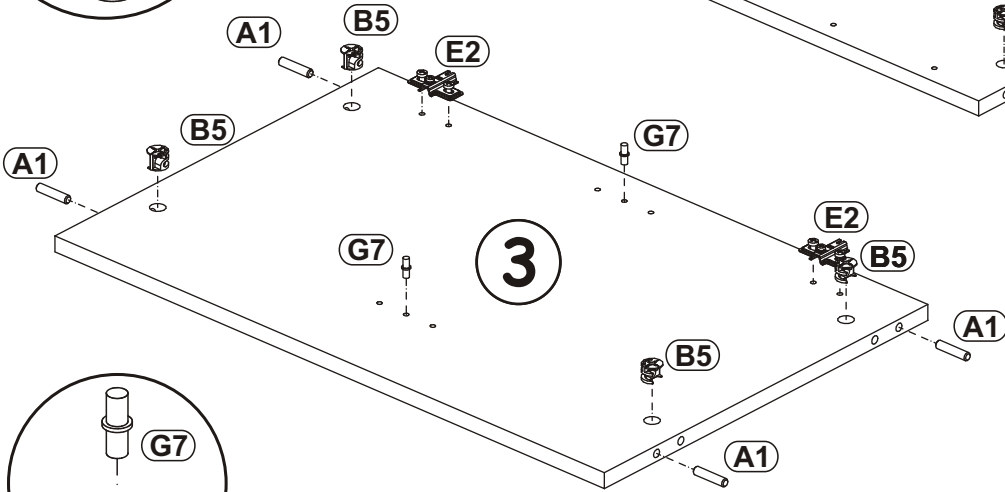
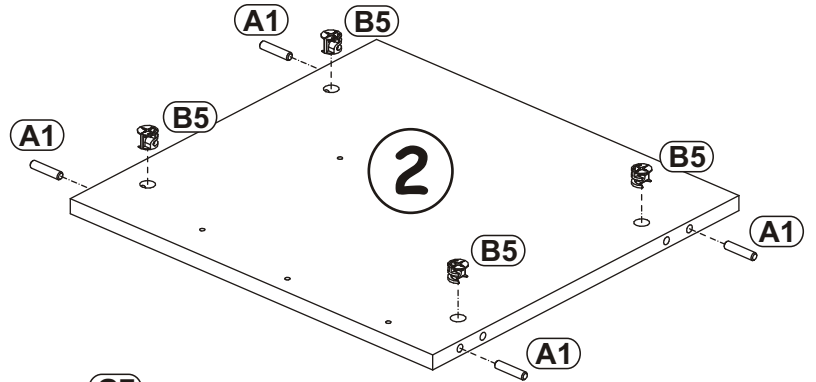
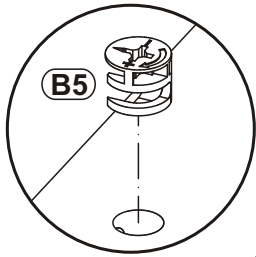
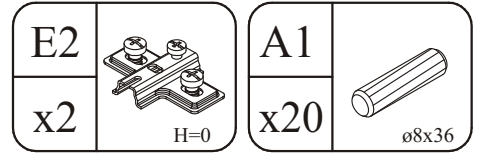
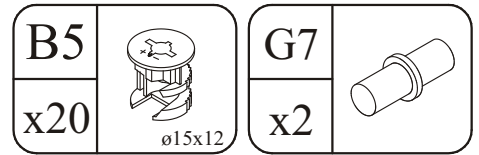
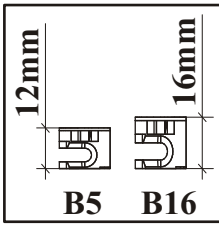
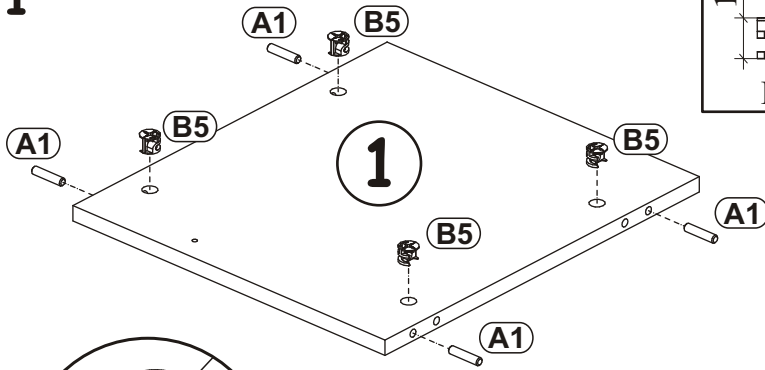
# CROSS 28PEWCS SB

A1 x48 ø8x36	B4 x18	B5 x32 ø15x12	G5 x38	B15 x8 Ø7x60	G4 x16
B16 x6 Ø15x16	B6 x10 Ø7x76	G7 x6	E21 x4 Ø35 H=0	E2 x4 H=0	G16 x13
L1 x2	KR1 x2	T3 x2	L6 x2	D31 x4 EKØ6,3x13	UP13 x60 UPØ3x16
D10 x24 USØ3,5x13	UP15 x6 UPØ4x25	I11 x6 Ø45, h=15	G2 x1	B11 x8 Ø7x50	S1 x3
QU x2 L-350	D20 x8 ESØ6,3x9,5	UP6 x2 UPØ4x30	BP1 x2	0 mm 10 20 30 40 50 60	



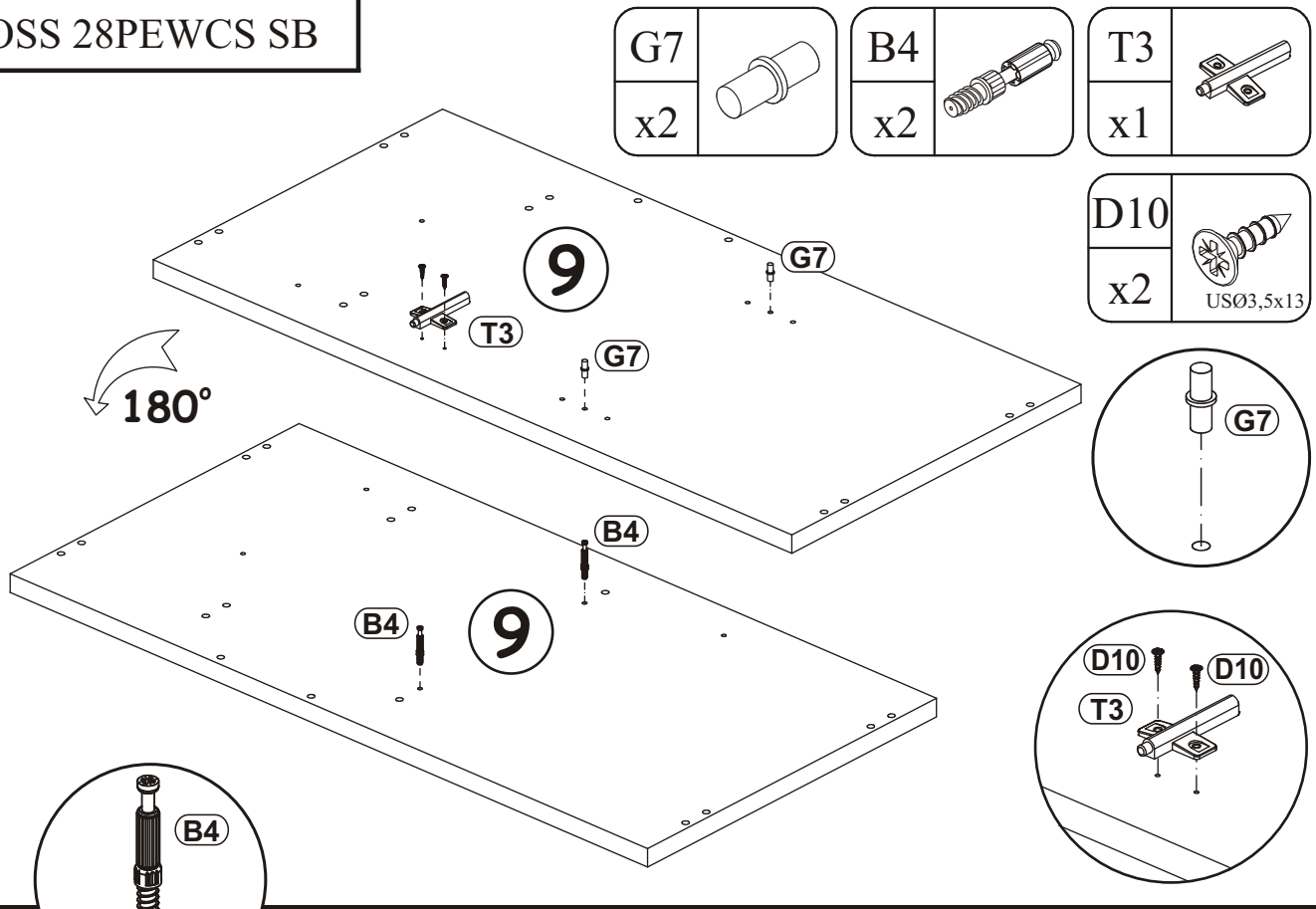
# CROSS 28PEWCS SB

1

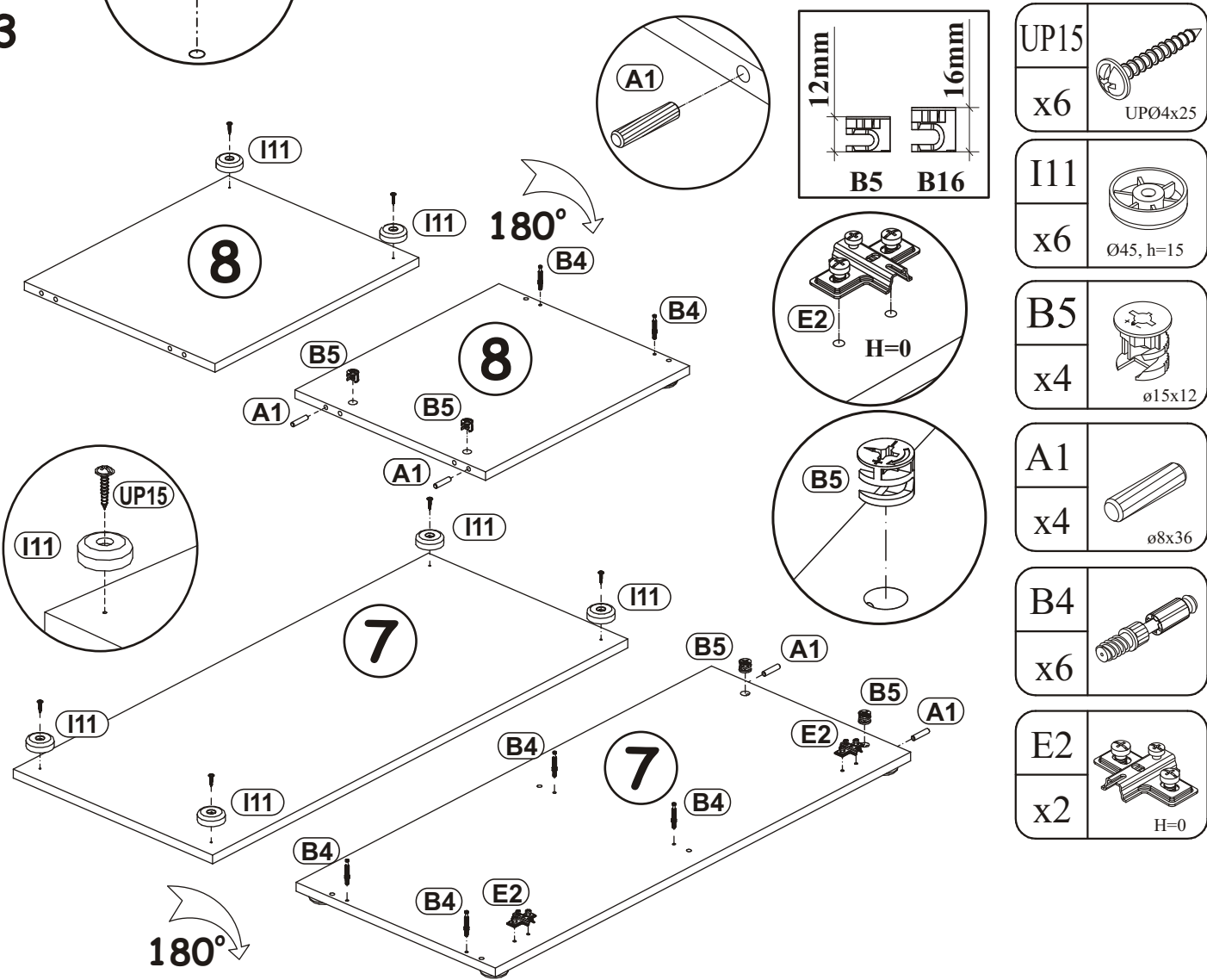


# CROSS 28PEWCS SB

2

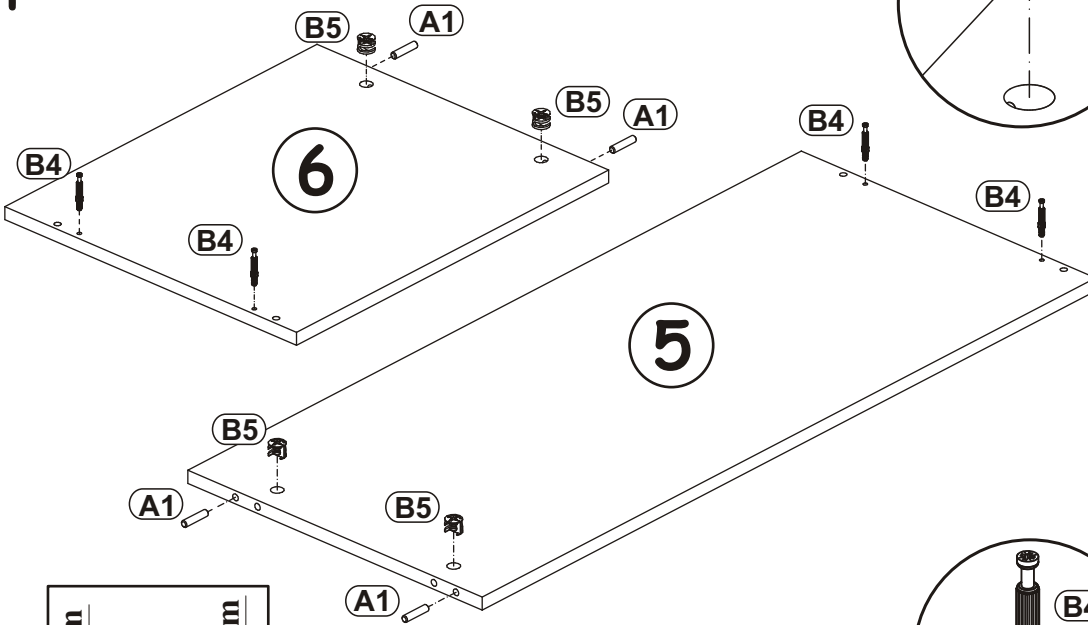



3

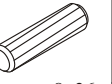


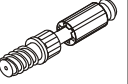
# CROSS 28PEWCS SB

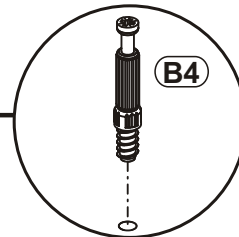
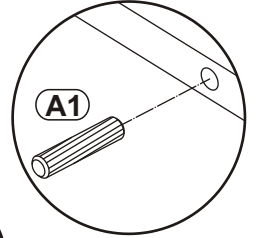
4



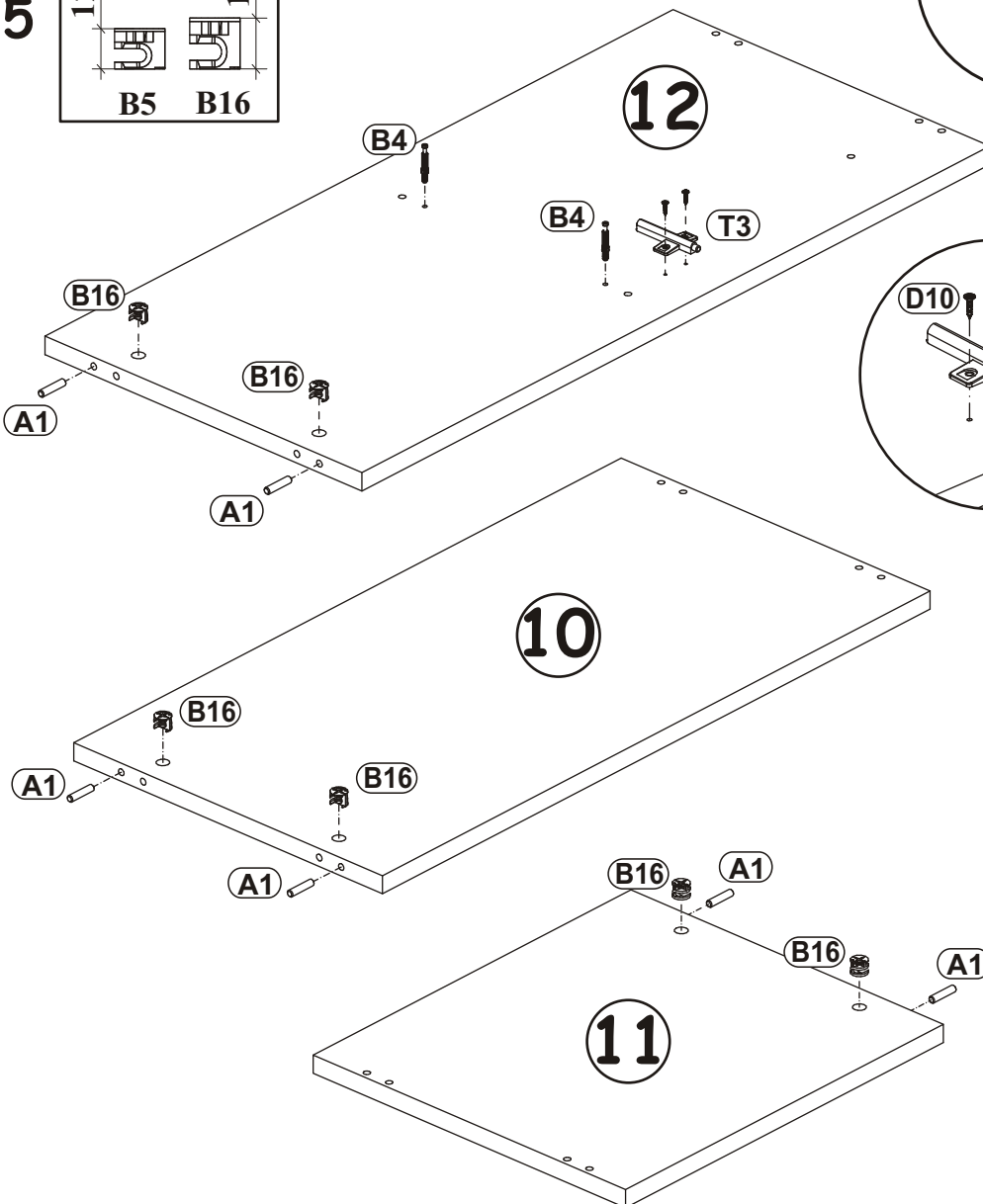
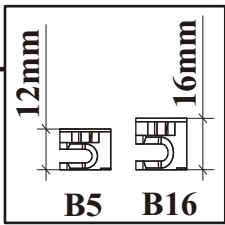
B5	
x4	ø15x12

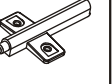
A1	
x4	ø8x36

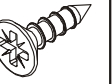
B4	
x4	

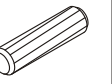


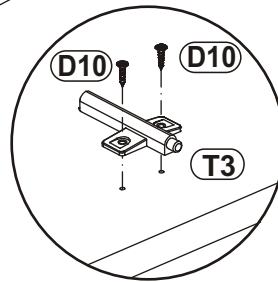
5

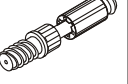



T3	
x1	

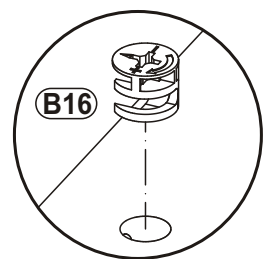
D10	
x2	USØ3,5x13

A1	
x6	ø8x36



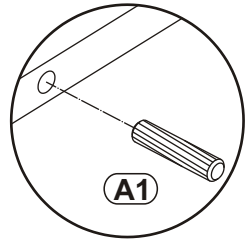
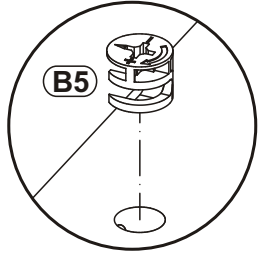
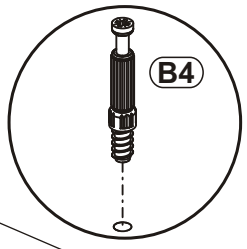
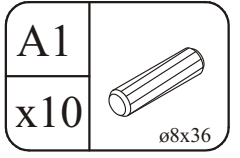
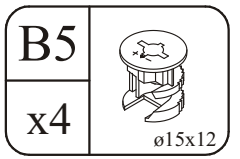
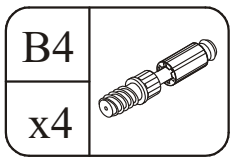
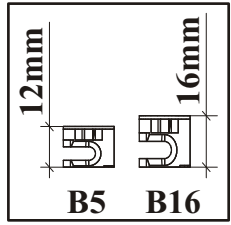
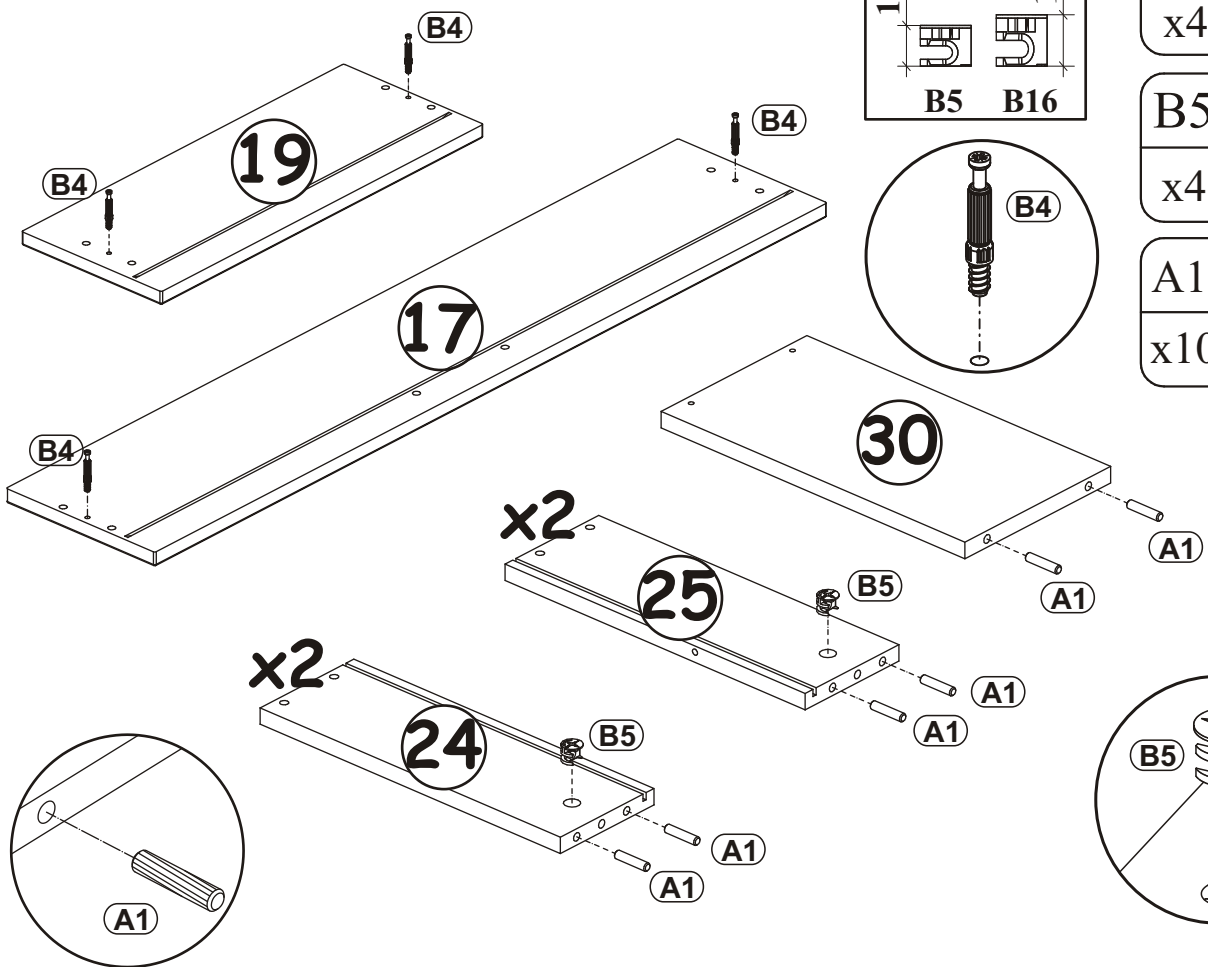
B4	
x2	

B16	
x6	Ø15x16

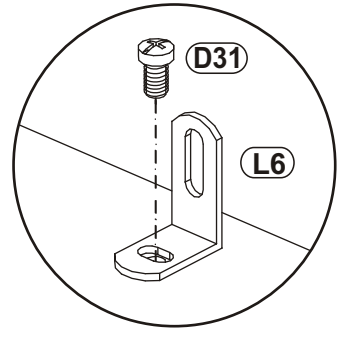
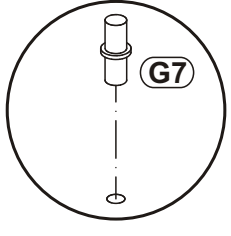
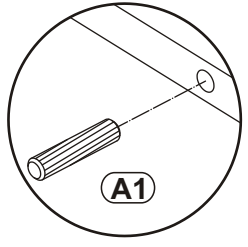
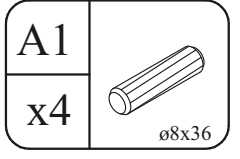
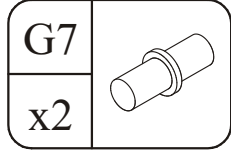
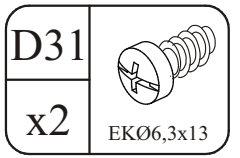
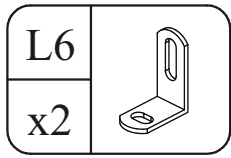
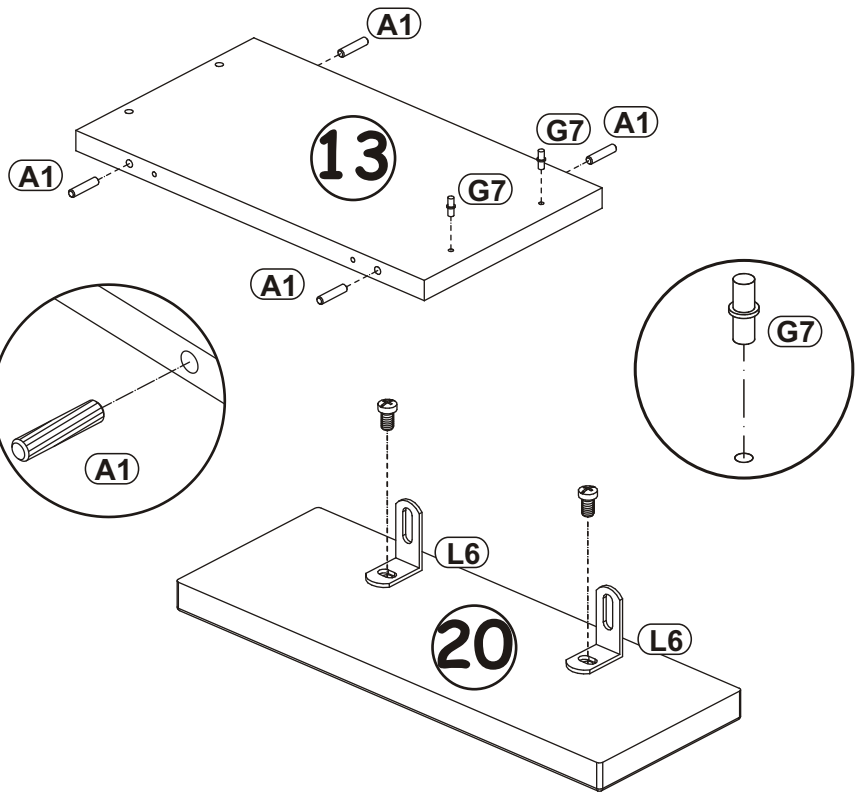


CROSS 28PEWCS SB

6

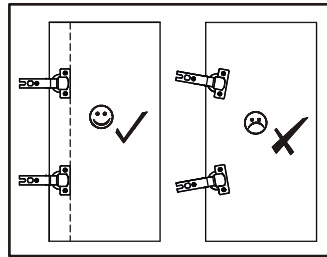
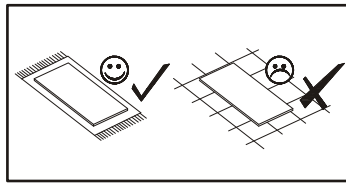


7

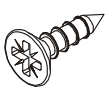


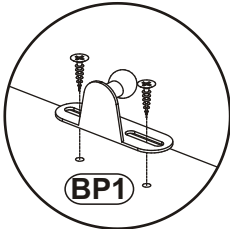
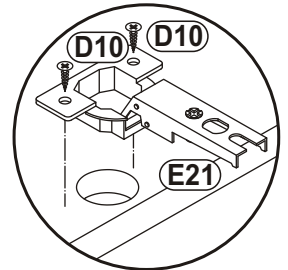
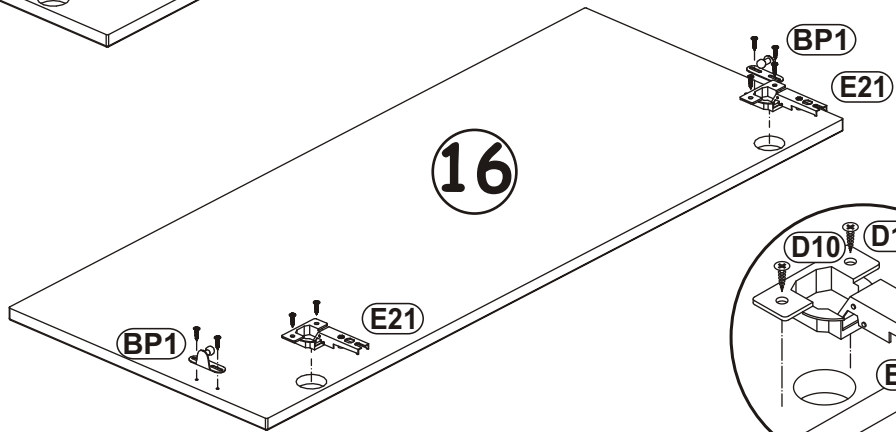
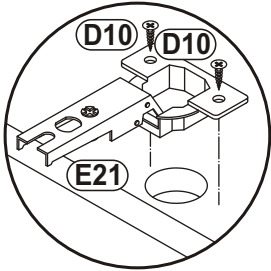
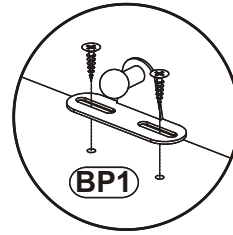
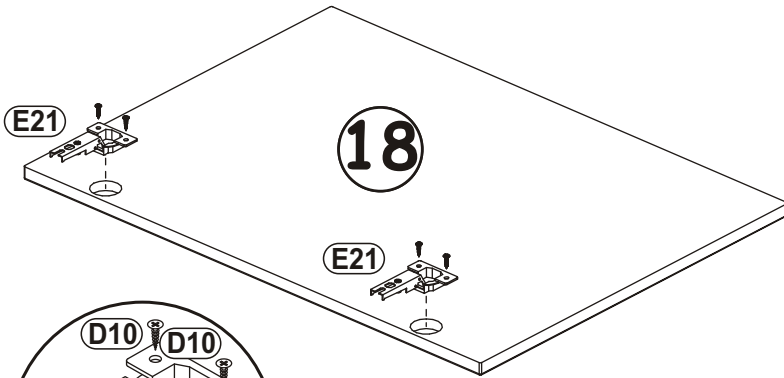
# CROSS 28PEWCS SB

7

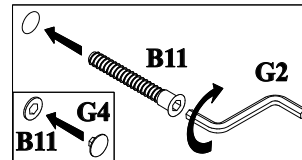
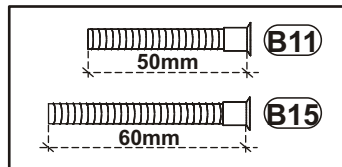



E21	Ø35
x4	H=0


D10	
x8	USØ3,5x13

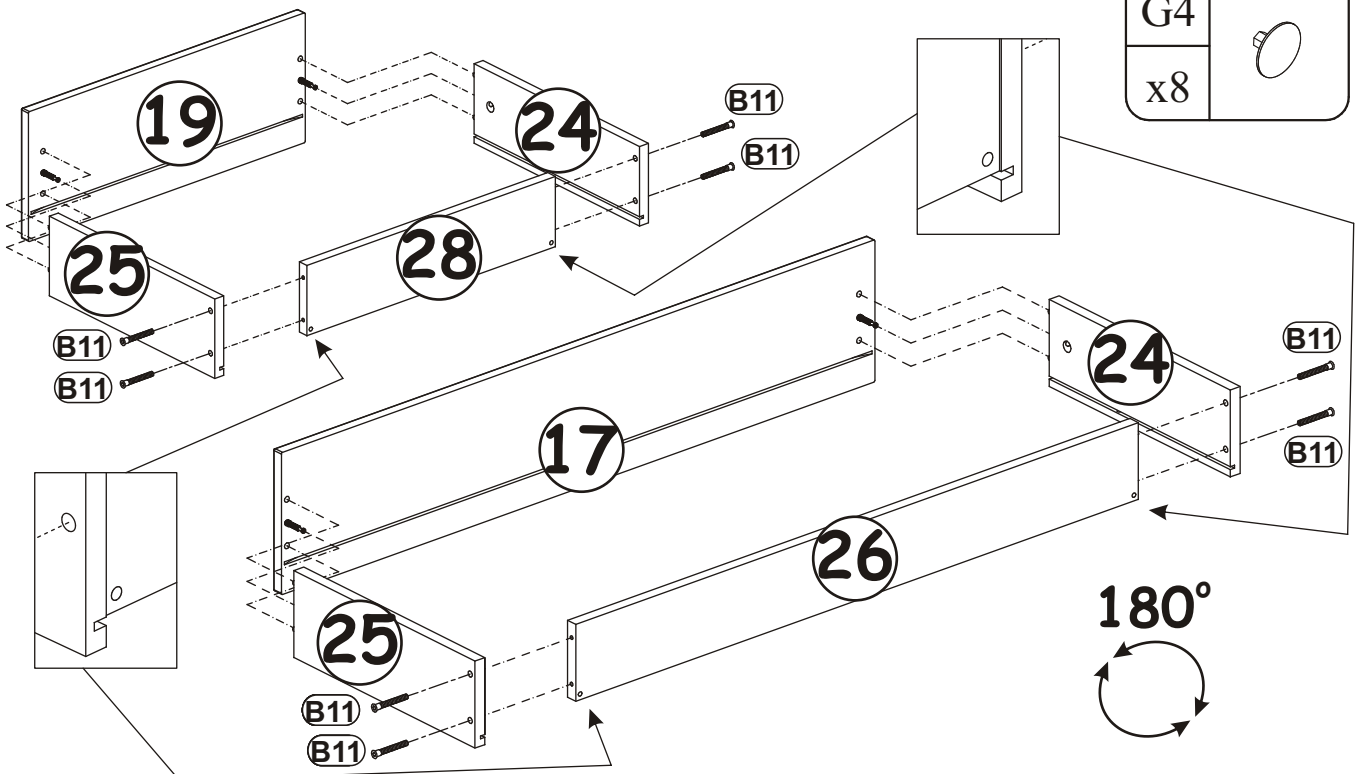


8



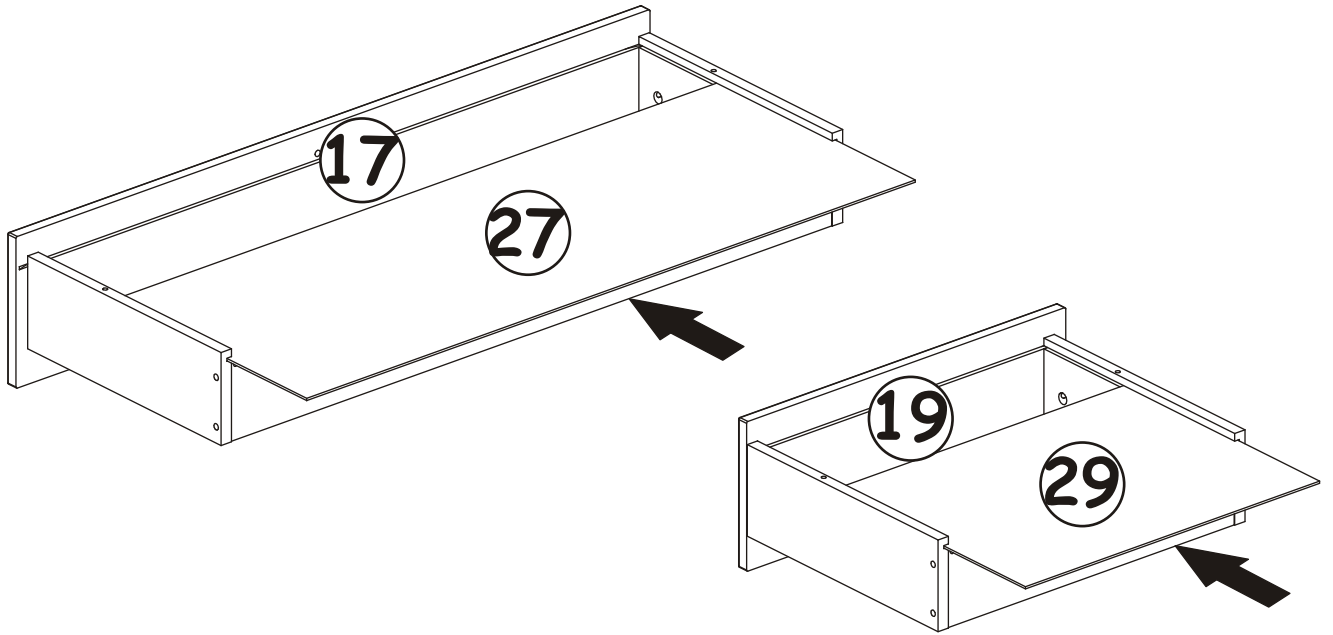
B11	
x8	Ø7x50

G4	
x8	

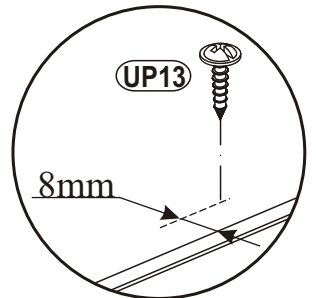
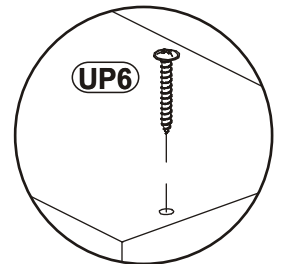
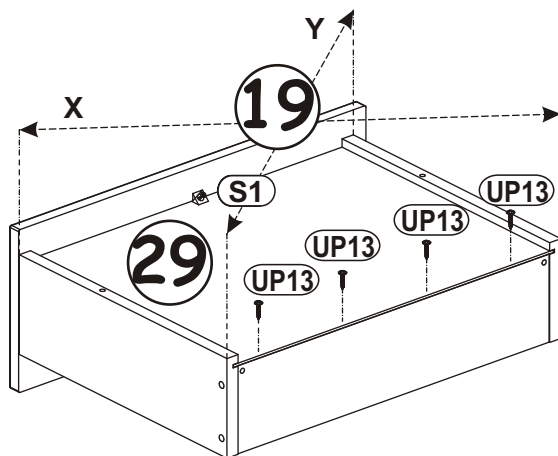
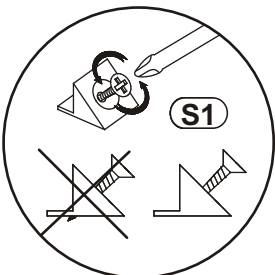
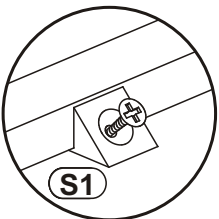
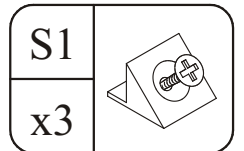
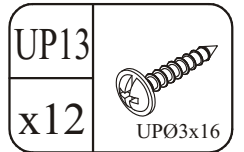
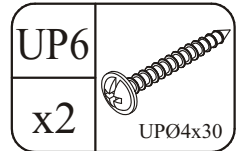
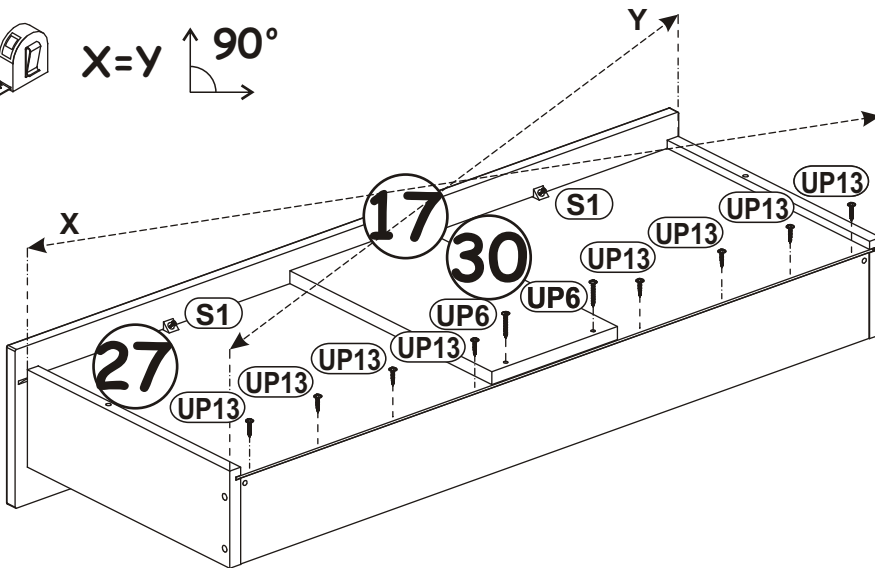


CROSS 28PEWCS SB

9

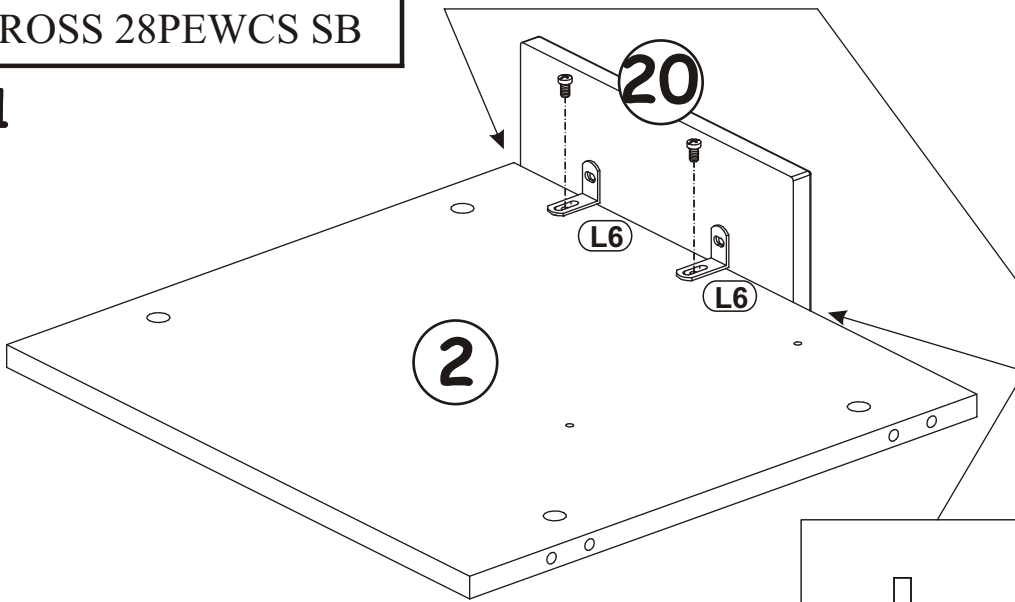


10

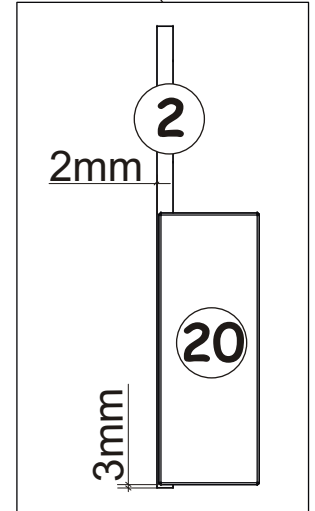
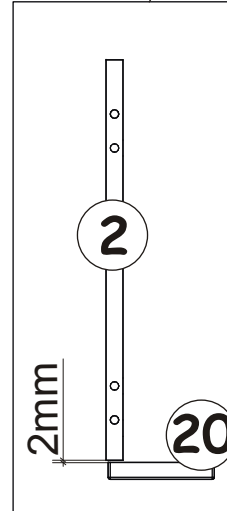
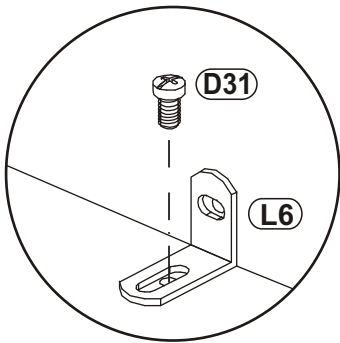


CROSS 28PEWCS SB

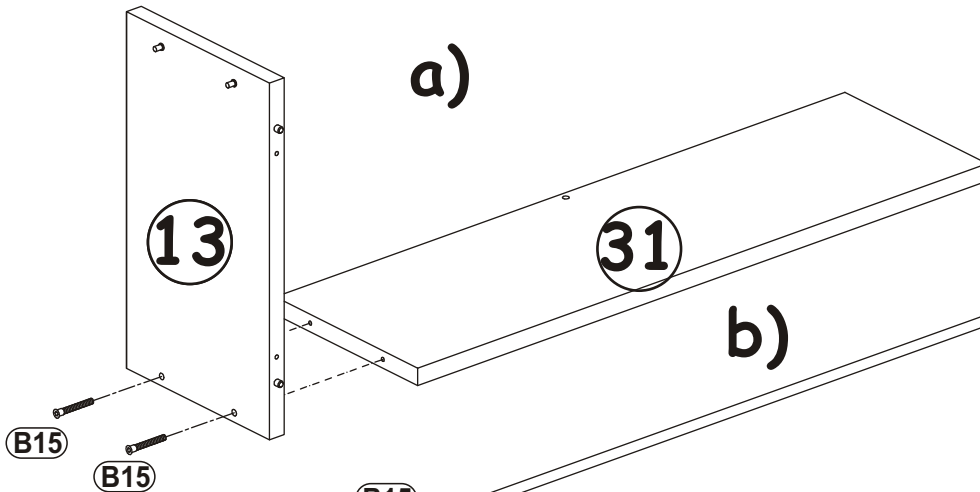
11



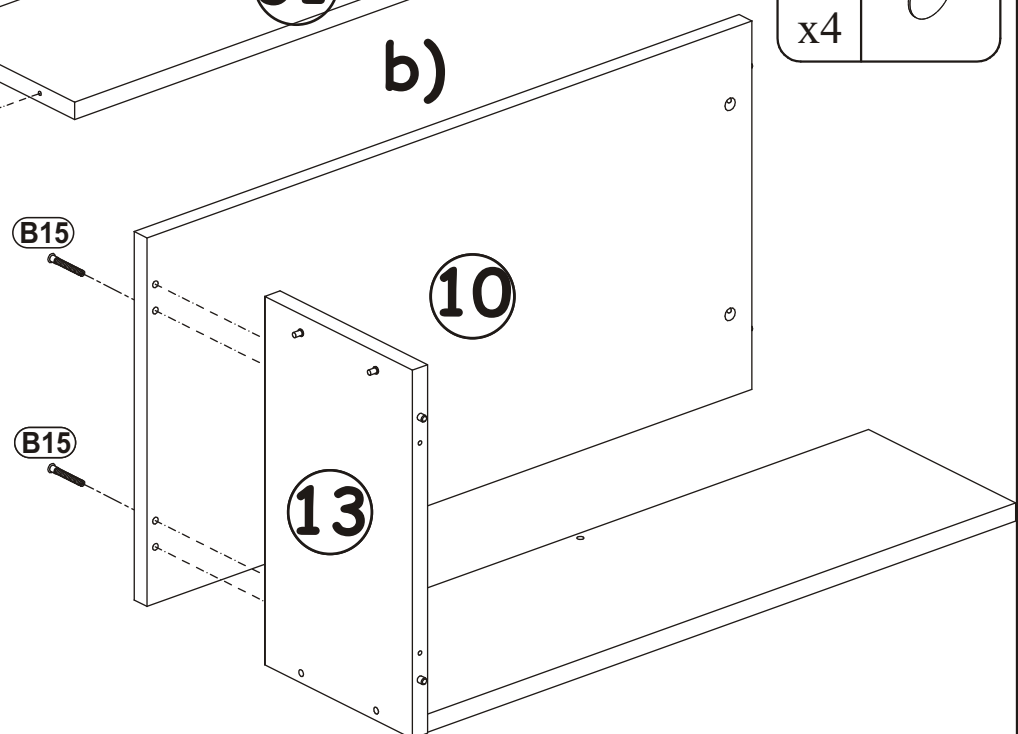
D31	
x2	EKØ6,3x13



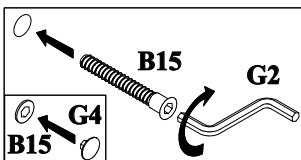
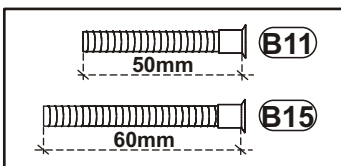
12



B15	
x4	Ø7x60



G4	
x4	

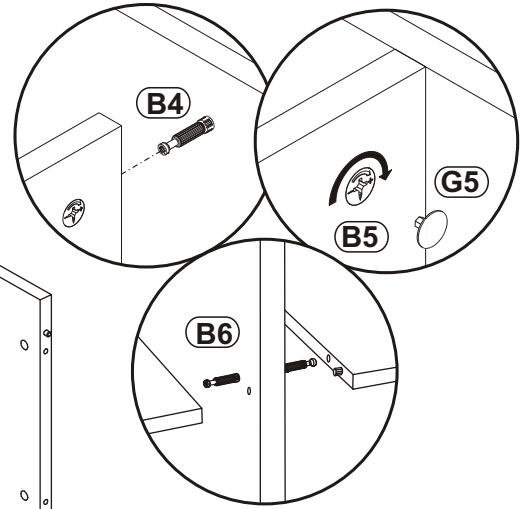
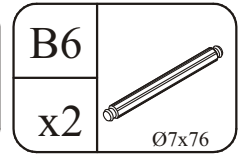
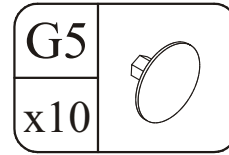
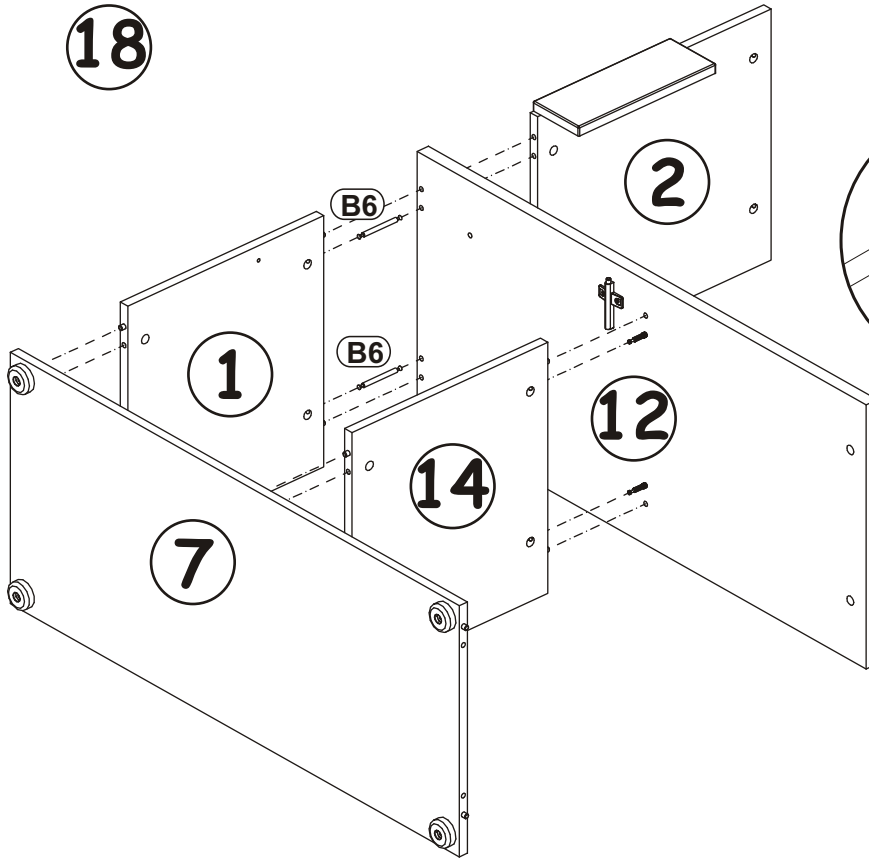




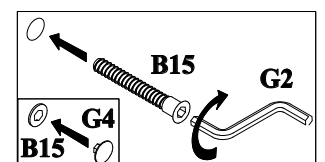
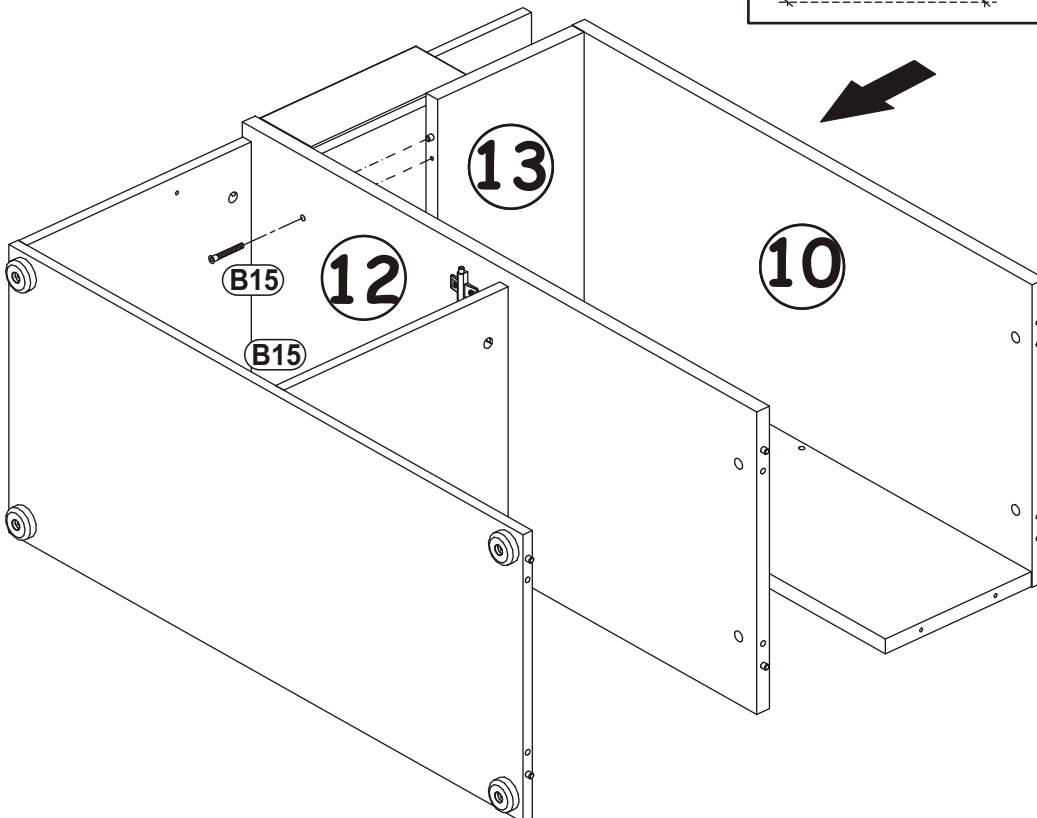
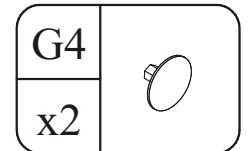
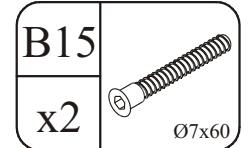
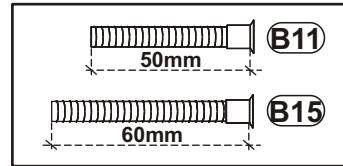
CROSS 28PEWCS SB

13

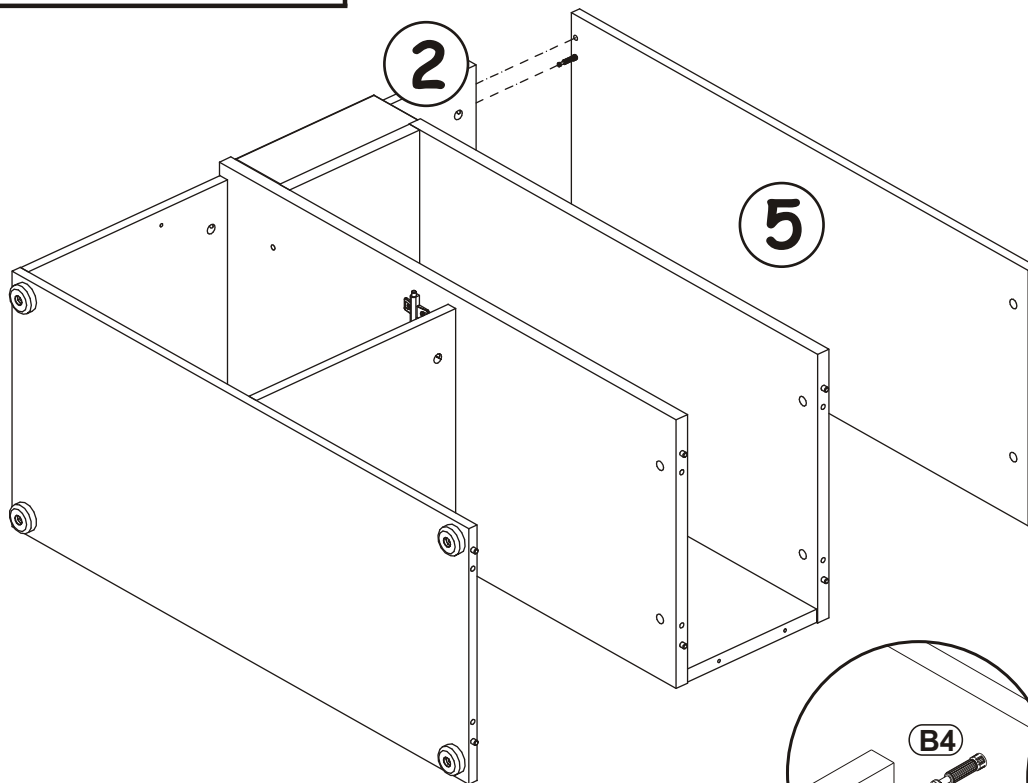
18




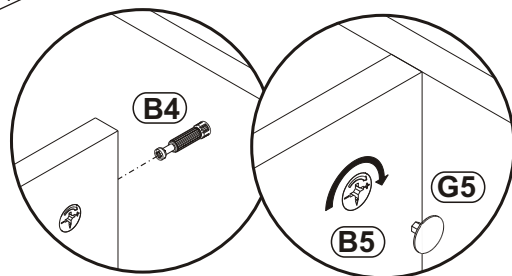
14



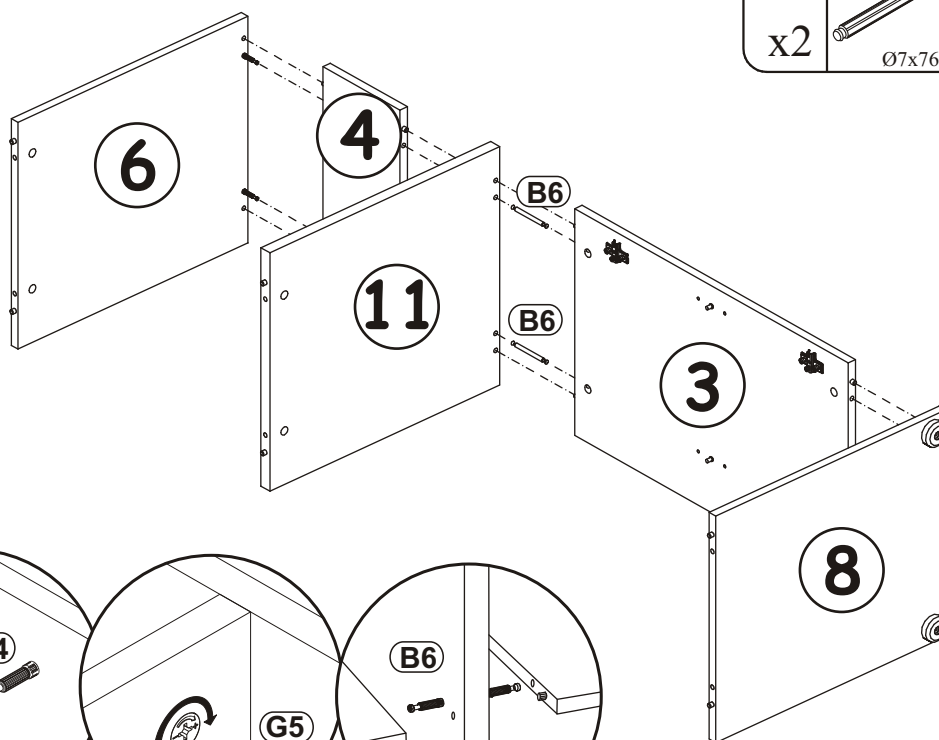
15

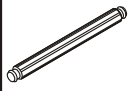



G5	
x4	

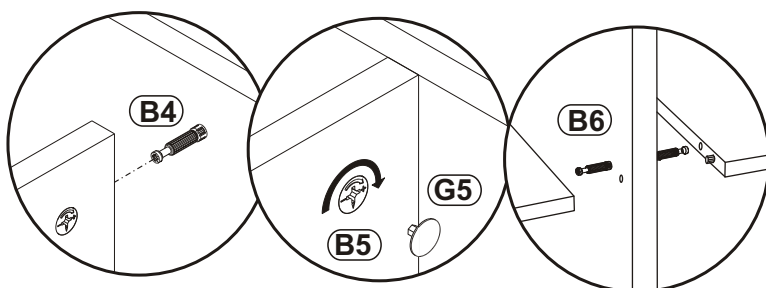


16





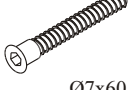
B6	
x2	Ø7x76


G5	
x8	

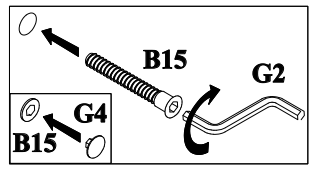
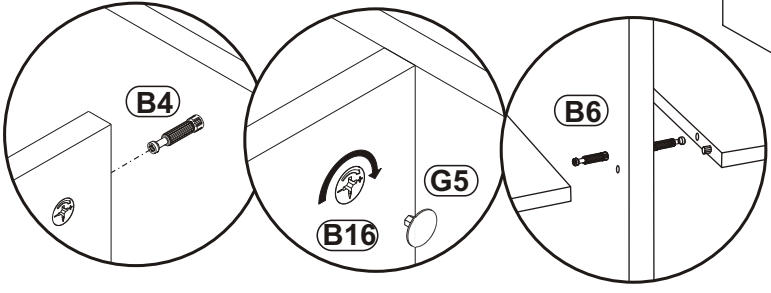
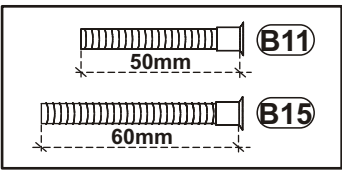
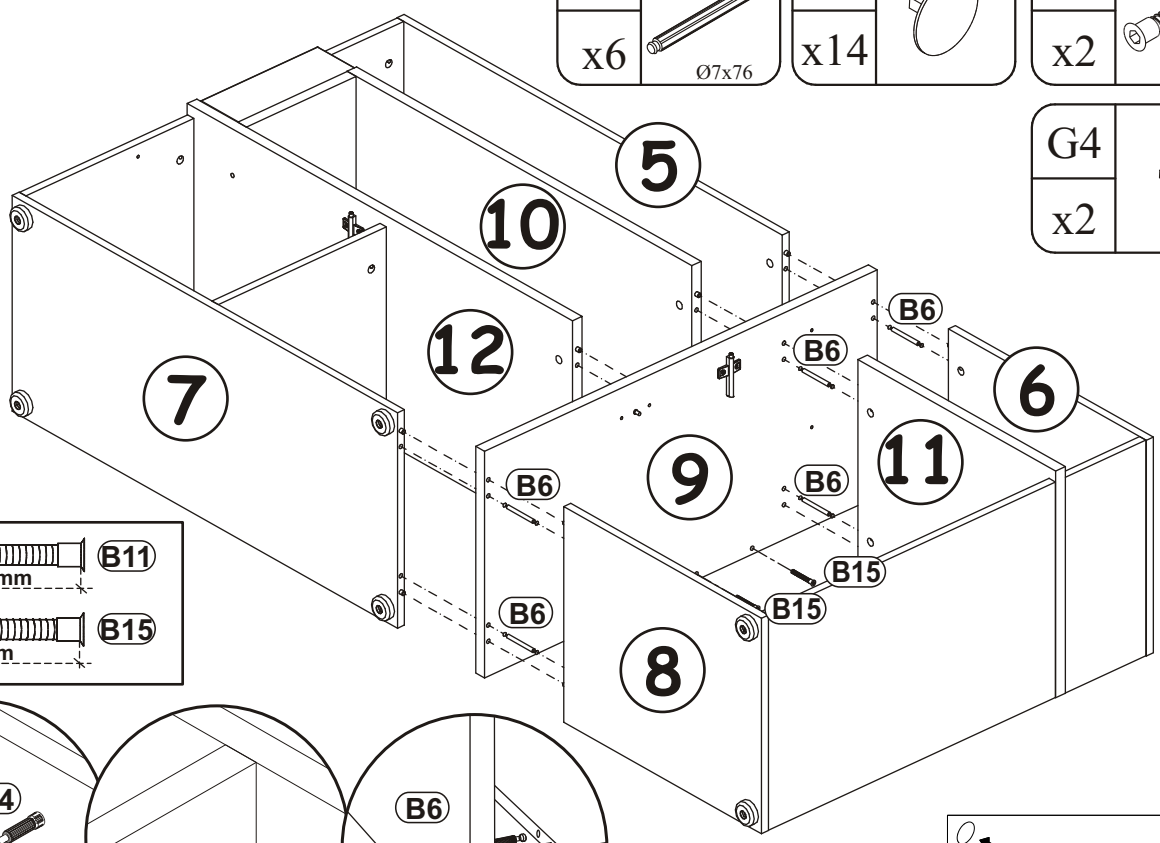


CROSS 28PEWCS SB


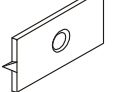
17

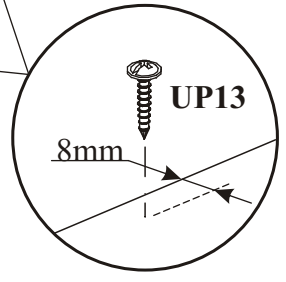
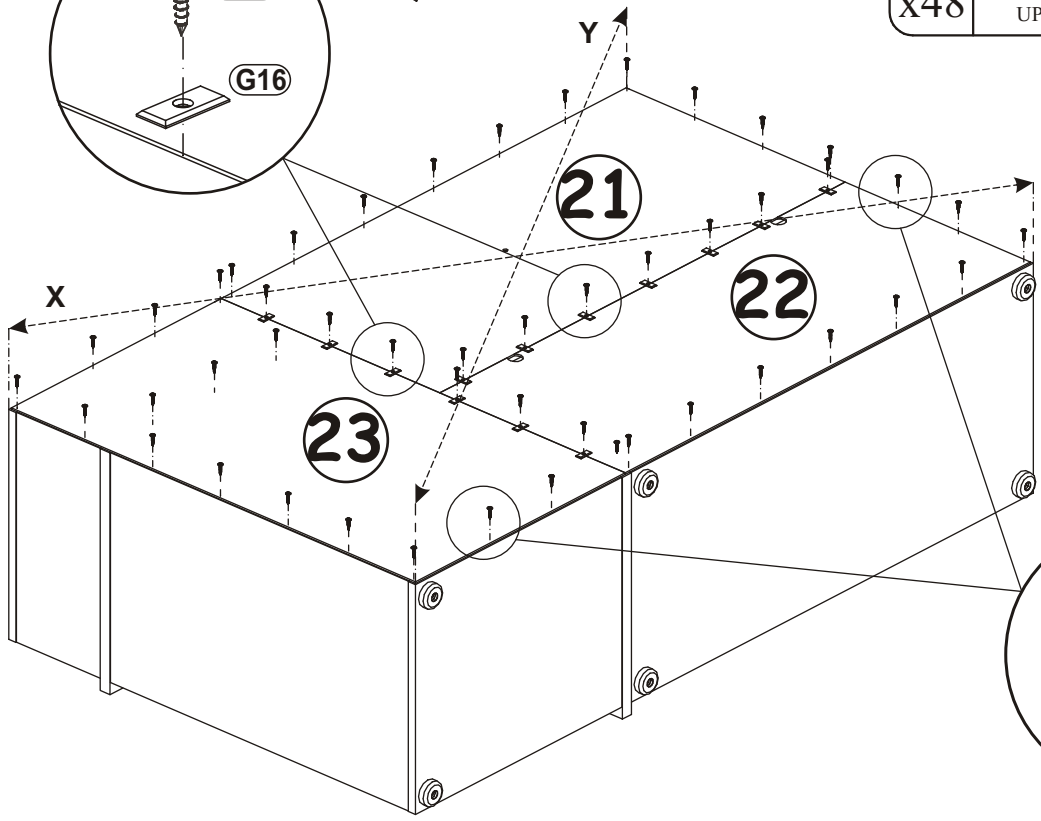
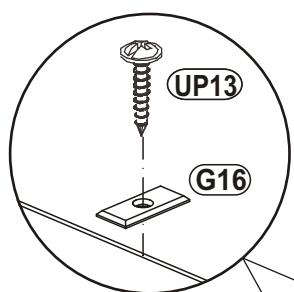
B6		G5		B15	
x6	Ø7x76	x14		x2	Ø7x60

G4	
x2	



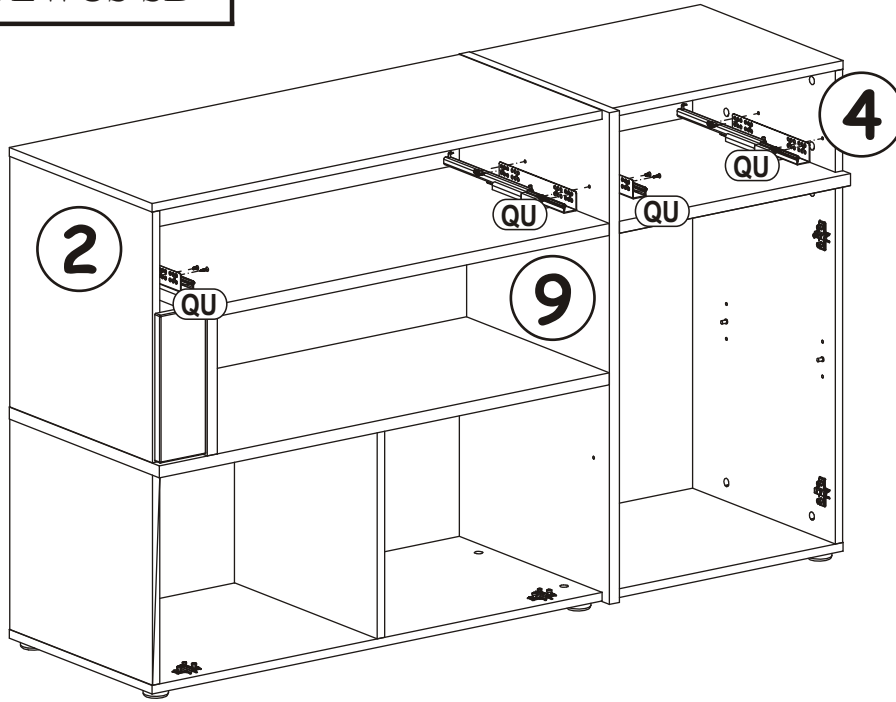
18

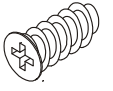


UP13		G16	
x48	UPØ3x16	x13	

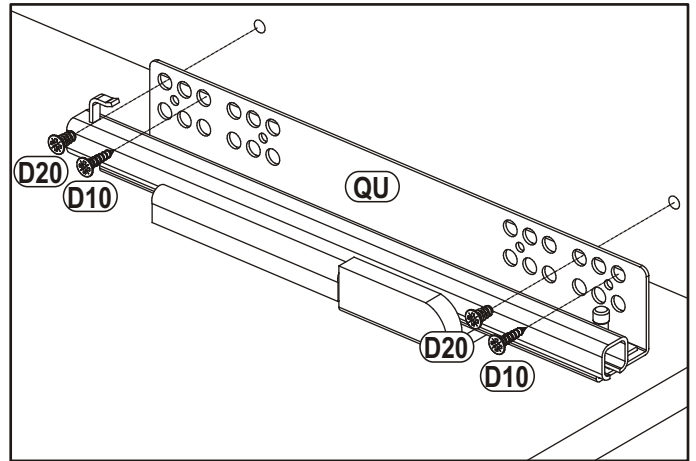
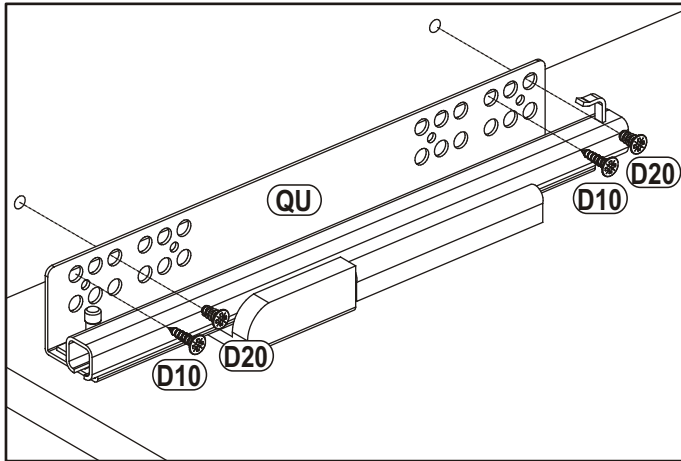


CROSS 28PEWCS SB

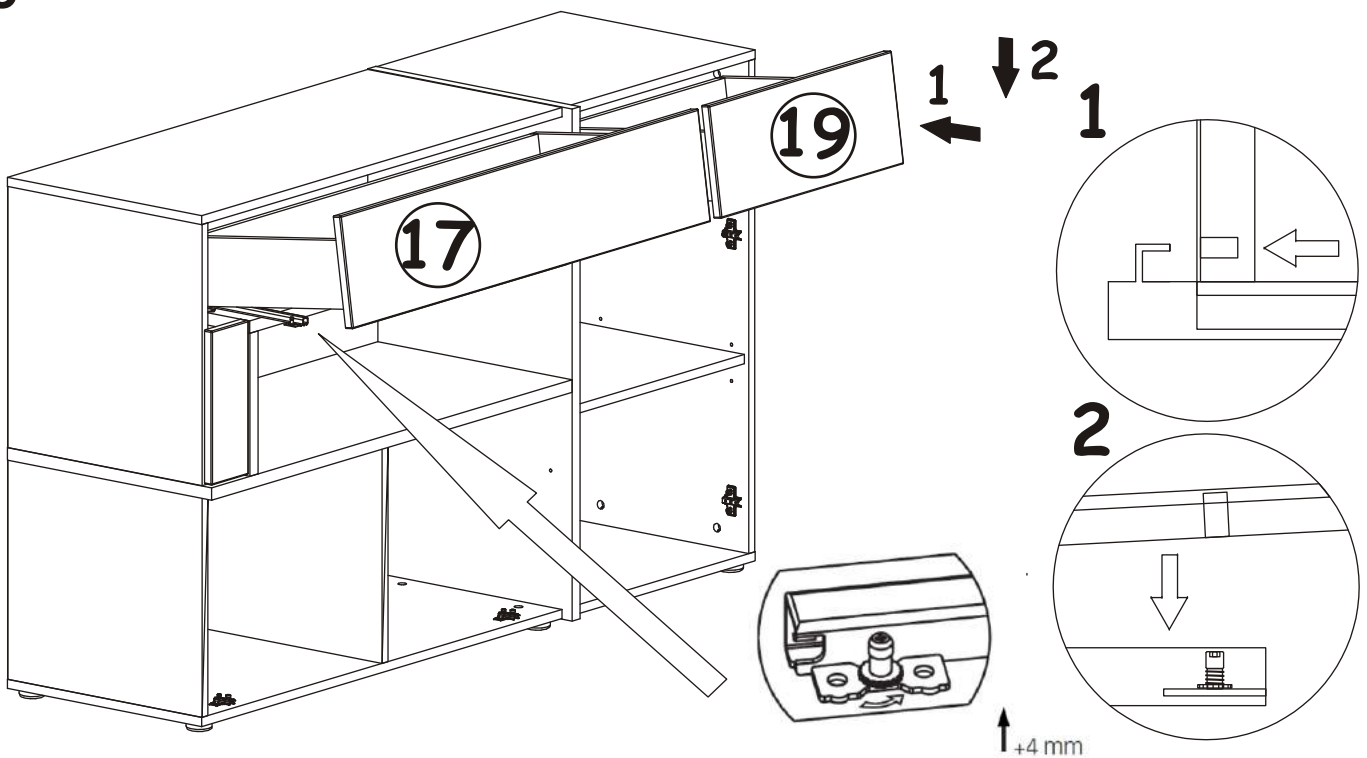
19



D20	
x8	ESØ6,3x9,5
D10	
x8	USØ3,5x13
QU	
x2	L-350

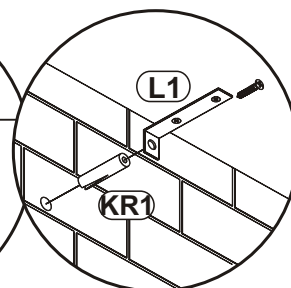
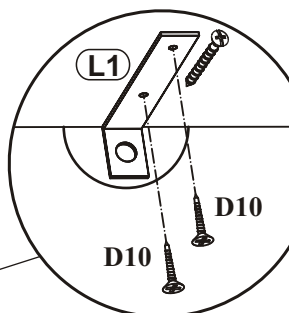
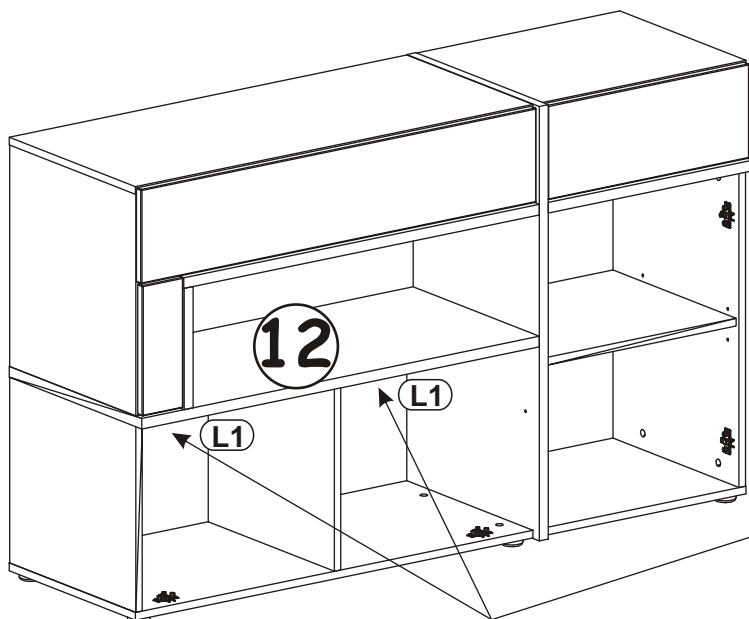
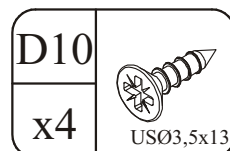
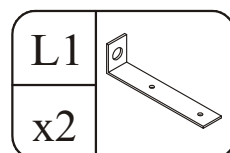
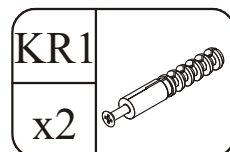
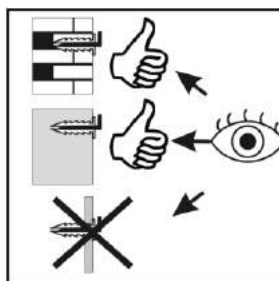
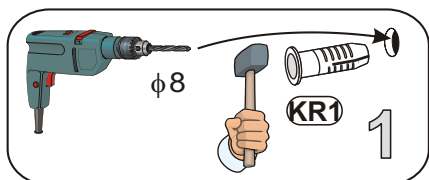


20

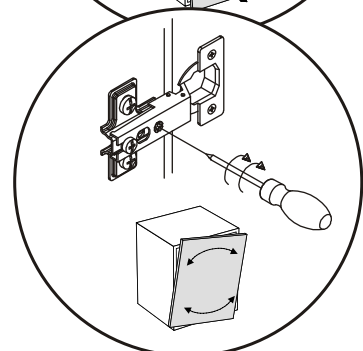
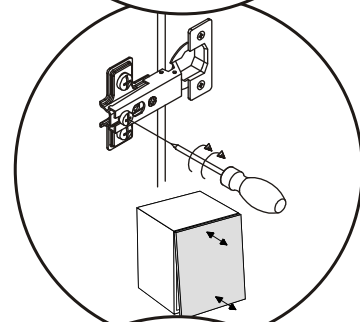
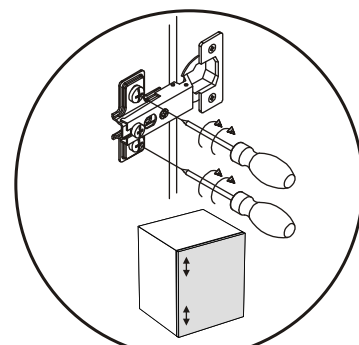
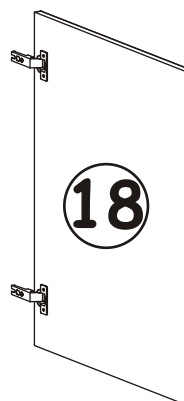
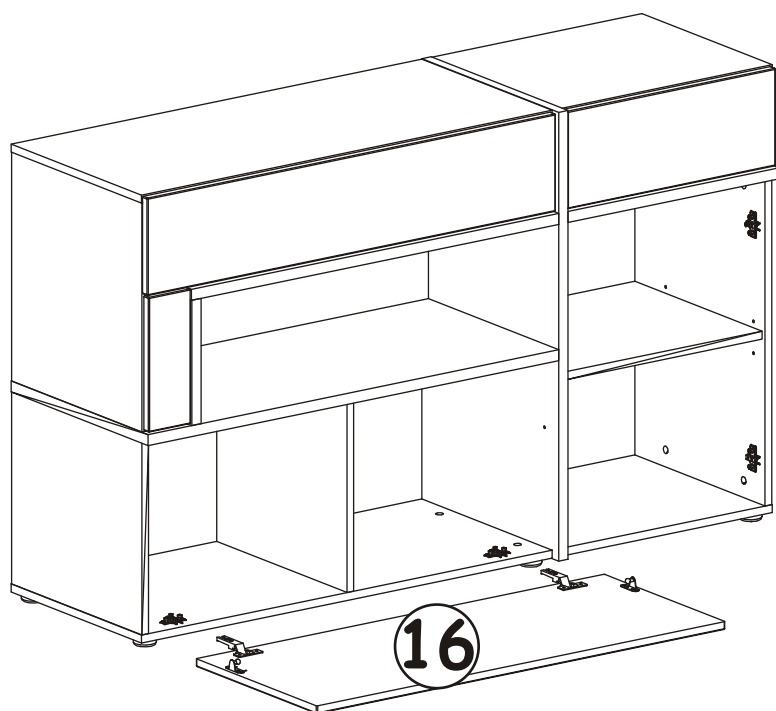


# CROSS 28PEWCS SB


21

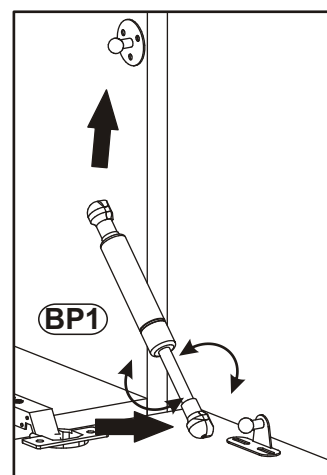
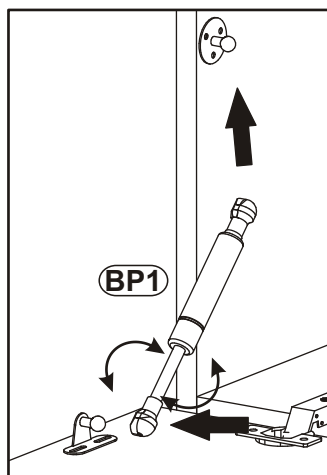
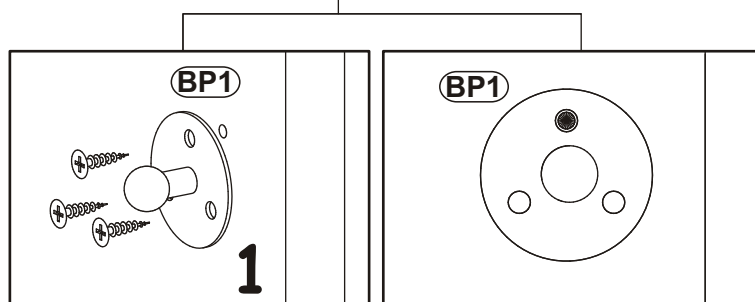
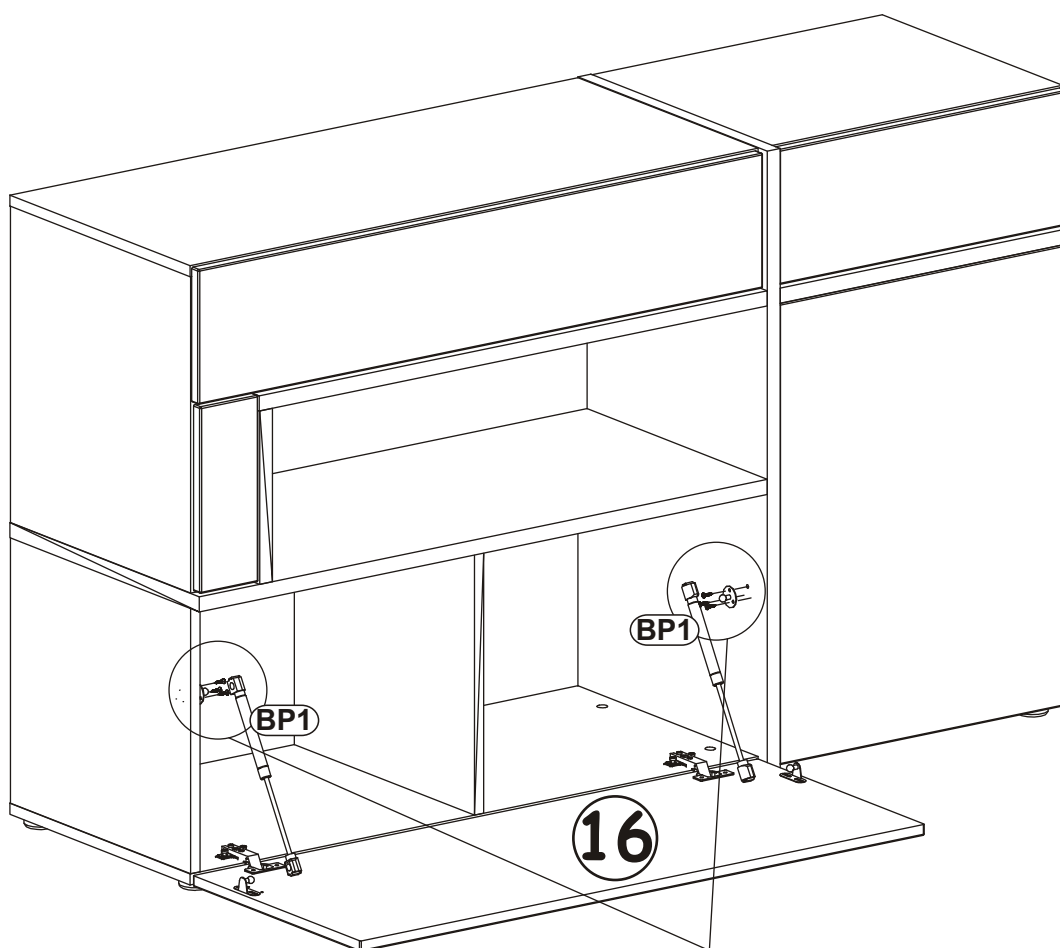


22

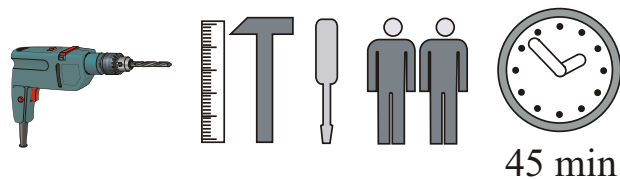
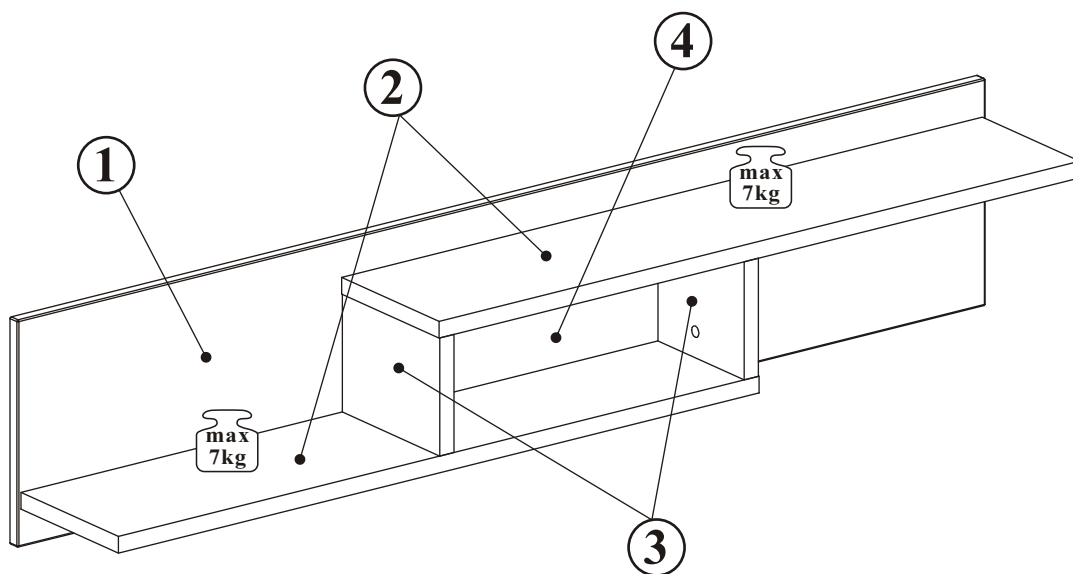
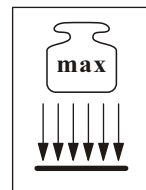


23

BP1	
x2	



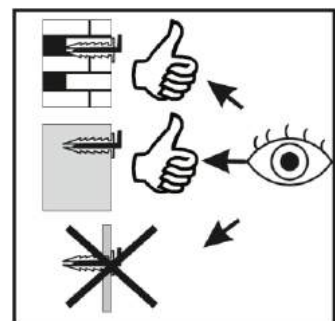
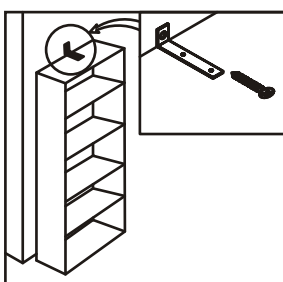
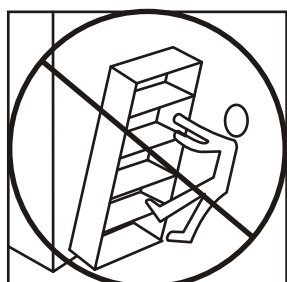
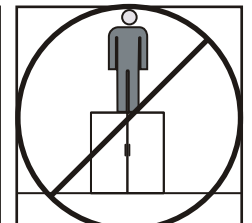
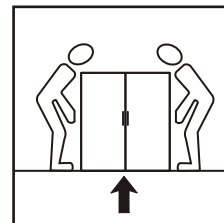
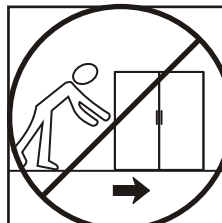
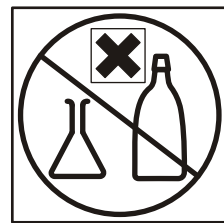
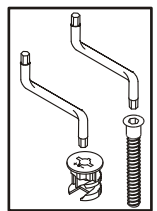
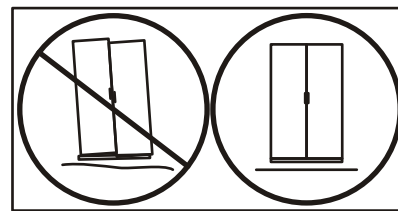
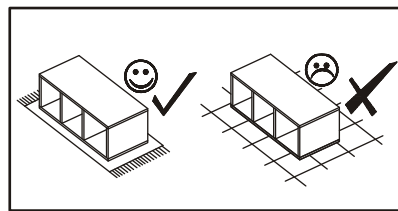
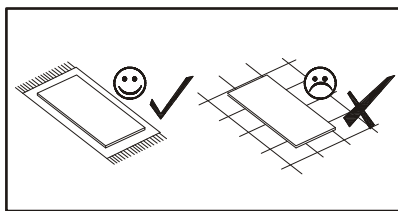
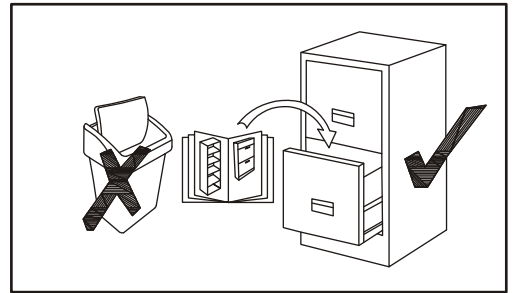
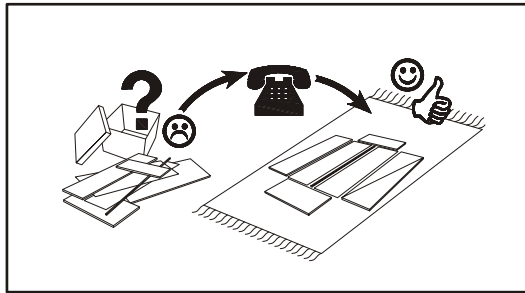
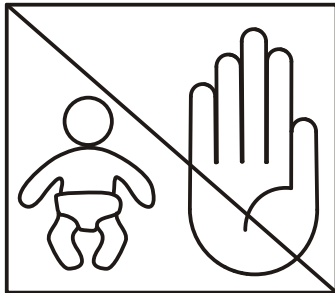
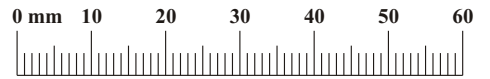
# CROSS 28PEWCS PW



NO	Dim.		Qty	Qty
1	1500	300	1	1
2	993	203	1	2
3	156	203	1	2
4	450	156	1	1

# CROSS 28PEWCS PW

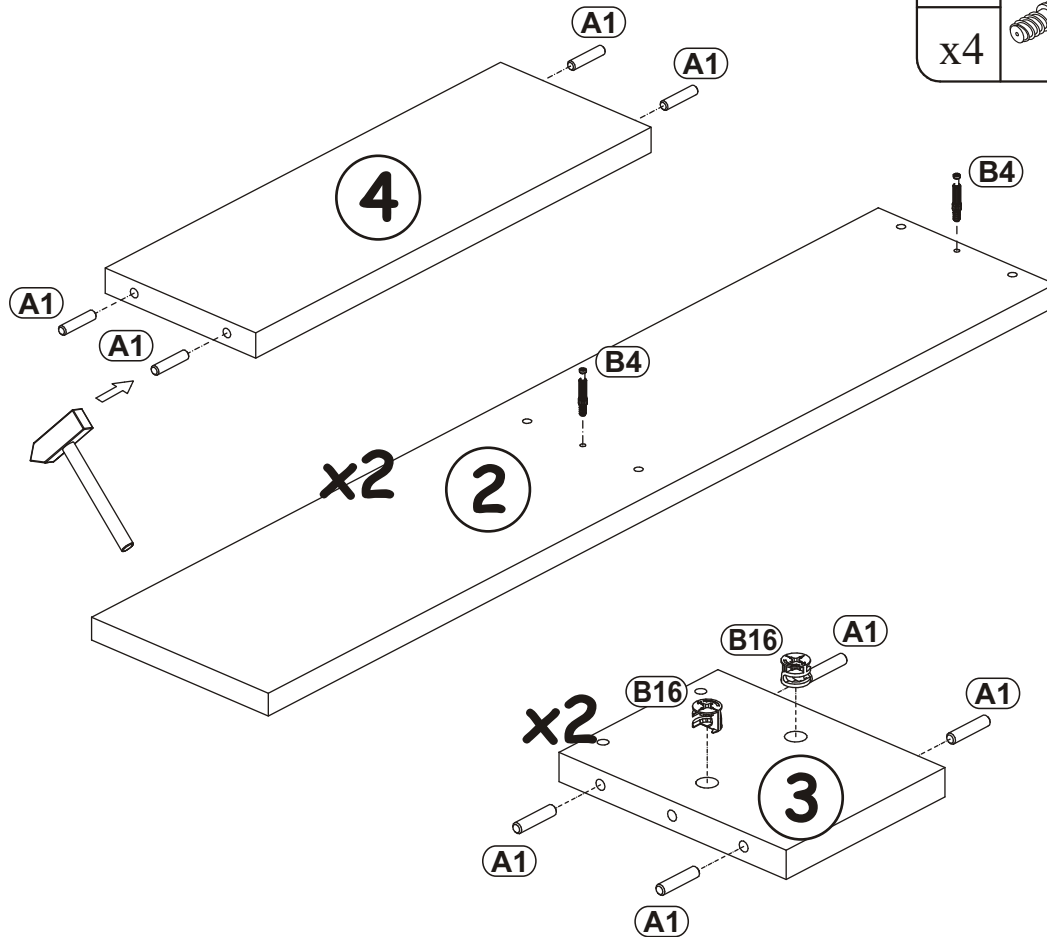
A1 x12 ø8x36	B4 x4	B16 x4 Ø15x16	G5 x4	B11 x8 Ø7x50	G4 x8
D10 x2 USØ3,5x13	P3 x2	KR2 x2	D28 x4 ESØ6x9,5	ZM1 x2	G2 x1





# CROSS 28PEWCS PW

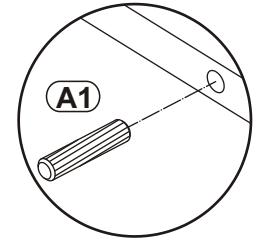
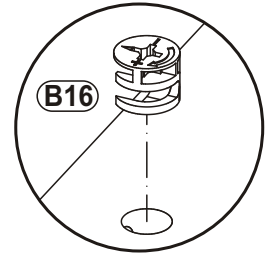
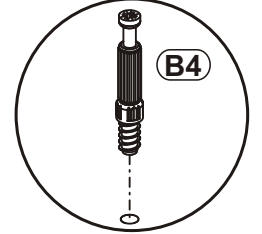
1



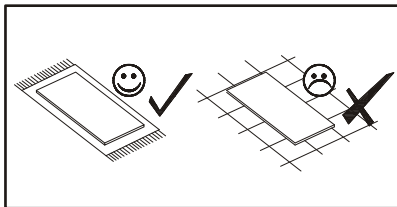
B4	
x4	

A1	
x12	ø8x36

B16	
x4	Ø15x16



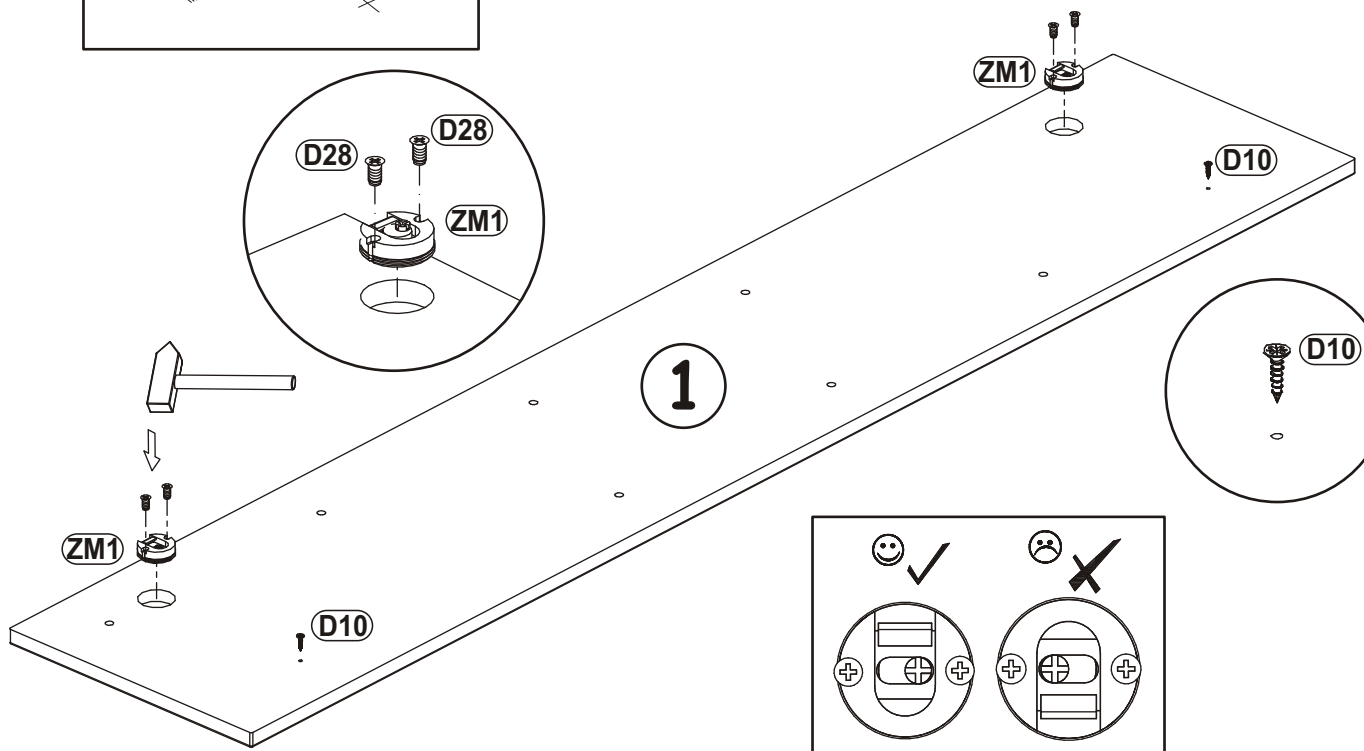
2



D10	
x2	USØ3,5x13

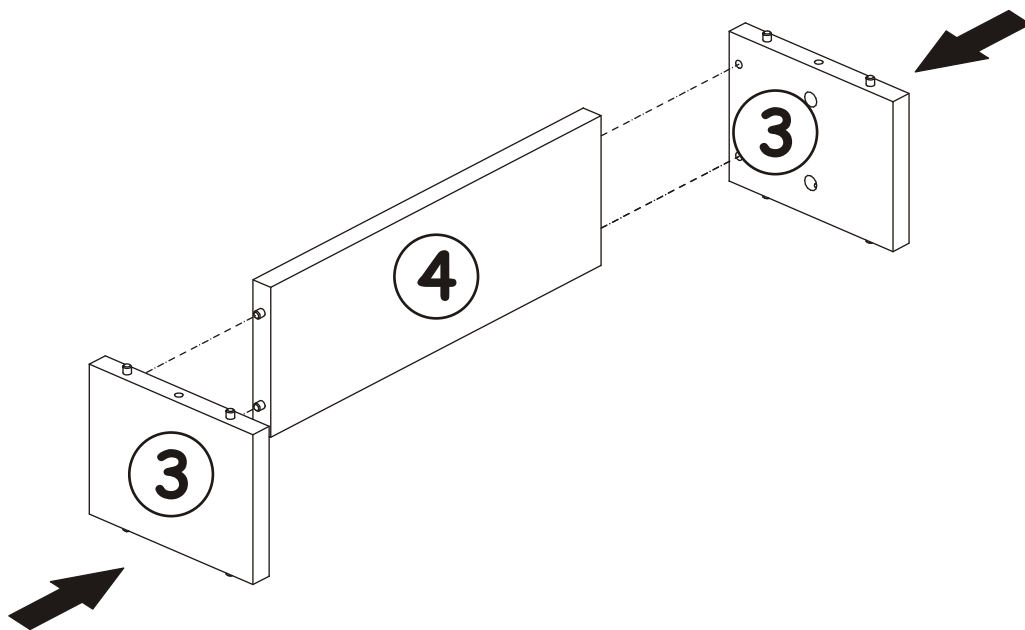
D28	
x4	ESØ6x9,5

ZM1	
x2	

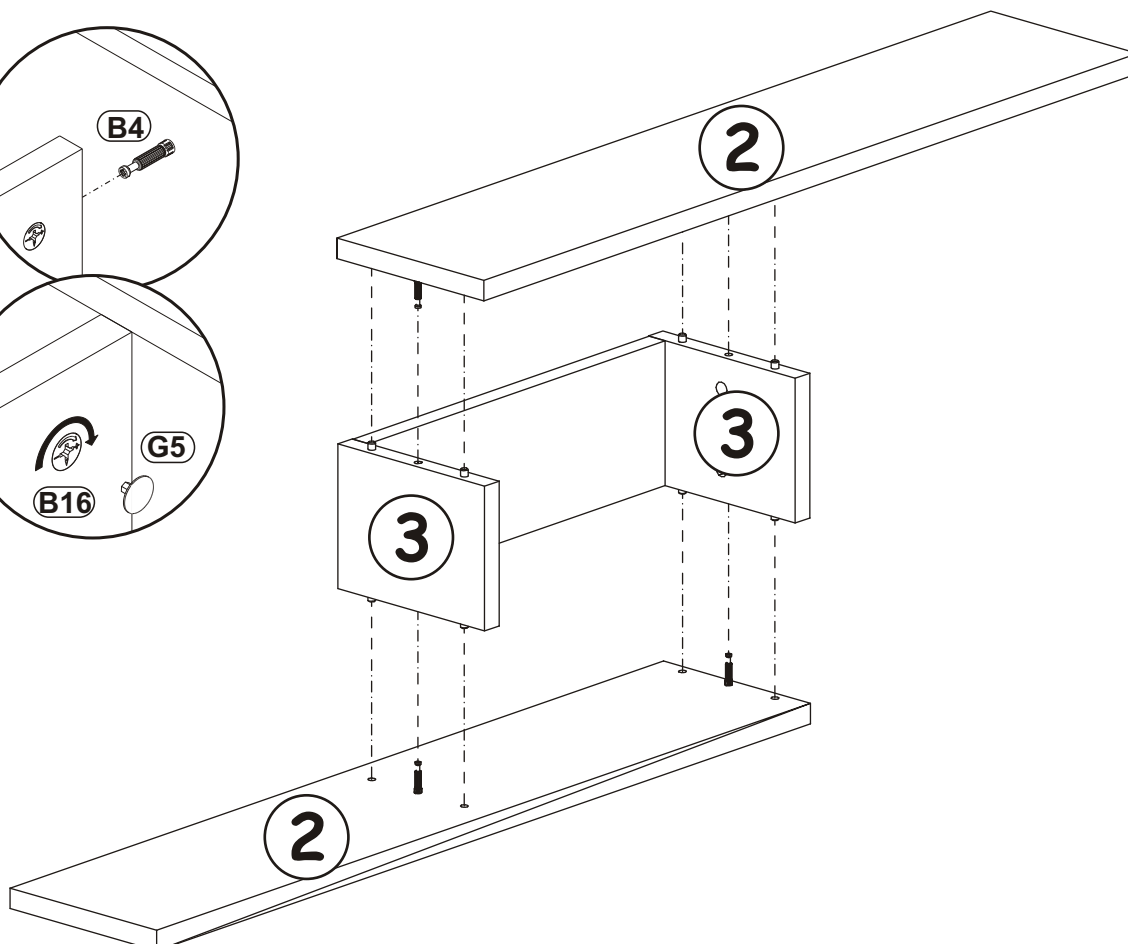
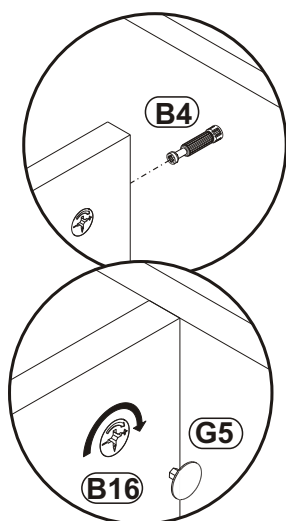
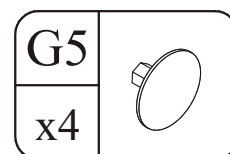


CROSS 28PEWCS PW

3

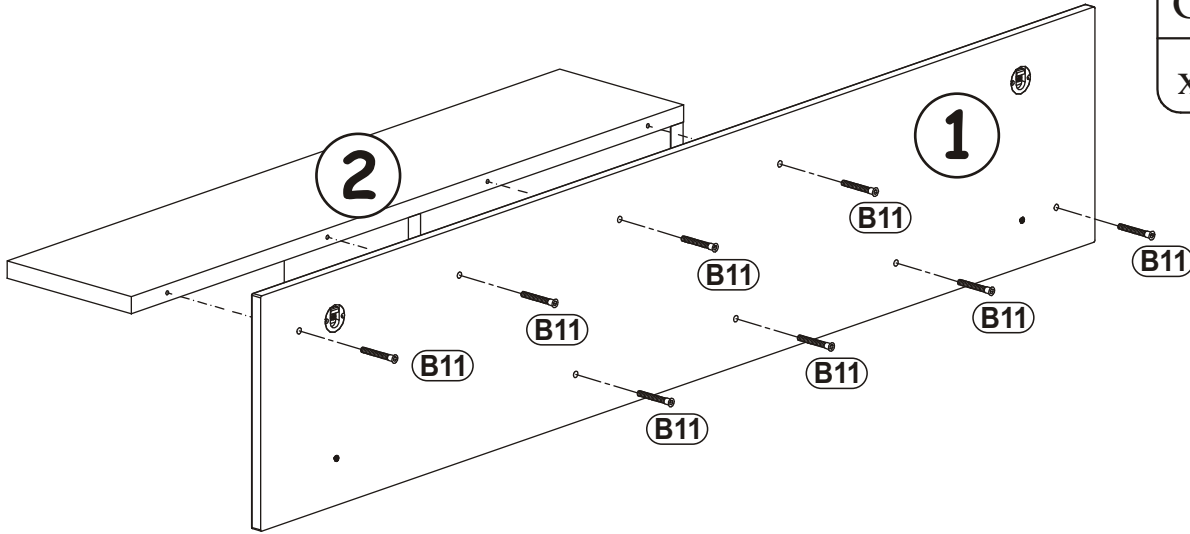
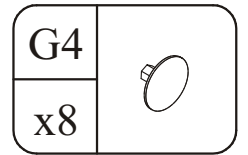
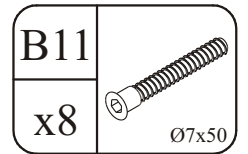
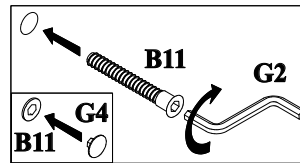


4

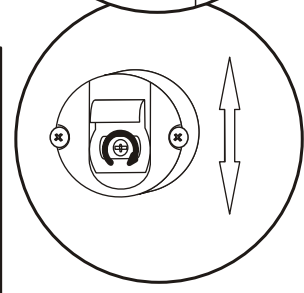
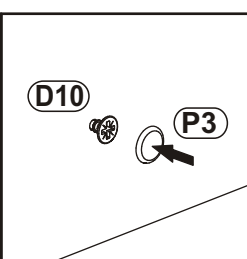
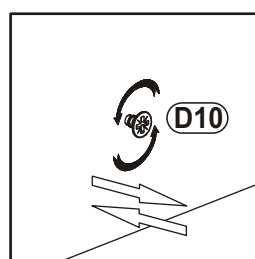
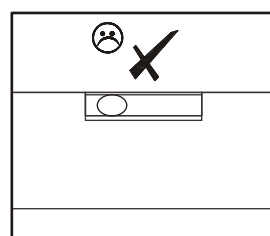
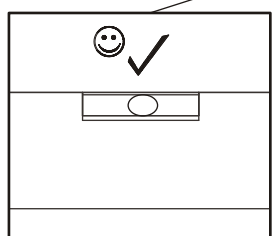
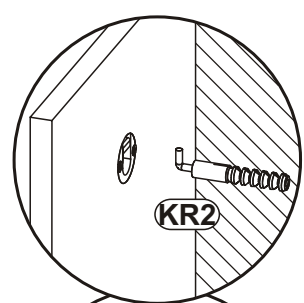
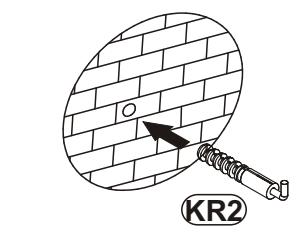
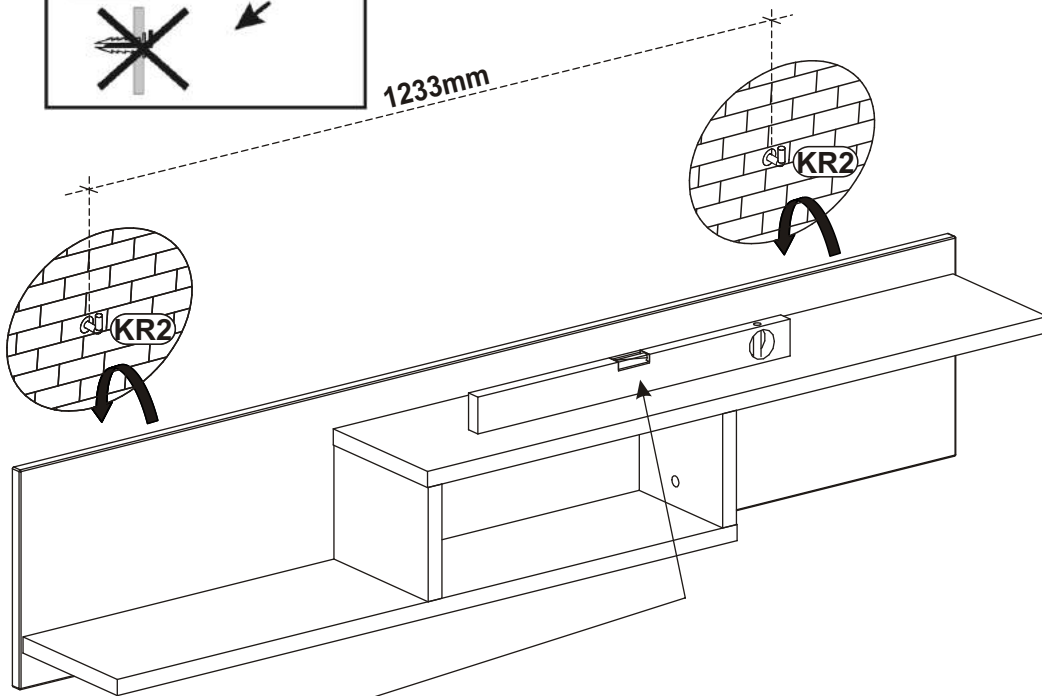
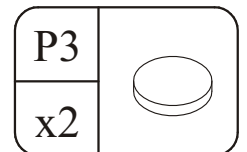
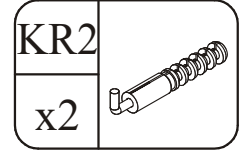
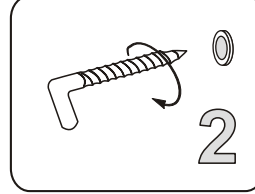
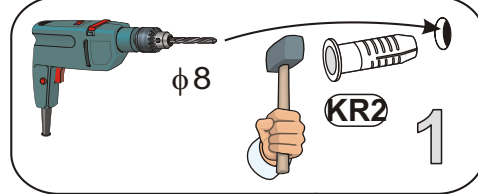
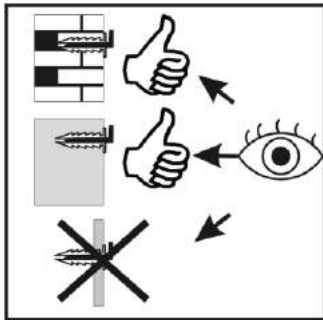


CROSS 28PEWCS PW

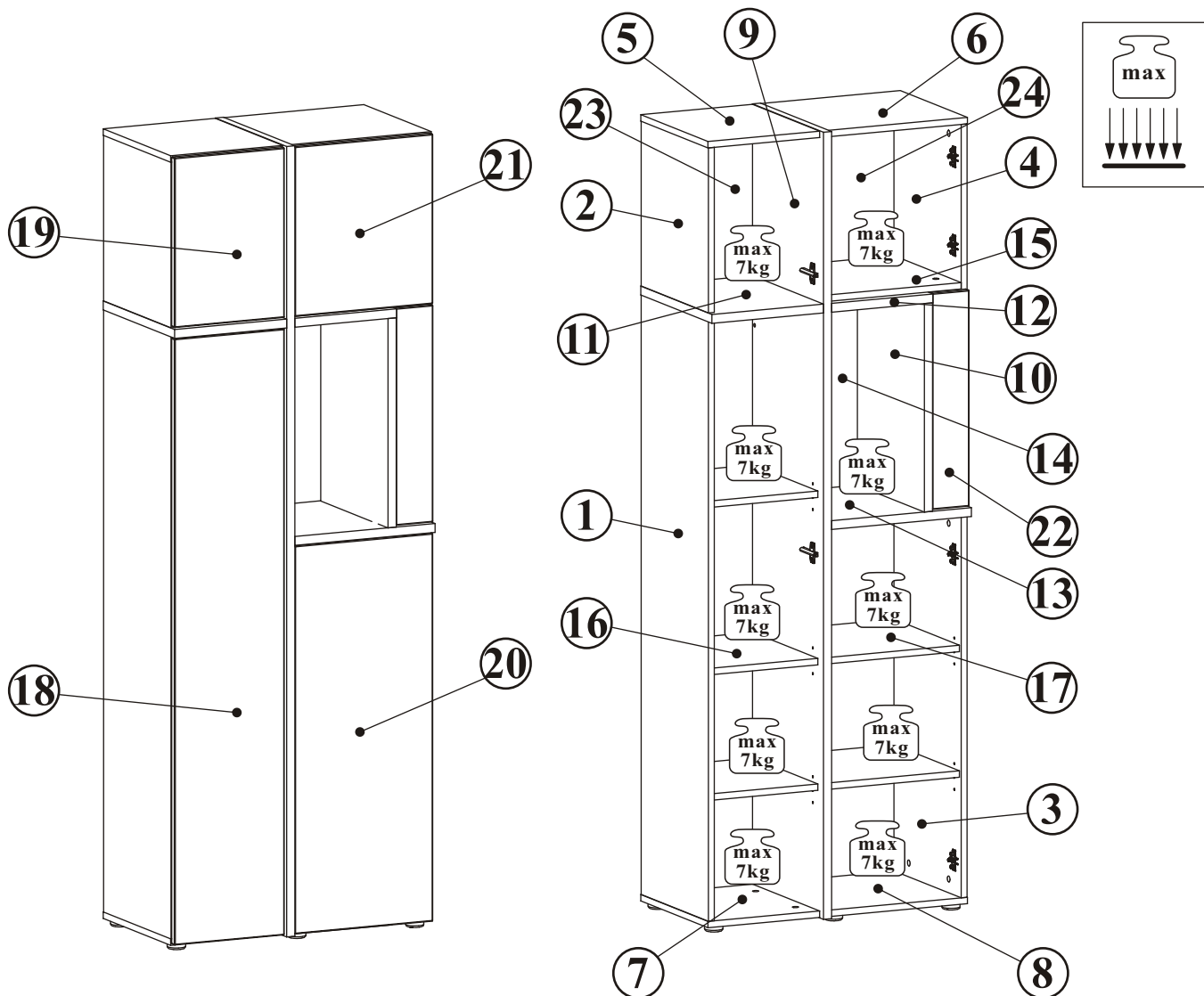
5



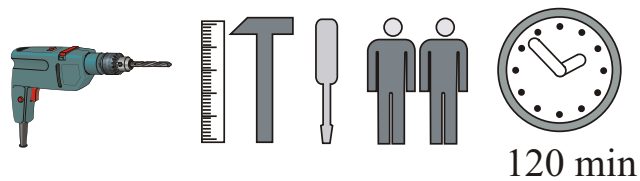
6



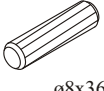
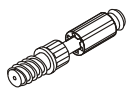




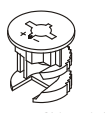
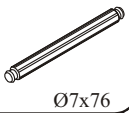
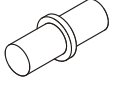
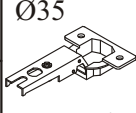
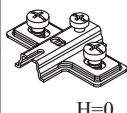
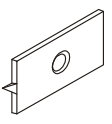
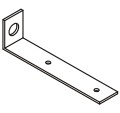
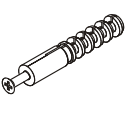
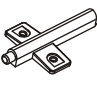
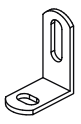
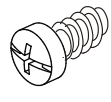



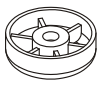

# CROSS 28PEWCS WSW

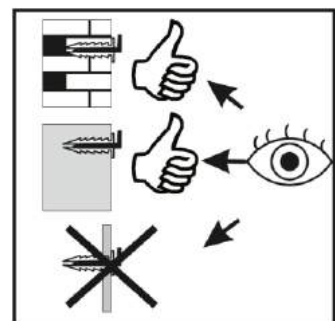
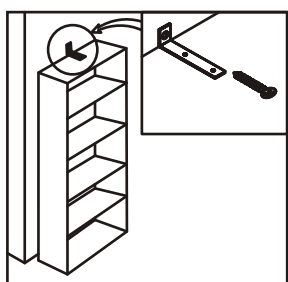
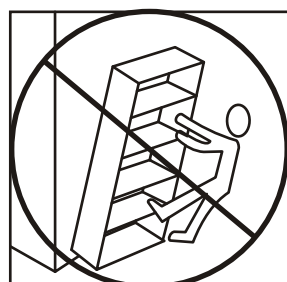
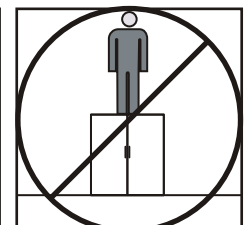
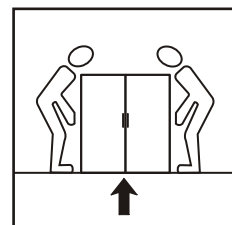
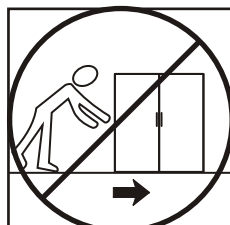
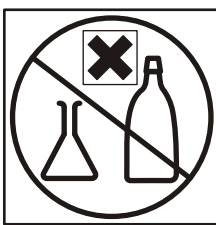
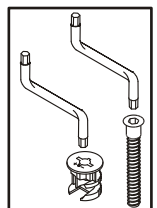
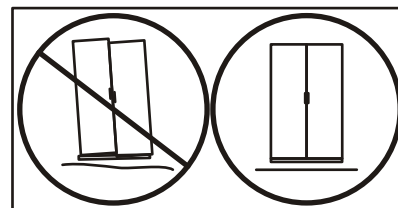
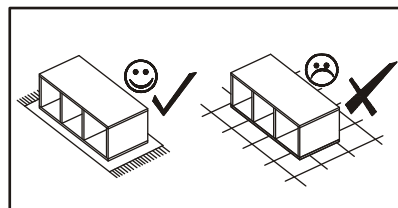
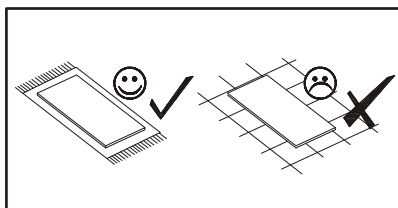
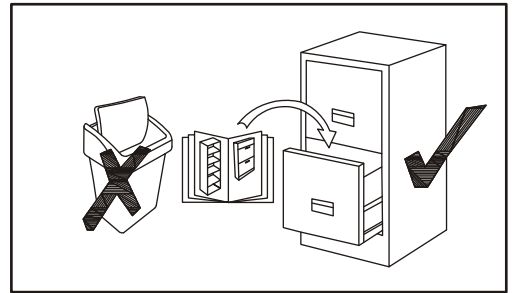
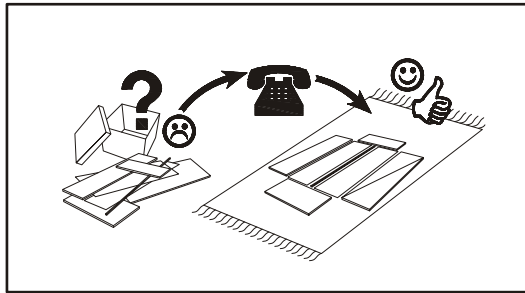
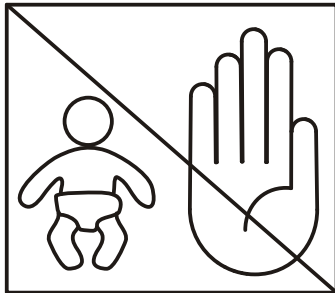
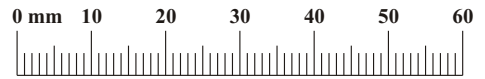


NO	Dim.			Qty	Qty
1	1490	377	16	3	1
2	410	377	16	3	1
3	950	377	16	3	1
4	950	377	16	3	1
5	302	377	16	1	1
6	378	377	16	1	1
7	302	377	16	1	1
8	378	377	16	1	1
15	361	377	16	1	1
16	285	367	16	1	3
17	361	367	16	1	2
9	1956	399	22	3	1
10	518	399	22	1	1
11	302	399	22	1	1
12	274	399	22	1	1
13	378	399	22	1	1
14	250	517	22	1	1
18	1500	296	16	2	1
19	420	296	16	2	1
20	960	372	16	2	1
21	420	372	16	2	1
22	537	100	16	2	1
23	1948	309	3	2	1
24	1948	385	3	2	1



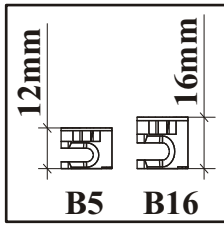
# CROSS 28PEWCS WSW

A1 x38  ø8x36	B4 x14 	B5 x28  ø15x12	G5 x34 	B15 x8  Ø7x60	G4 x8 
B16 x6  Ø15x16	B6 x10  Ø7x76	G7 x22 	E21 x9  Ø35 H=0	E2 x9  H=0	G16 x13 
L1 x2 	KR1 x2 	T3 x4 	L6 x3 	D31 x6  EKØ6,3x13	UP13 x54  UPØ3x16
D10 x30  USØ3,5x13	UP15 x6  UPØ4x25	I11 x6  Ø45, h=15	G2 x1 		



# CROSS 28PEWCS WSW

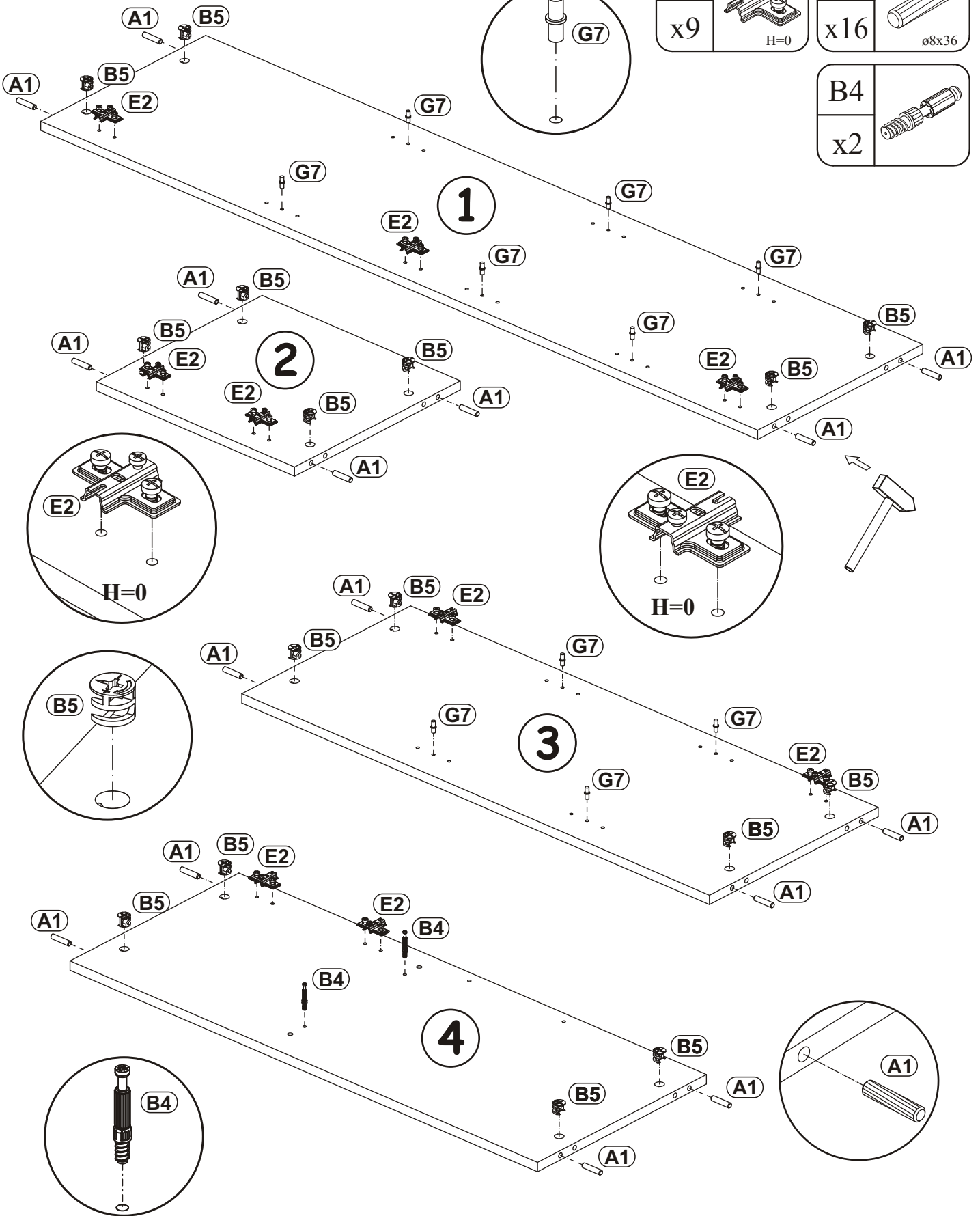
1



B5		G7	
x16	ø15x12	x10	

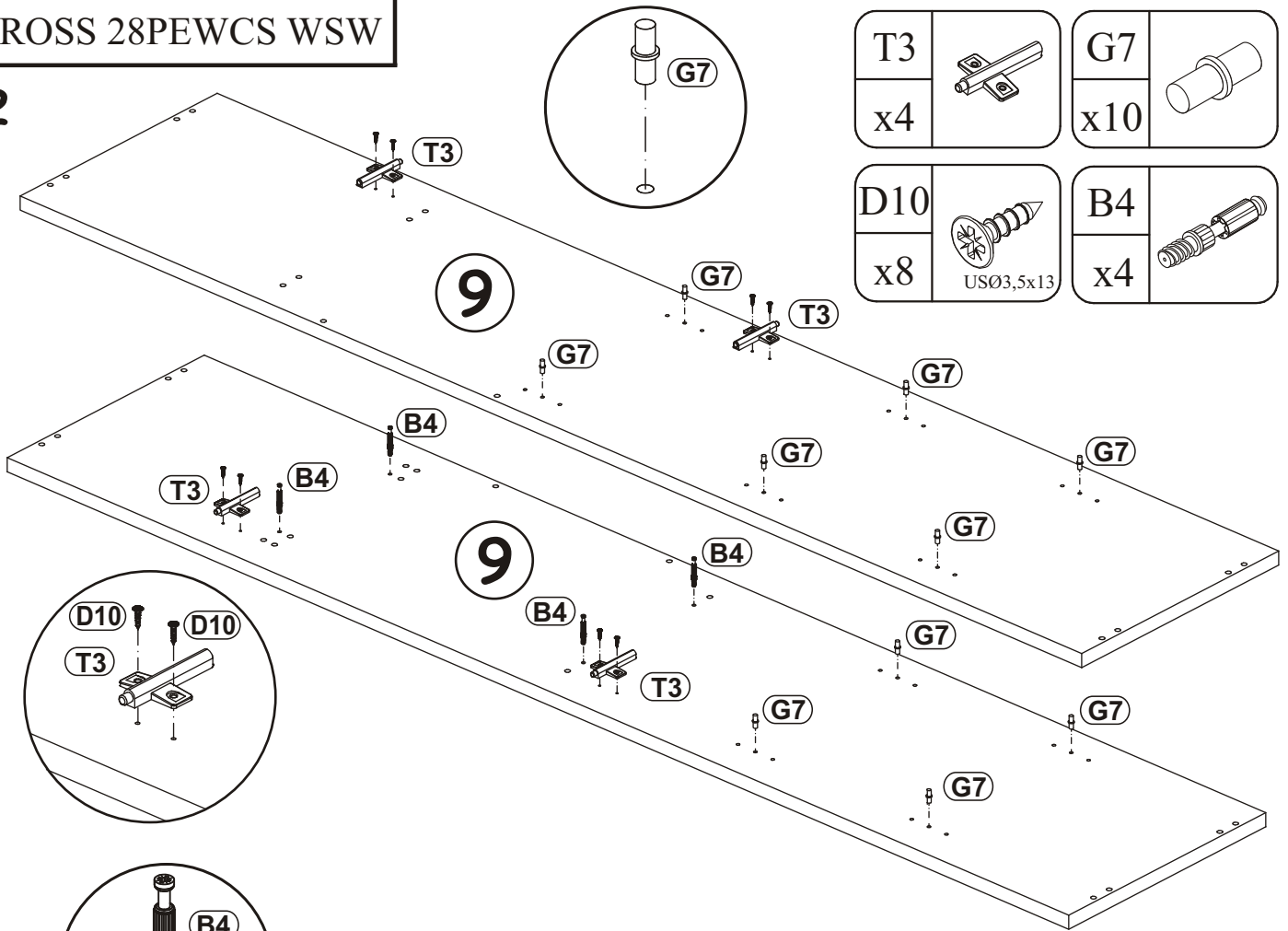
E2		A1	
x9	H=0	x16	ø8x36

B4	
x2	



# CROSS 28PEWCS WSW

2



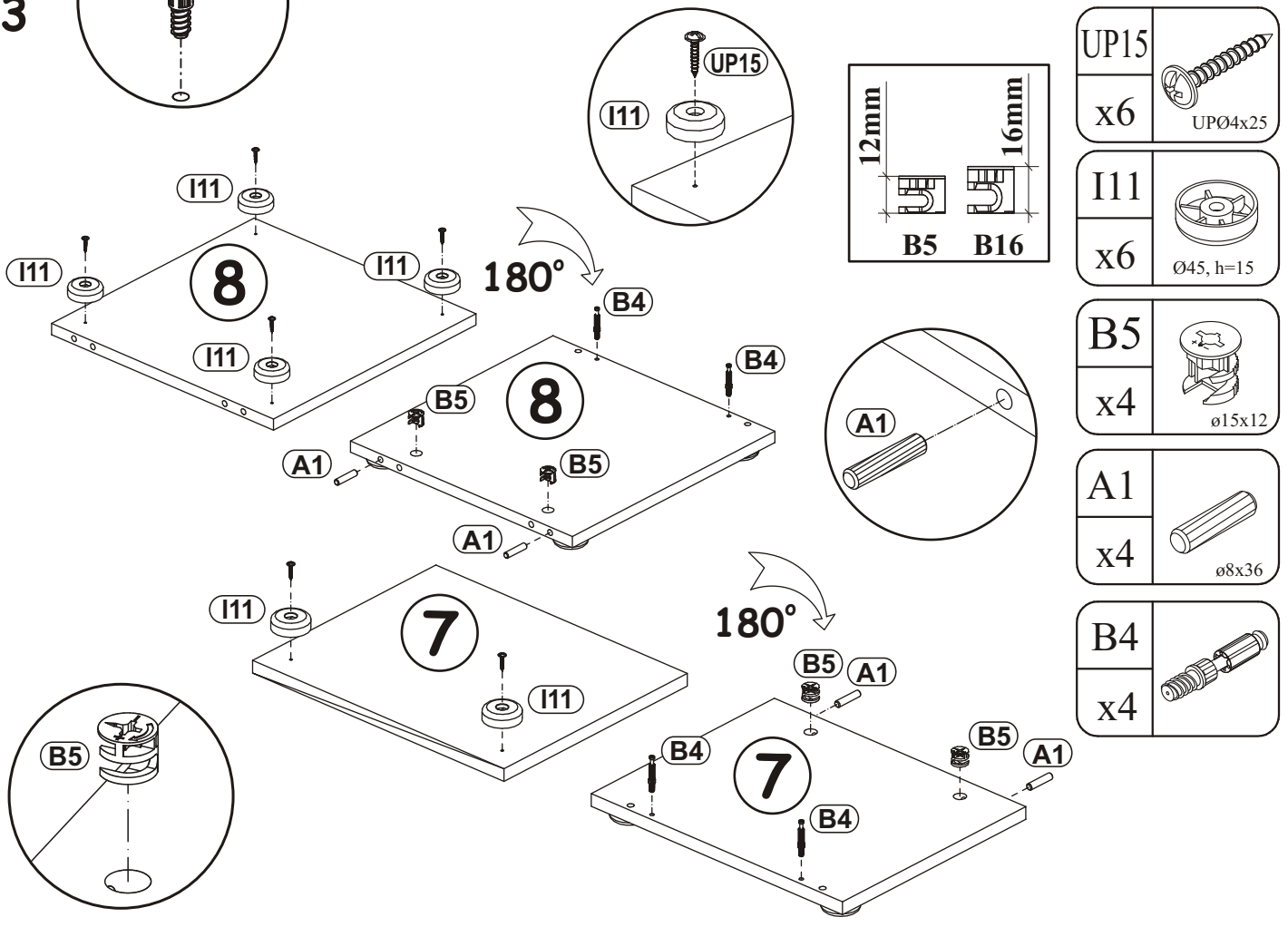
T3	
x4	

G7	
x10	

D10	
x8	USØ3,5x13

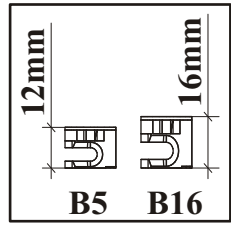
B4	
x4	

3



UP15	
x6	UPØ4x25

I11	
x6	Ø45, h=15

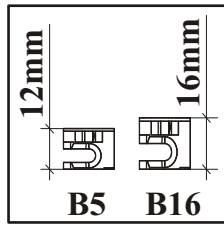


B5	
x4	Ø15x12

A1	
x4	Ø8x36

B4	
x4	

4

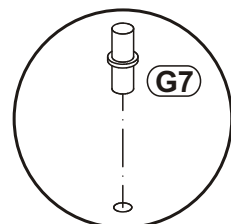
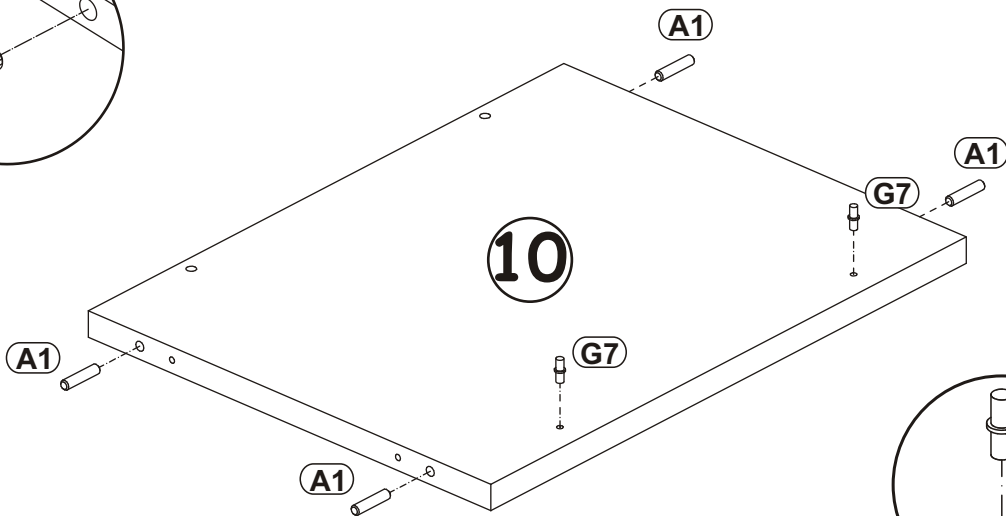
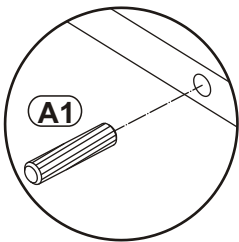
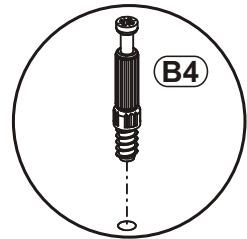
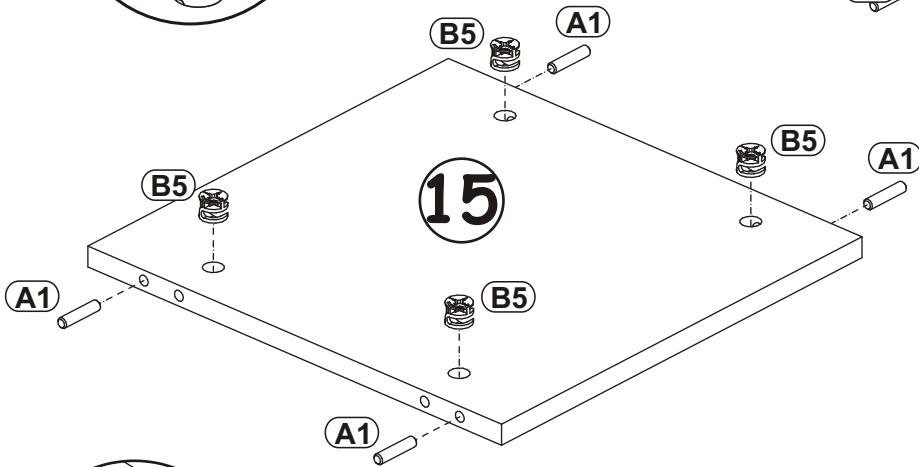
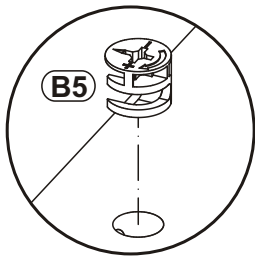
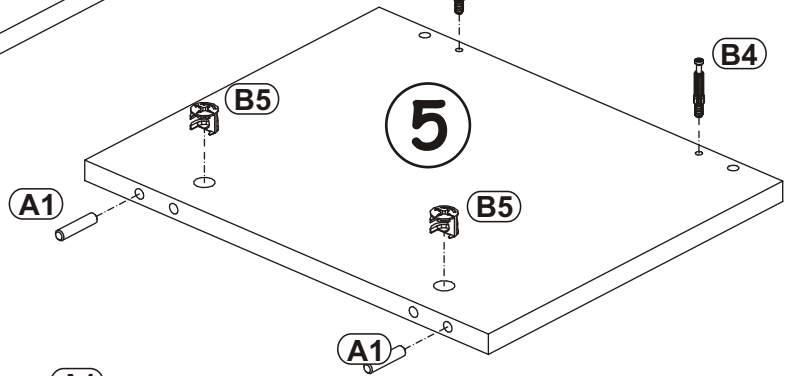
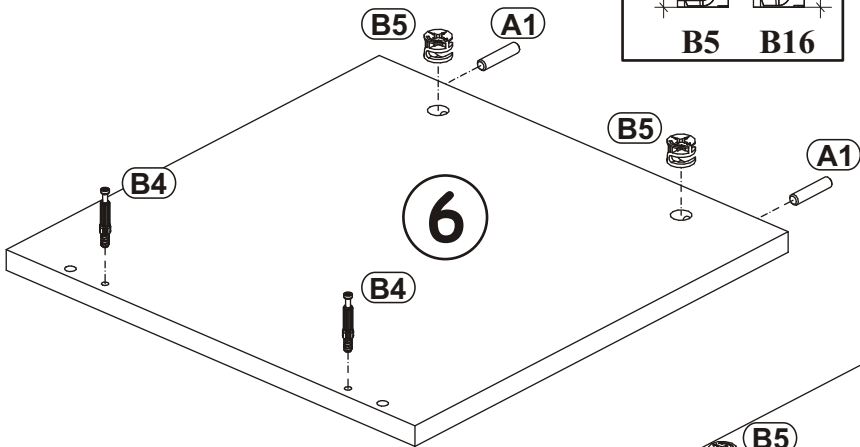


G7	
x2	

B5	
x8	$\varnothing 15 \times 12$

A1	
x12	$\varnothing 8 \times 36$

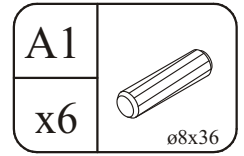
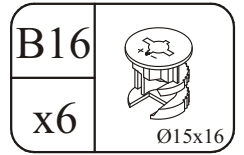
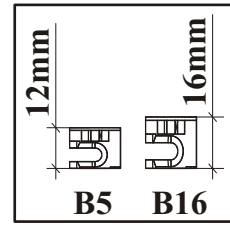
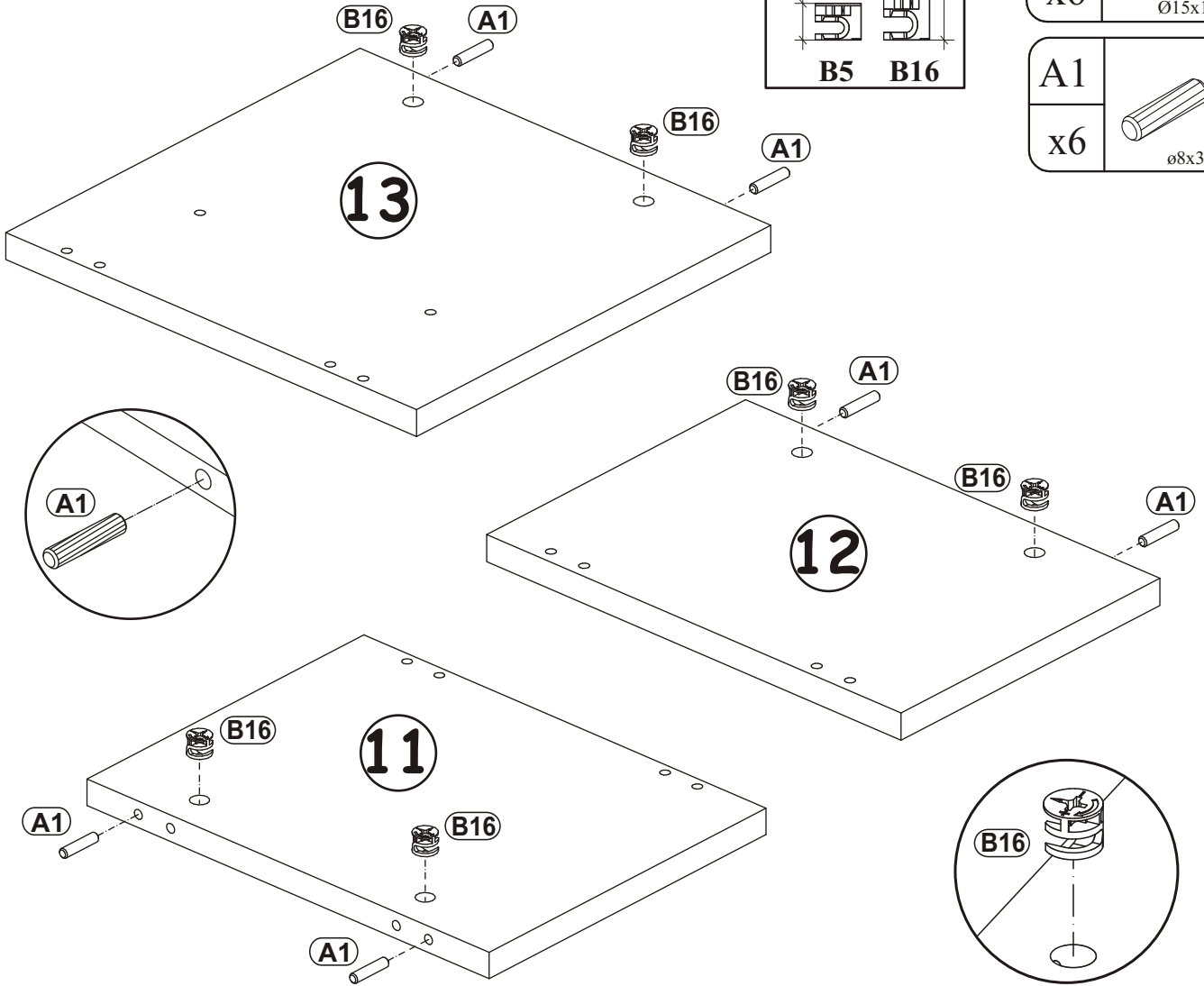
B4	
x4	



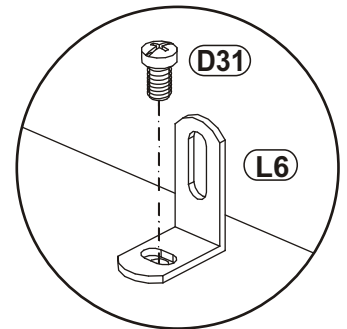
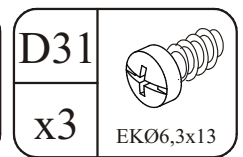
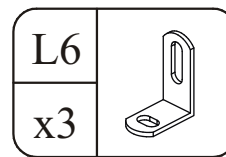
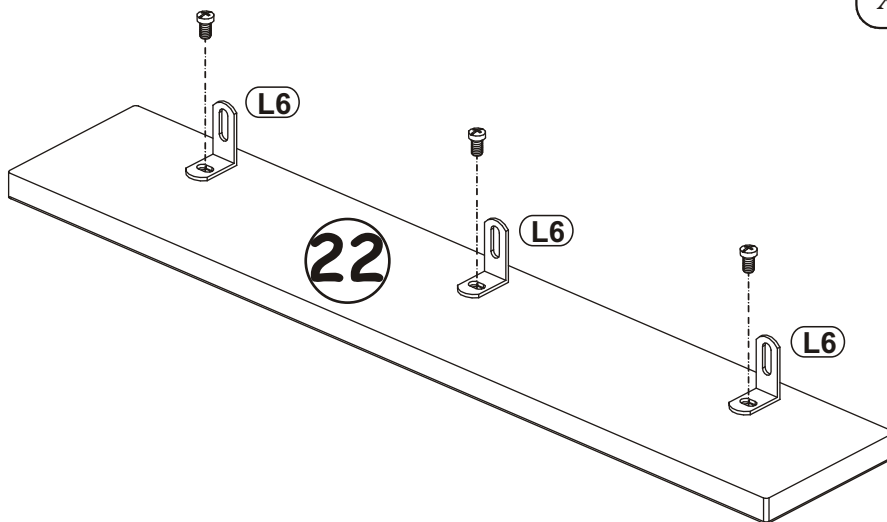


CROSS 28PEWCS WSW

5

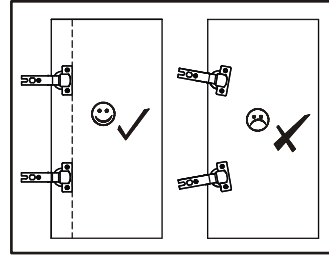
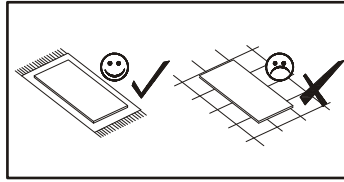


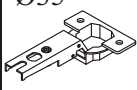
6

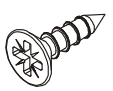


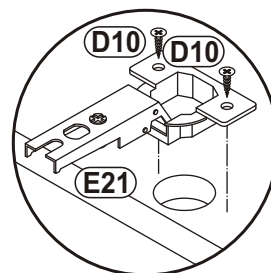
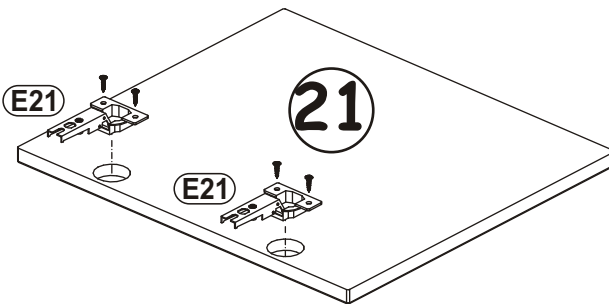
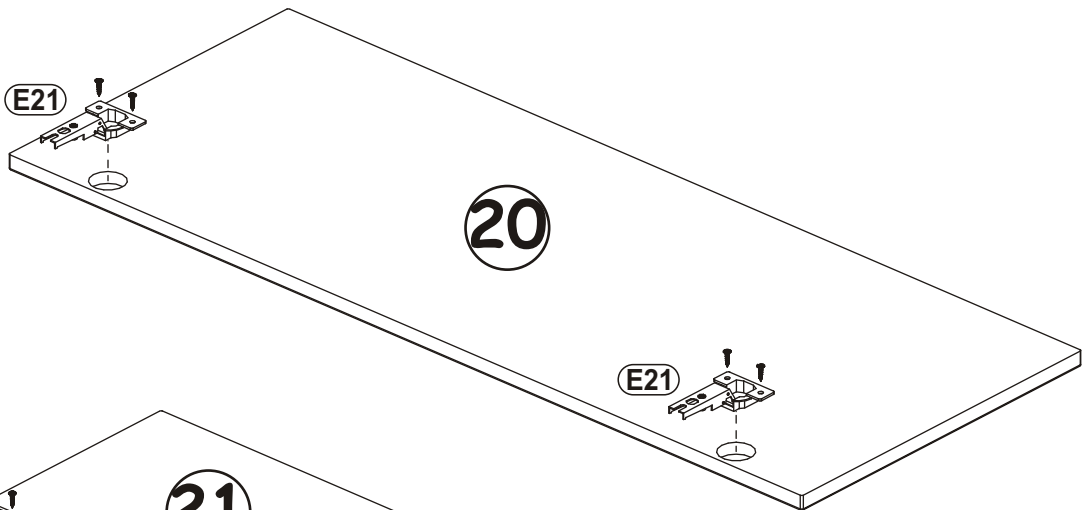
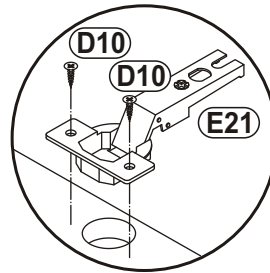
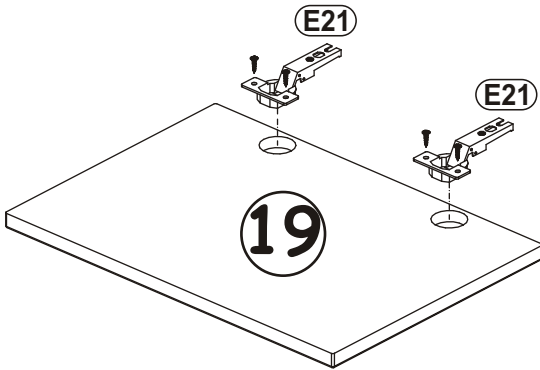
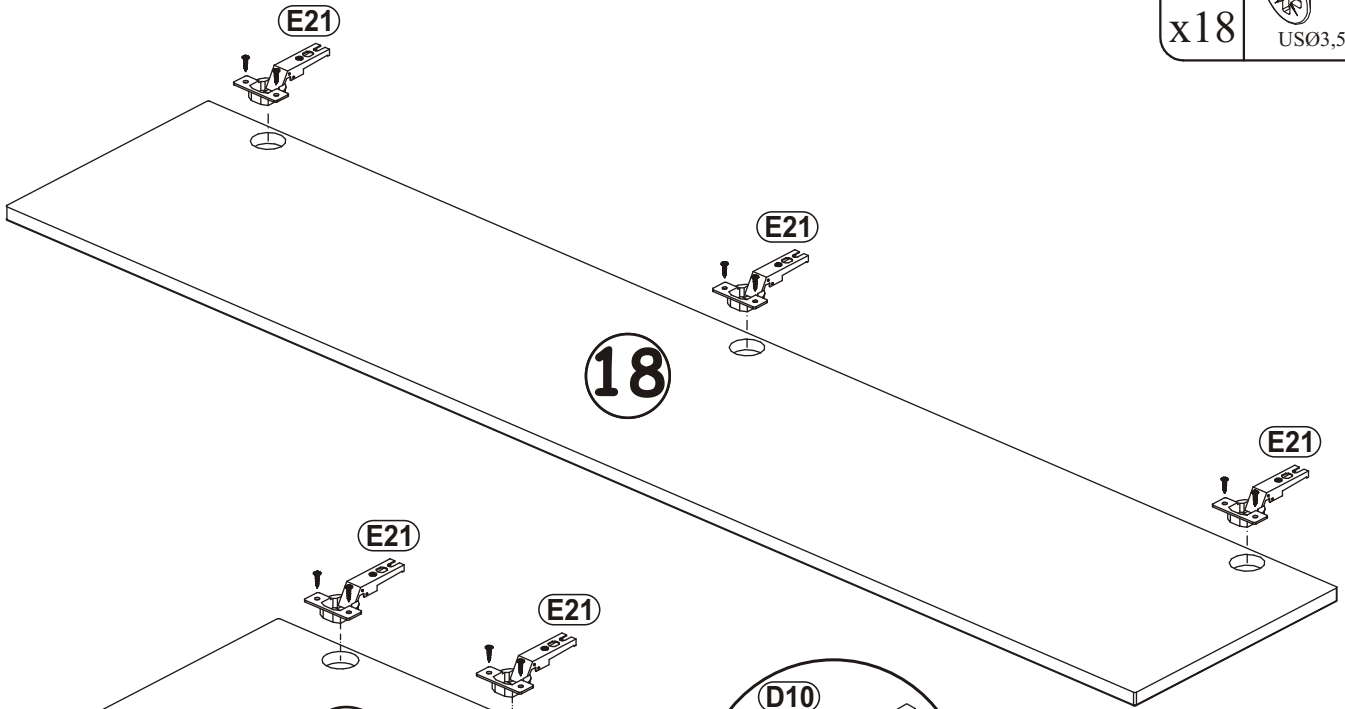
CROSS 28PEWCS WSW

7

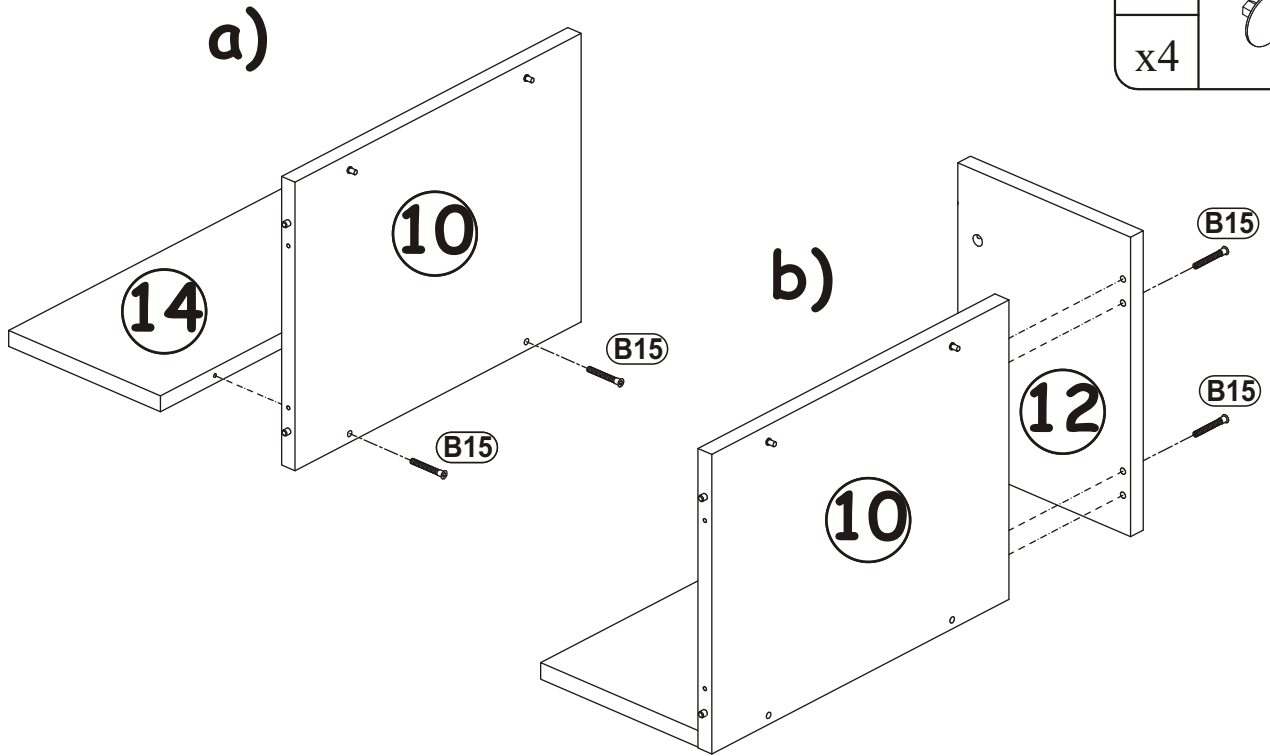
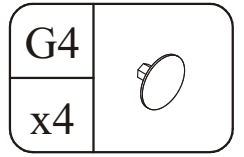
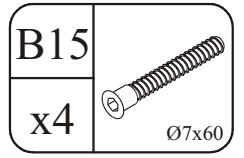
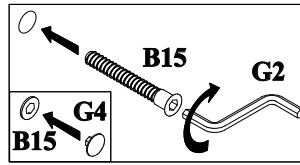


E21	Ø35
x9	
	H=0

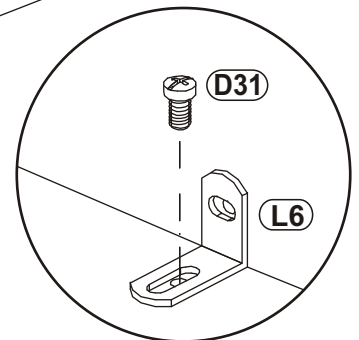
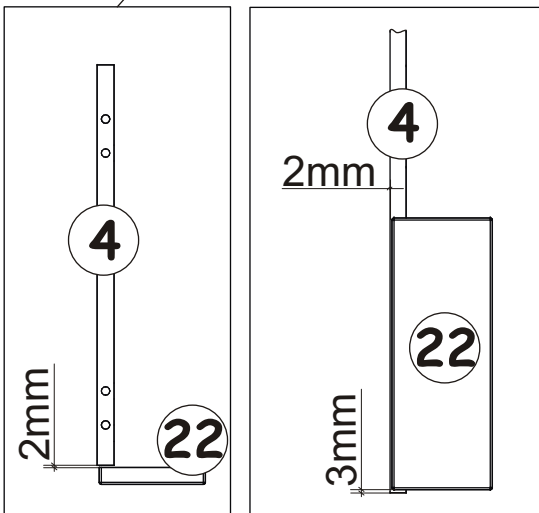
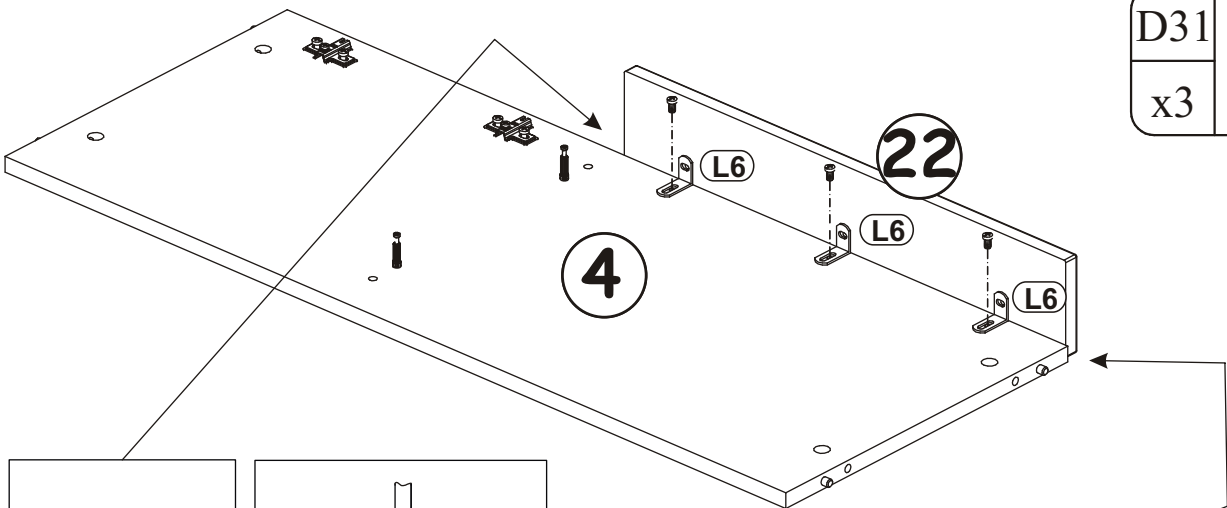
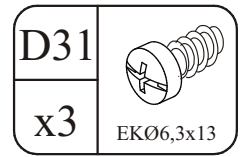
D10	
x18	USØ3,5x13





8



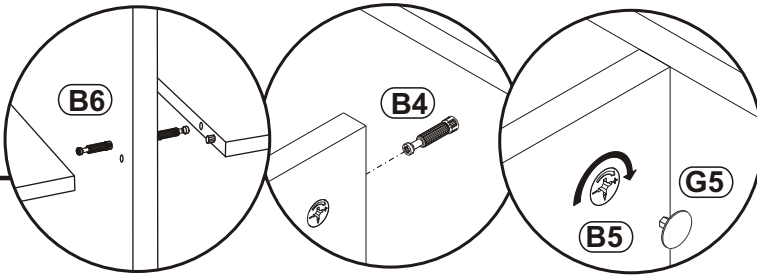
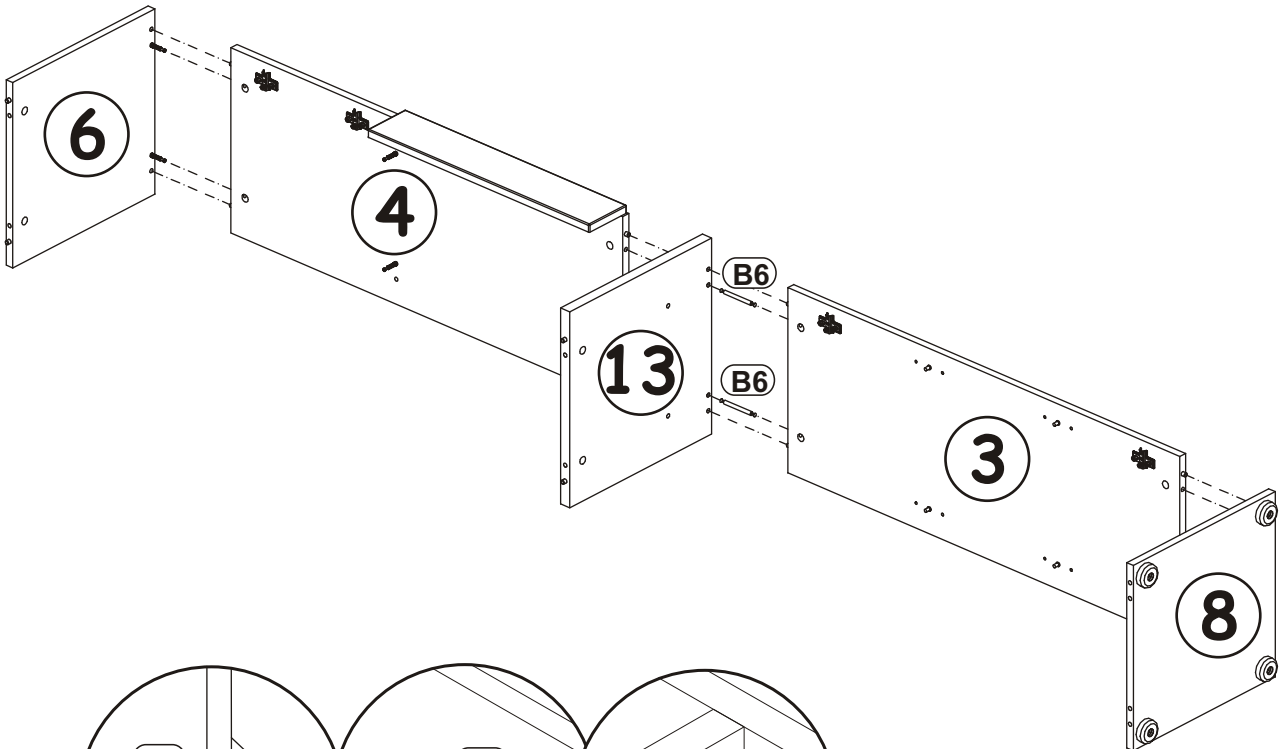
9




G5	
x8	


B6	
x2	Ø7x76

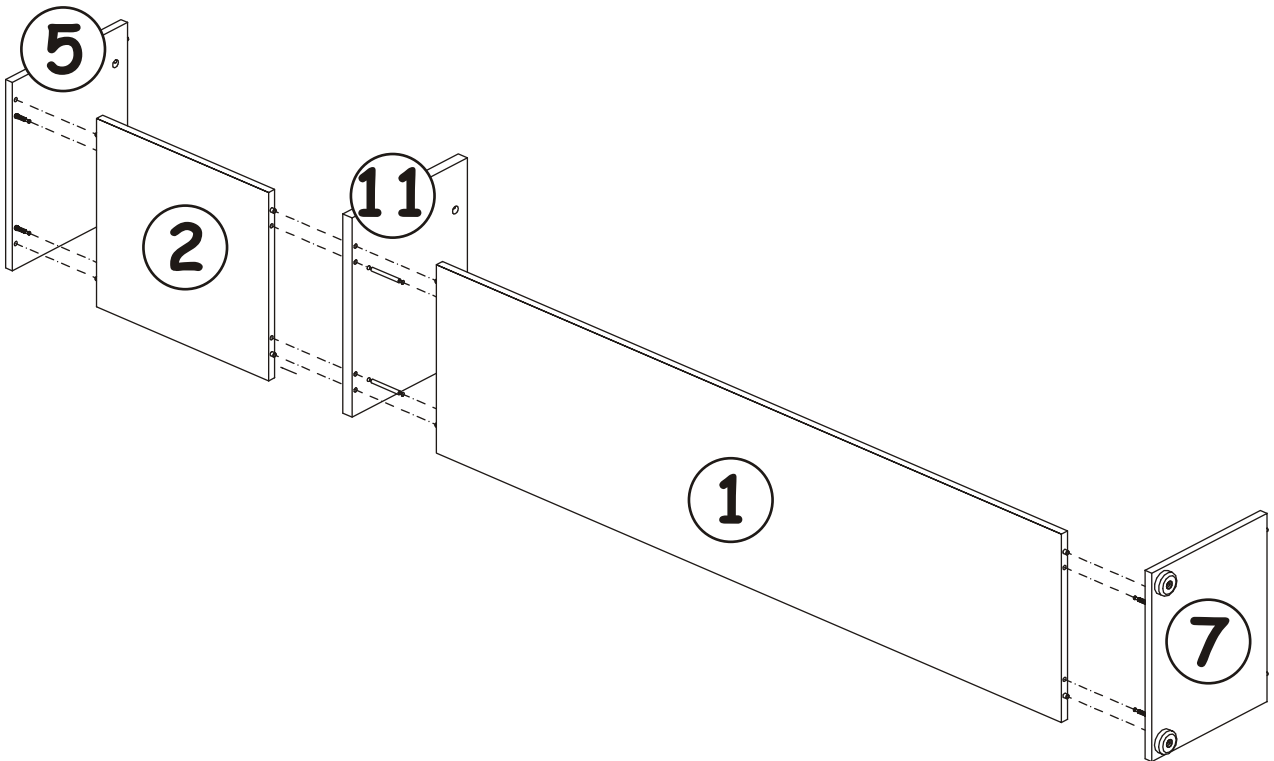
10



11

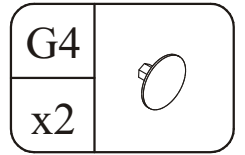
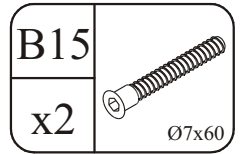
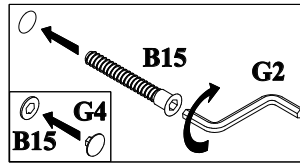
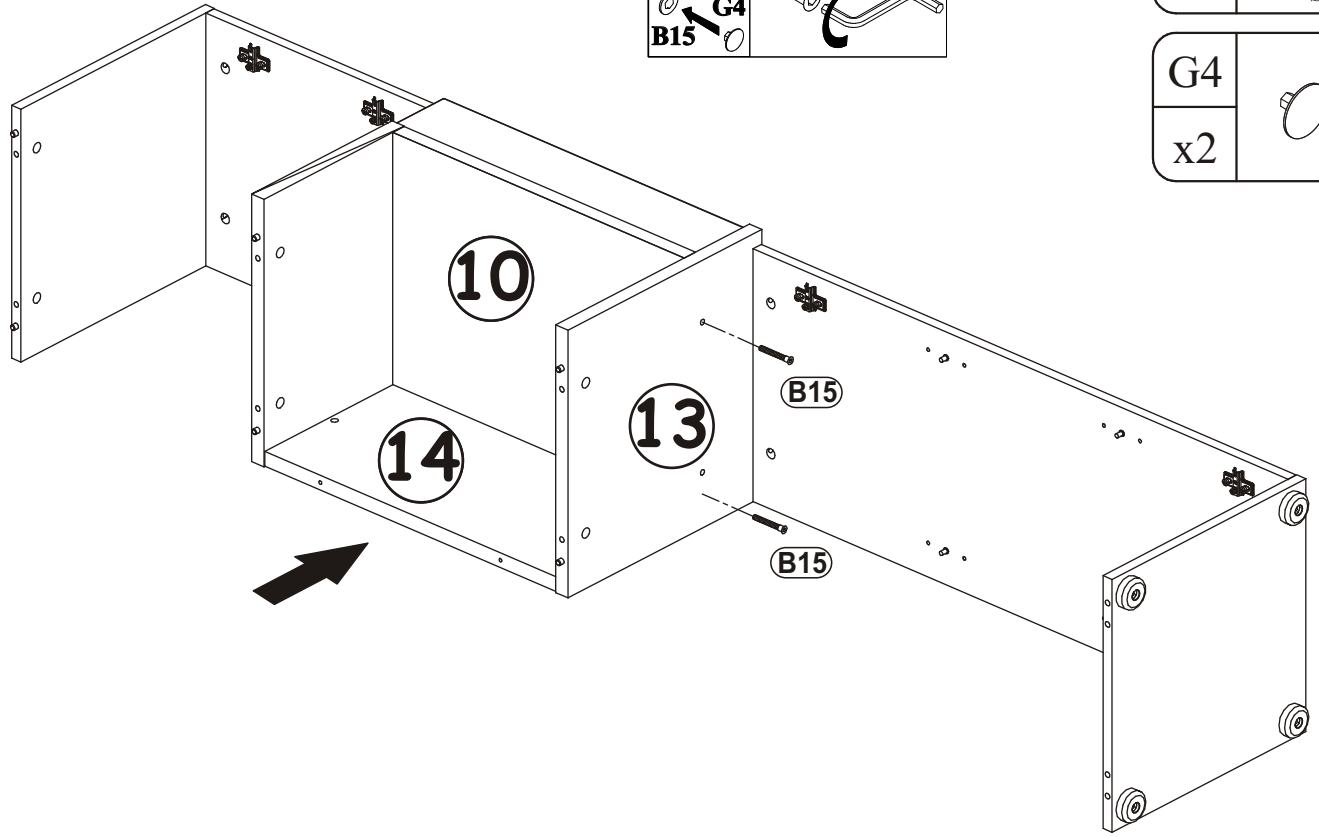
G5	
x8	

B6	
x2	Ø7x76

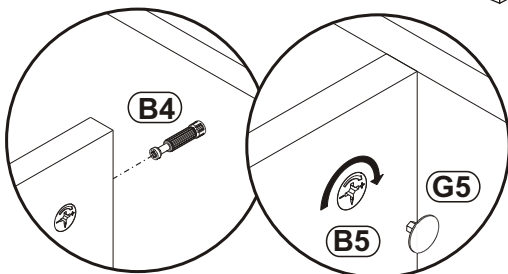
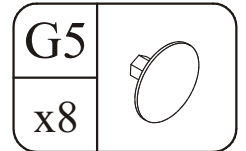
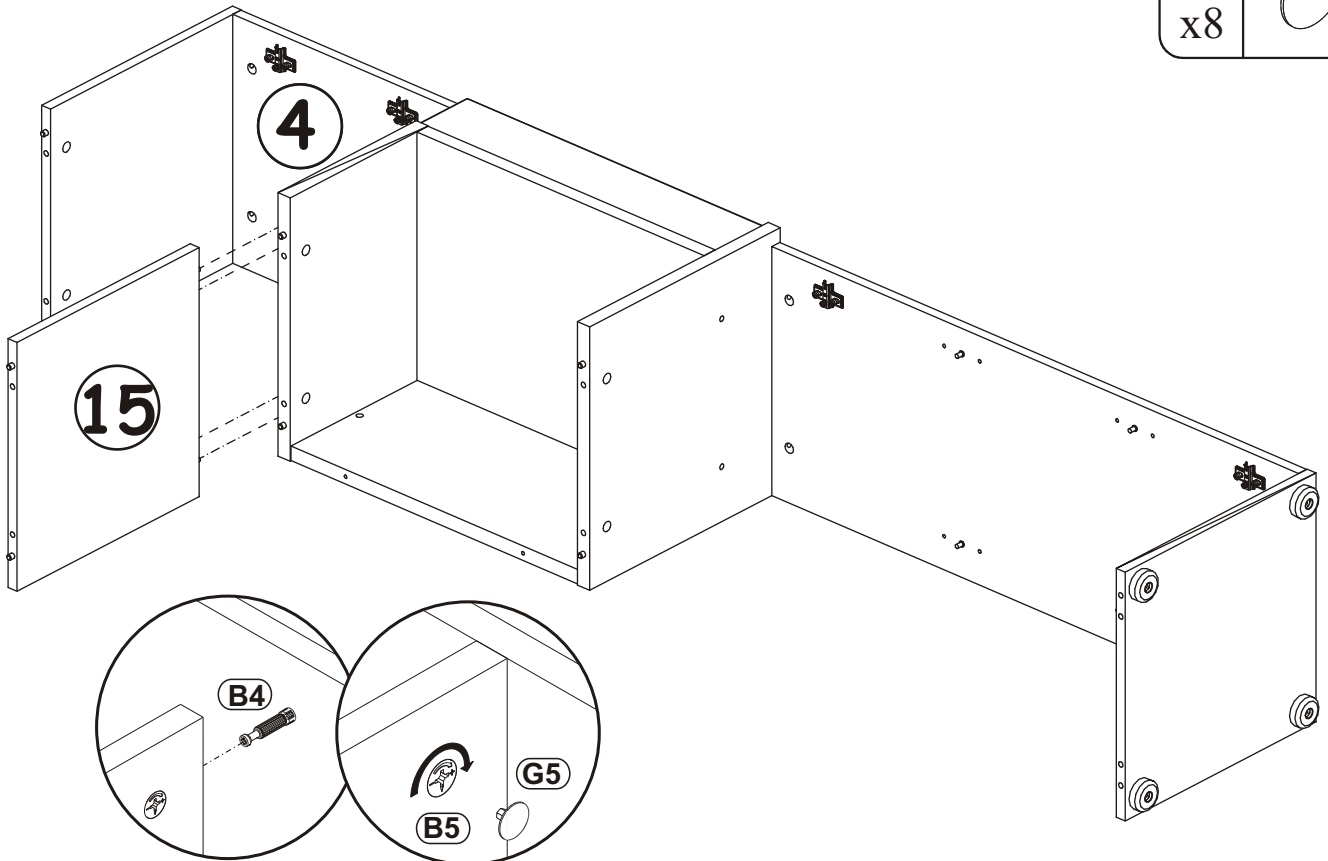


CROSS 28PEWCS WSW

12

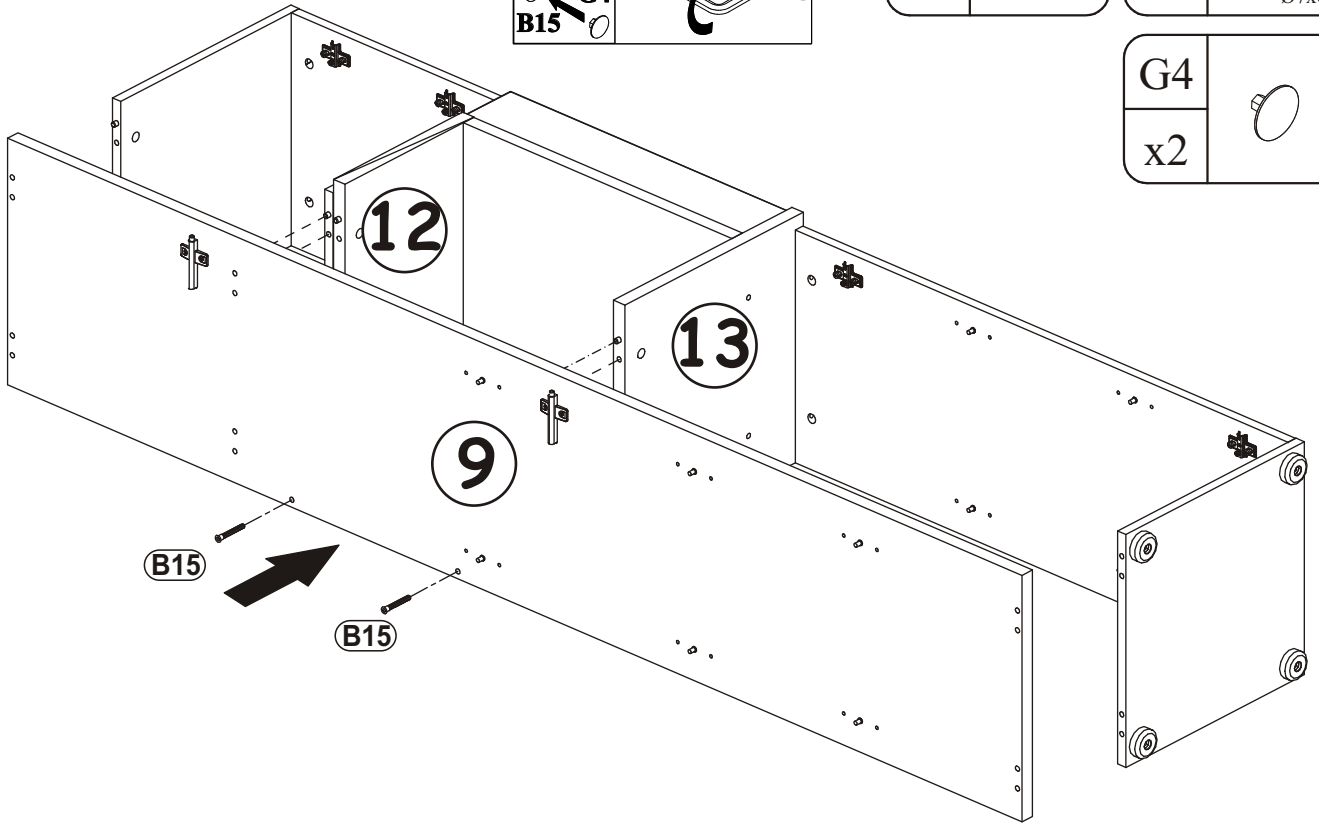
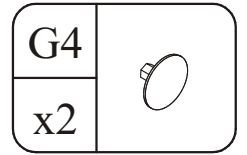
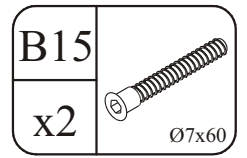
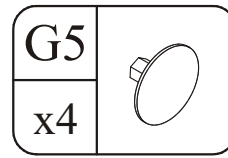
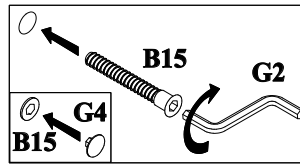


13

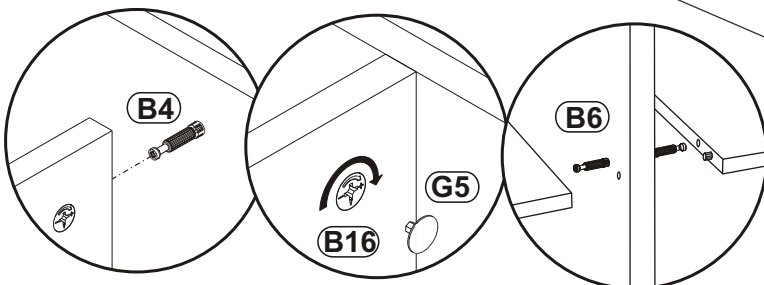
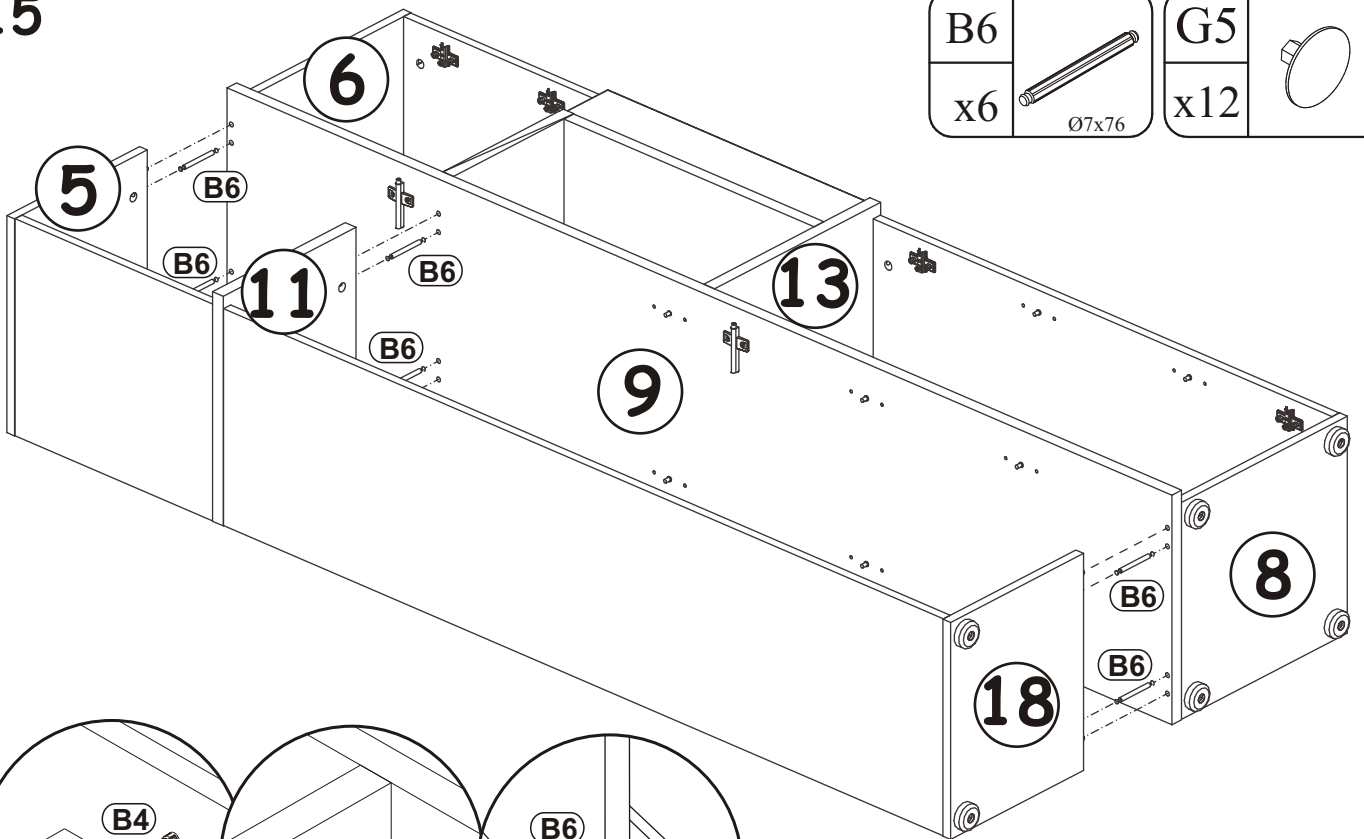
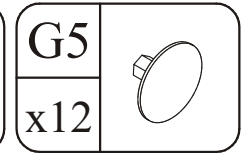
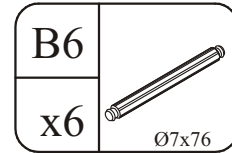


CROSS 28PEWCS WSW

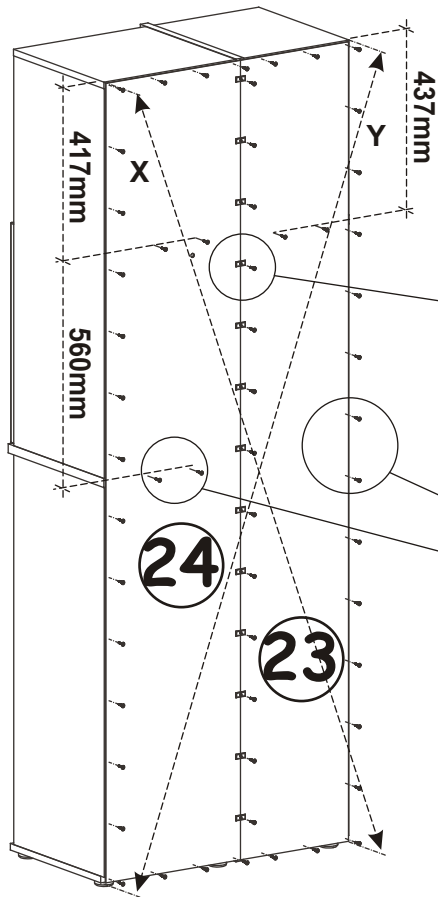
14


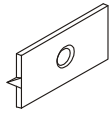


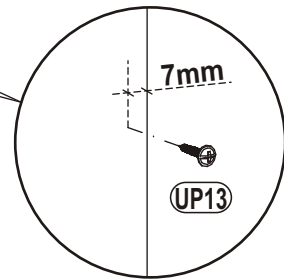
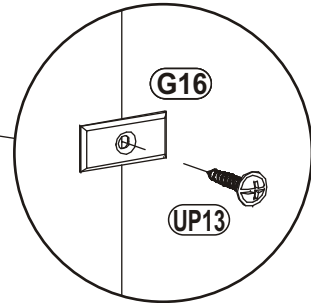
15



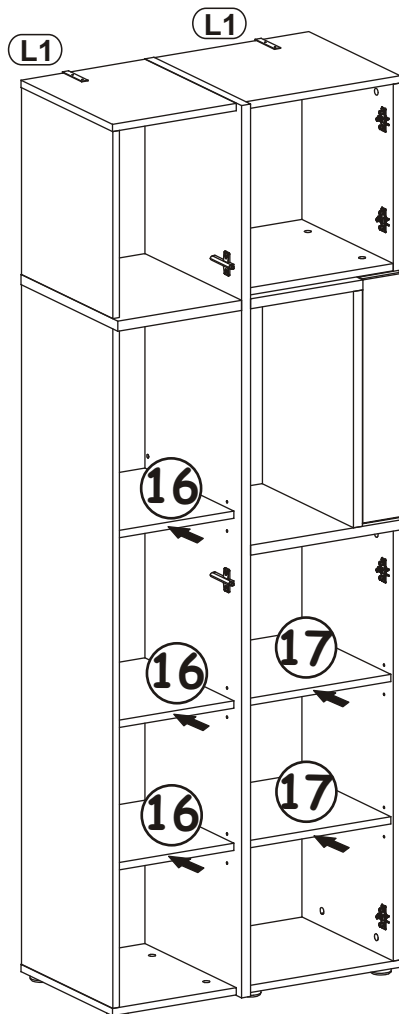
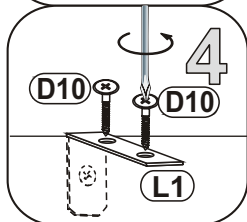
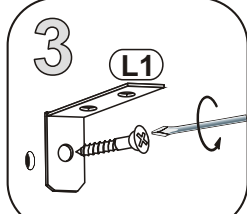
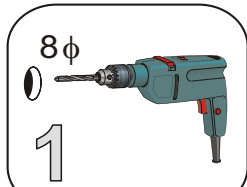
16

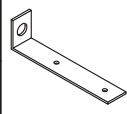
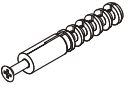


UP13		G16	
x54	UPØ3x16	x13	

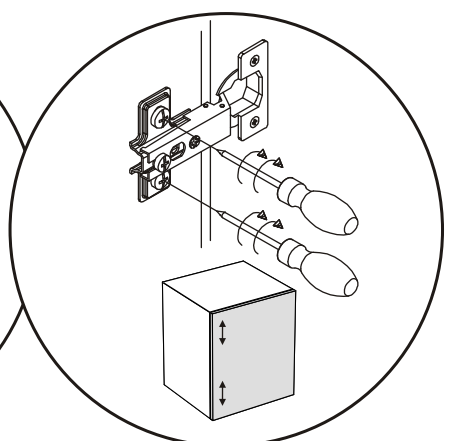
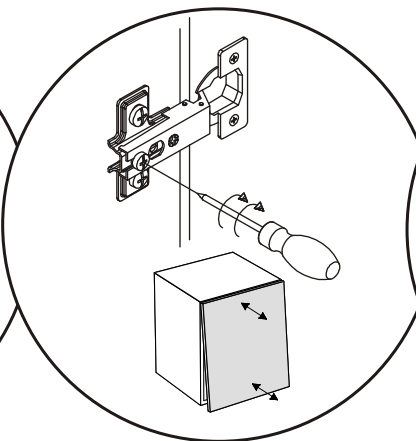
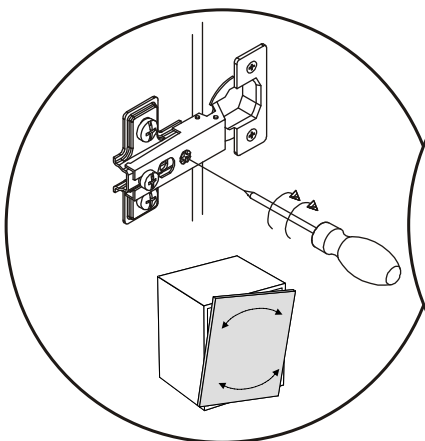
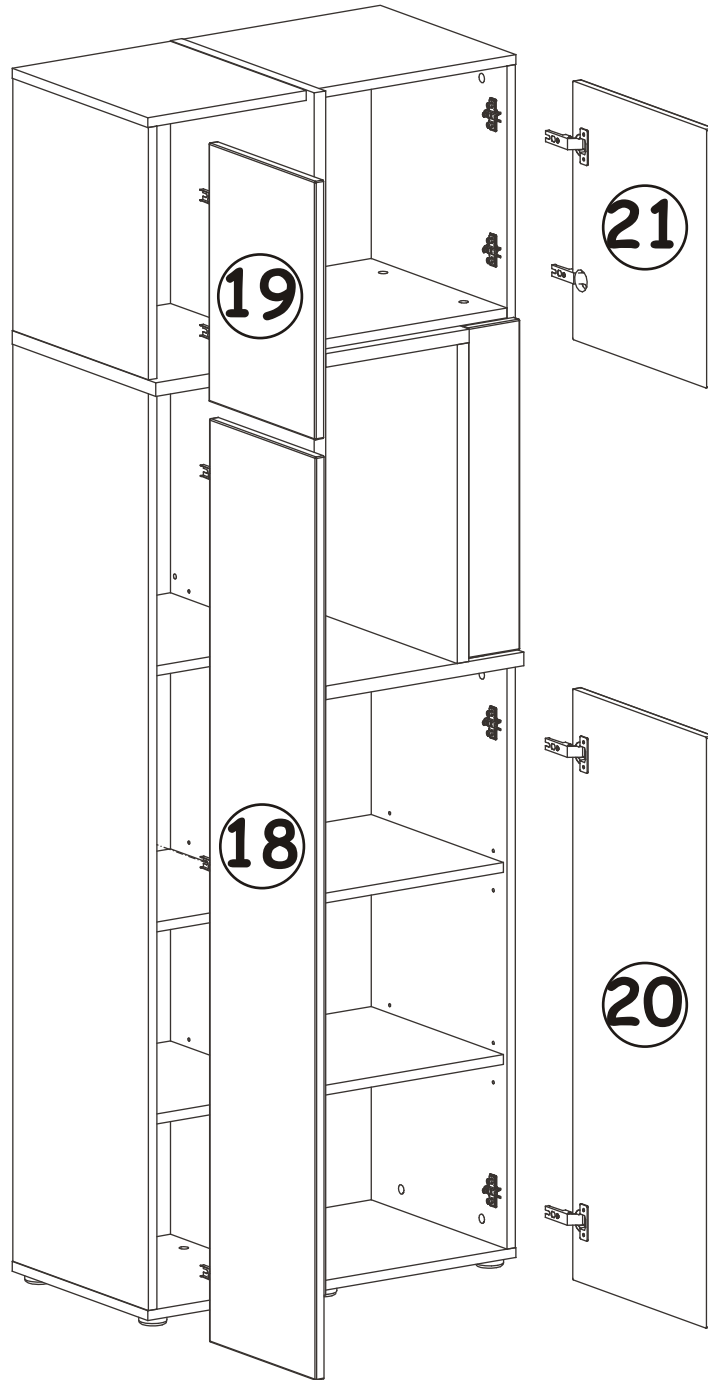


17



L1		KR1	
x2		x2	

18



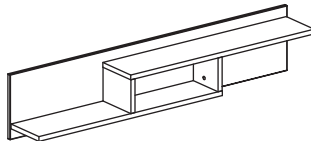


**OSM**

# 28 PEW CS PW CROSS

751/18

FARBE: PERLA ELM/WEISS/WEISS HOCHGLANZ



**1493x300x220**  
**1645x331x70**

COLLI 1/1  
GEW: 15 kg

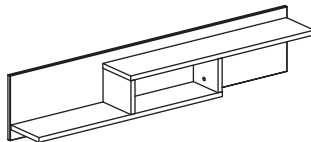


**OSM**

# 28 PEW CS PW CROSS

751/18

FARBE: PERLA ELM/WEISS/WEISS HOCHGLANZ



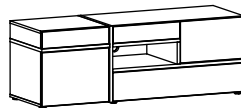
**1493x300x220**  
**1645x331x70**

COLLI 1/1  
GEW: 15 kg



**USM**

28 PEW CS RTV  
**CROSS**



COLLI 1/2

GEW: 34 kg

751/18

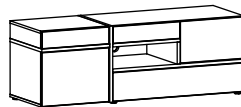
FARBE: PERLA ELM/WEISS/WEISS HOCHGLANZ

**1500x515x495**  
**1181x540x114**



**USM**

28 PEW CS RTV  
**CROSS**



COLLI 1/2

GEW: 34 kg

751/18

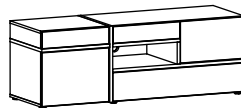
FARBE: PERLA ELM/WEISS/WEISS HOCHGLANZ

**1500x515x495**  
**1181x540x114**



**USM**

28 PEW CS RTV  
**CROSS**



COLLI **2/2**

GEW: **24 kg**

751/18

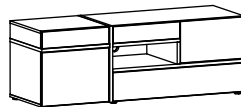
FARBE: PERLA ELM/WEISS/WEISS HOCHGLANZ

**1500x515x495**  
**1083x507x93**



**USM**

28 PEW CS RTV  
**CROSS**



COLLI **2/2**

GEW: **24 kg**

751/18

FARBE: PERLA ELM/WEISS/WEISS HOCHGLANZ

**1500x515x495**  
**1083x507x93**

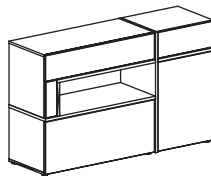


**USM**

28 PEW CS SB  
**CROSS**

751/18

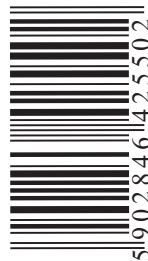
FARBE: PERLA ELM/WEISS/WEISS HOCHGLANZ



**1500x430x430**  
**1178x457x106**

COLLI **1/3**

GEW: **29 kg**

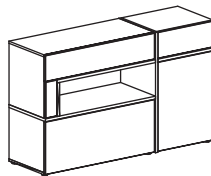


**USM**

28 PEW CS SB  
**CROSS**

751/18

FARBE: PERLA ELM/WEISS/WEISS HOCHGLANZ



**1500x430x430**  
**1178x457x106**

COLLI **1/3**

GEW: **29 kg**

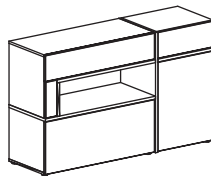


**USM**

28 PEW CS SB  
**CROSS**

751/18

FARBE: PERLA ELM/WEISS/WEISS HOCHGLANZ



**1500x430x430**  
**1083x480x120**

COLLI **2/3**  
GEW: **27 kg**

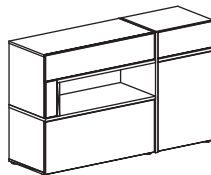


**USM**

28 PEW CS SB  
**CROSS**

751/18

FARBE: PERLA ELM/WEISS/WEISS HOCHGLANZ



**1500x430x430**  
**1083x480x120**

COLLI **2/3**  
GEW: **27 kg**

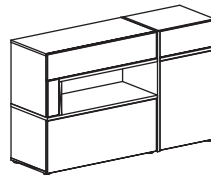


**USM**

28 PEW CS SB  
**CROSS**

751/18

FARBE: PERLA ELM/WEISS/WEISS HOCHGLANZ



**1500x430x430**  
**1090x541x85**

COLLI **3/3**  
GEW: **22 kg**

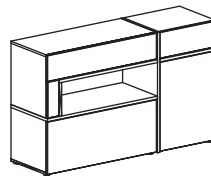


**USM**

28 PEW CS SB  
**CROSS**

751/18

FARBE: PERLA ELM/WEISS/WEISS HOCHGLANZ



**1500x430x430**  
**1090x541x85**

COLLI **3/3**  
GEW: **22 kg**

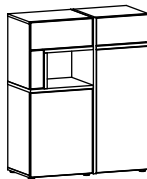


**WSN**

28 PEW CS WSN  
**CROSS**

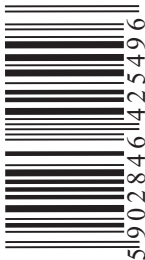
751/18

FARBE: PERLA ELM/WEISS/WEISS HOCHGLANZ



**900x1100x395**  
**1281x516x114**

COLLI **1/2**  
GEW: **34 kg**

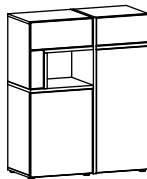


**WSN**

28 PEW CS WSN  
**CROSS**

751/18

FARBE: PERLA ELM/WEISS/WEISS HOCHGLANZ



**900x1100x395**  
**1281x516x114**

COLLI **1/2**  
GEW: **34 kg**

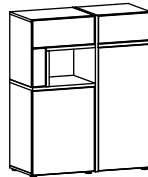


**WSN**

28 PEW CS WSN  
**CROSS**

751/18

FARBE: PERLA ELM/WEISS/WEISS HOCHGLANZ



**900x1100x395**  
**985x407x125**

COLLI **2/2**

GEW: **23 kg**

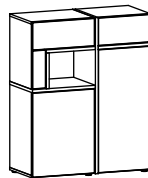


**WSN**

28 PEW CS WSN  
**CROSS**

751/18

FARBE: PERLA ELM/WEISS/WEISS HOCHGLANZ



**900x1100x395**  
**985x407x125**

COLLI **2/2**

GEW: **23 kg**



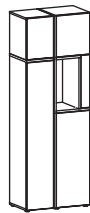


**OSM**

28 PEW CS WSW  
**CROSS**

751/18

FARBE: PERLA ELM/WEISS/WEISS HOCHGLANZ



**700x1955x395**  
**845x435x178**

COLLI 1/3

GEW: 26 kg



**OSM**

28 PEW CS WSW  
**CROSS**

751/18

FARBE: PERLA ELM/WEISS/WEISS HOCHGLANZ



**700x1955x395**  
**845x435x178**

COLLI 1/3

GEW: 26 kg

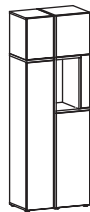


**OSM**

28 PEW CS WSW  
**CROSS**

751/18

FARBE: PERLA ELM/WEISS/WEISS HOCHGLANZ



**700x1955x395**  
**2053x421x48**

COLLI **2/3**

GEW: **19 kg**

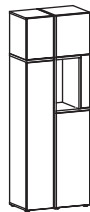


**OSM**

28 PEW CS WSW  
**CROSS**

751/18

FARBE: PERLA ELM/WEISS/WEISS HOCHGLANZ



**700x1955x395**  
**2053x421x48**

COLLI **2/3**

GEW: **19 kg**

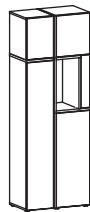


**OSM**

28 PEW CS WSW  
**CROSS**

751/18

FARBE: PERLA ELM/WEISS/WEISS HOCHGLANZ



**700x1955x395**  
**2061x435x65**

COLLI **3/3**  
GEW: **19 kg**

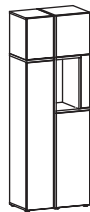


**OSM**

28 PEW CS WSW  
**CROSS**

751/18

FARBE: PERLA ELM/WEISS/WEISS HOCHGLANZ



**700x1955x395**  
**2061x435x65**

COLLI **3/3**  
GEW: **19 kg**

