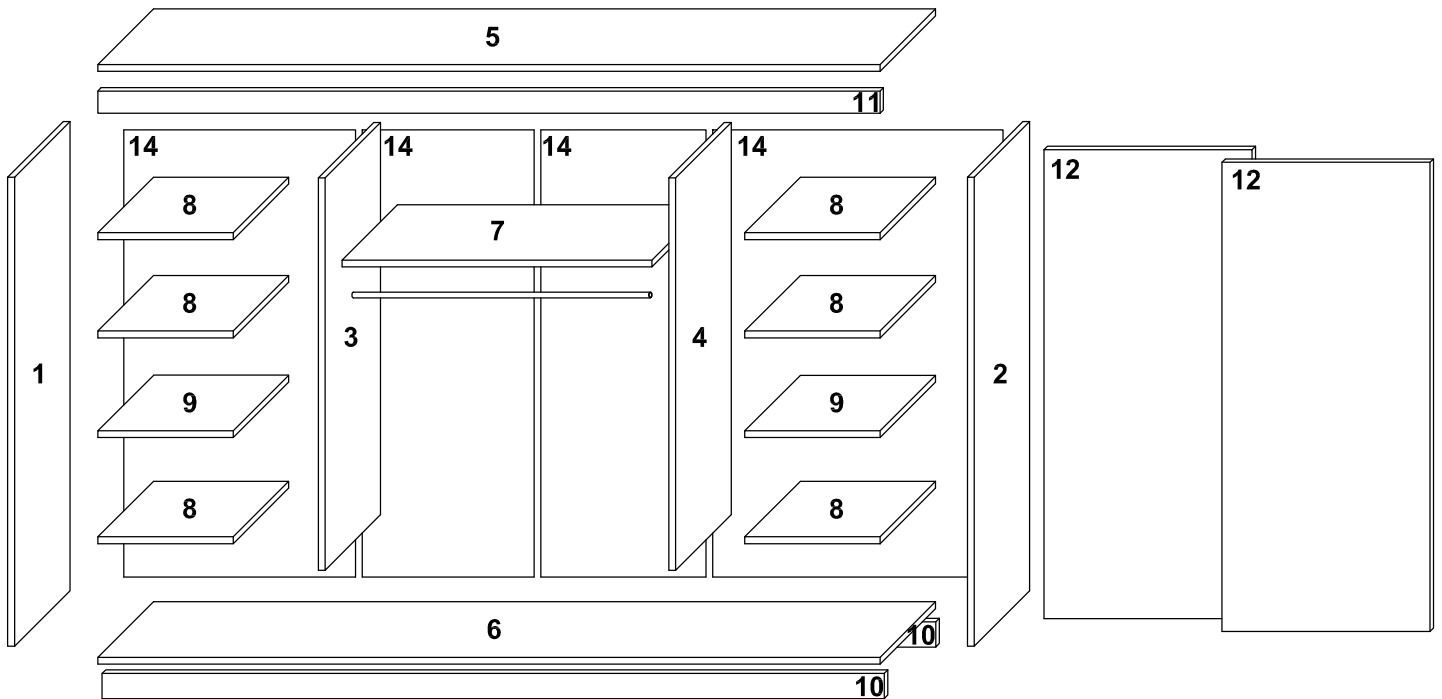
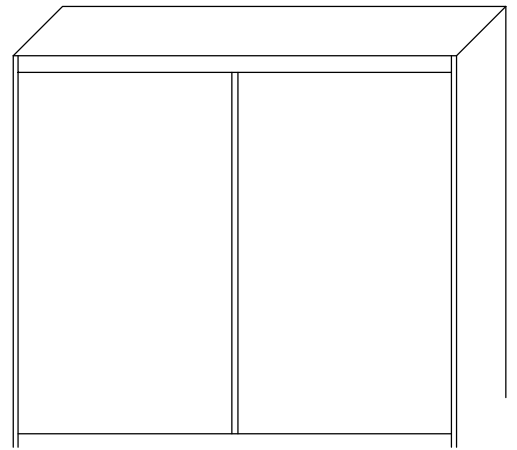
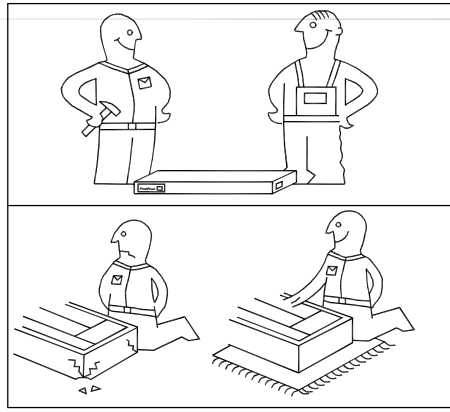
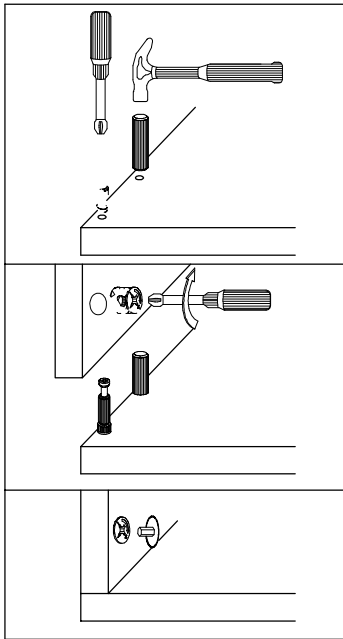


SZAFKA 20



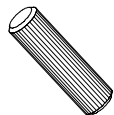
33 | A



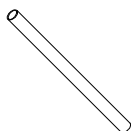
2 kpl | N



2 | G



38 | D

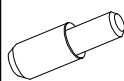


1 | I

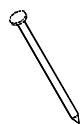
W4x30



4 | K



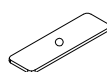
24 | E



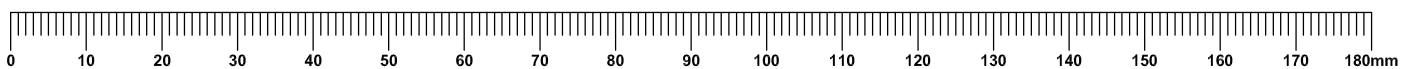
1 | L



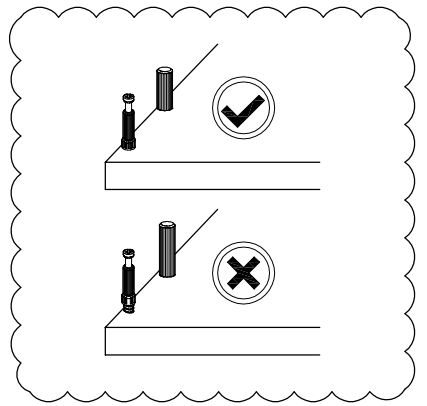
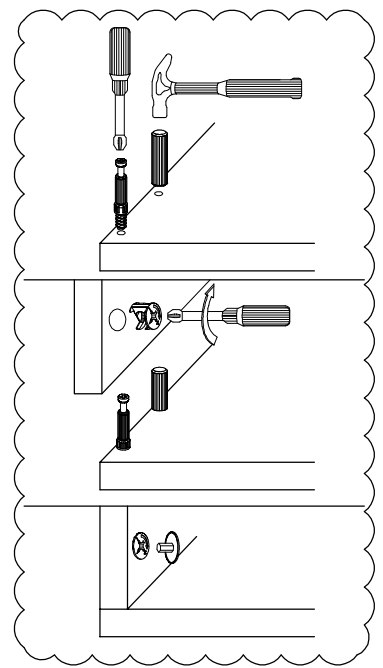
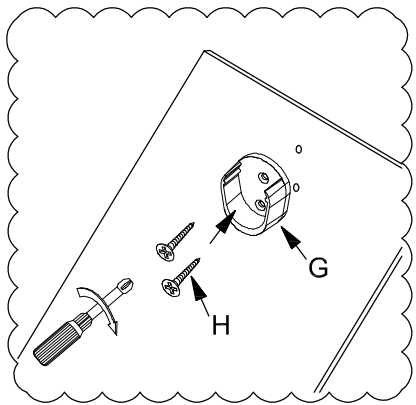
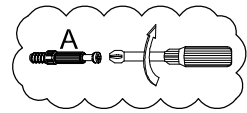
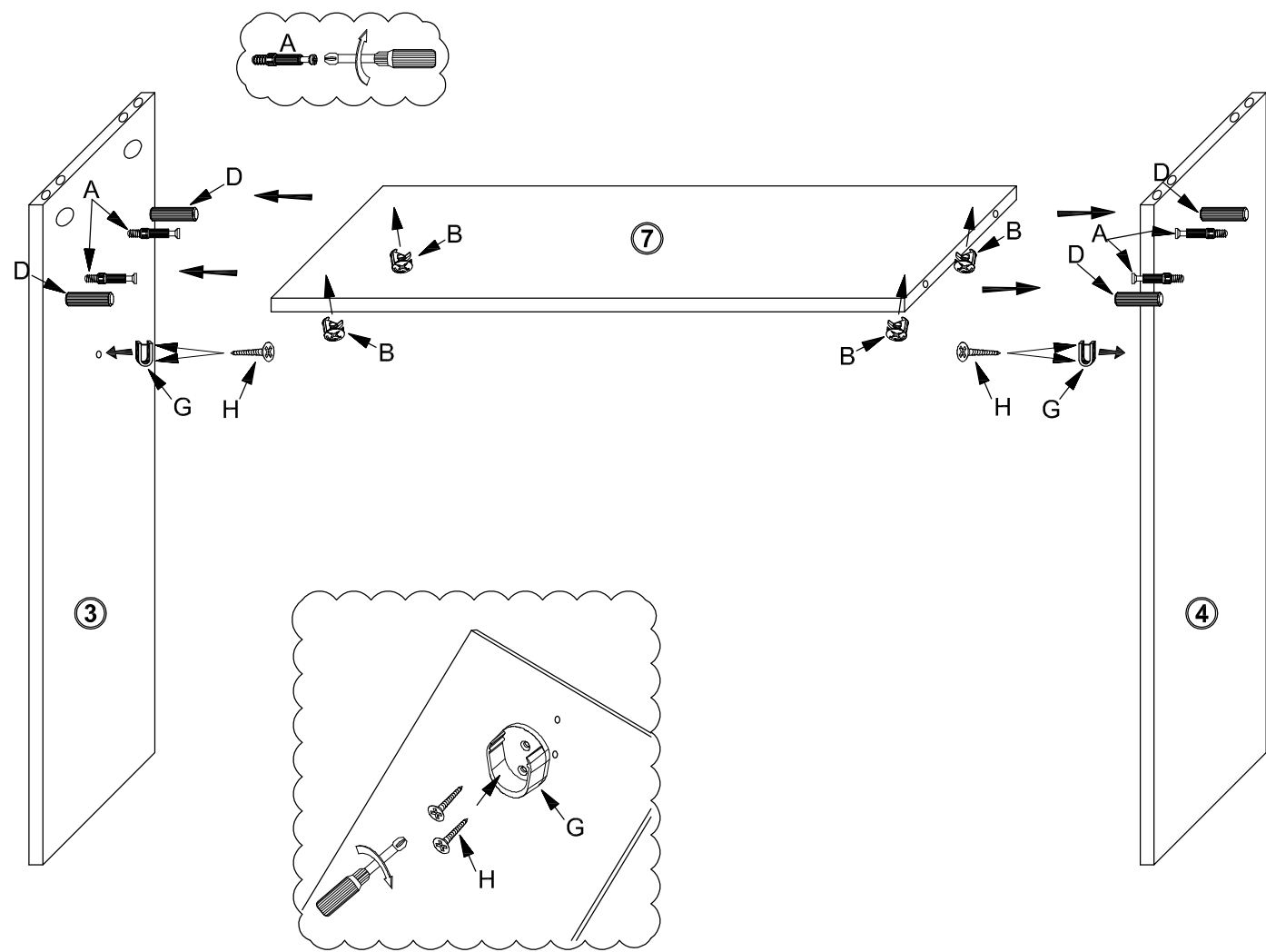
14 | F









1 | M



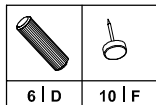
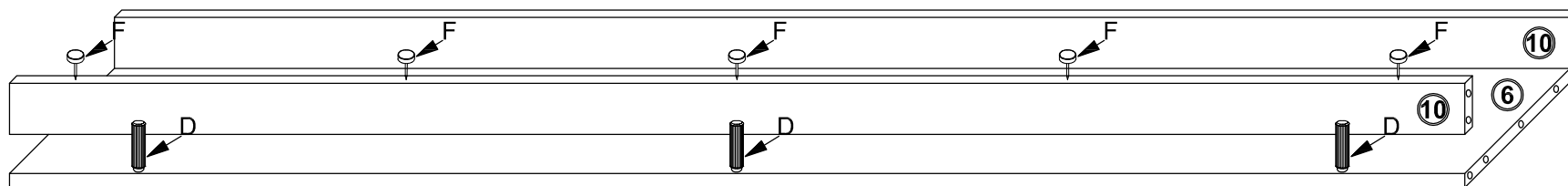
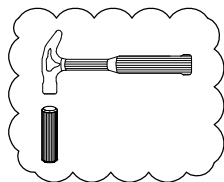
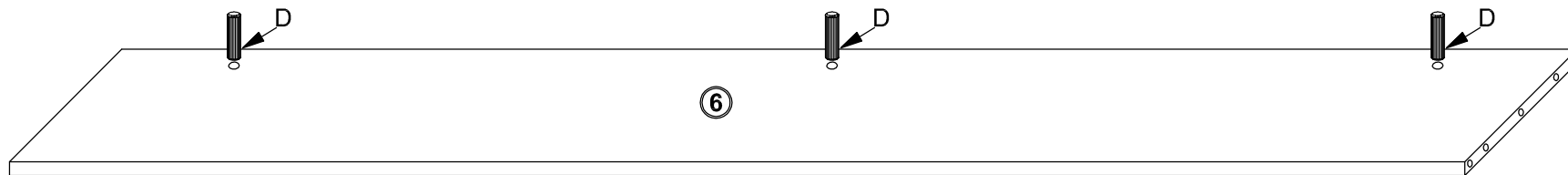
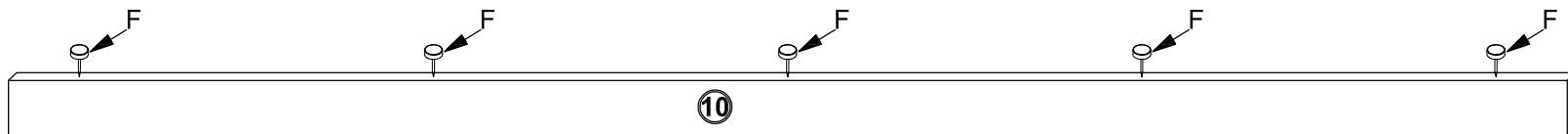
1







					
4 A	4 B	4 C	4 D	2 G	4 H

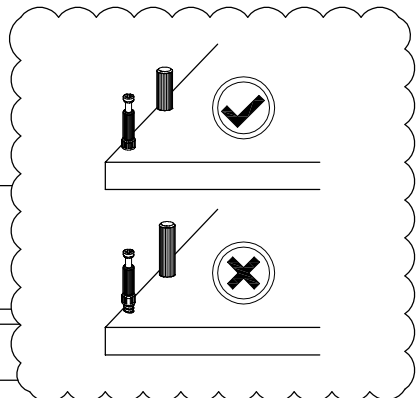
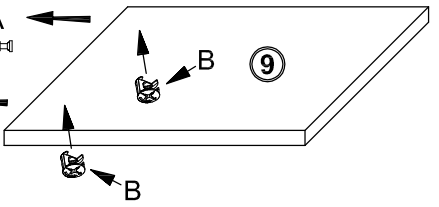
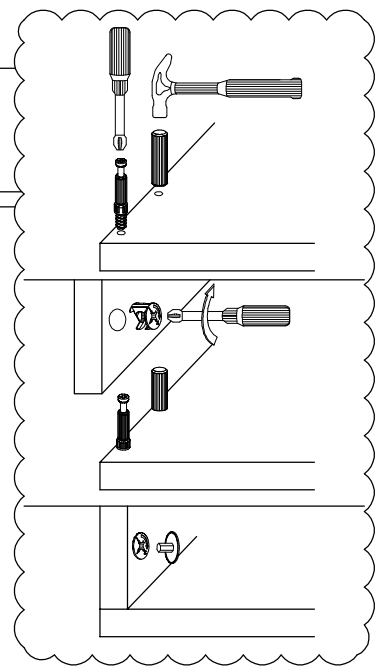
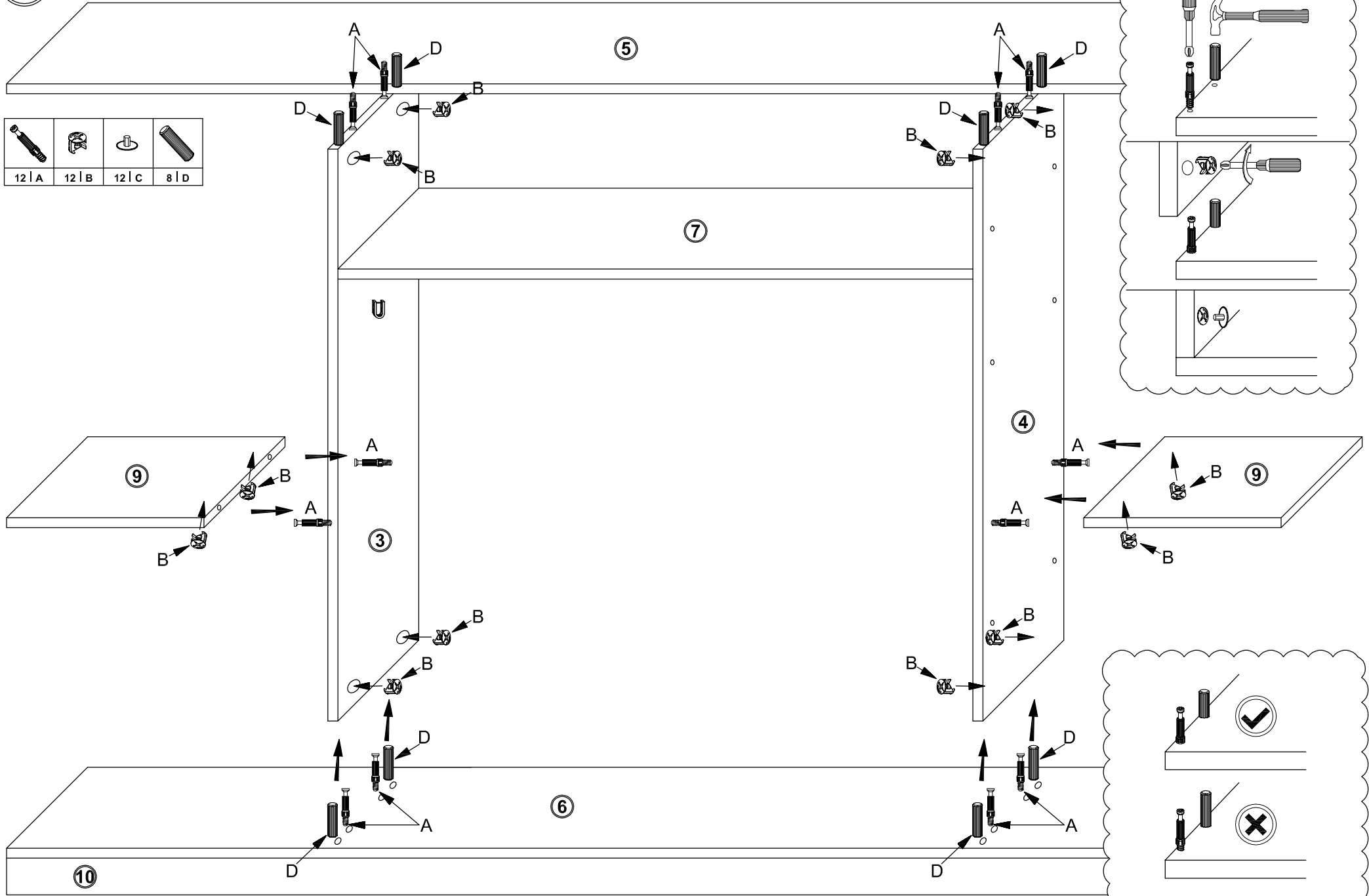
W3,5x13

2

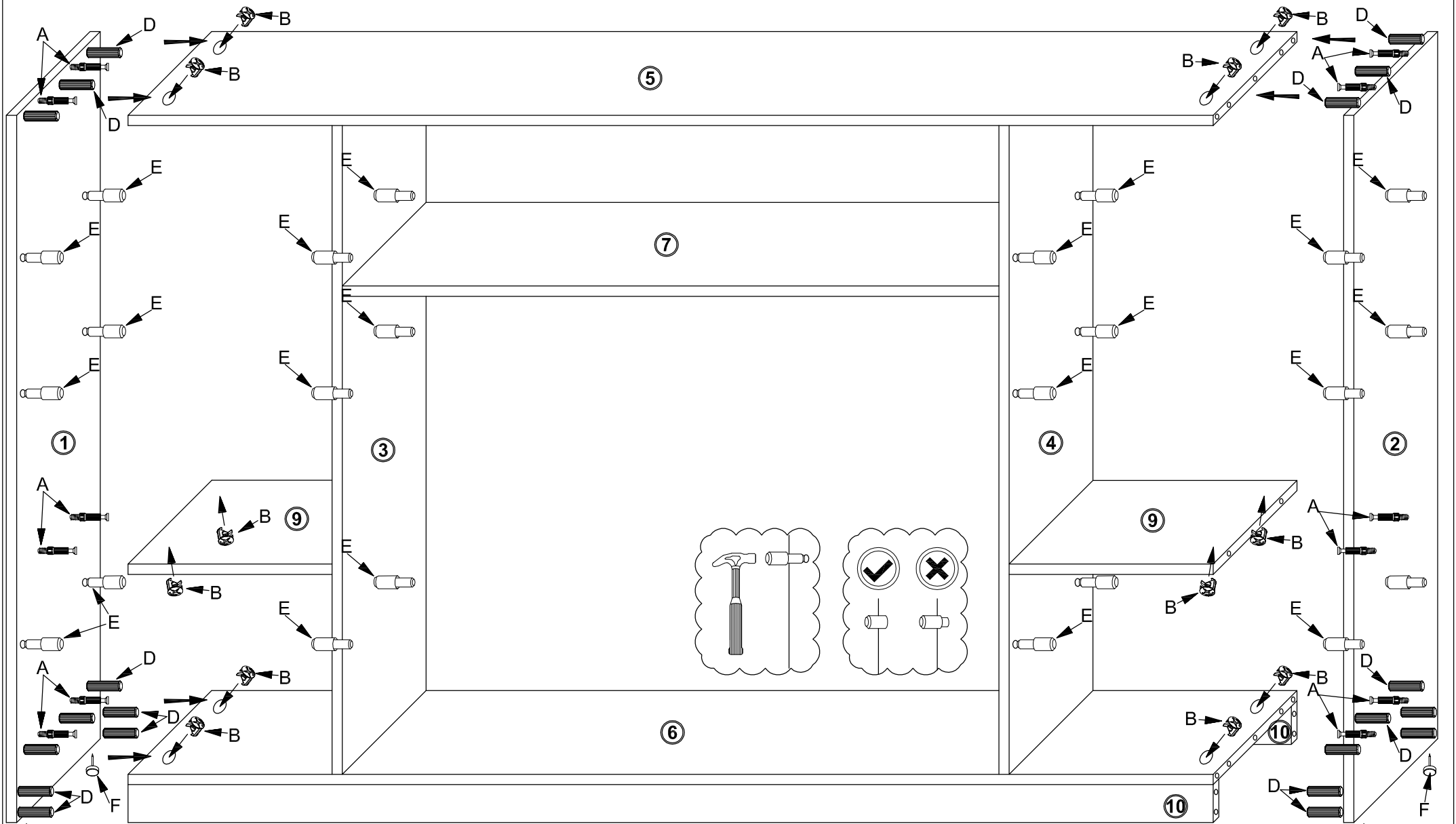


3

			
12 A	12 B	12 C	8 D

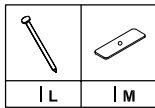
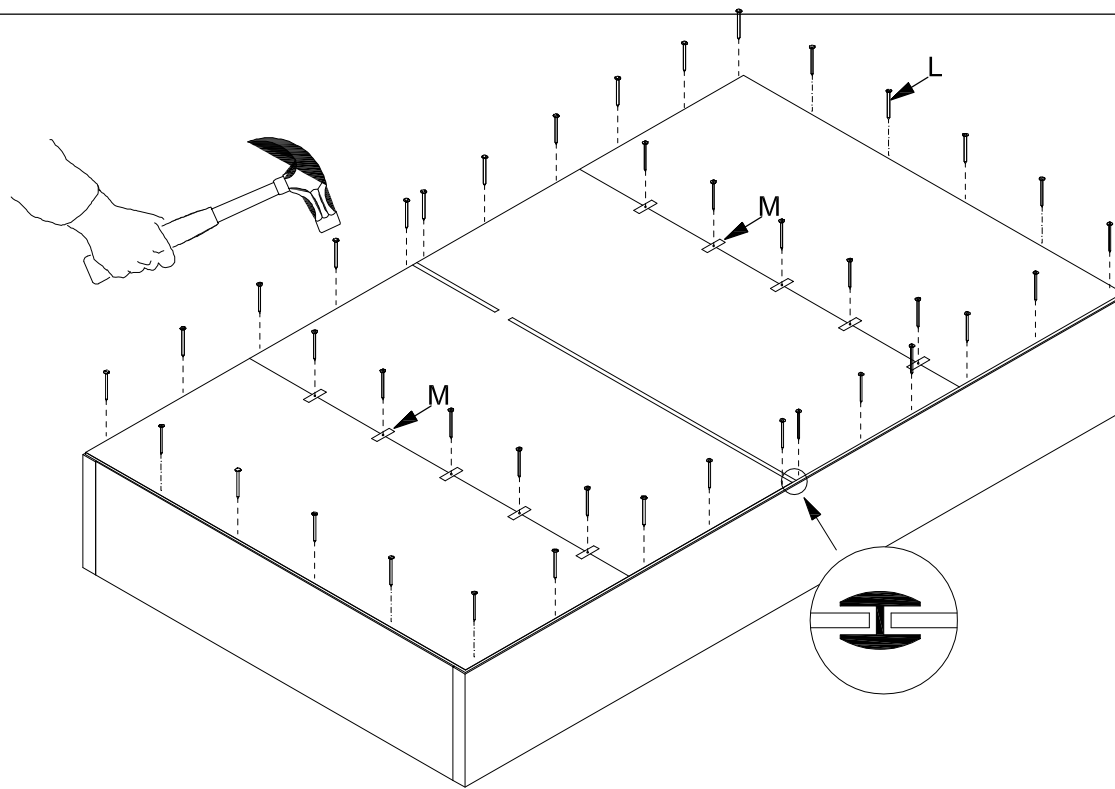


4

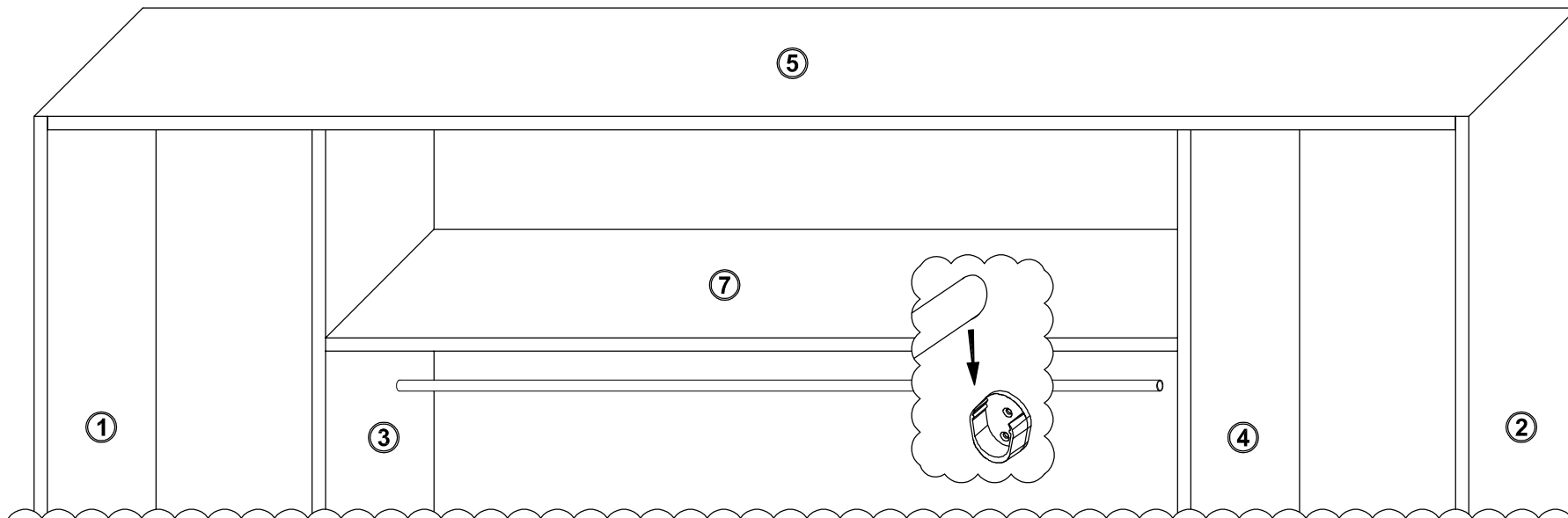


12 A	12 B	12 C	20 D	24 E	4 F

5



6

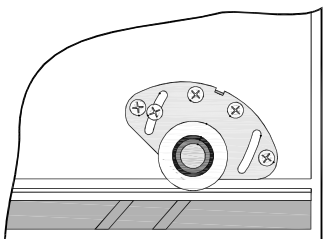
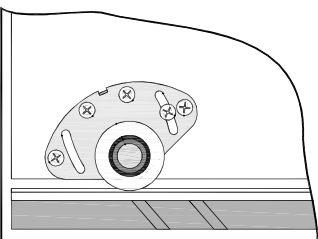
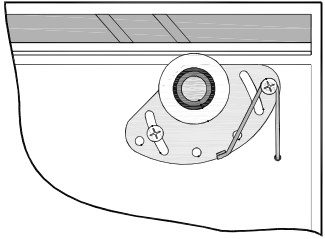
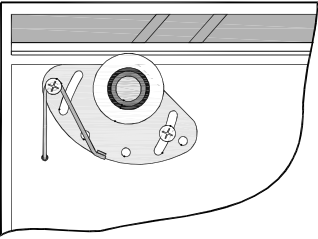
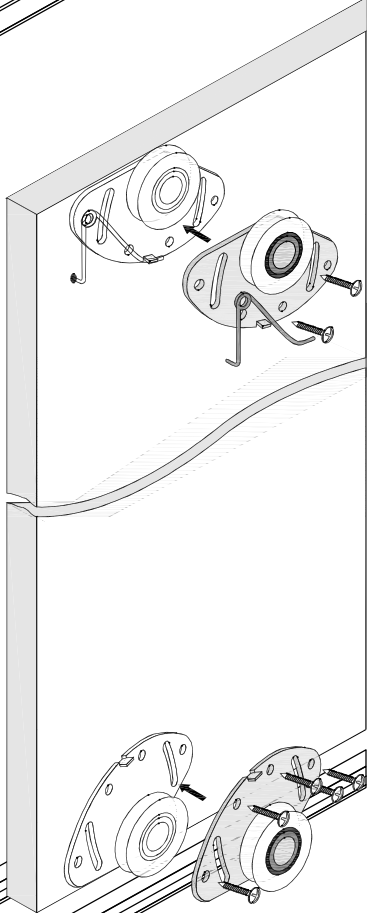
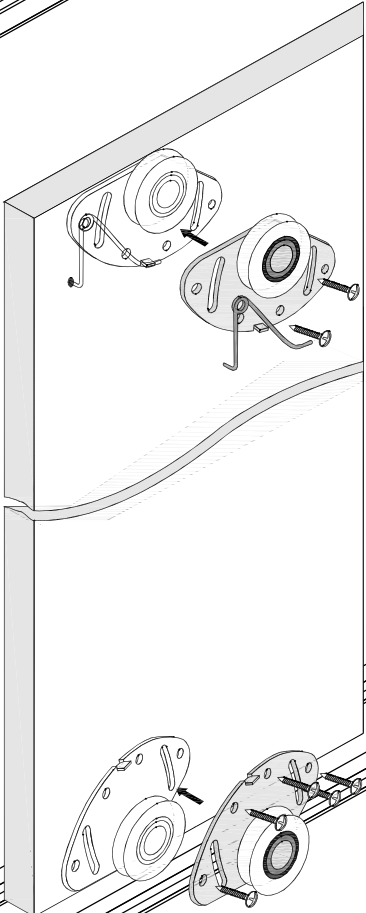
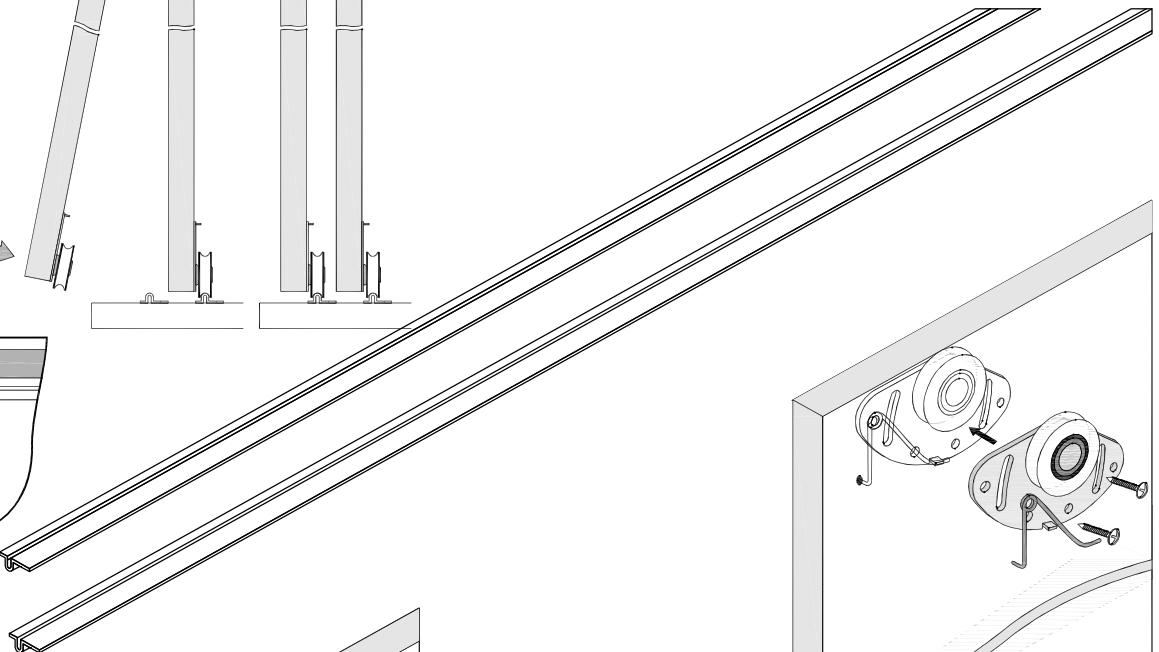
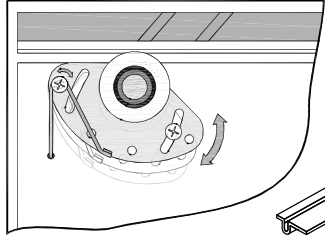
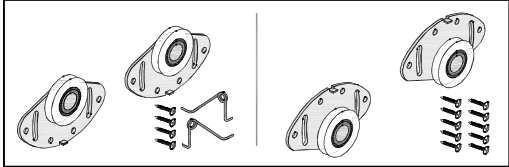


7

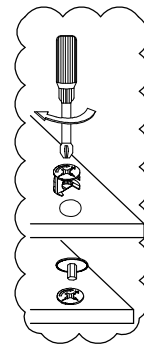
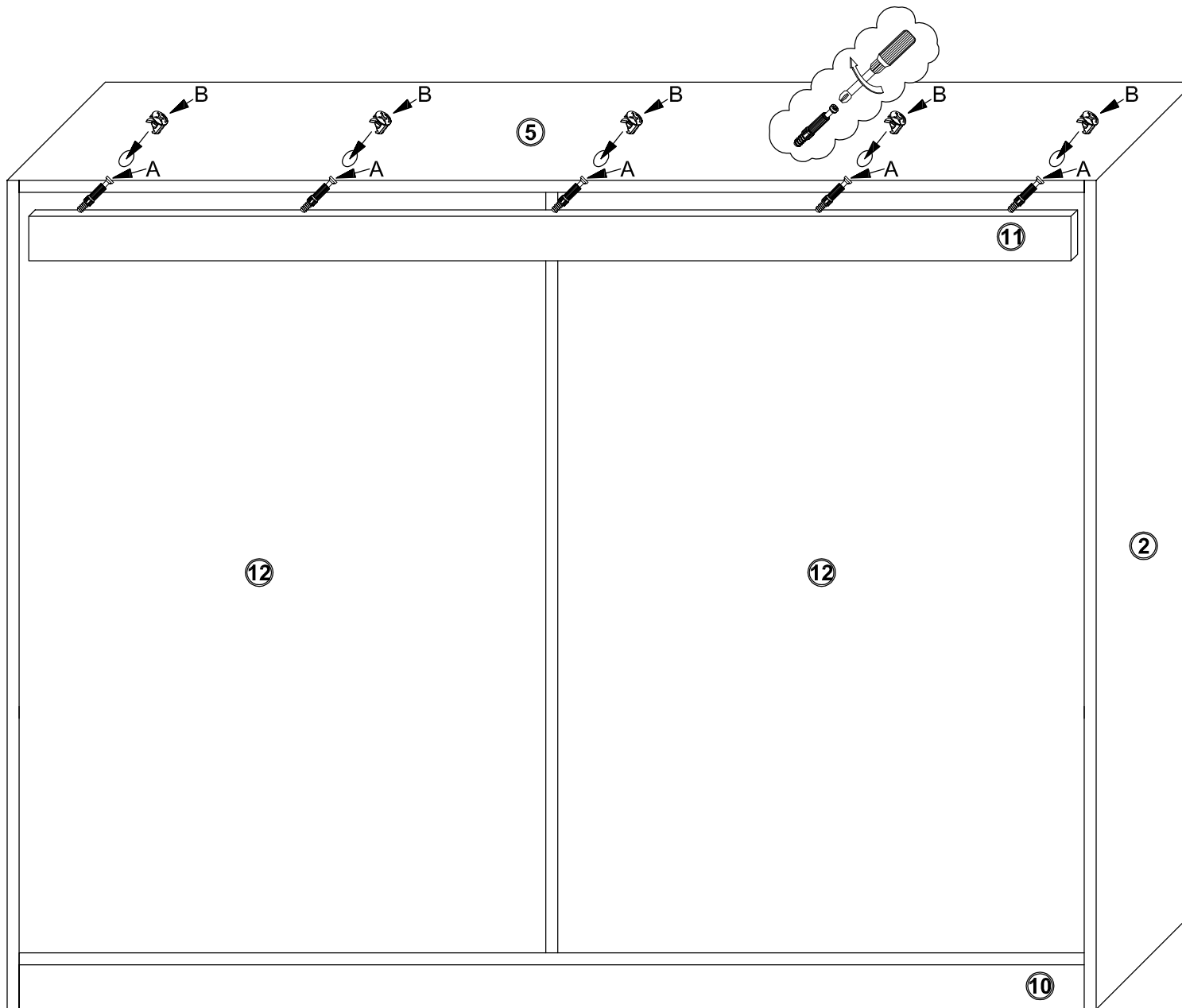
1




2

3



8



		
5 A	5 B	5 C