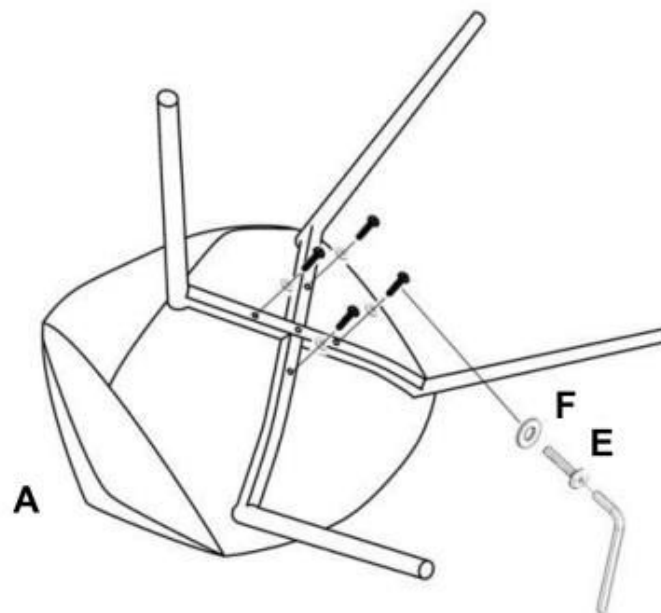
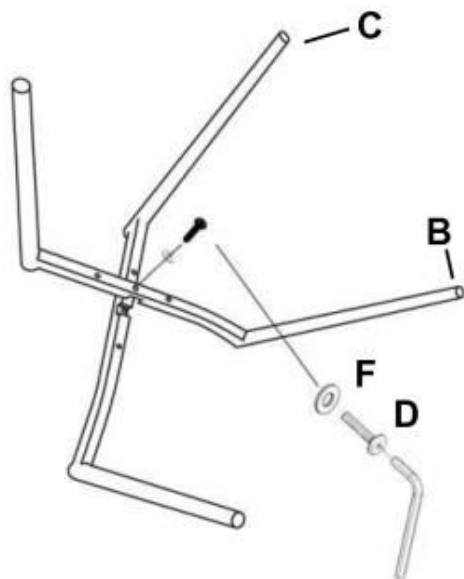
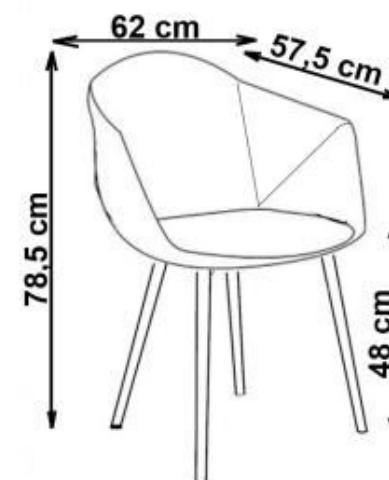


# K420



A		1
B		1
C		1
D	 M6*30	1
E	 M6*45	4
F		5



max. 100 kg

v.1