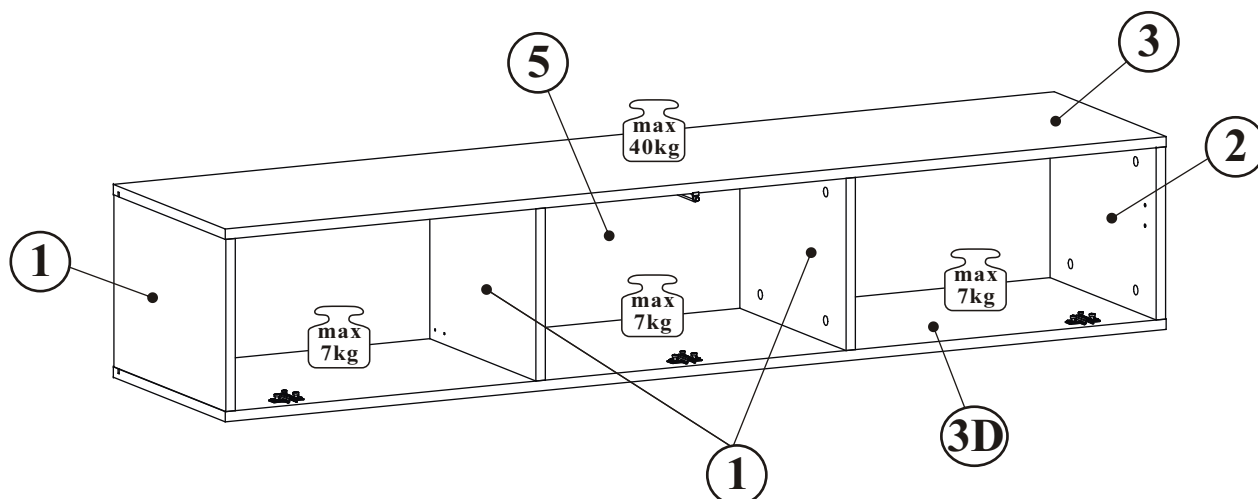
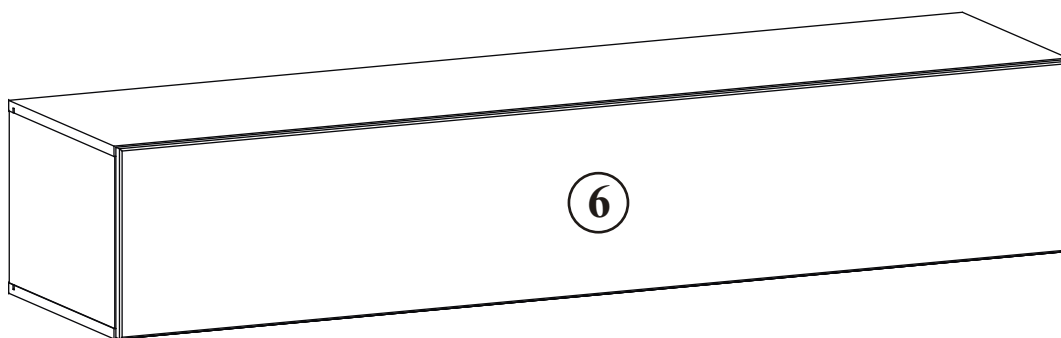
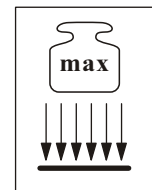
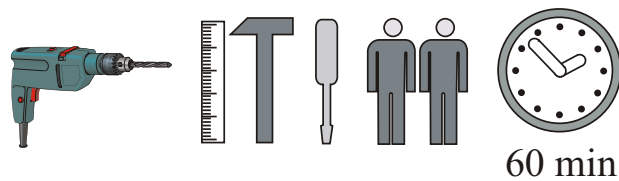


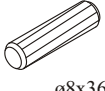
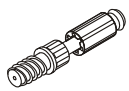


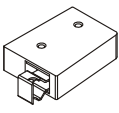

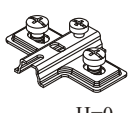
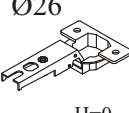

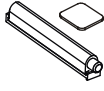

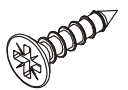
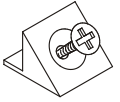
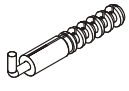

FLY 28 -- FY 30-C

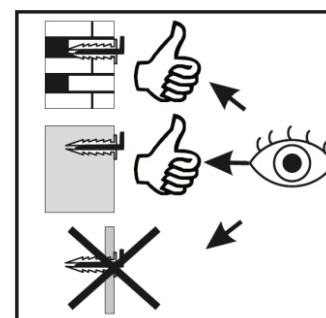
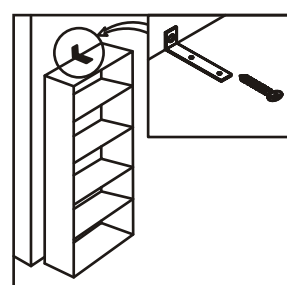
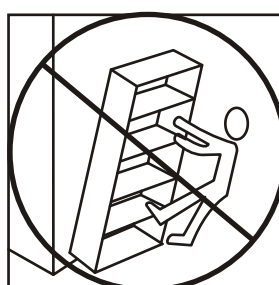
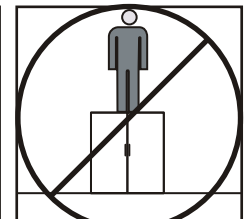
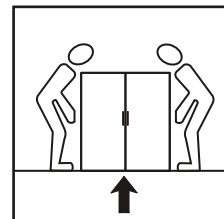
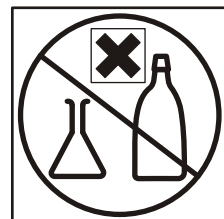
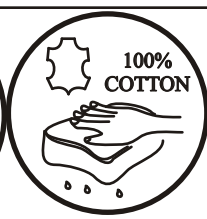
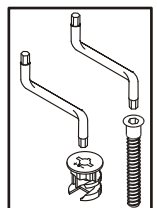
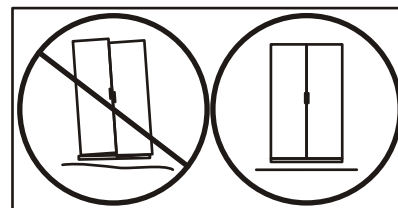
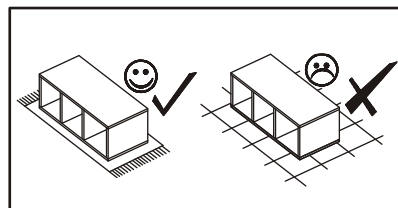
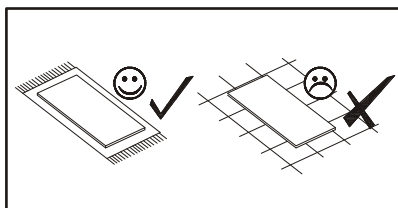
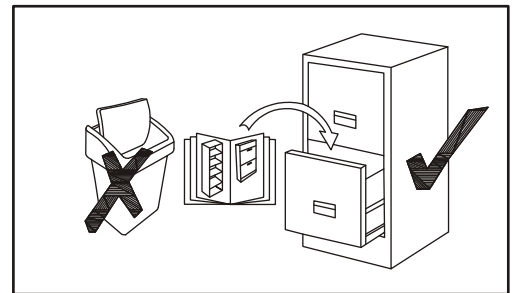
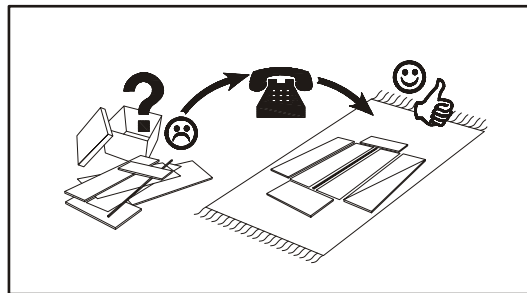
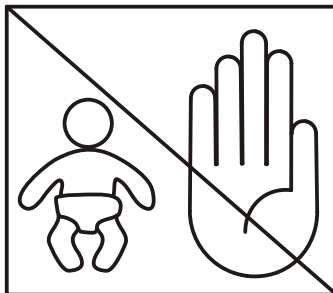
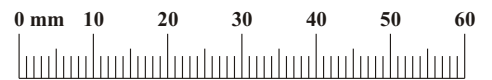


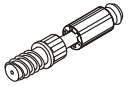
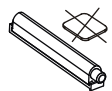
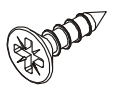
NO	Dim.		Col.-No	Qty
1	268	384	1	1
2	268	384	1	1
3	1602	384	1	1
3D	1602	384	1	1
4	268	364	1	2
5	1580	280	1	1
6	1596	296	1	1



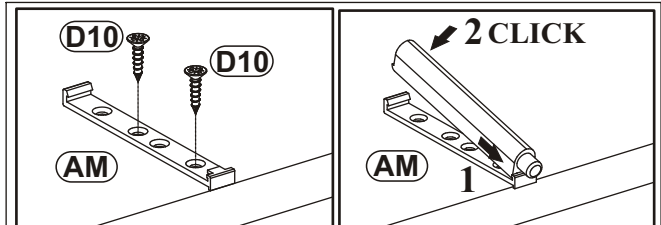
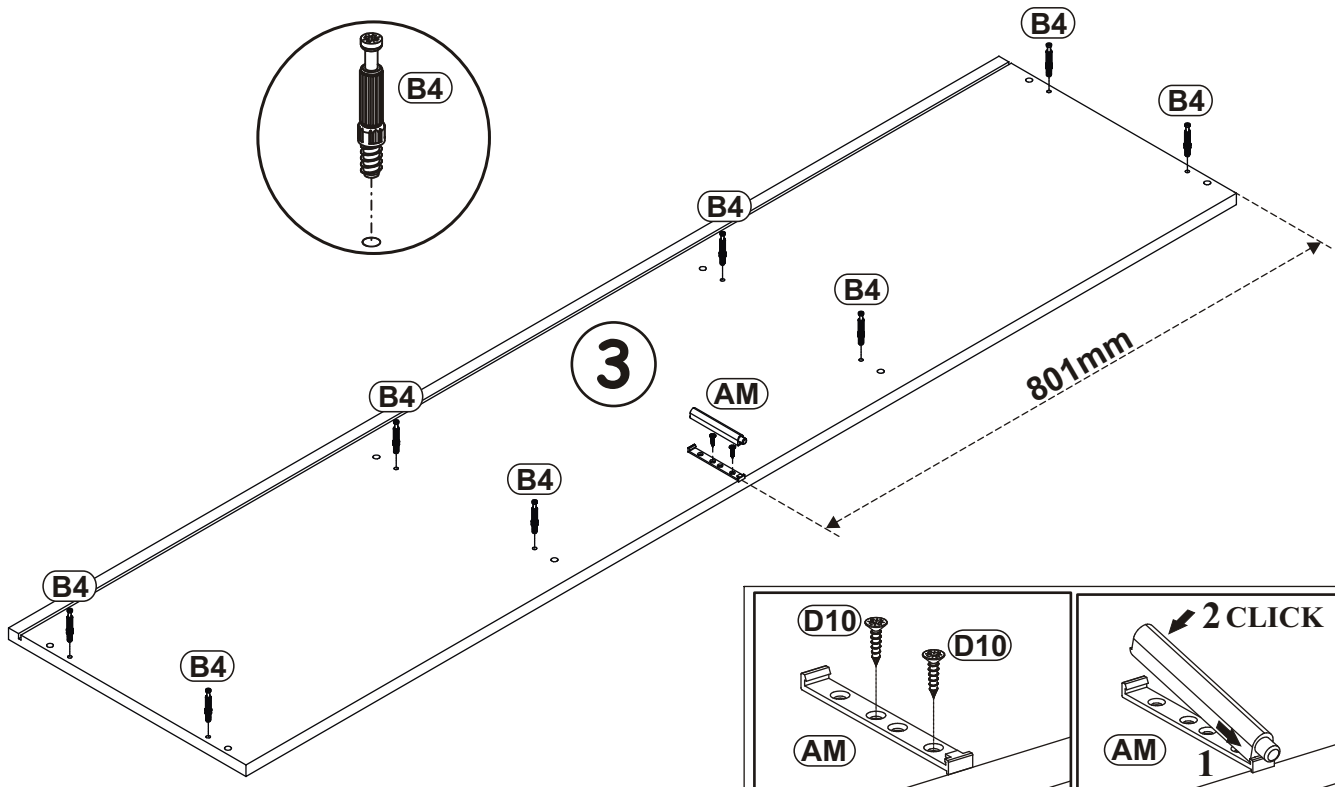
FLY 28--FY 30-C

A1 x16  ø8x36	B4 x16 	B5 x16  ø15x12	G5 x16 	ZR1 x4 	D6 x8  USØ3,5x30
E2 x3  H=0	E1 x3  Ø26 H=0	D10 x24  USØ3,5x13	AM x1 	G21 x2 	D7 x6  USØ3x16
S1 x12 	KR2 x4 	G2 x1 			

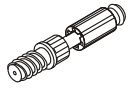
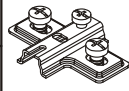


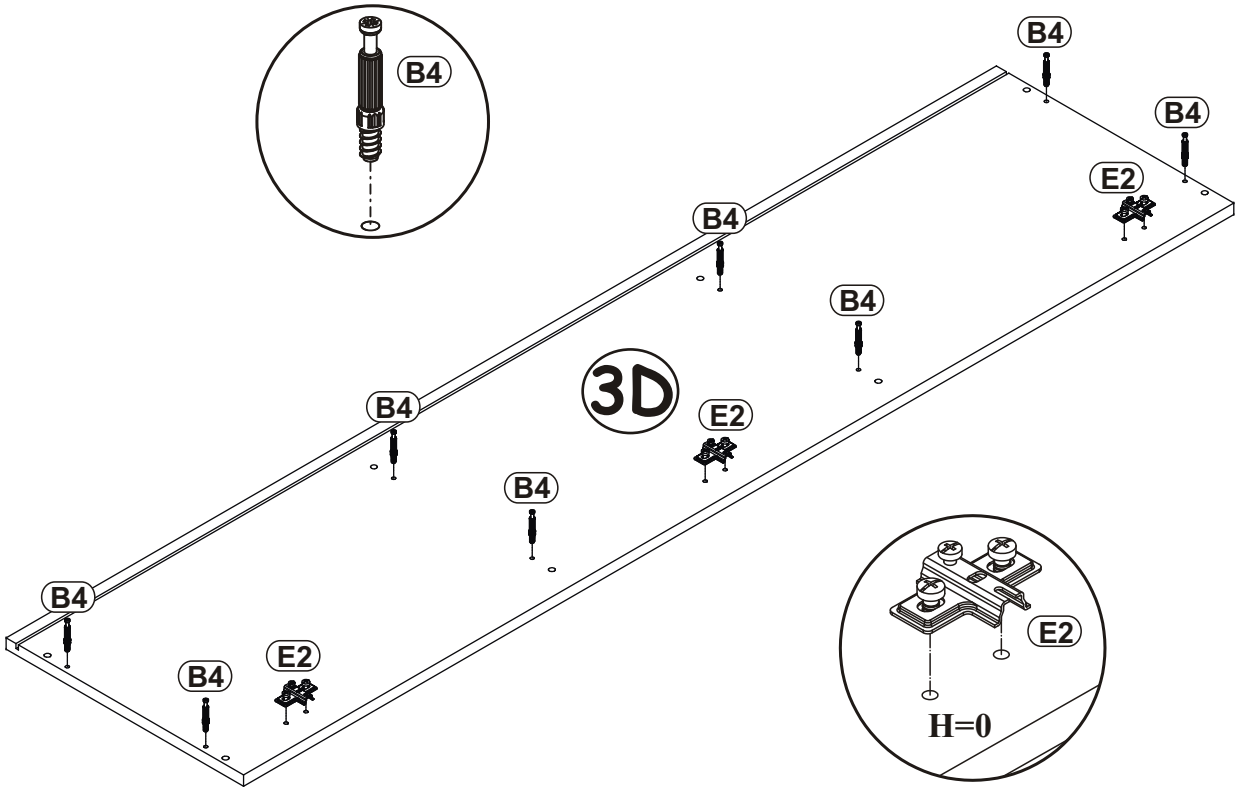
B4		AM		D10	
x8		x1		x2	US03,5x13

1

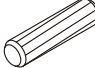



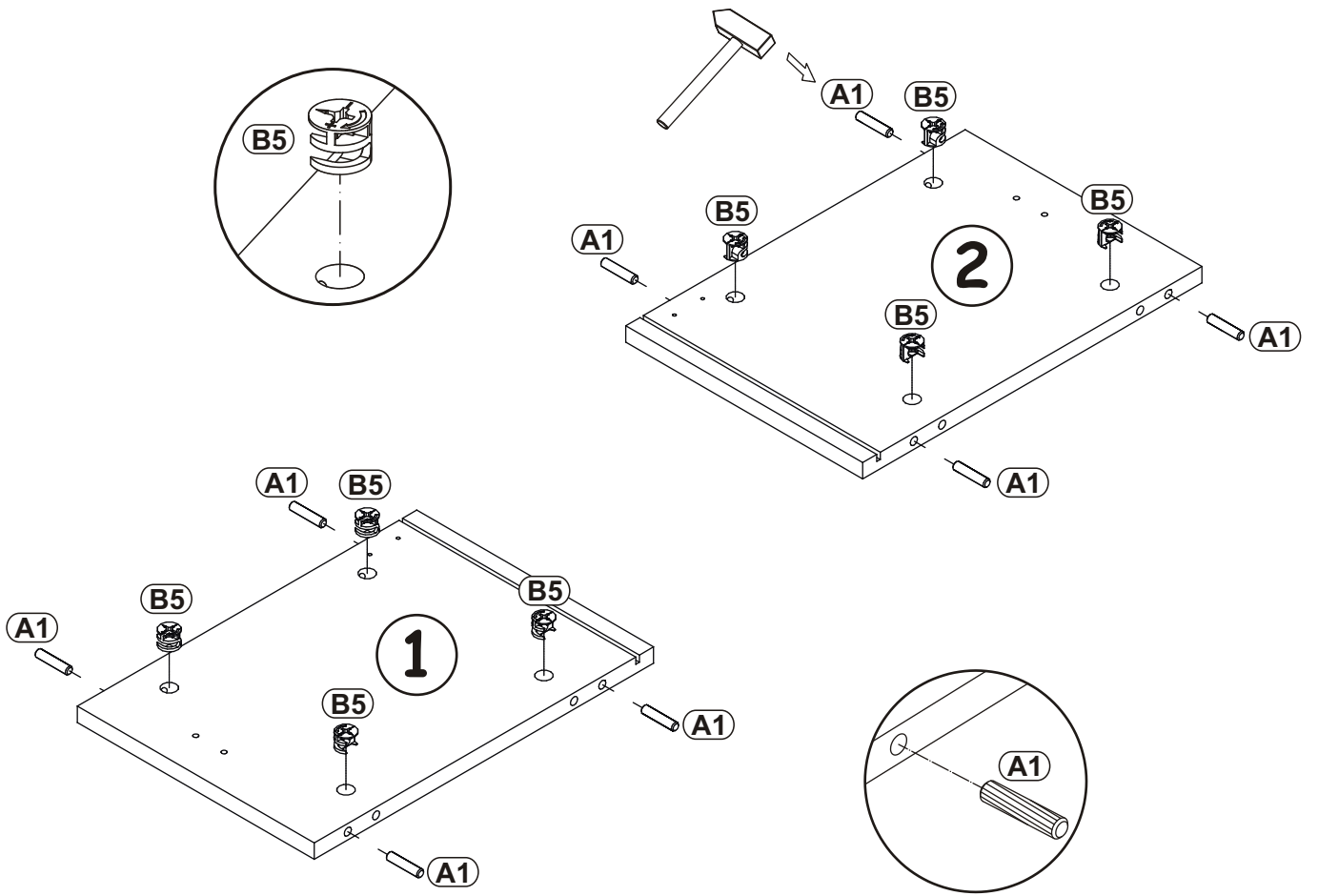
2

B4		E2	
x8		x3	H=0

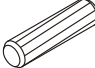



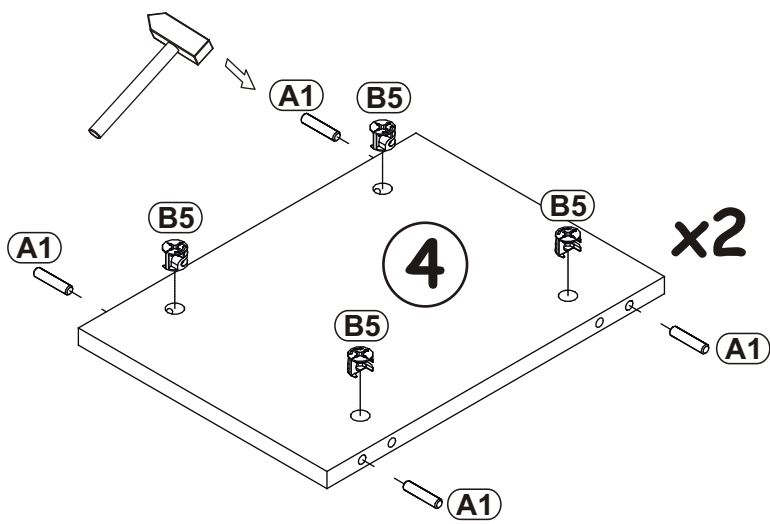
3

A1		B5	
x8		x8	

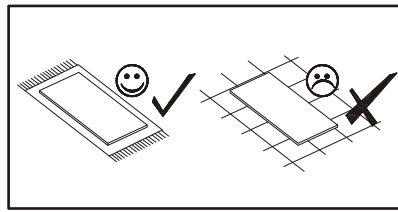


4

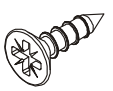
A1		B5	
x8		x8	

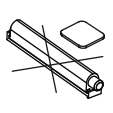


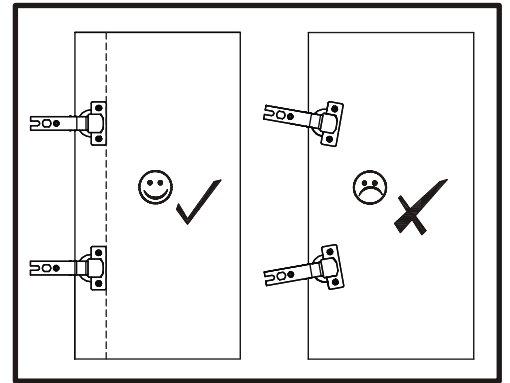
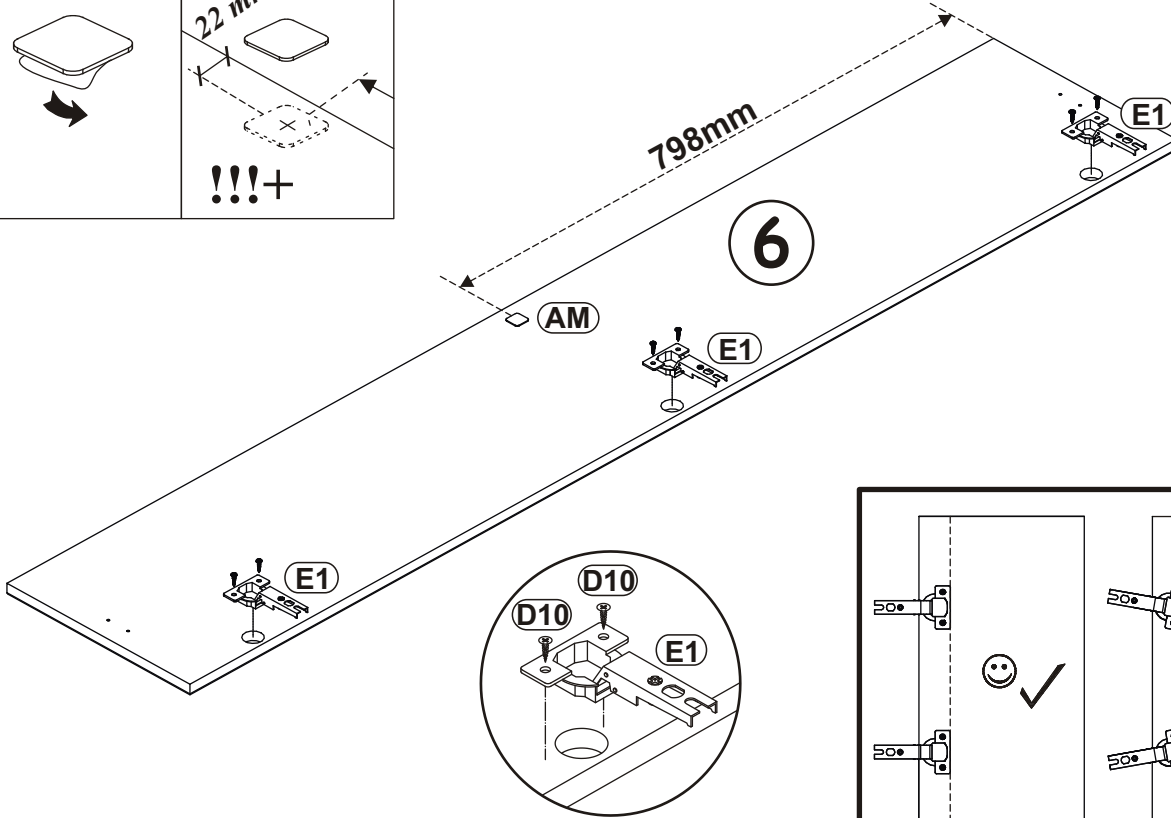
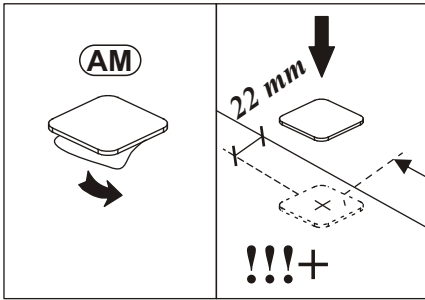
5




E1	Ø26
x3	H=0

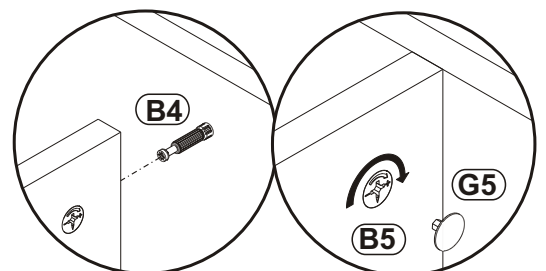
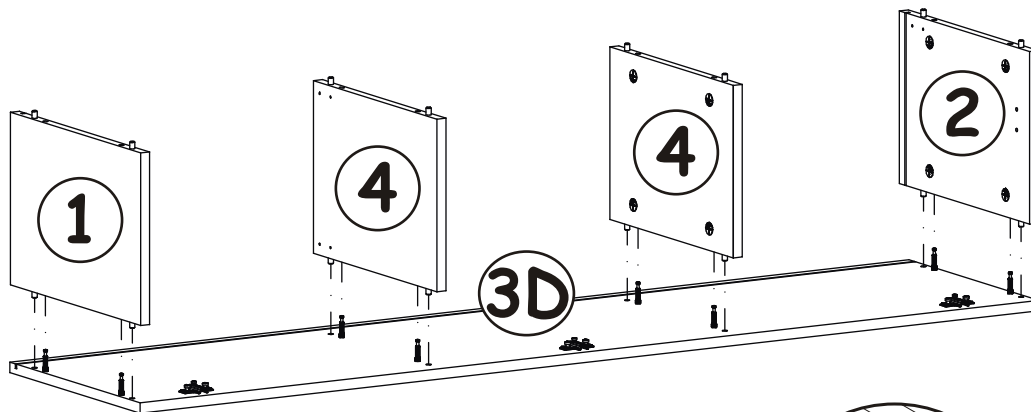
D10	
x6	USØ3,5x13

AM	
x1	




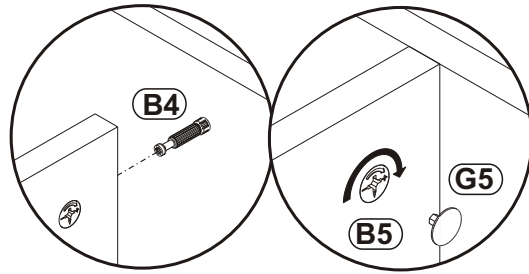
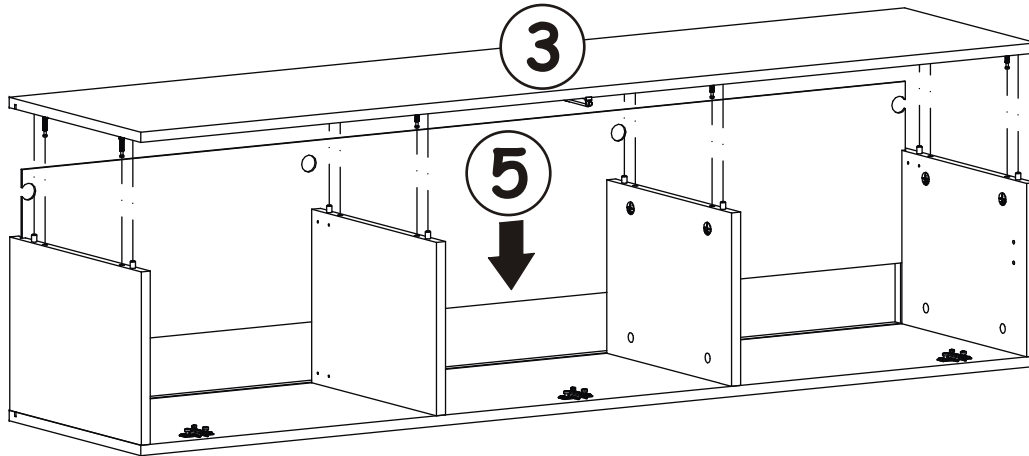
6

G5	
x8	



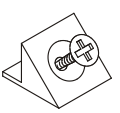
7

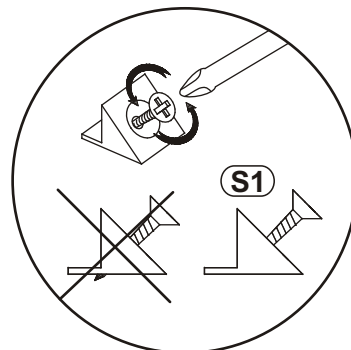
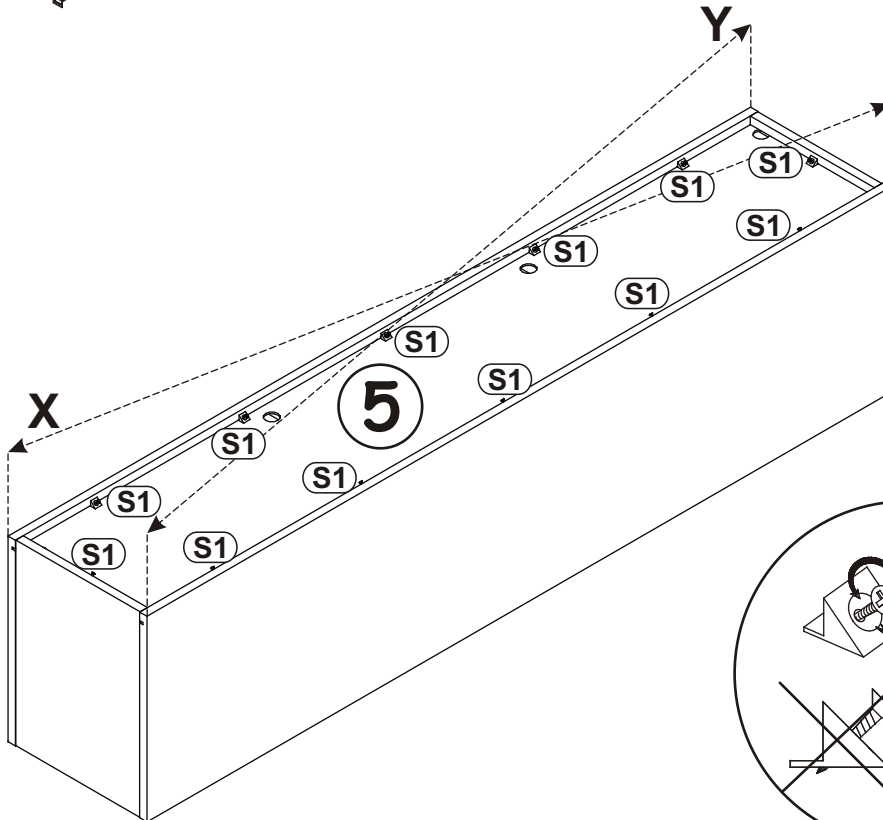
G5	
x8	



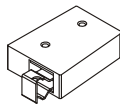

8

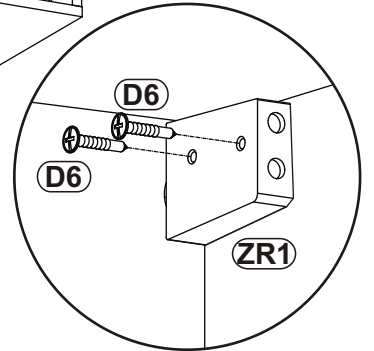
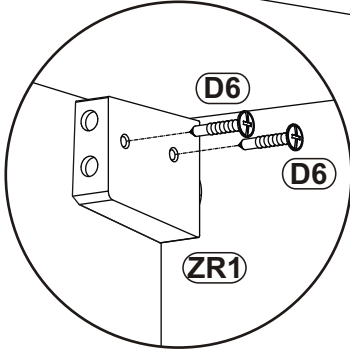
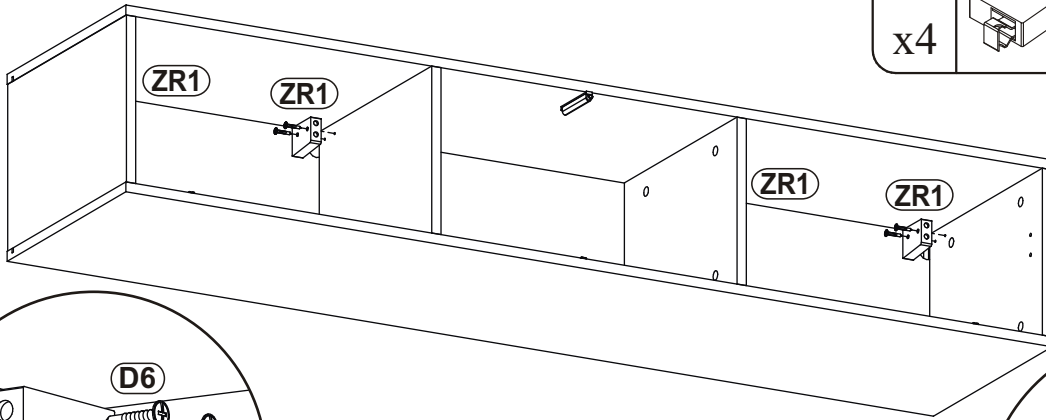


S1	
x12	

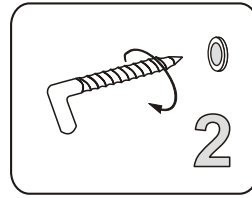
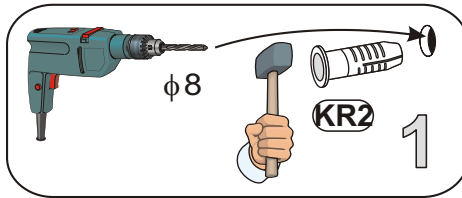
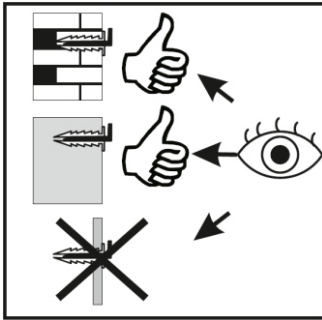


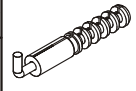
9

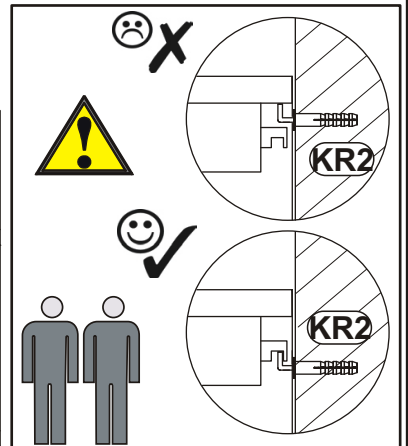
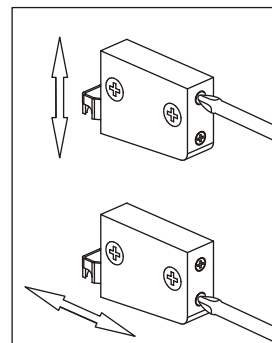
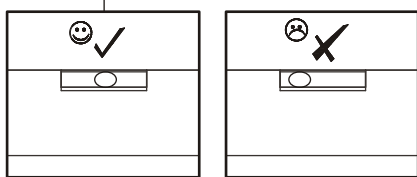
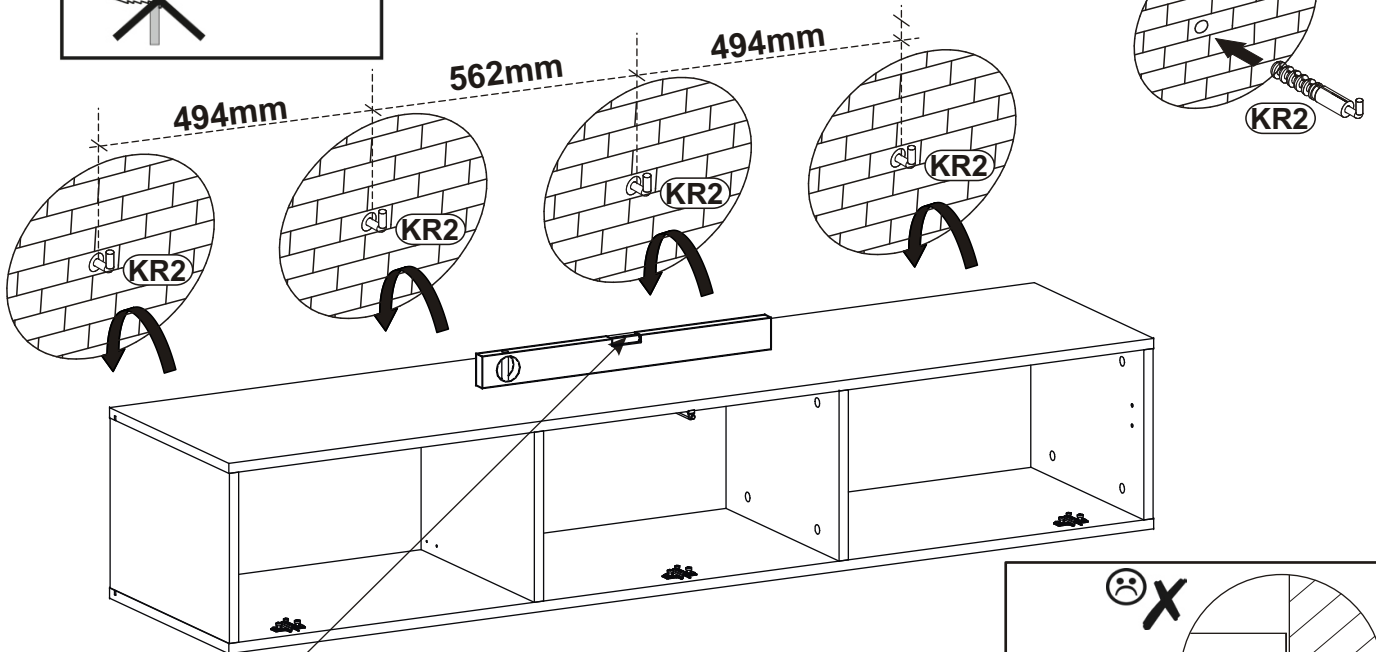
ZR1		D6	
x4		x8	USØ3,5x30



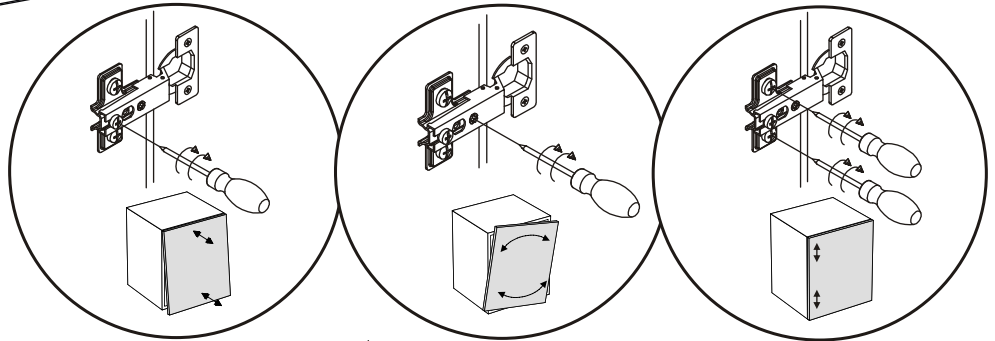
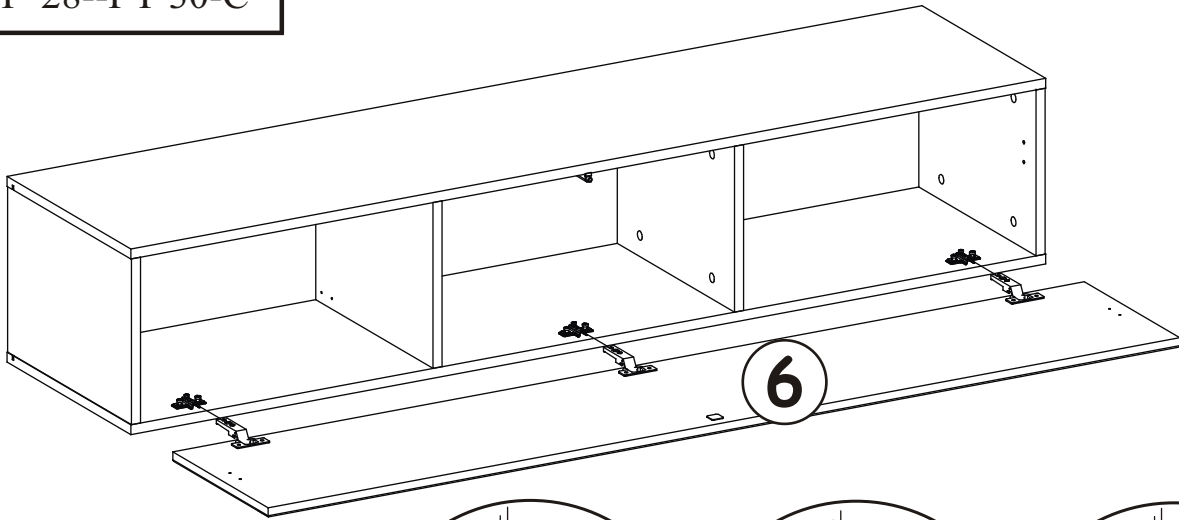
10



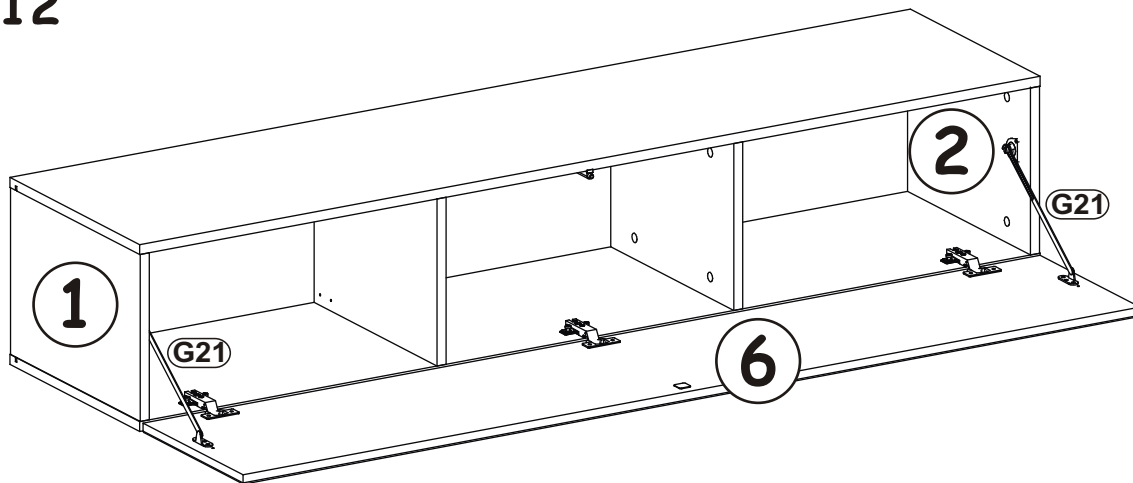
KR2	
x4	



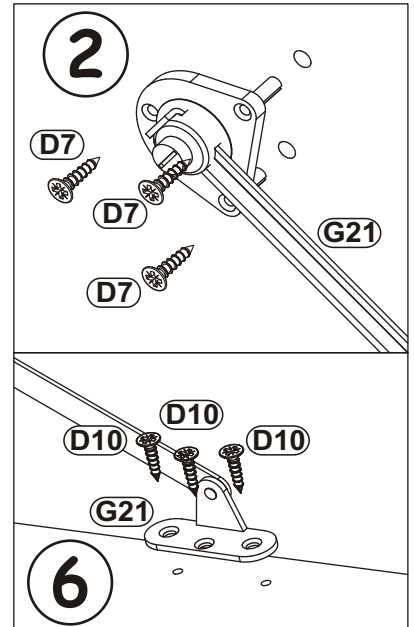
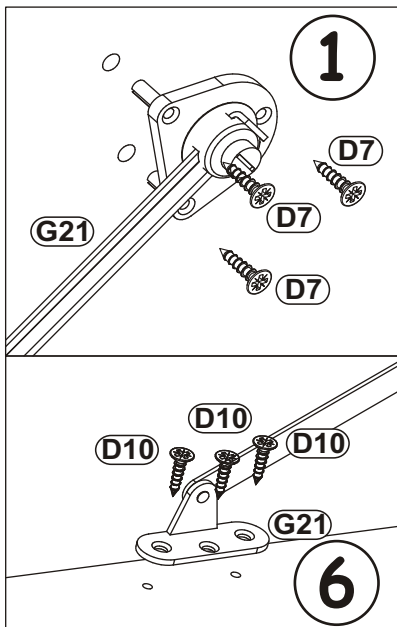
11



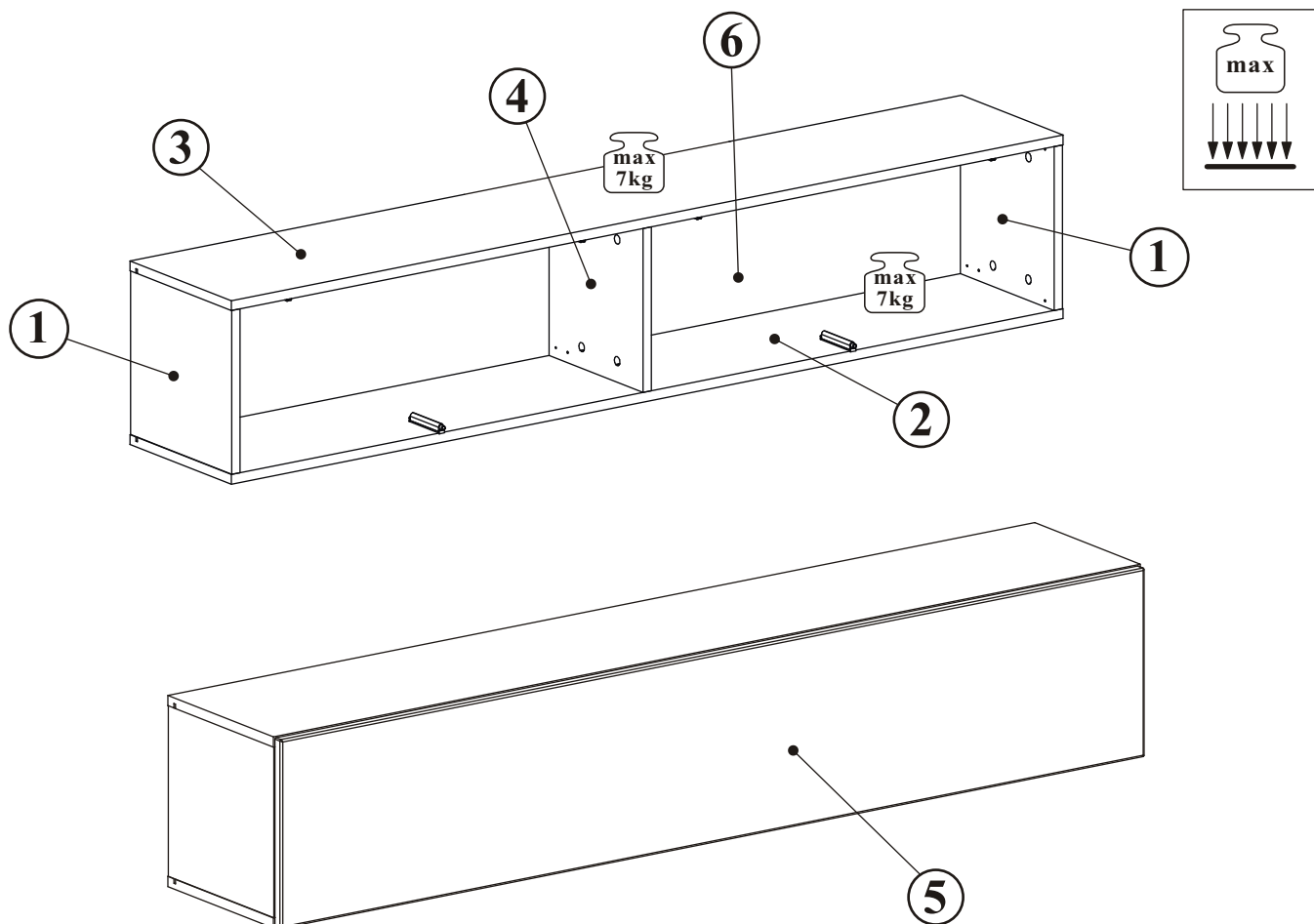
12



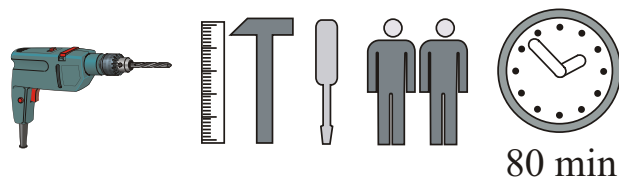
- | | |
|-----|-----------|
| G21 | |
| x2 | |
| D7 | |
| x6 | USØ3x16 |
| D10 | |
| x6 | USØ3,5x13 |



FLY 28 -- FY 50B-C

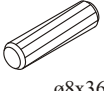
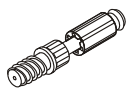


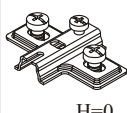
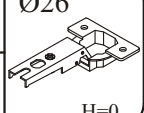

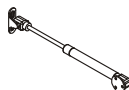
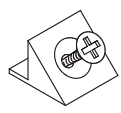
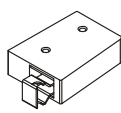







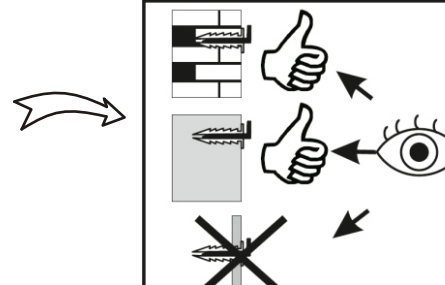
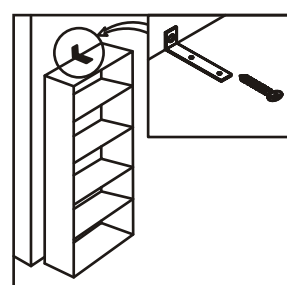
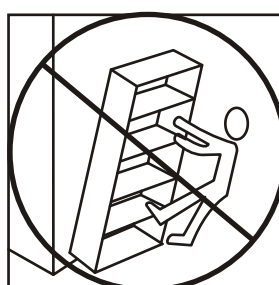
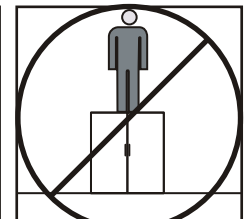
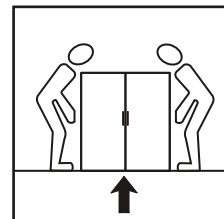
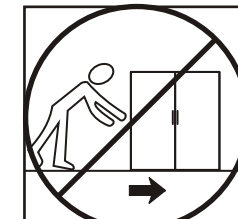
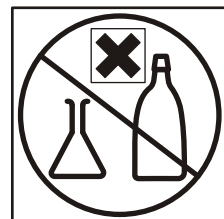
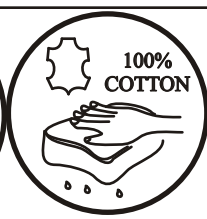
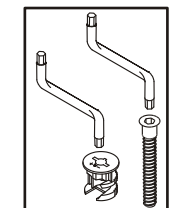
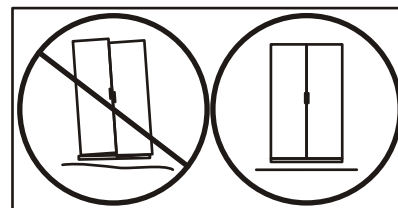
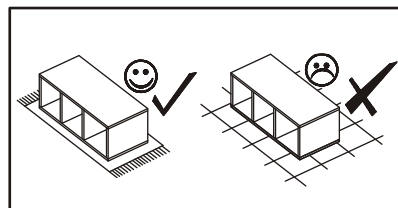
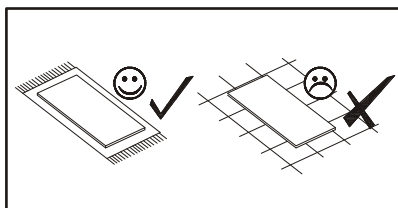
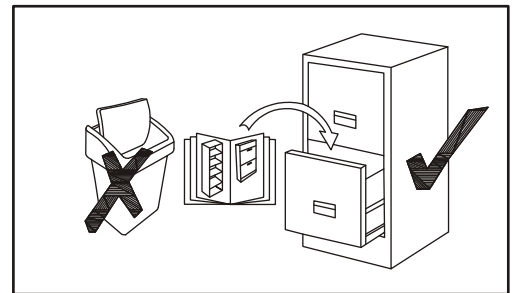
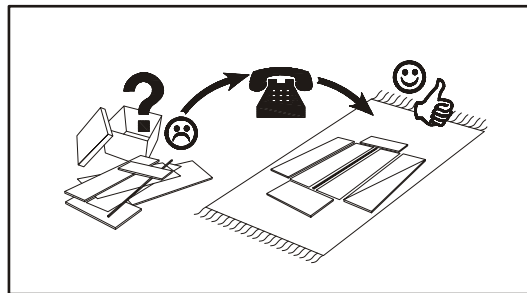
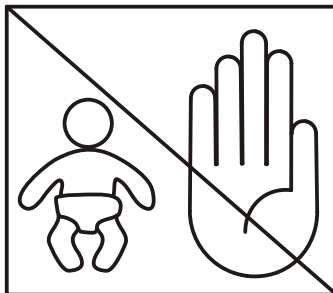
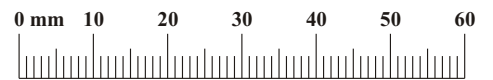
NO	Dim.		Col.-No	Qty
1	268	274	1	2
2	1602	274	1	1
3	1602	274	1	1
4	268	254	1	1
6	1580	280	1	1
5	1596	296	1	1


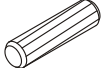


80 min

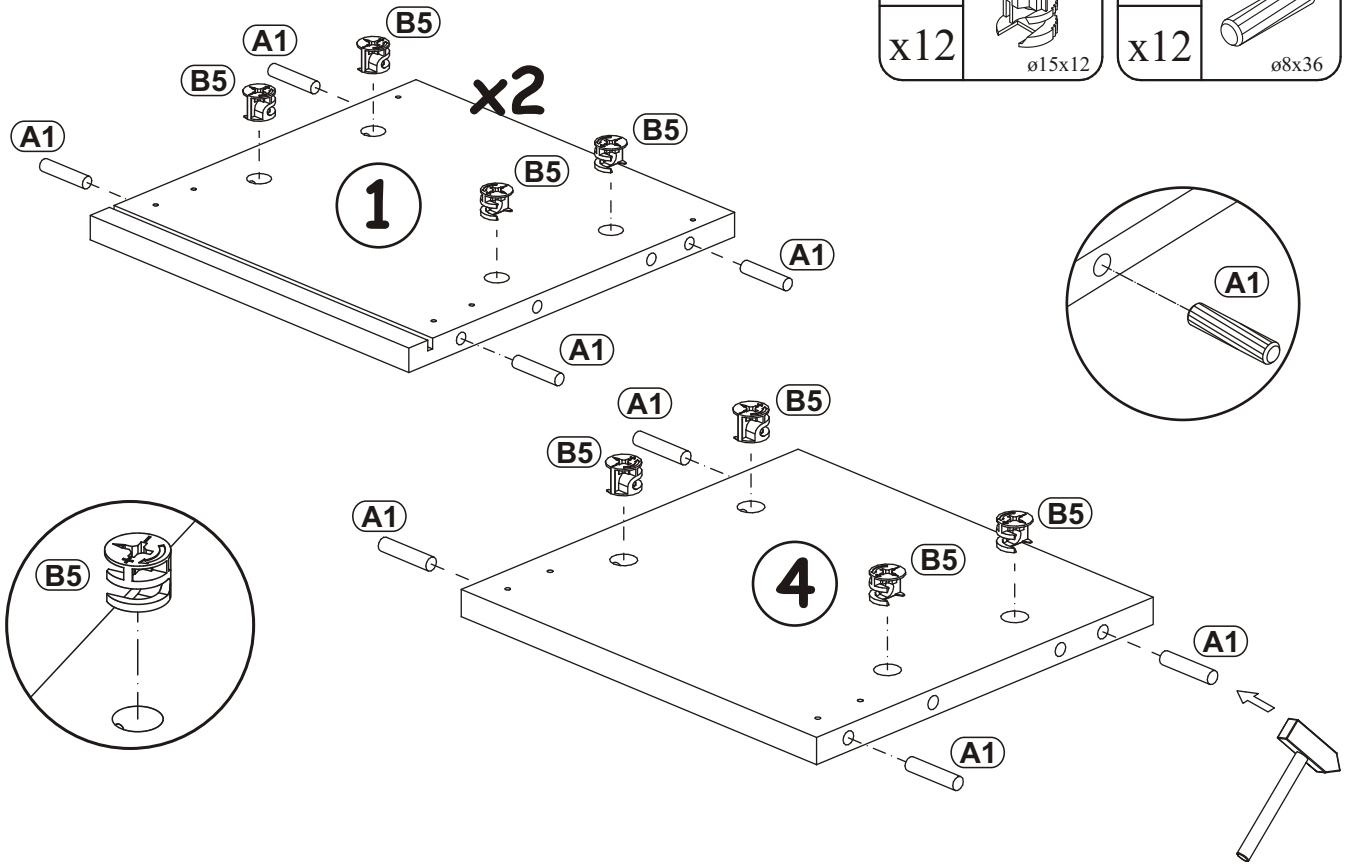
FLY 28--FY 50B-C

A1 x12  ø8x36	B4 x12 	B5 x12  ø15x12	G5 x12 	E2 x4  H=0	E1 x4  Ø26 H=0
T1 x2 	BO1 x2 	S1 x12 	ZR1 x3 	D6 x6  USØ3,5x30	D10 x22  USØ3,5x13
UP13 x2  UPØ3x16	G2 x1 	KR2 x3 			

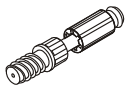
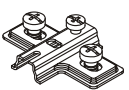


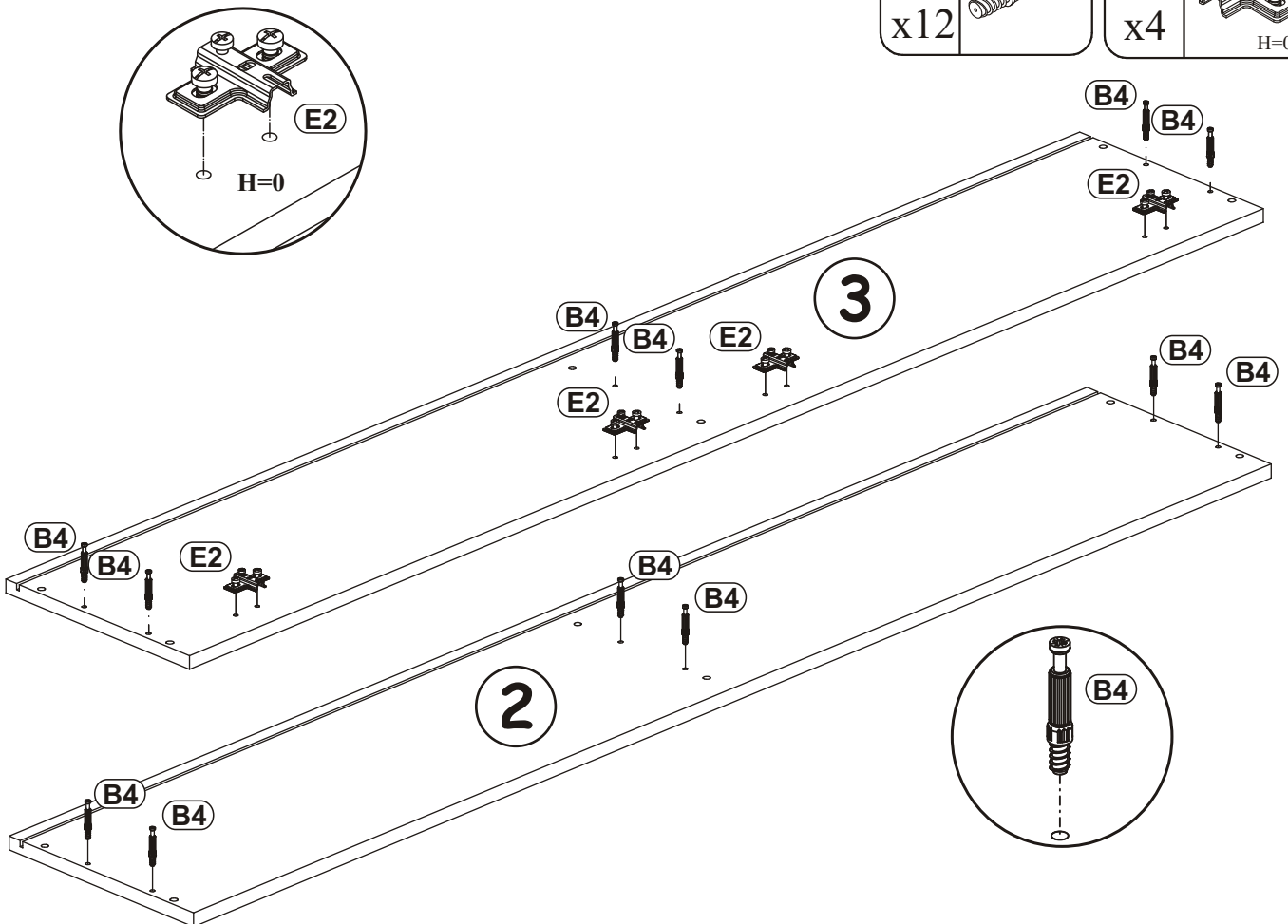
B5		A1	
x12	ø15x12	x12	ø8x36

1

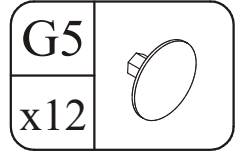


2

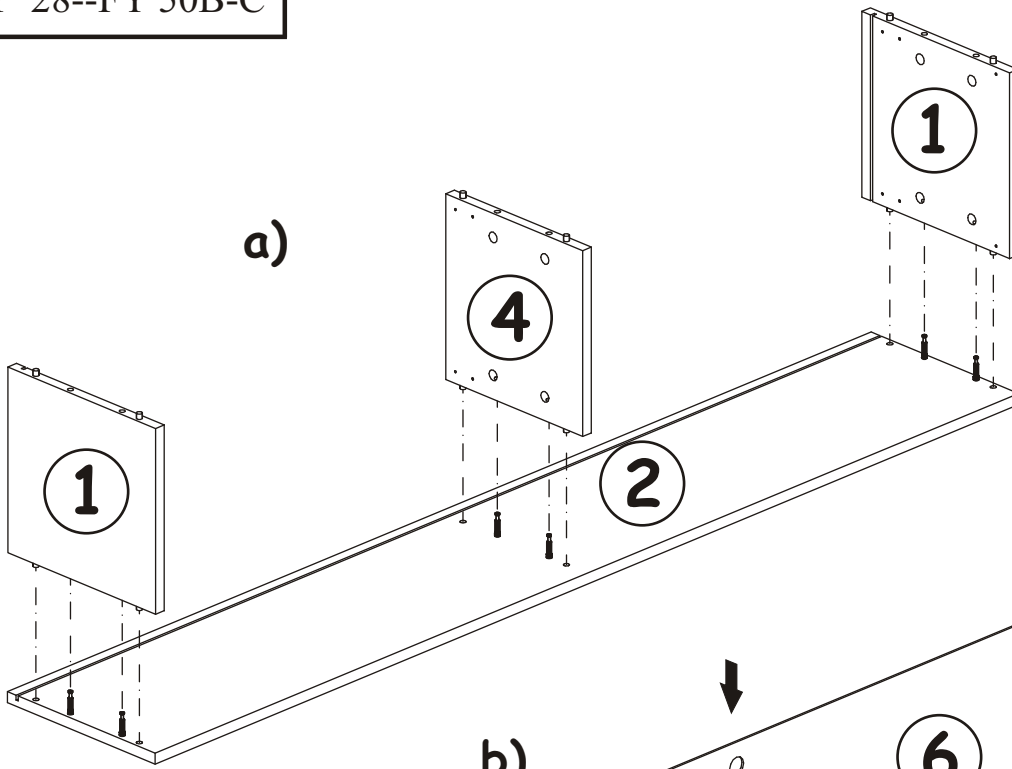
B4		E2	
x12		x4	H=0



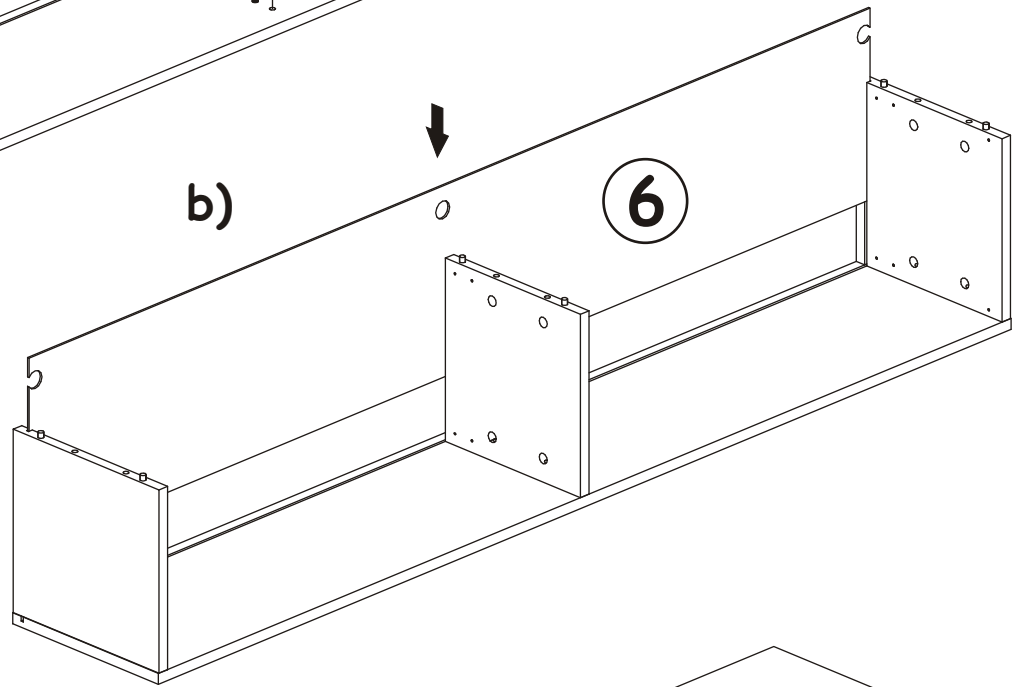
3



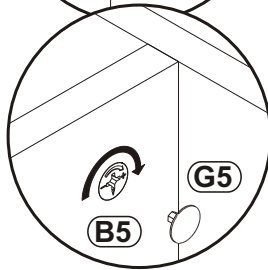
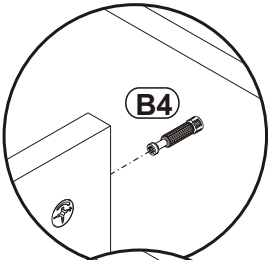
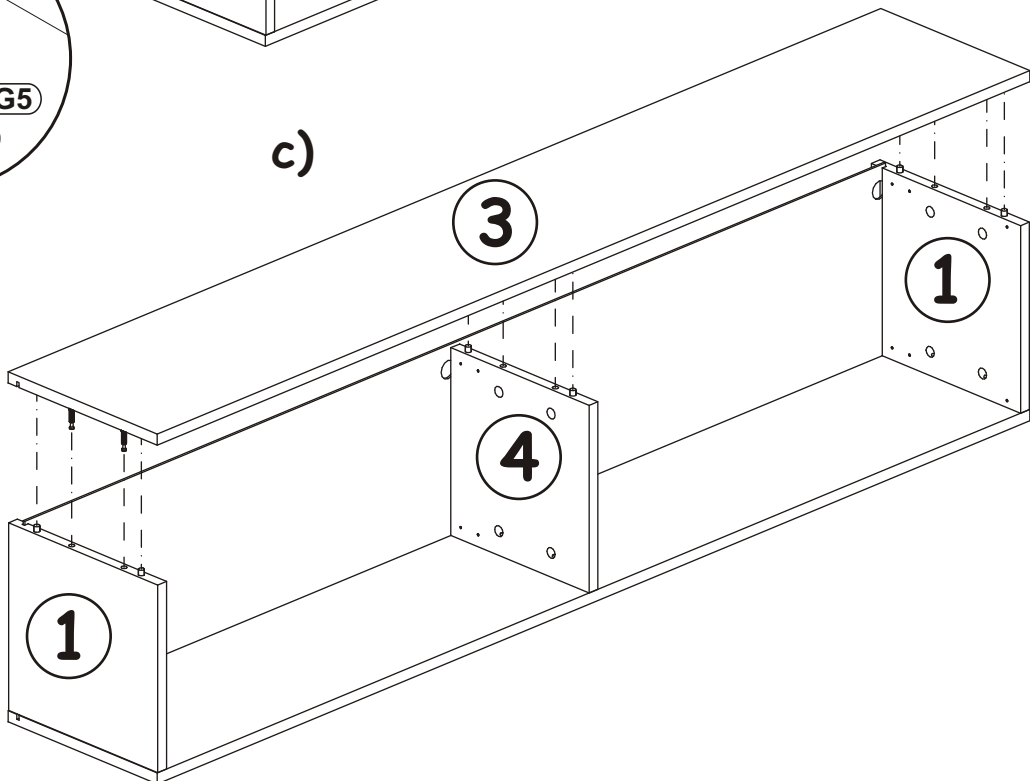
a)



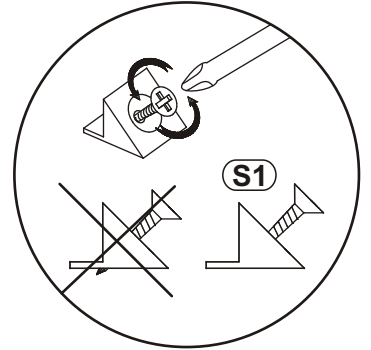
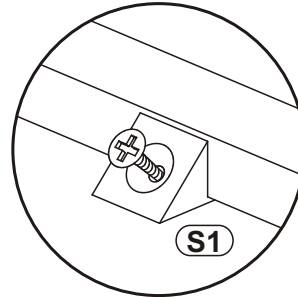
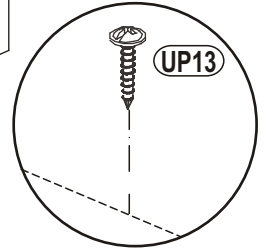
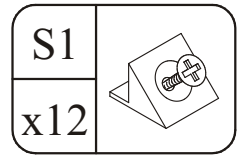
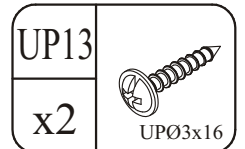
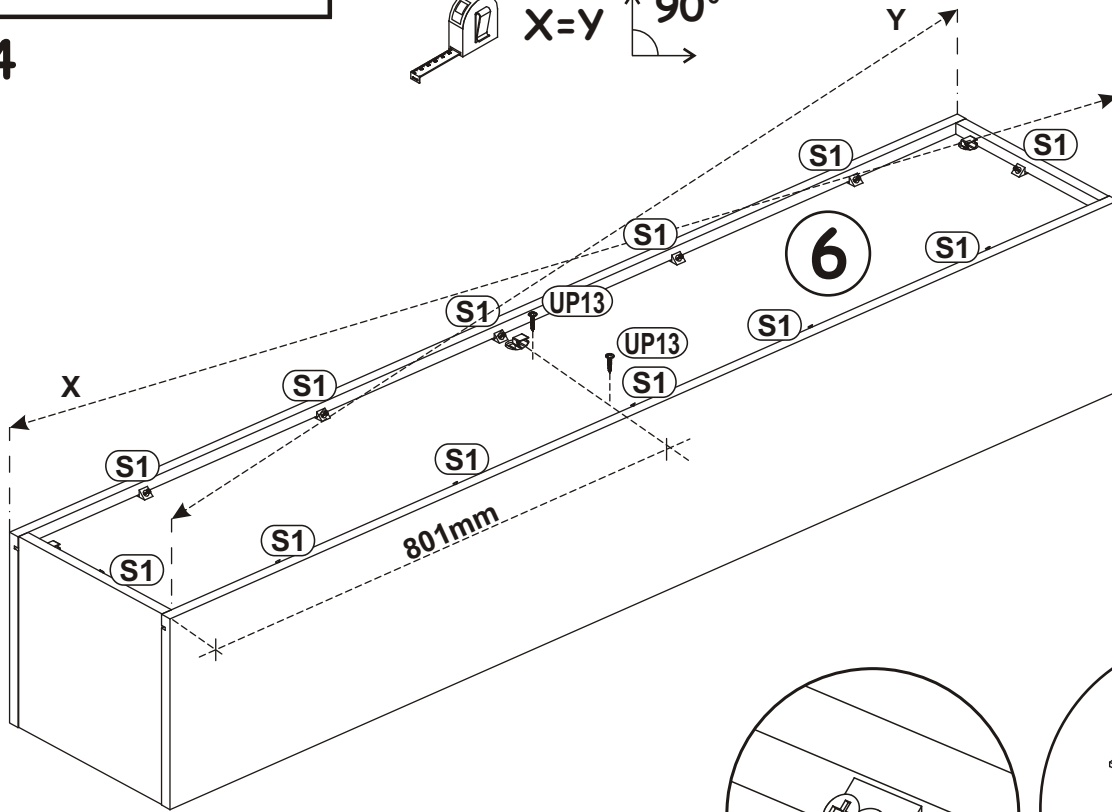
b)



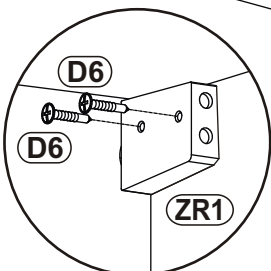
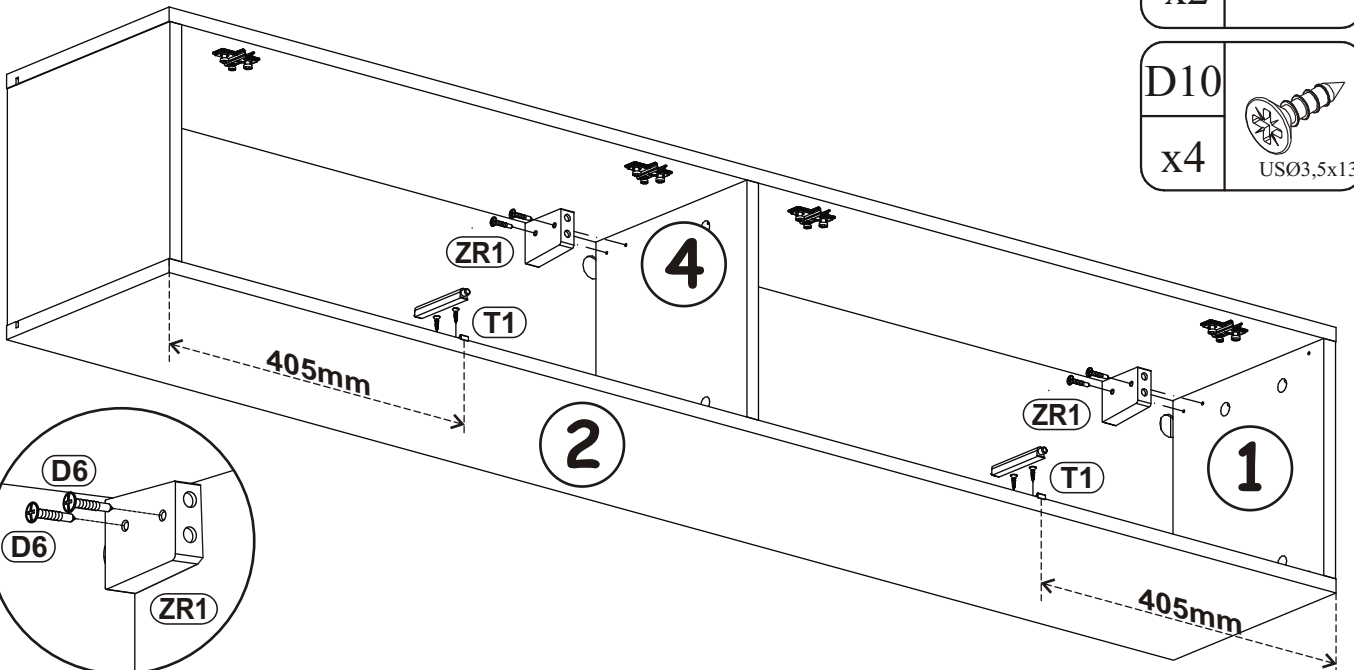
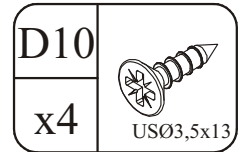
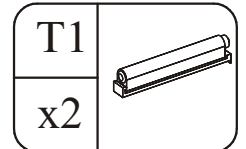
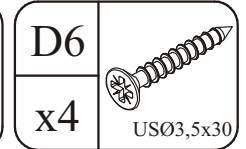
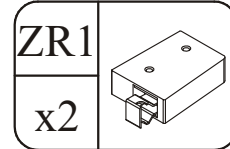
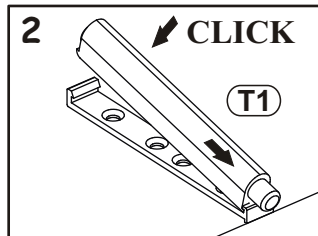
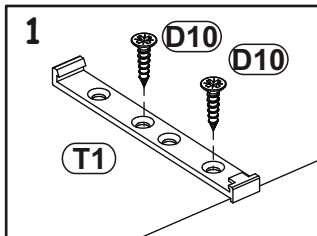
c)



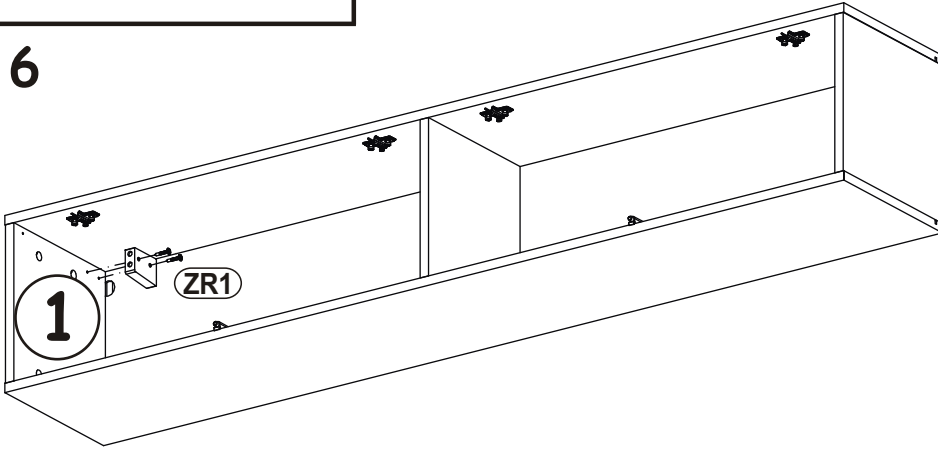
4



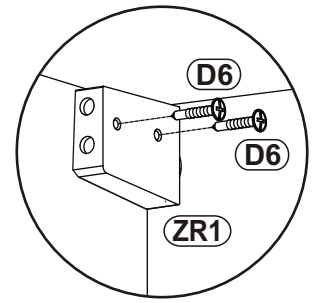
5



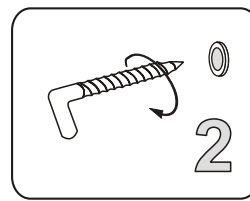
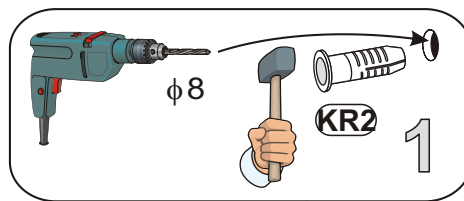
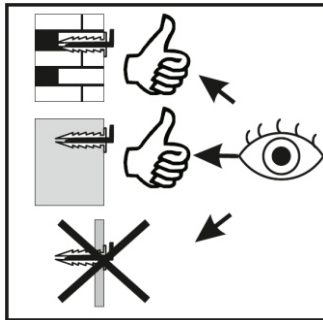
6



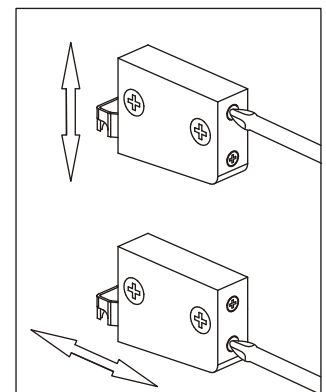
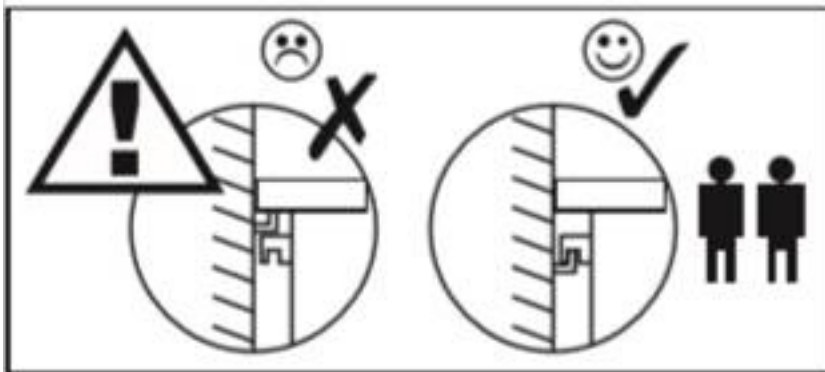
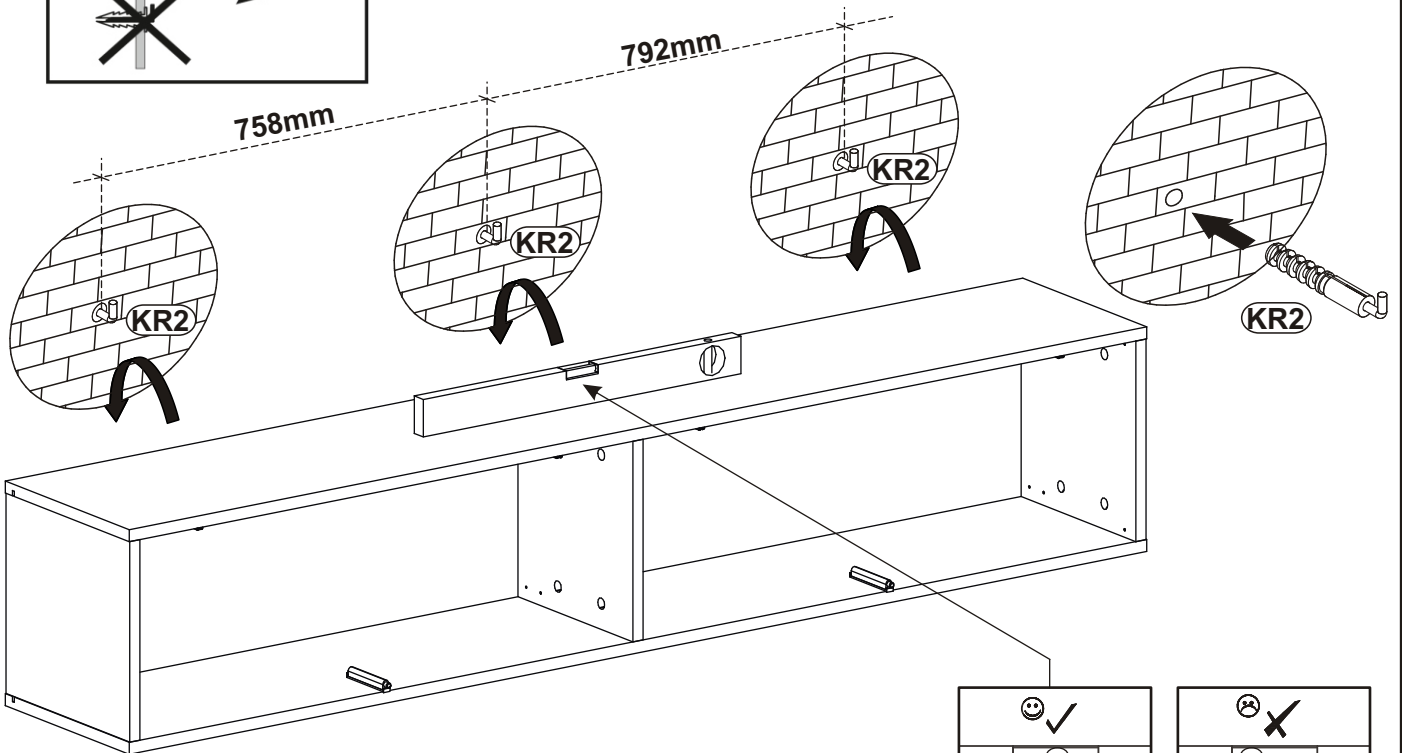
ZR1		D6	
x1		x2	USØ3,5x30



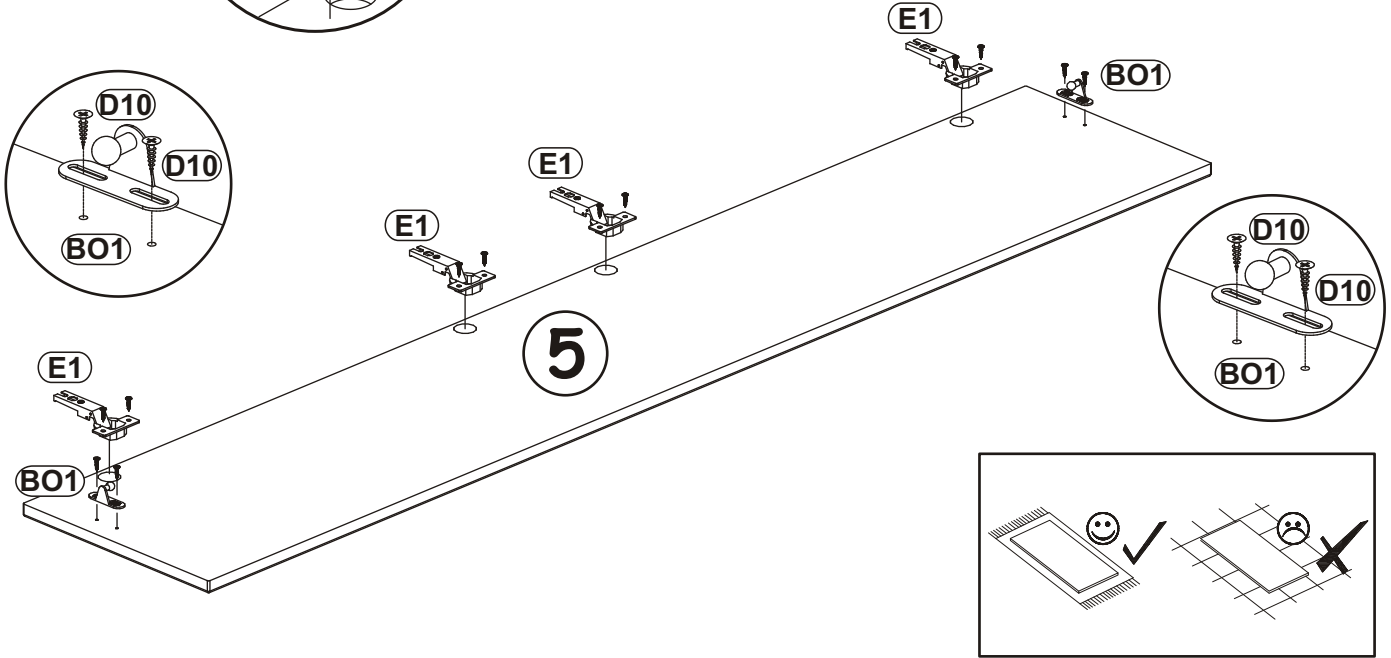
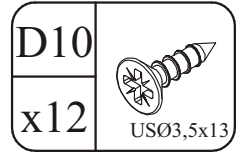
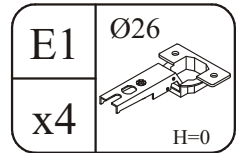
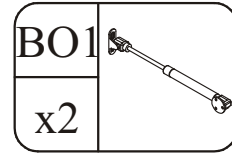
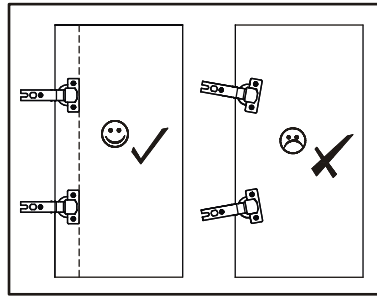
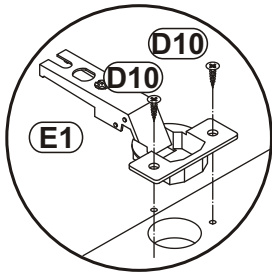
7



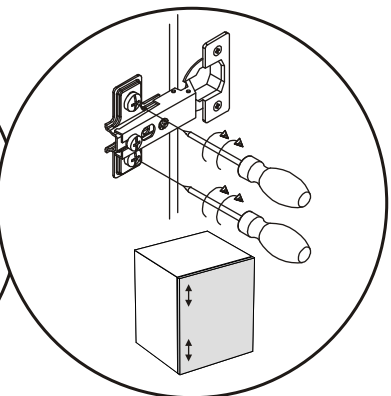
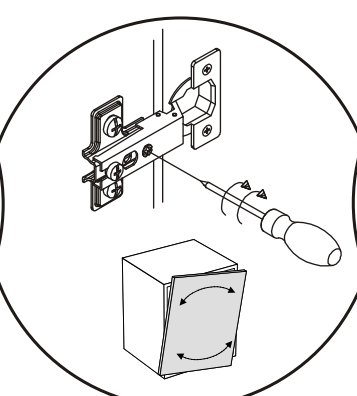
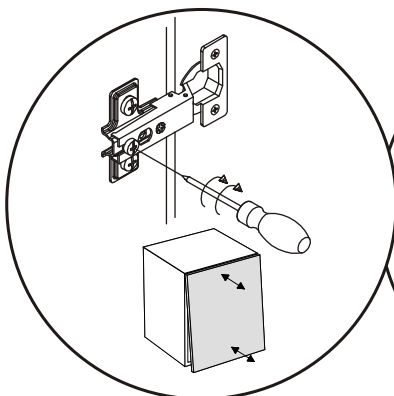
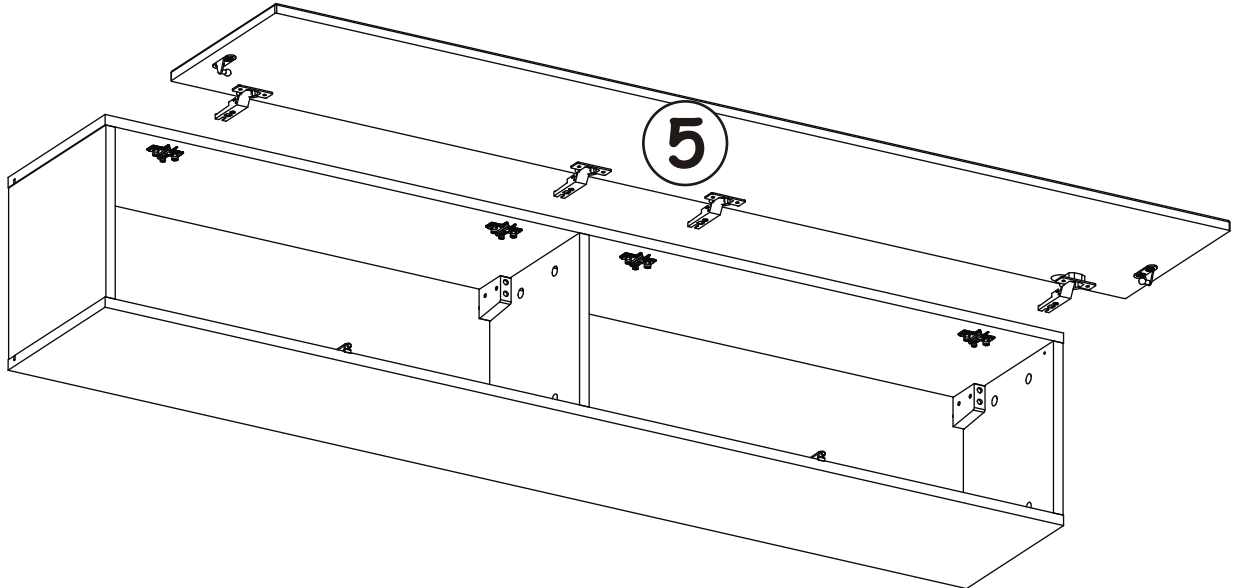
KR2	
x3	




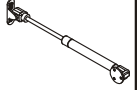
8

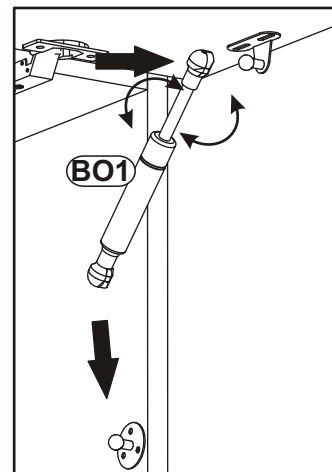
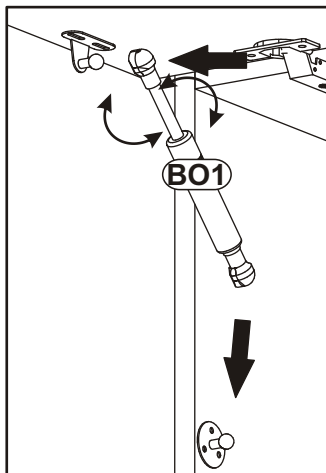
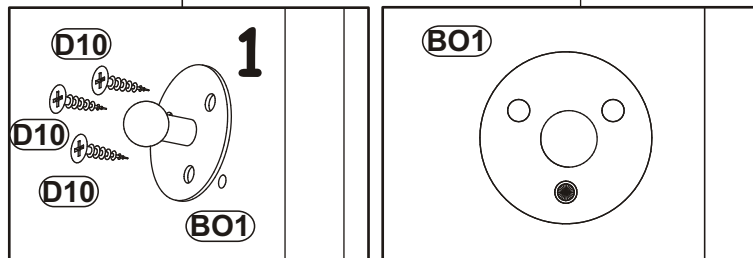
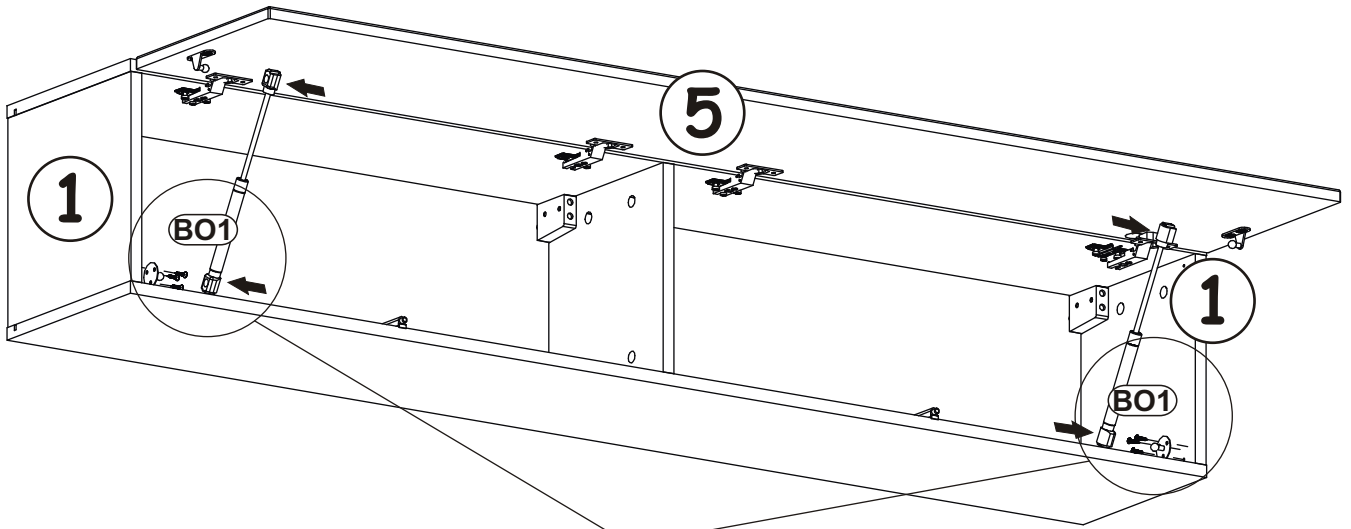


9

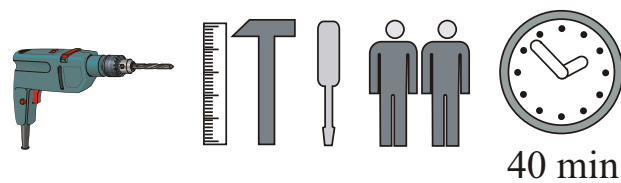
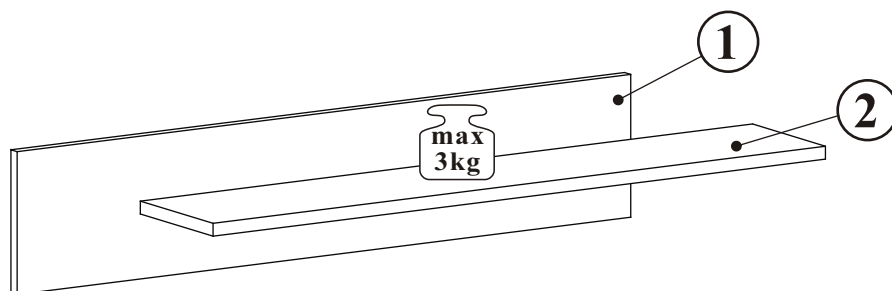
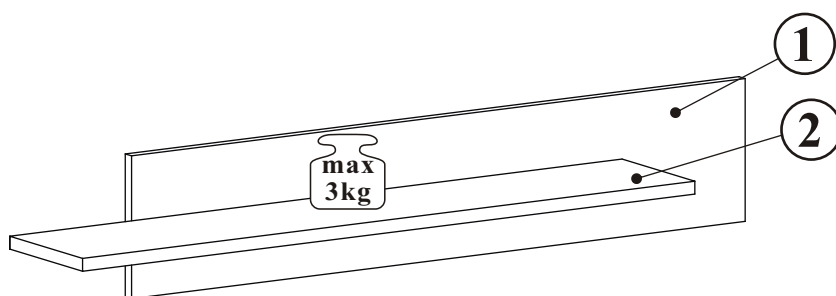
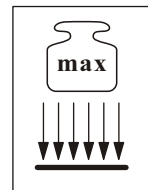
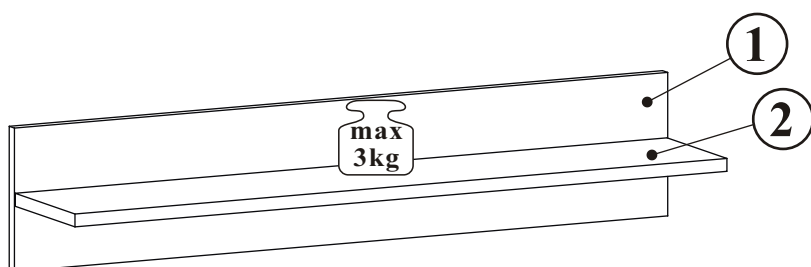


10

D10		B01	
x6	USØ3,5x13	x2	

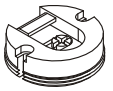







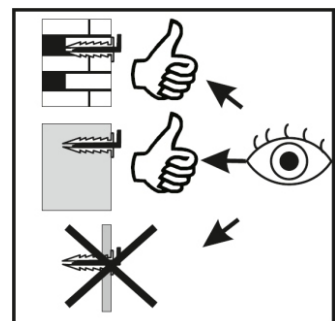
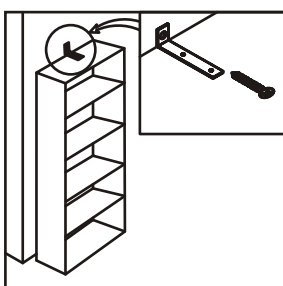
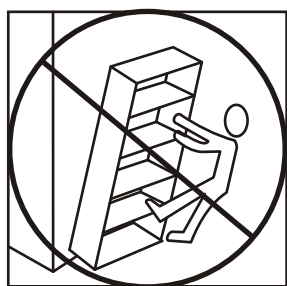
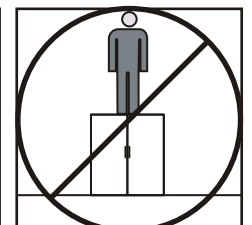
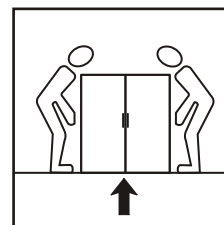
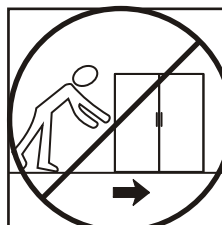
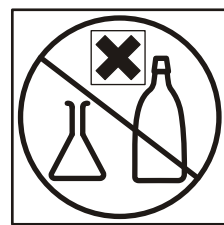
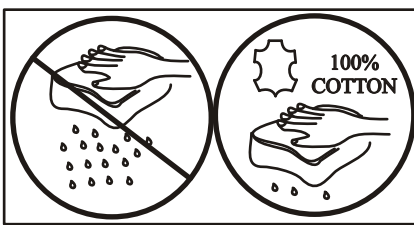
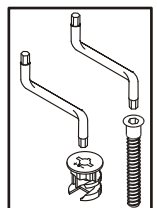
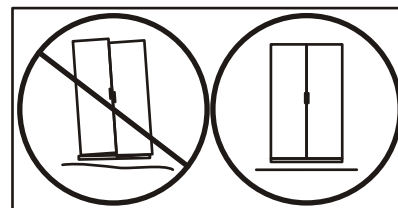
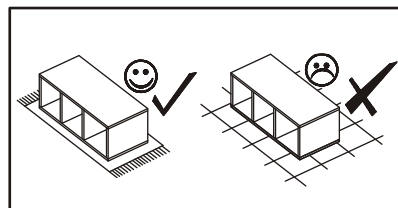
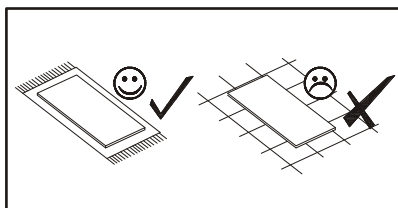
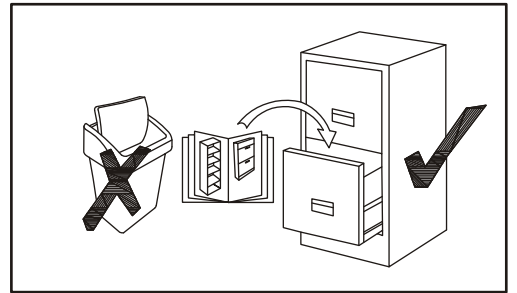
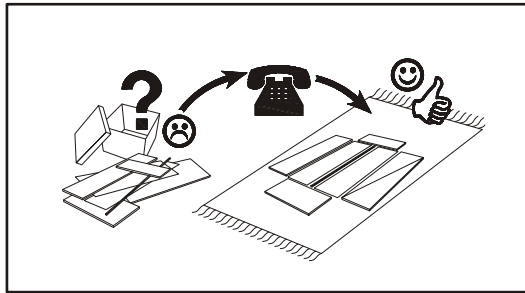
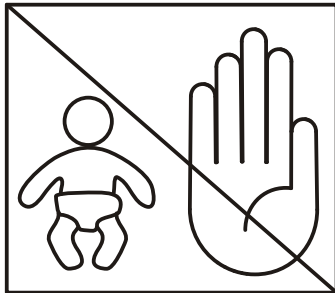
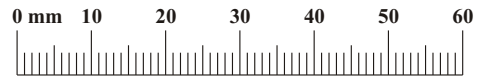
GALINO 23_MX



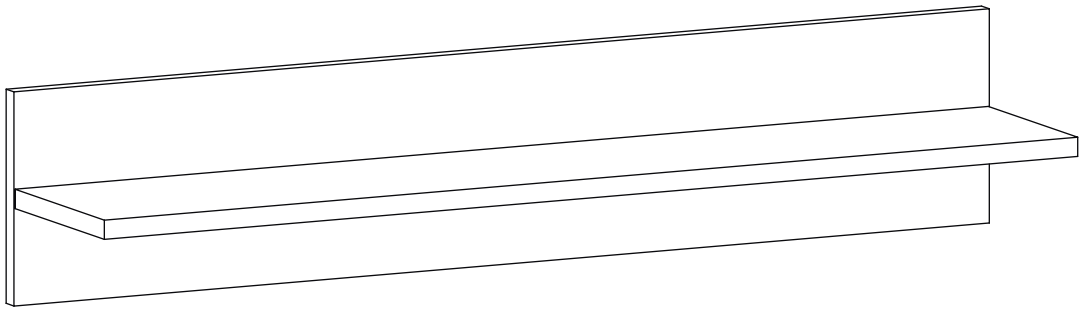
NO	Dim.		Col.-No	Qty
1	1002	200	1	2
2	1000	185	1	2

GALINO 23_MX

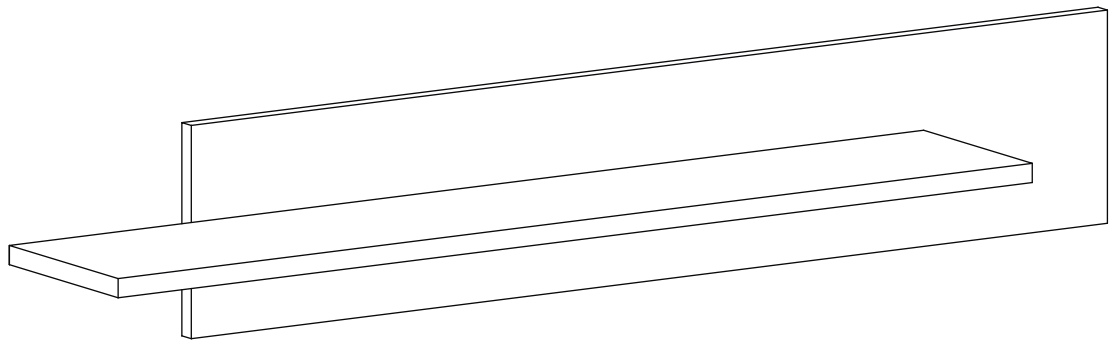
ZM1 x4		D20 x8	 ESØ6x9,5	B11 x12	 Ø7x50	G4 x12		KR2 x4		G2 x1	
-----------	---	-----------	---	------------	--	-----------	---	-----------	---	----------	---



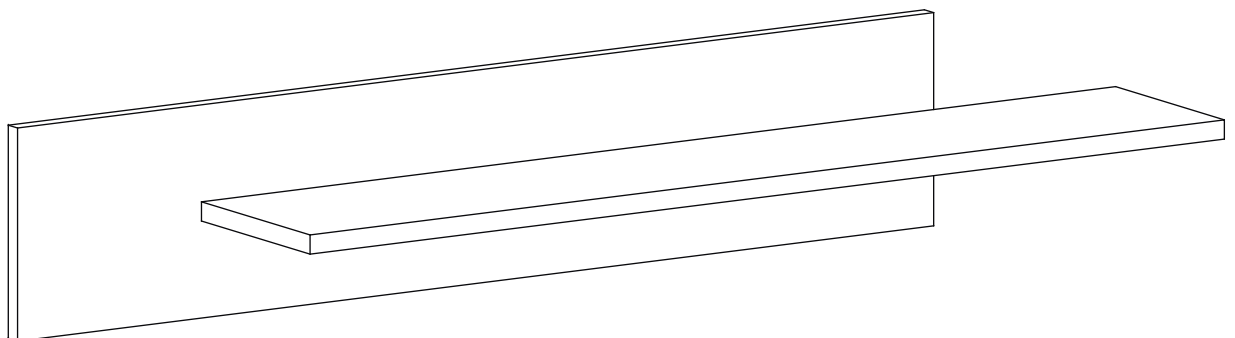
1-3



4-6

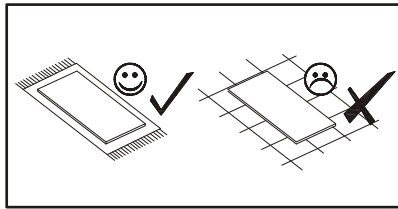


7-9

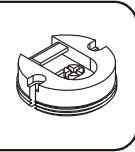


GALINO 23_MX

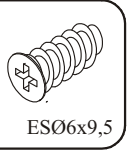
1



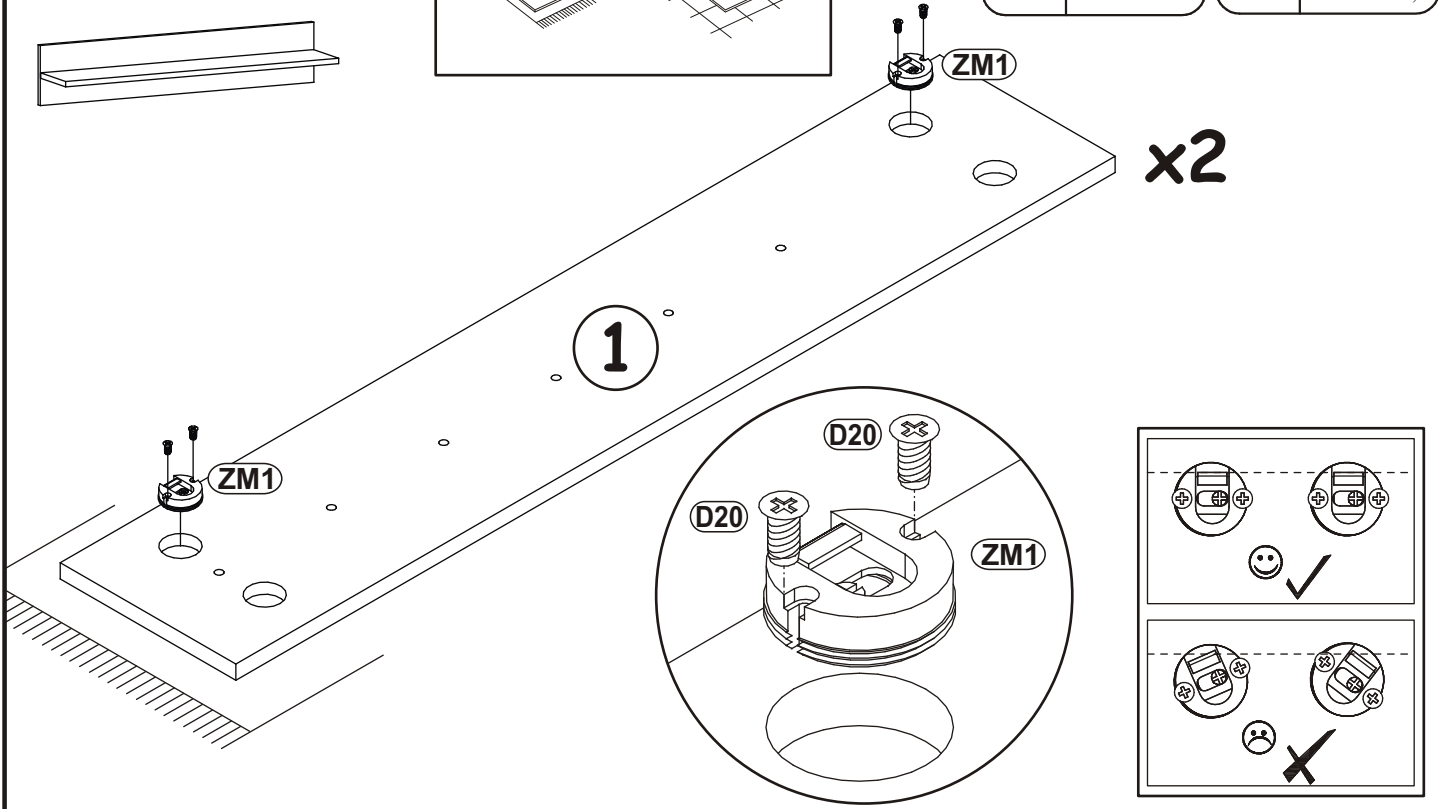
ZM1
x4



D20
x8

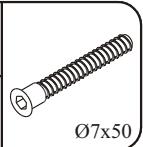


ESØ6x9,5



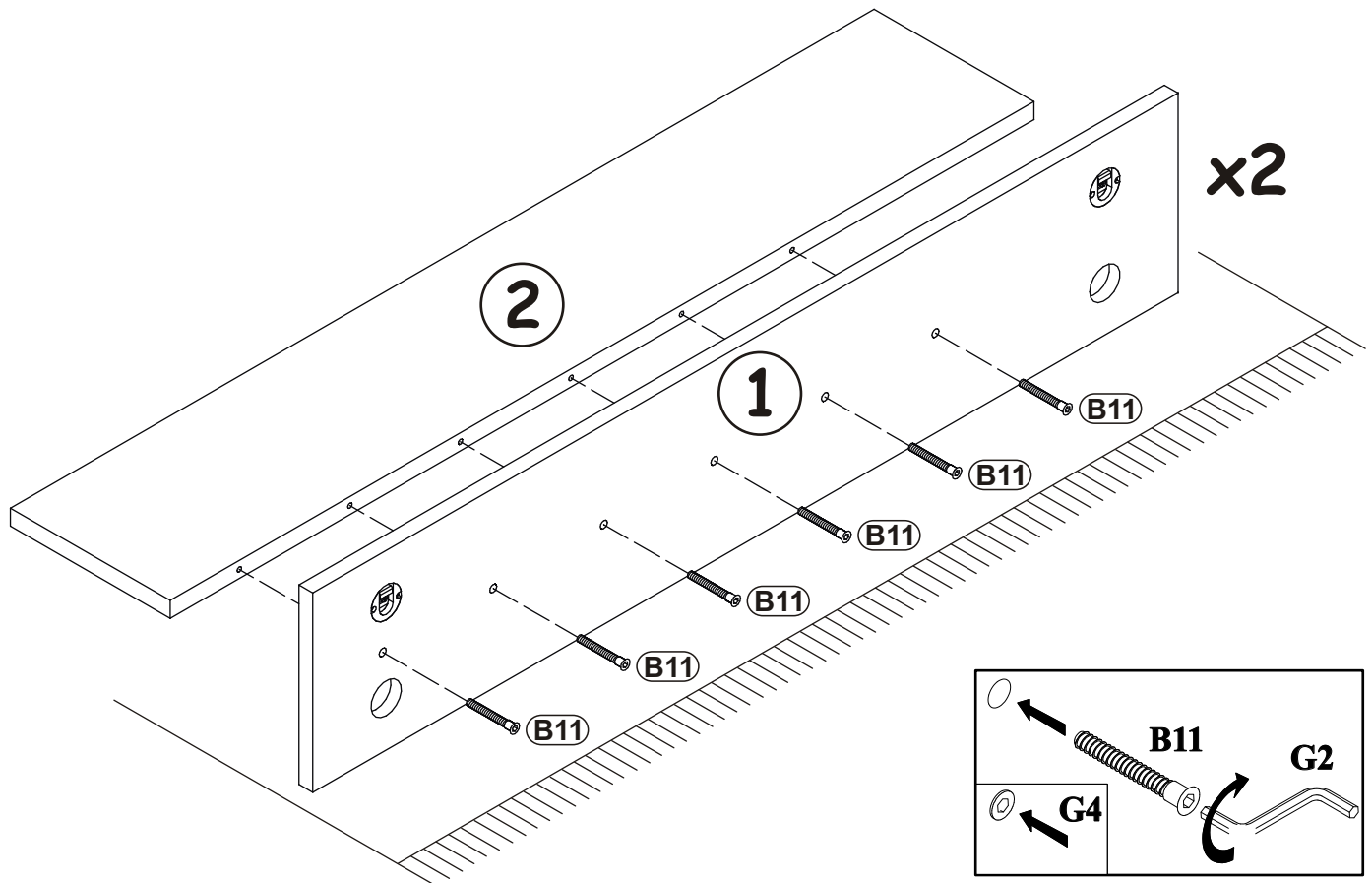
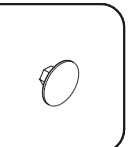
2

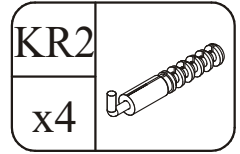
B11
x12



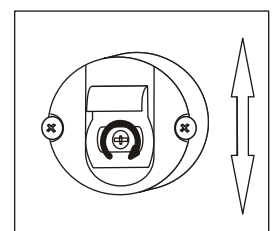
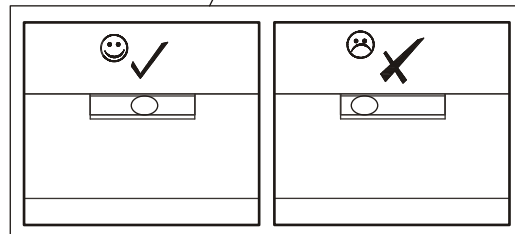
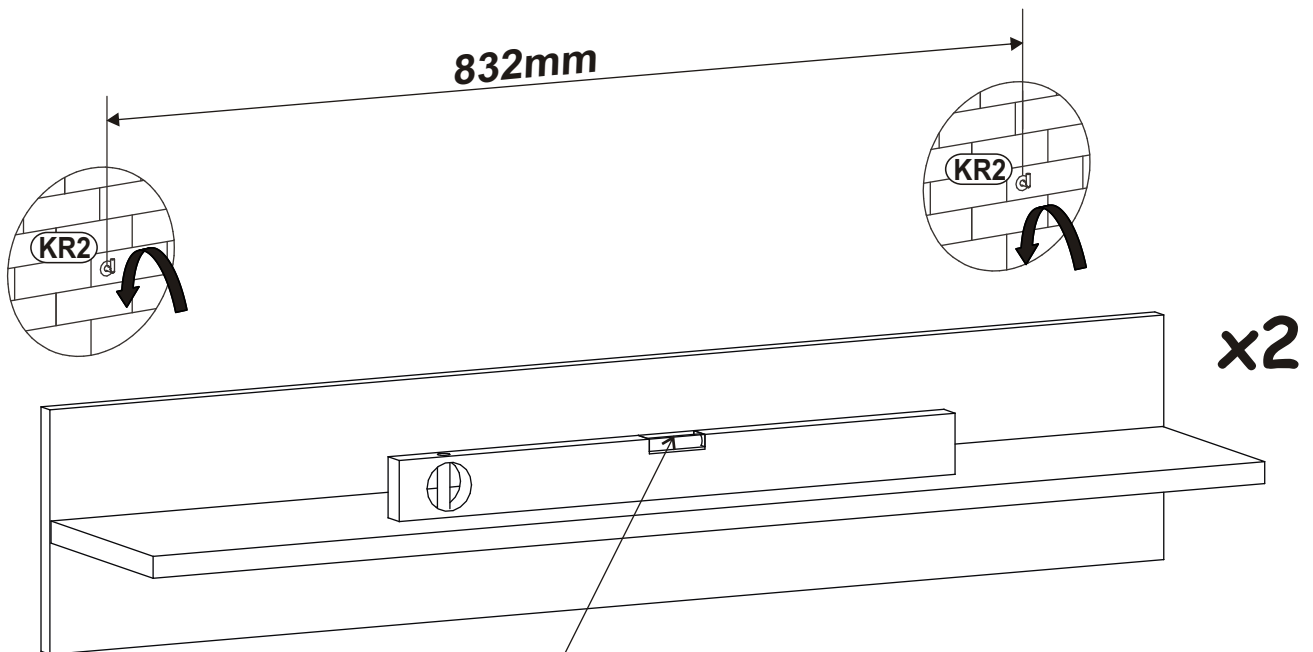
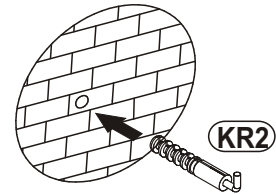
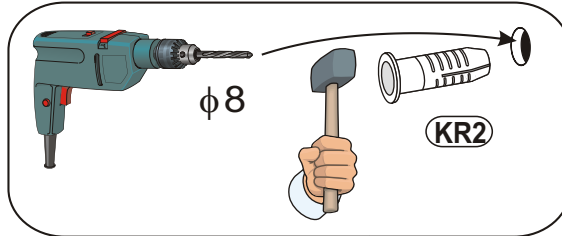
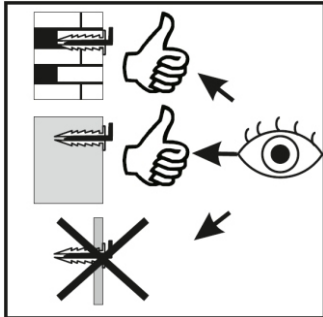
Ø7x50

G4
x12

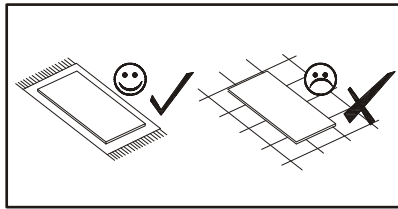




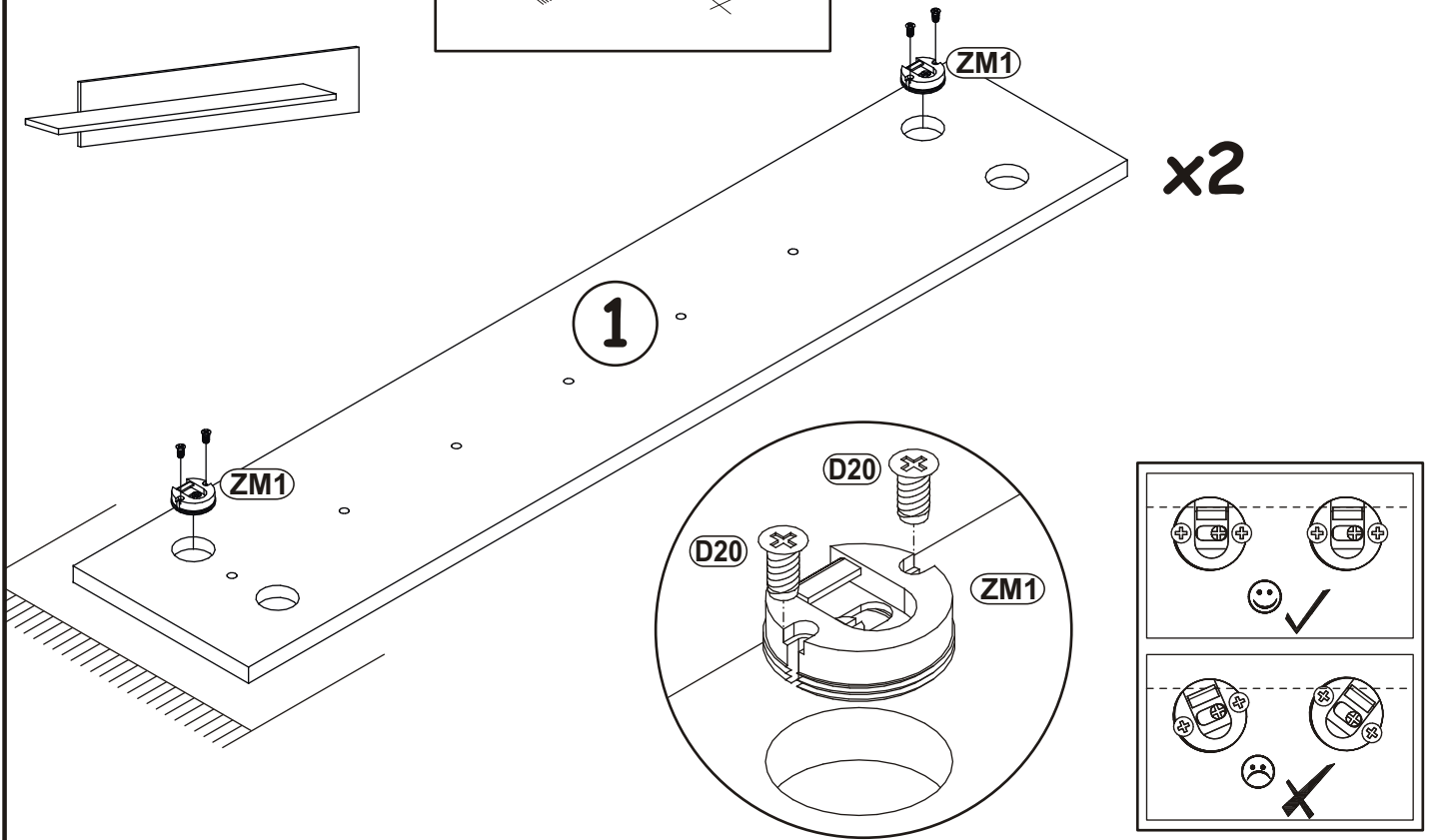
3



4

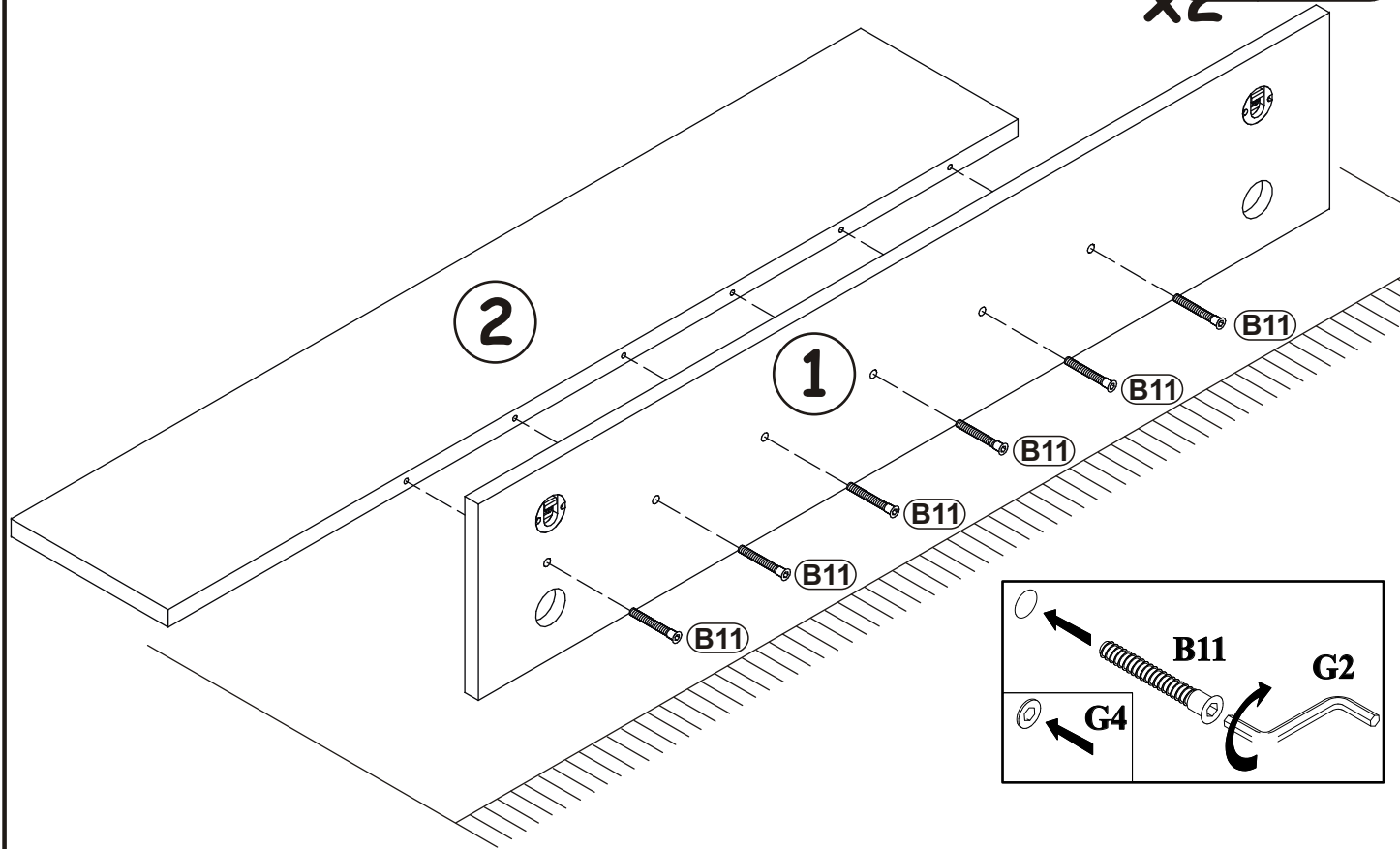


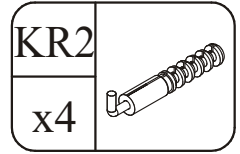
ZM1		D20	
x4		x8	ESØ6x9,5



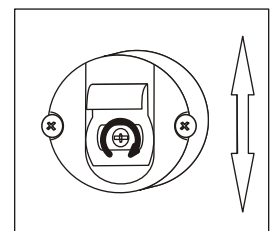
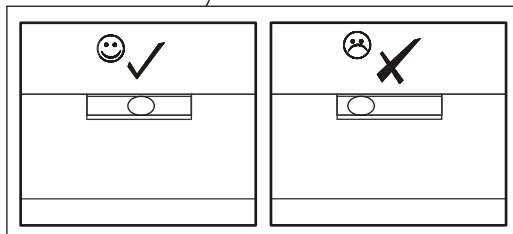
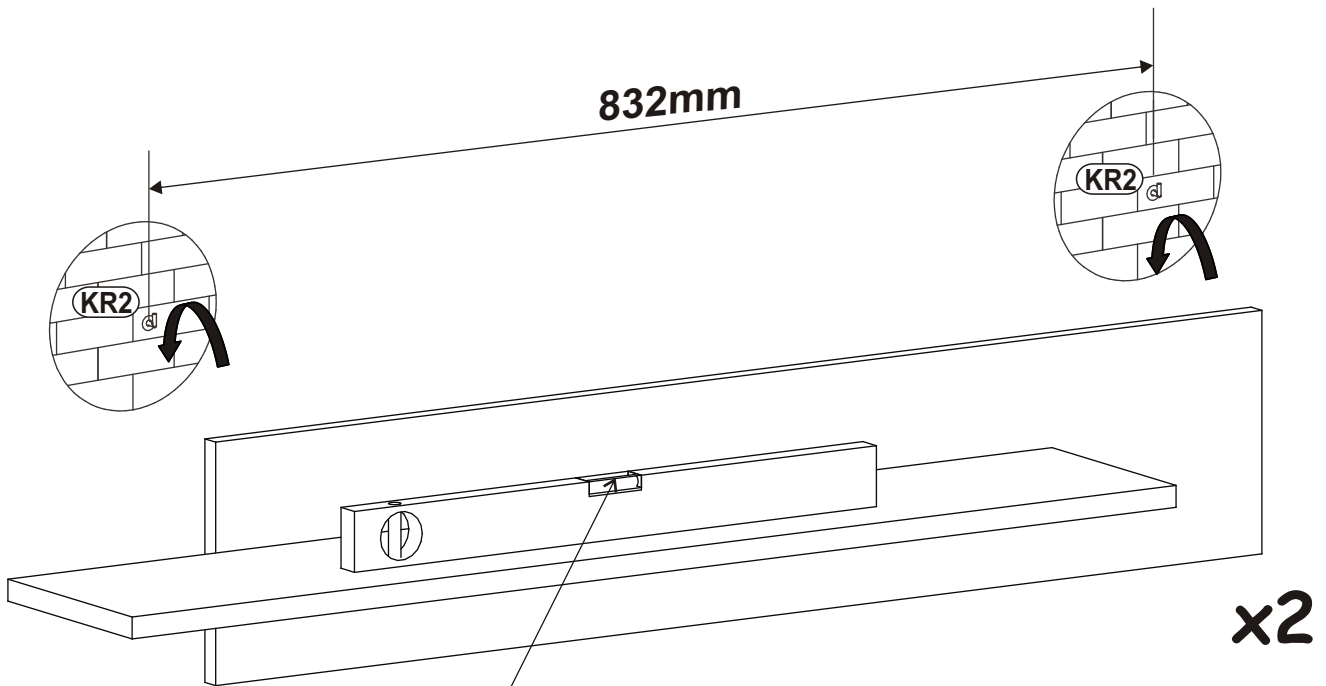
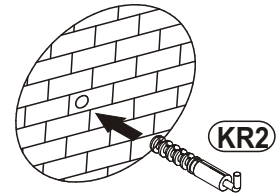
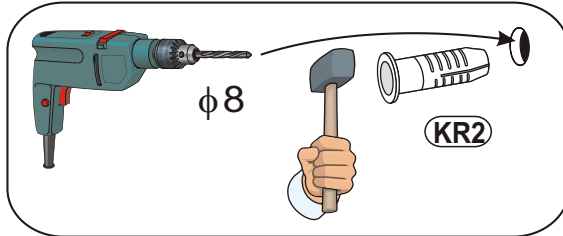
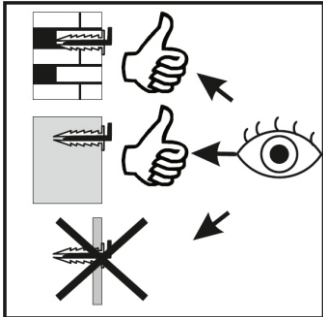
5

B11		G4	
x12	Ø7x50	x12	

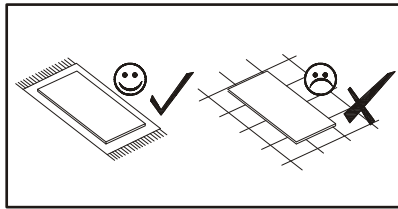




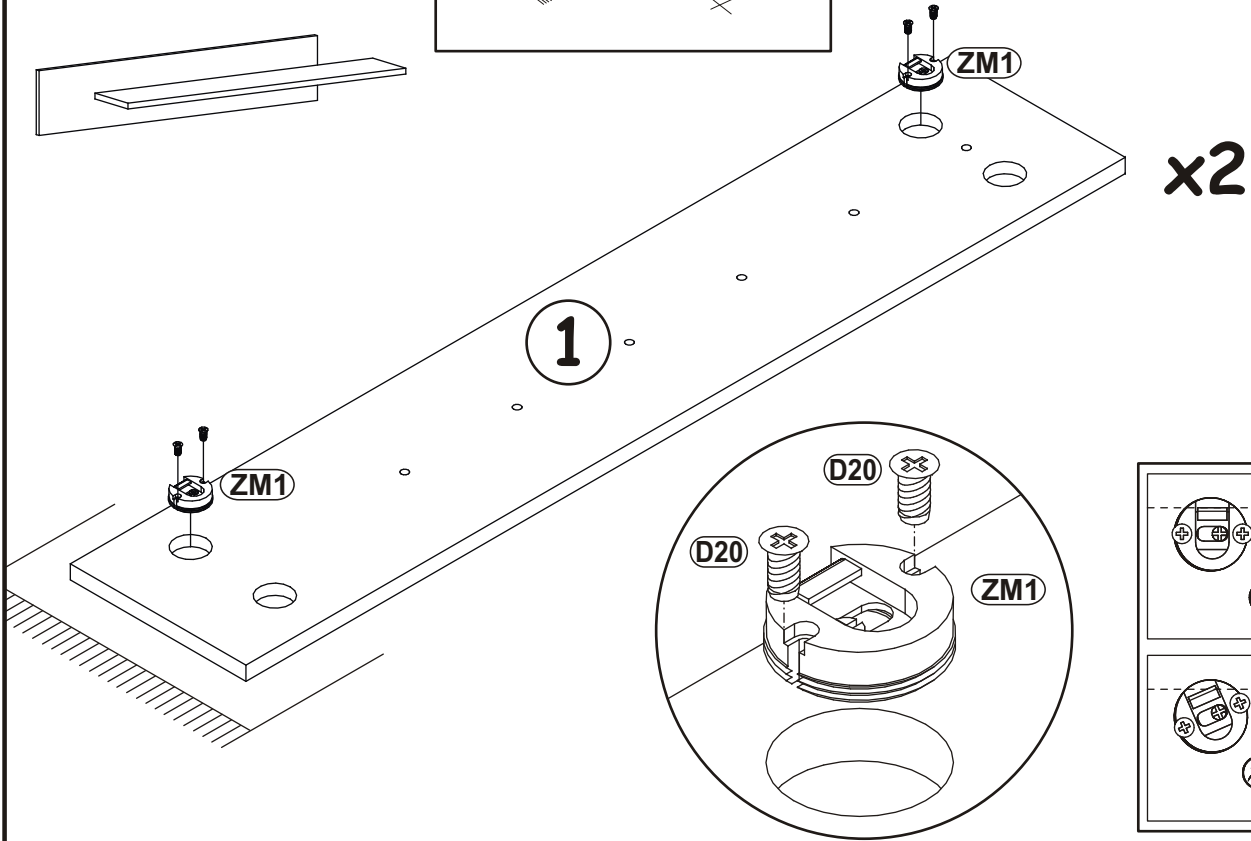
6



7

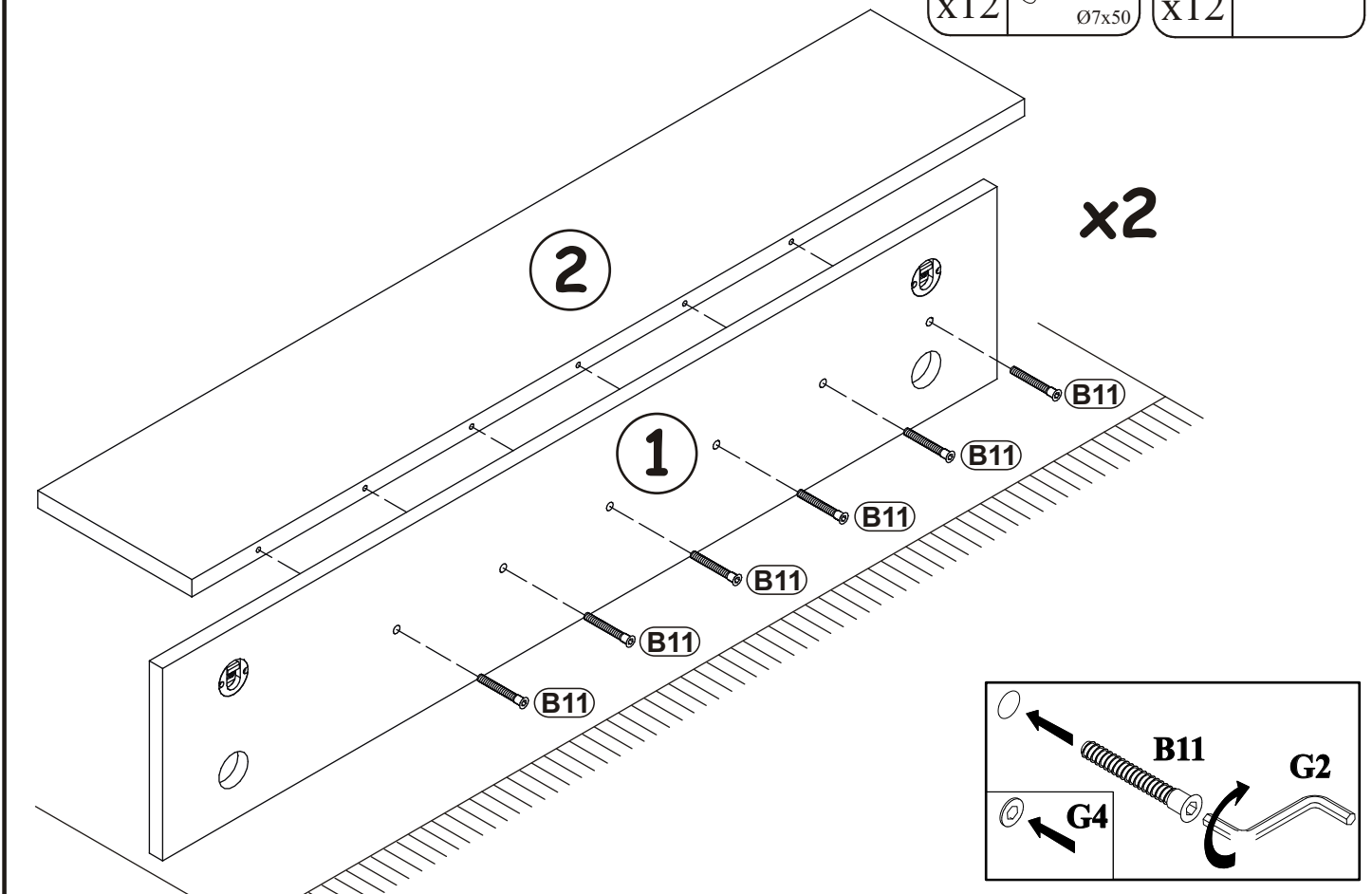


ZM1		D20	
x4		x8	ESØ6x9,5



8

B11		G4	
x12	Ø7x50	x12	



9

