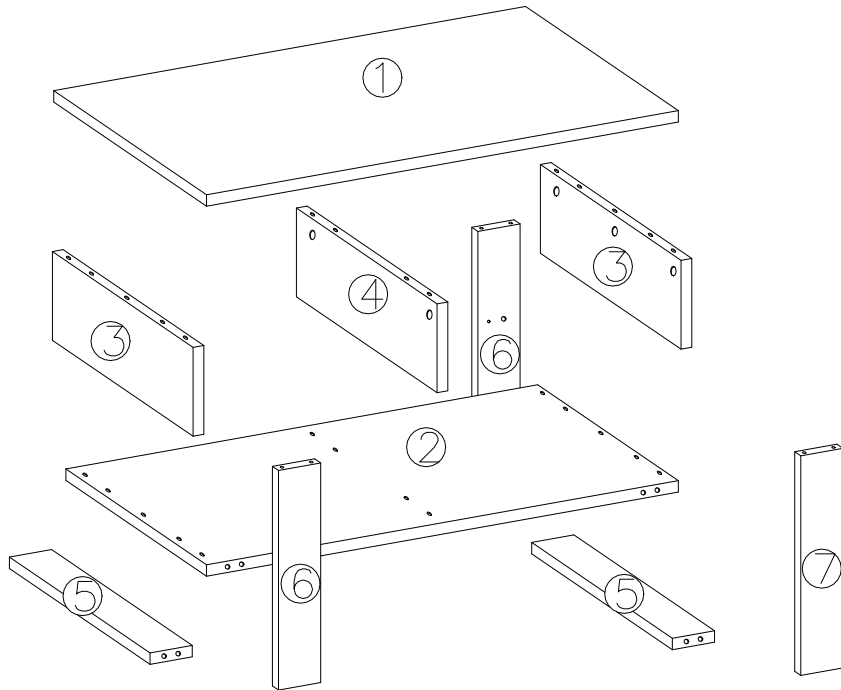
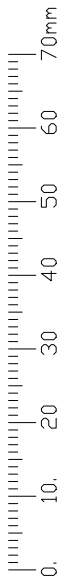
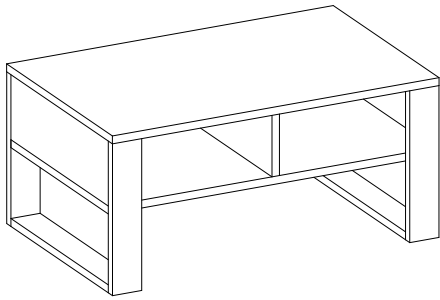

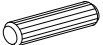



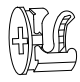


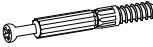
LUCA 90



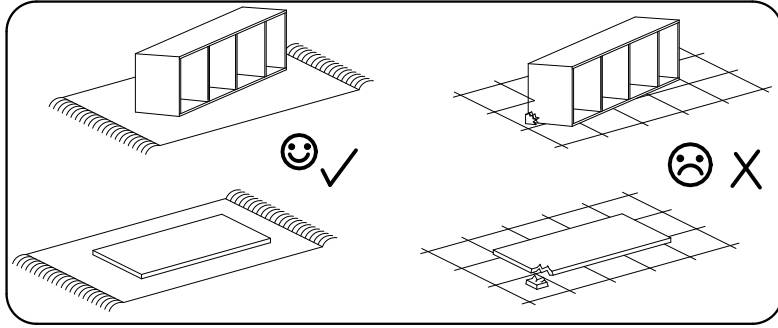
A1  ø7x50	8x	B1  ø8x30	28x
--	----	--	-----


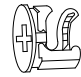

P4  4x	4x	W2  4mm	1x
---	----	--	----

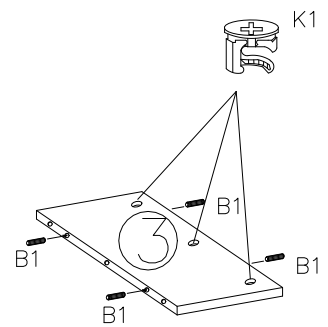
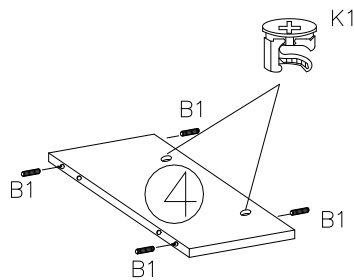
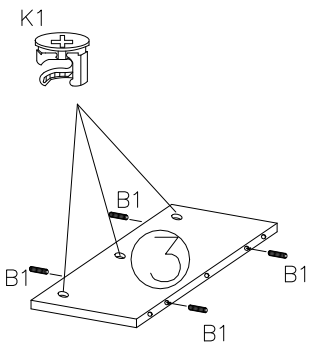
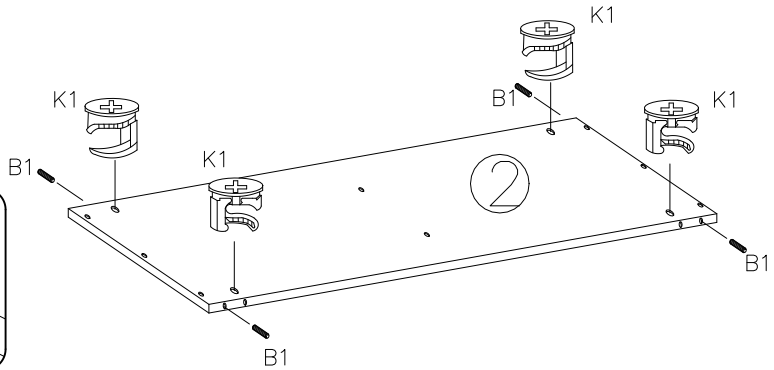
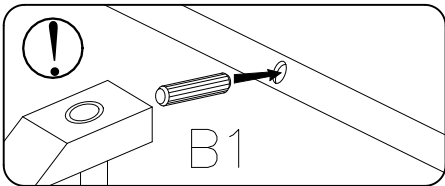
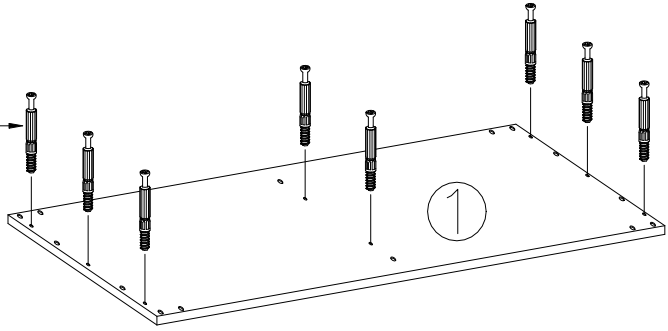
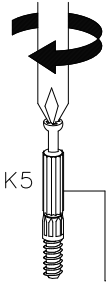
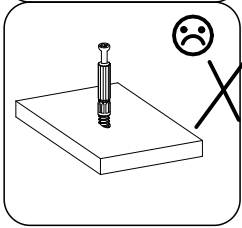
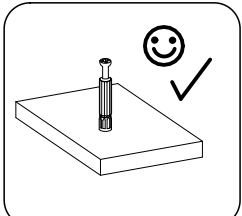
I7  ø18	24x	K1  4mm	16x
--	-----	--	-----

K5  16x	16x
--	-----


1




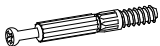
B1		
ø8x30		16x
K1		
4mm		12x
K5		
		8x

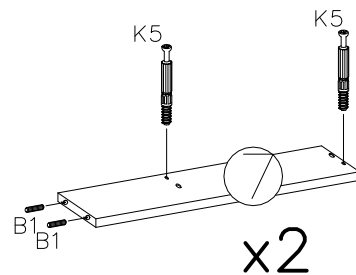
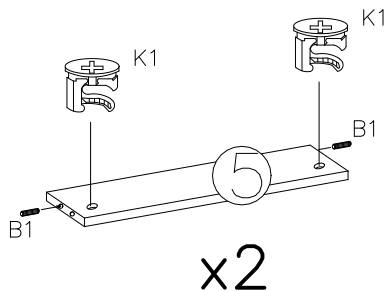
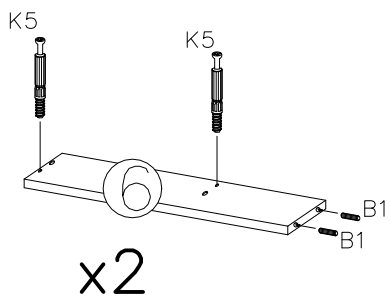


2


B1 
ø8x30 12x

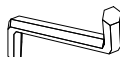
K1 
4mm 4x

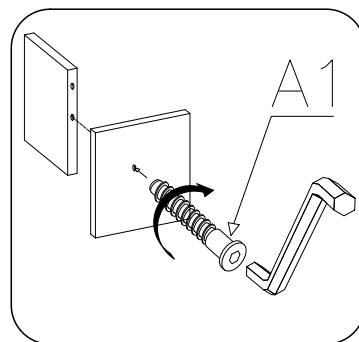
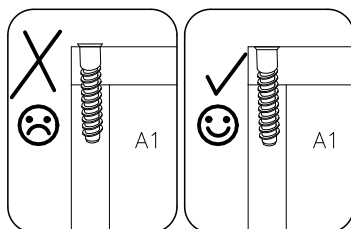
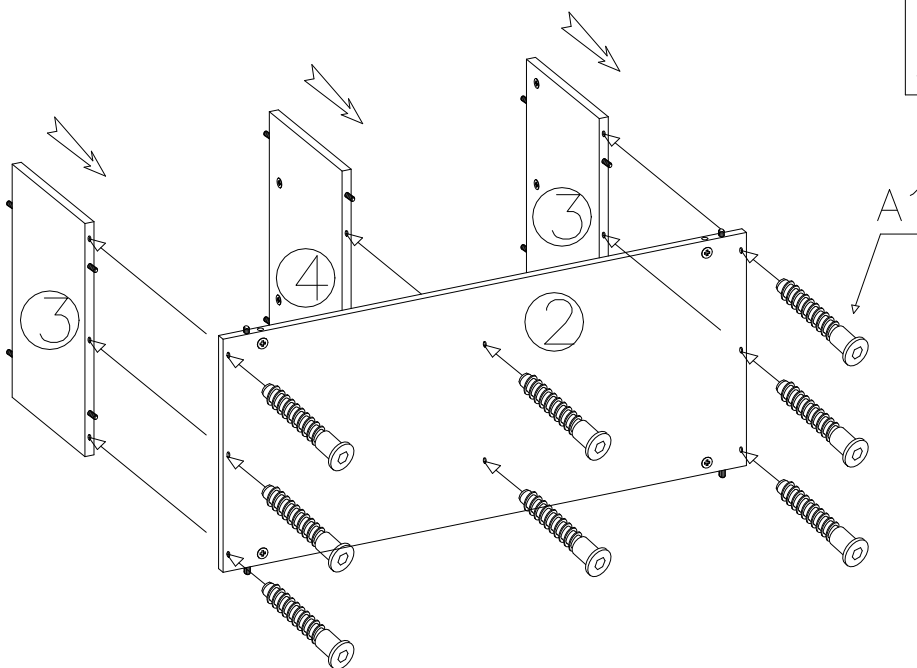
K5 
8x 8x



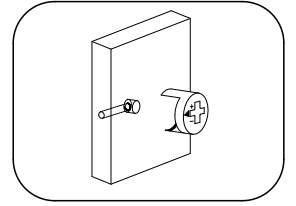
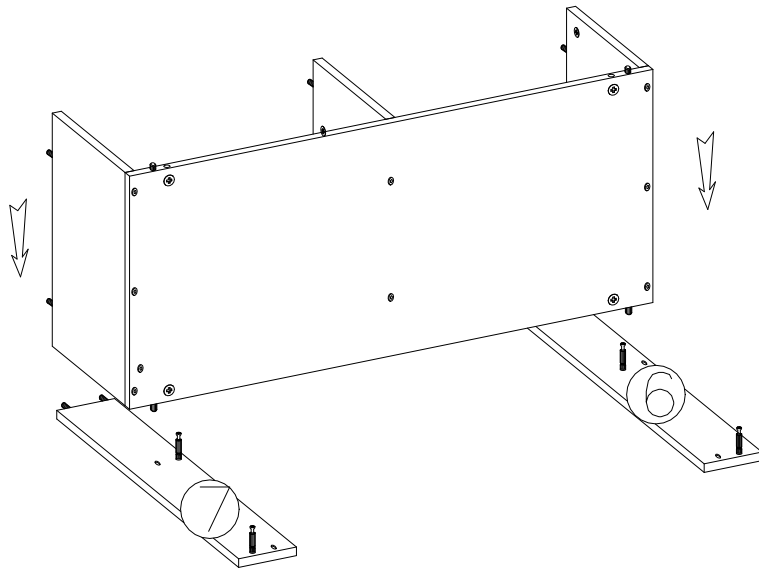
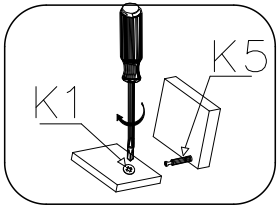
3

A1 
ø7x50 8x

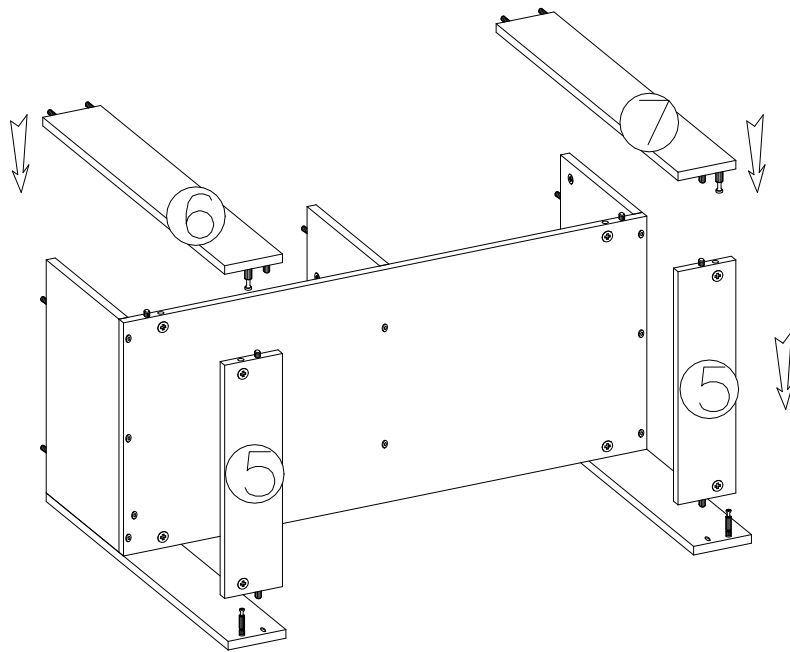
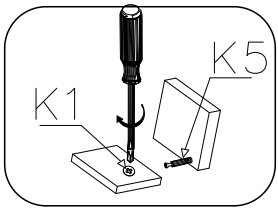
W2 
4mm 1x



4



5



6

