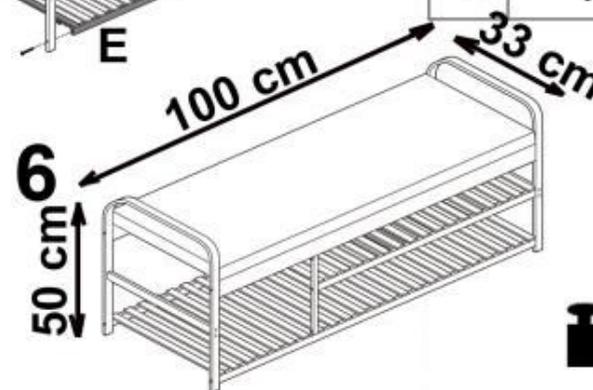
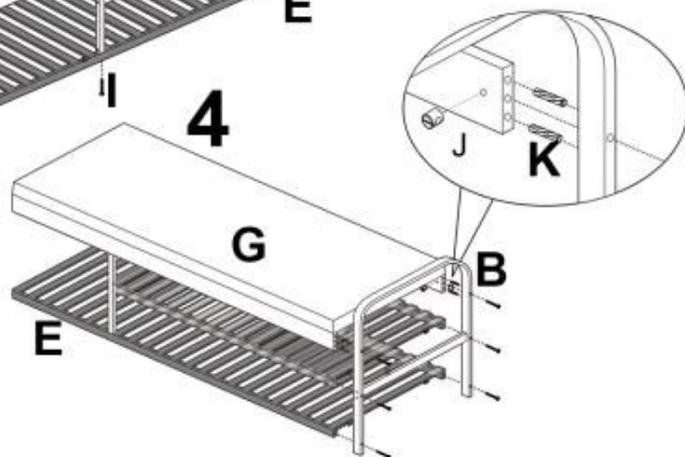
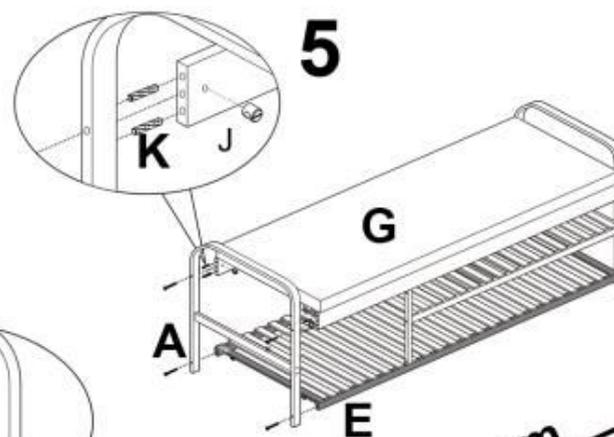
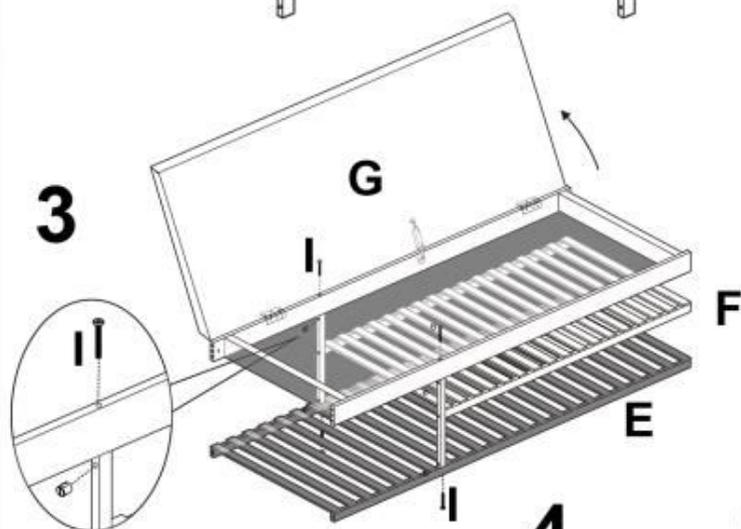
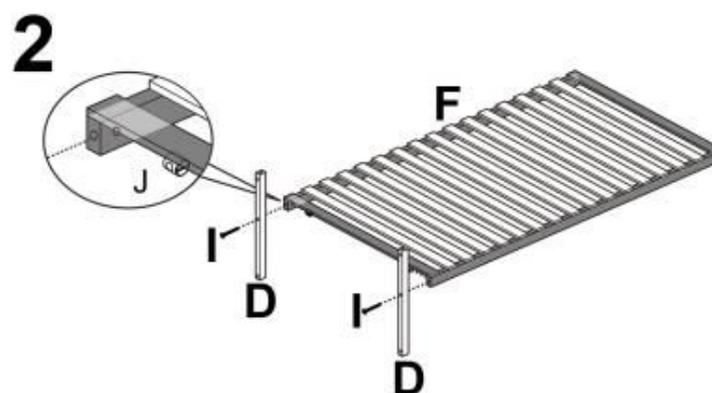
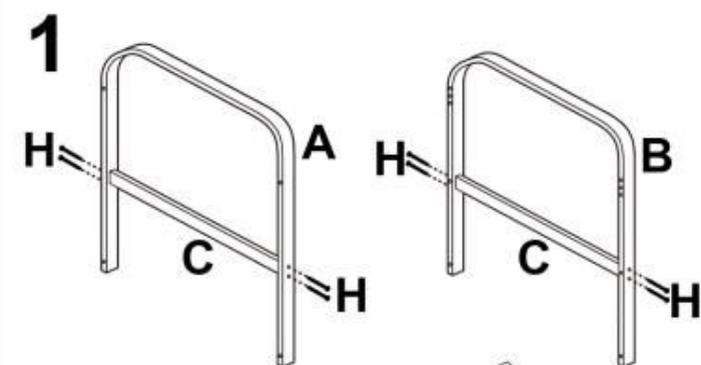


ST-13



| | | |
|---|--|----|
| A | | 1 |
| B | | 1 |
| C | | 2 |
| D | | 2 |
| E | | 1 |
| F | | 1 |
| G | | 1 |
| H | | 8 |
| I | | 16 |
| J | | 16 |
| K | | 8 |

max. 60 kg

v.2

HALMAR Sp. z o.o.

ul. Centralnego Okręgu Przemysłowego 2, 37-450 Stalowa Wola, POLSKA / POLAND
tel. +48 15 843 28 10, fax: +48 15 842 19 57, e-mail: office@halmar.com.pl